



DUAL BAND Mobile Cellular Phone SGH-N620

SERVICE *Manual*

DUAL BAND Mobile Cellular Phone



CONTENTS

1. Exploded Views and Parts List
2. PCB Diagrams
3. Electrical Parts List
4. Block Diagrams
5. Flow chart of trouble shooting

1. Exploded Views and Parts List

- 1-1 **Main**
- 1-2 **Main Parts List**
- 1-3 **Travel Adapter**
- 1-4 **Travel Adapter Parts List**
- 1-5 **Battery Charger**
- 1-6 **Test Jig**
 - 1-6-1 **Test Jig**
- 1-7 **normal EAR Microphone**
- 1-8 **Data Kit**

2. PCB Diagrams

- 2-1 **Main Top**
- 2-2 **Main Bottom**

3. Electrical Parts List

- 3-1 **Main Parts List Top**
- 3-2 **Main Parts List Bottom**

4. Block Diagrams

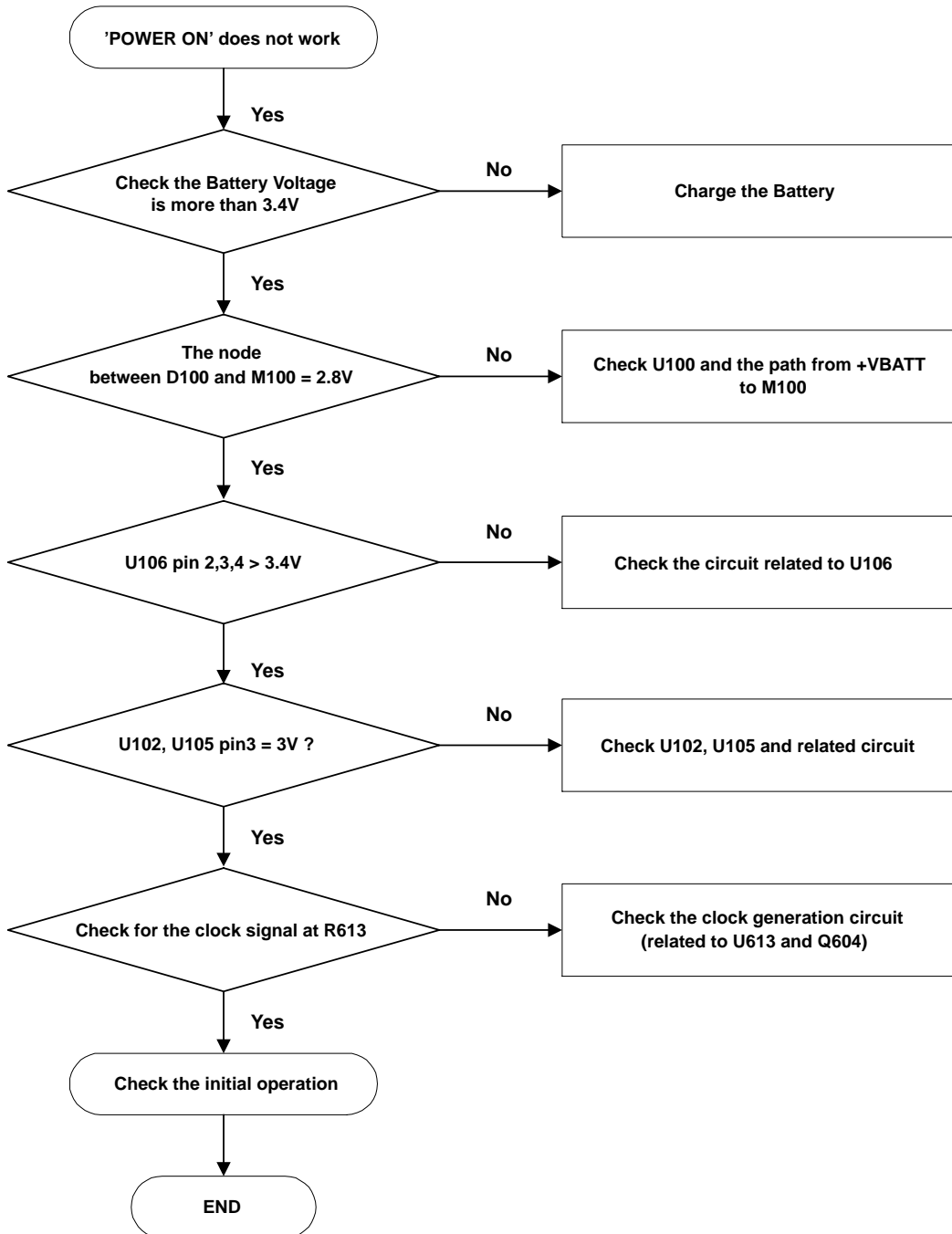
- 4-1 **Main Base Band**
- 4-2 **Main RF**
 - 4-2-1 **RF Tx Part**
 - 4-2-2 **RF Rx Part**

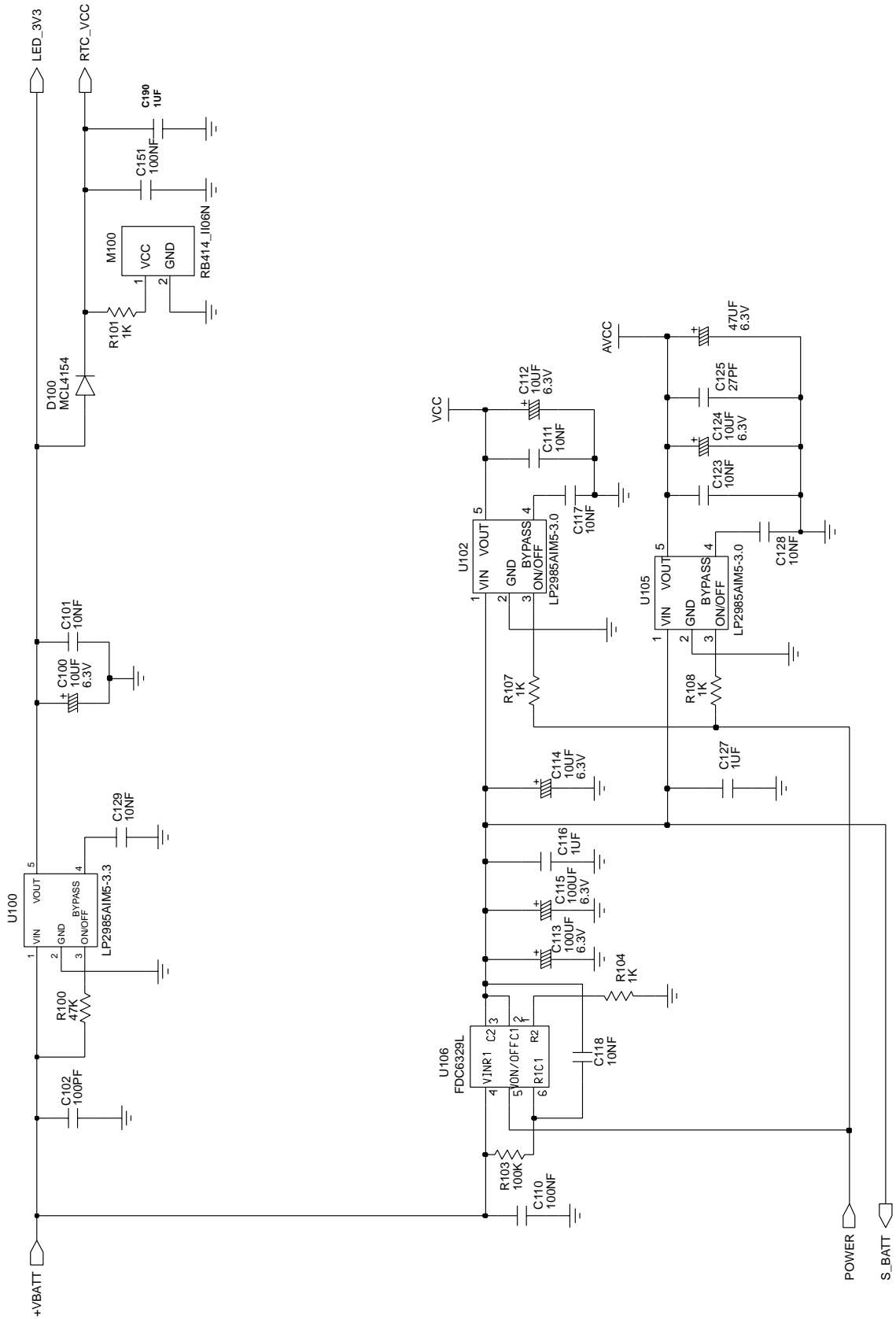
5. Flow chart of trouble shooting

- 5-1 **Power ON**
 - 5-2 **Initial**
 - 5-3 **Charging Part**
 - 5-4 **Sim Part**
 - 5-5 **Microphone Part**
 - 5-6 **Speaker Part**
 - 5-7 **Key Data Input**
 - 5-8 **Alert tone**
 - 5-9 **Ring Indicator**
 - 5-10 **Back Light**
 - 5-11 **GSM Receiver**
 - 5-12 **GSM Transmit**
 - 5-13 **DCS Receiver**
 - 5-14 **DCS Transmit**
-

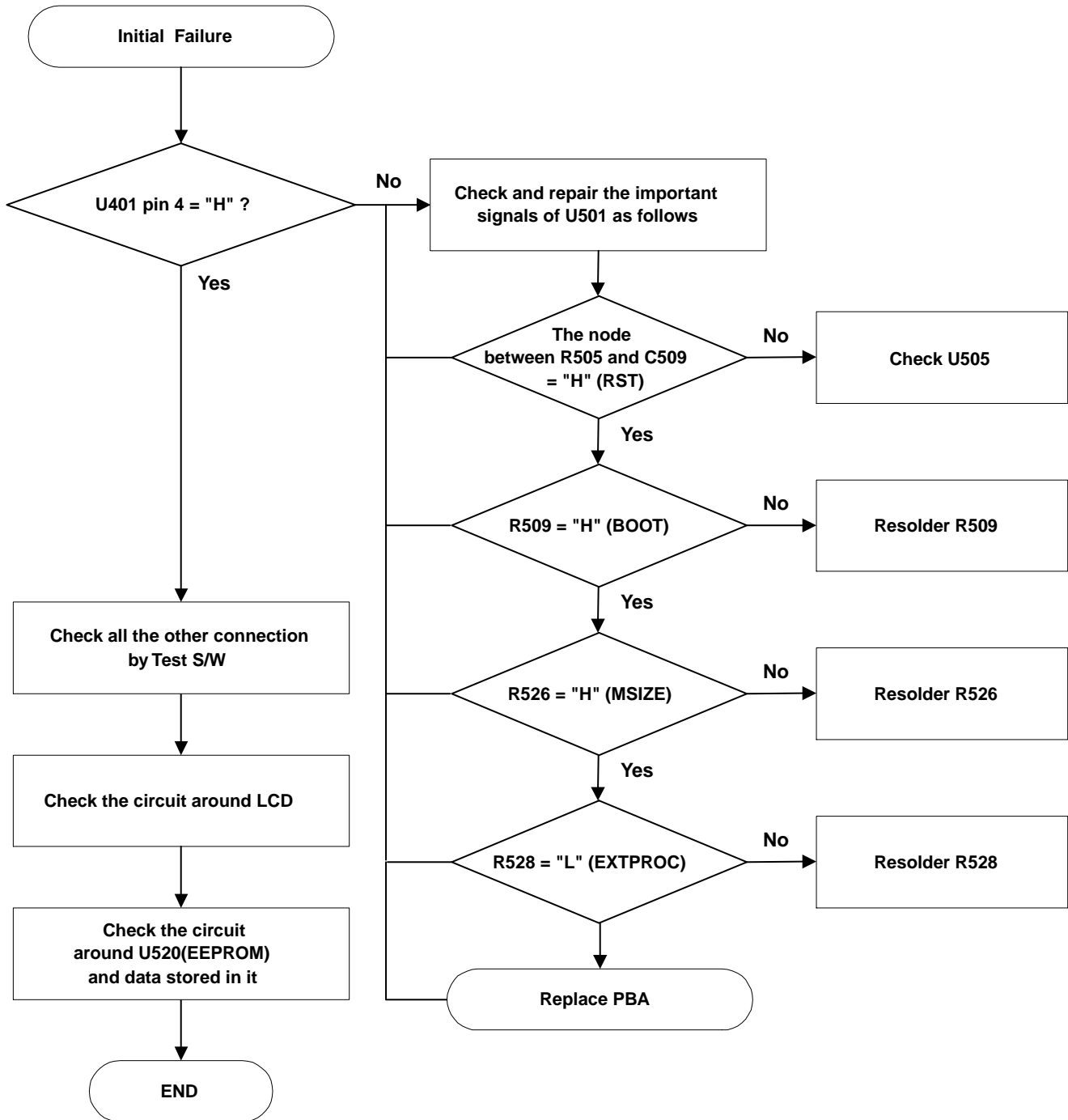
5. Flow chart of trouble shooting

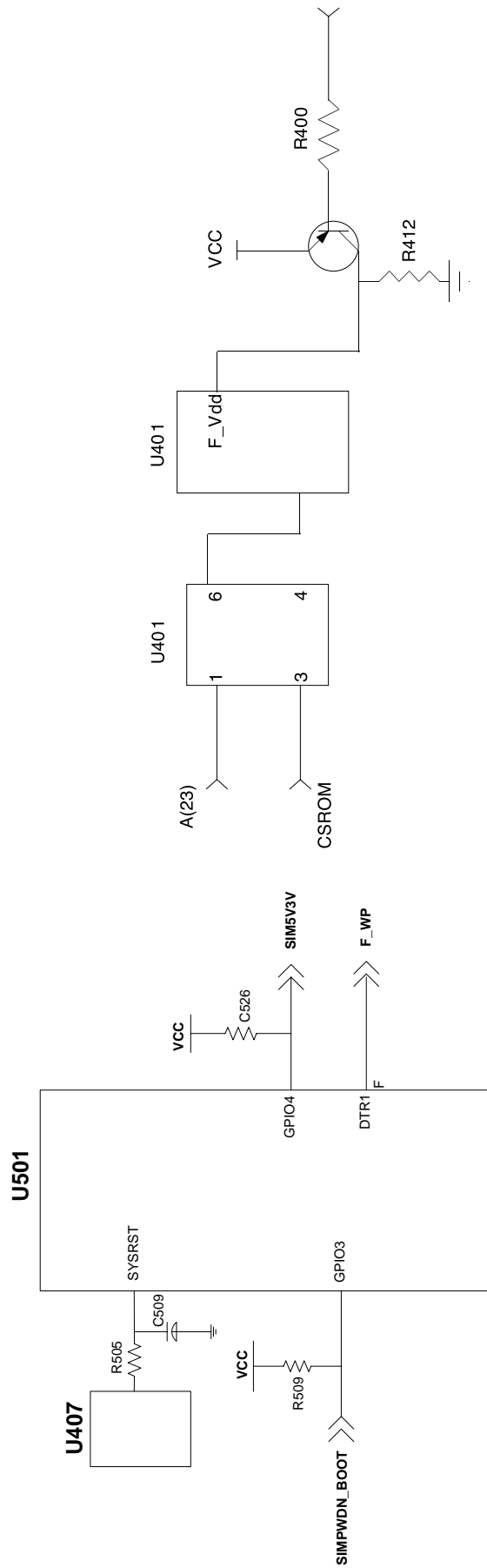
5-1 Power ON



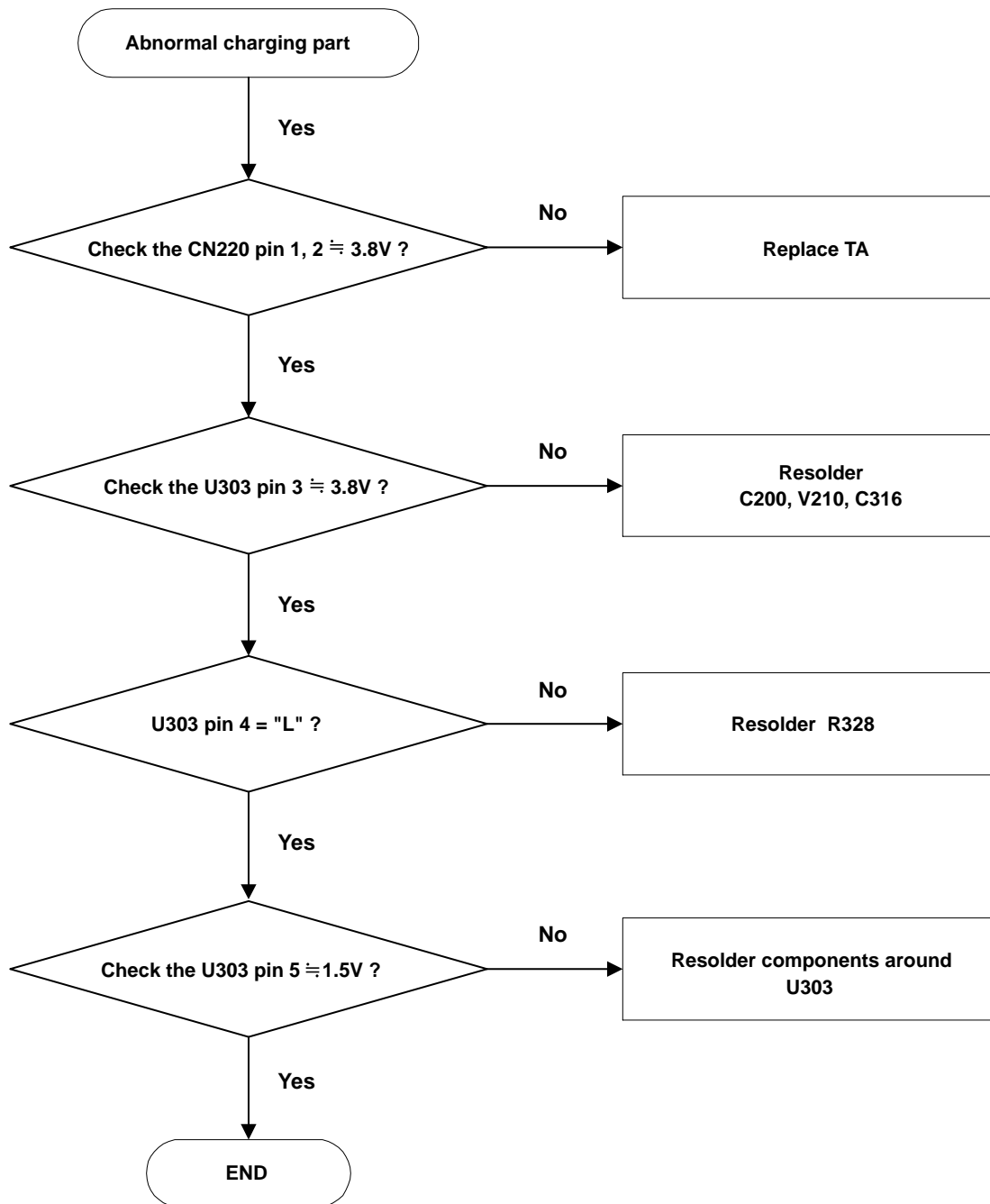


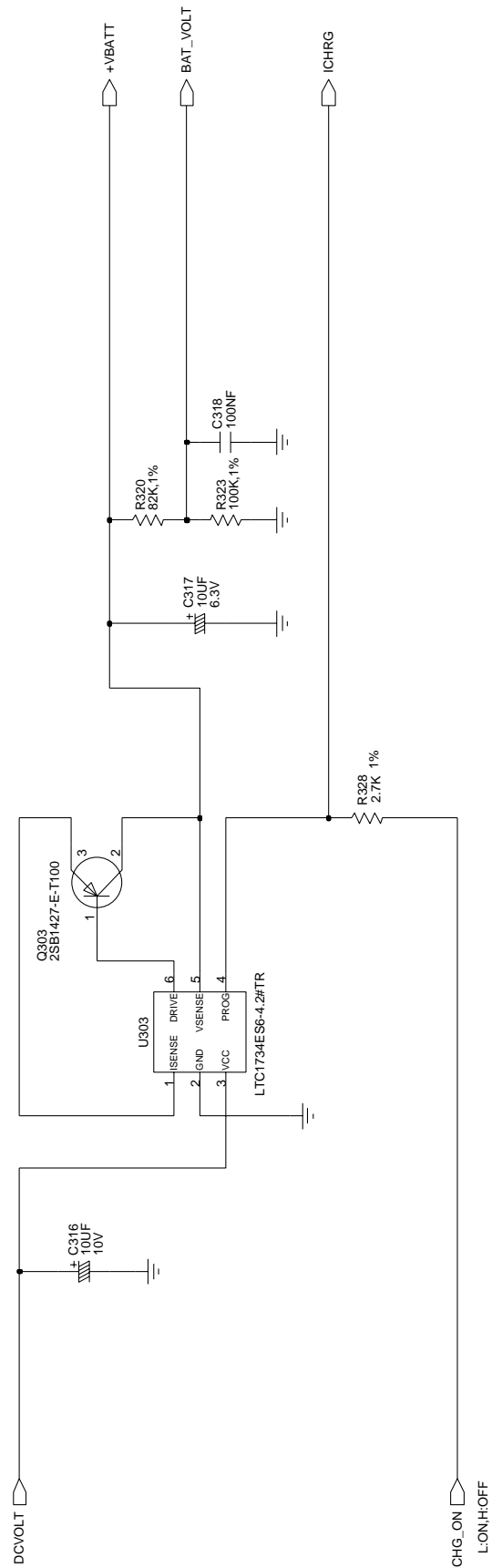
5-2 Initial



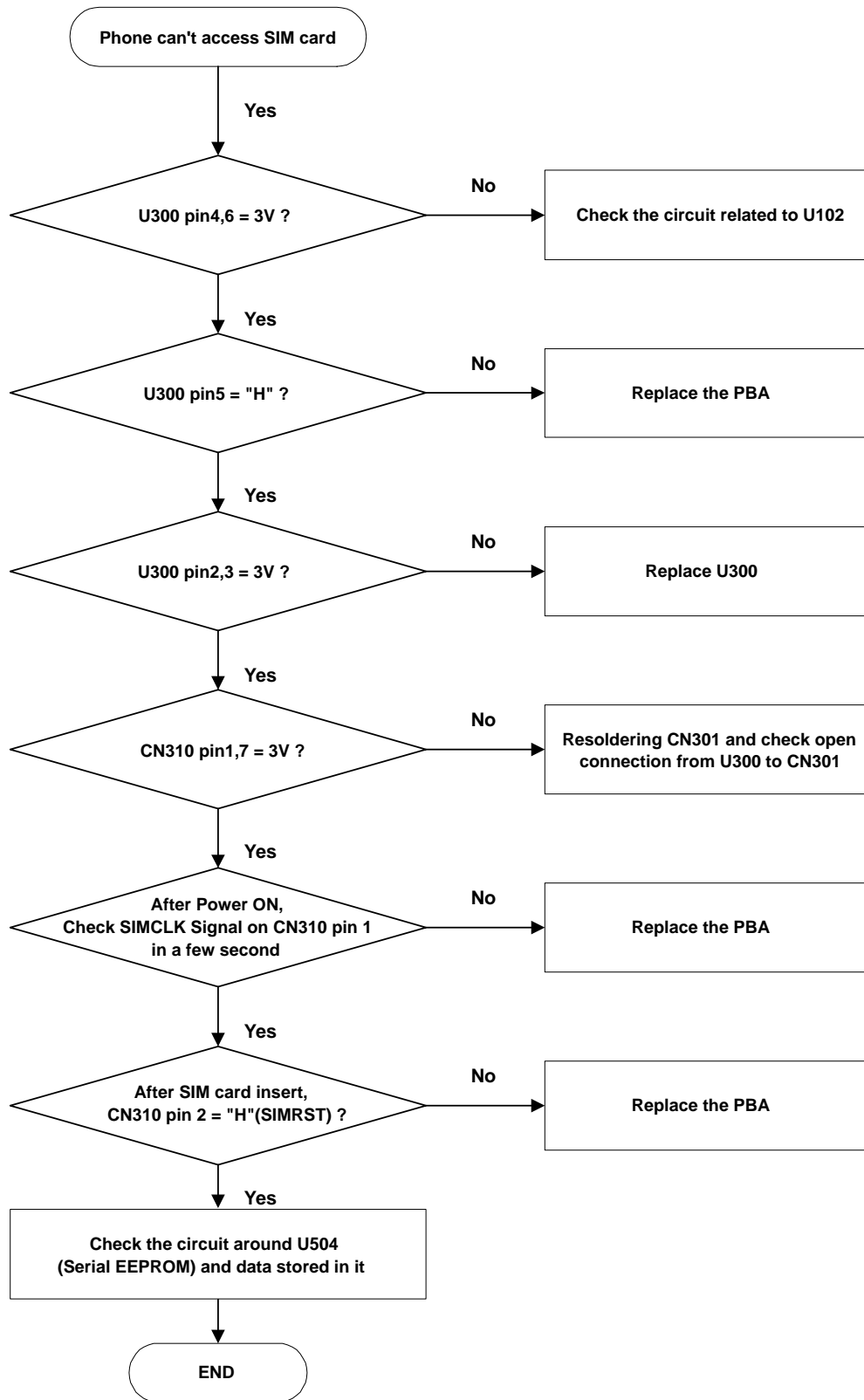


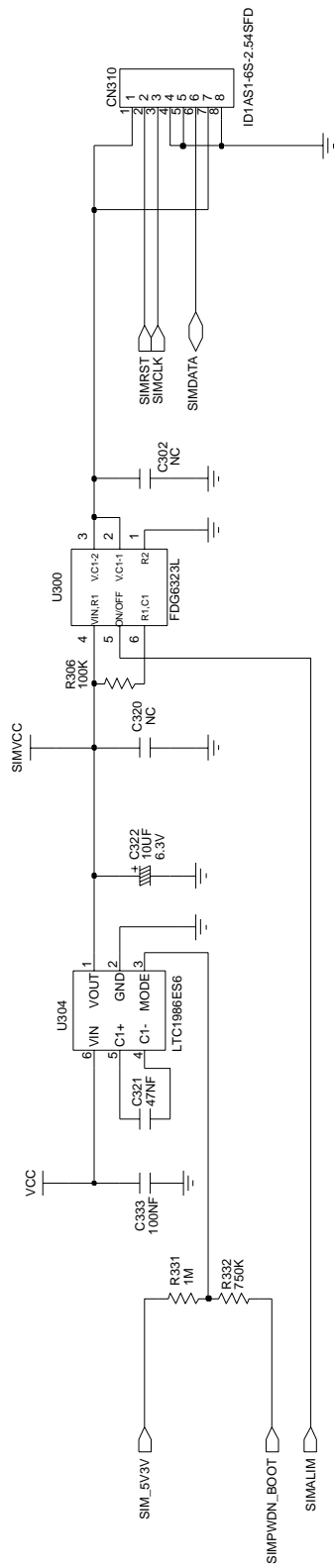
5-3 Charging Part



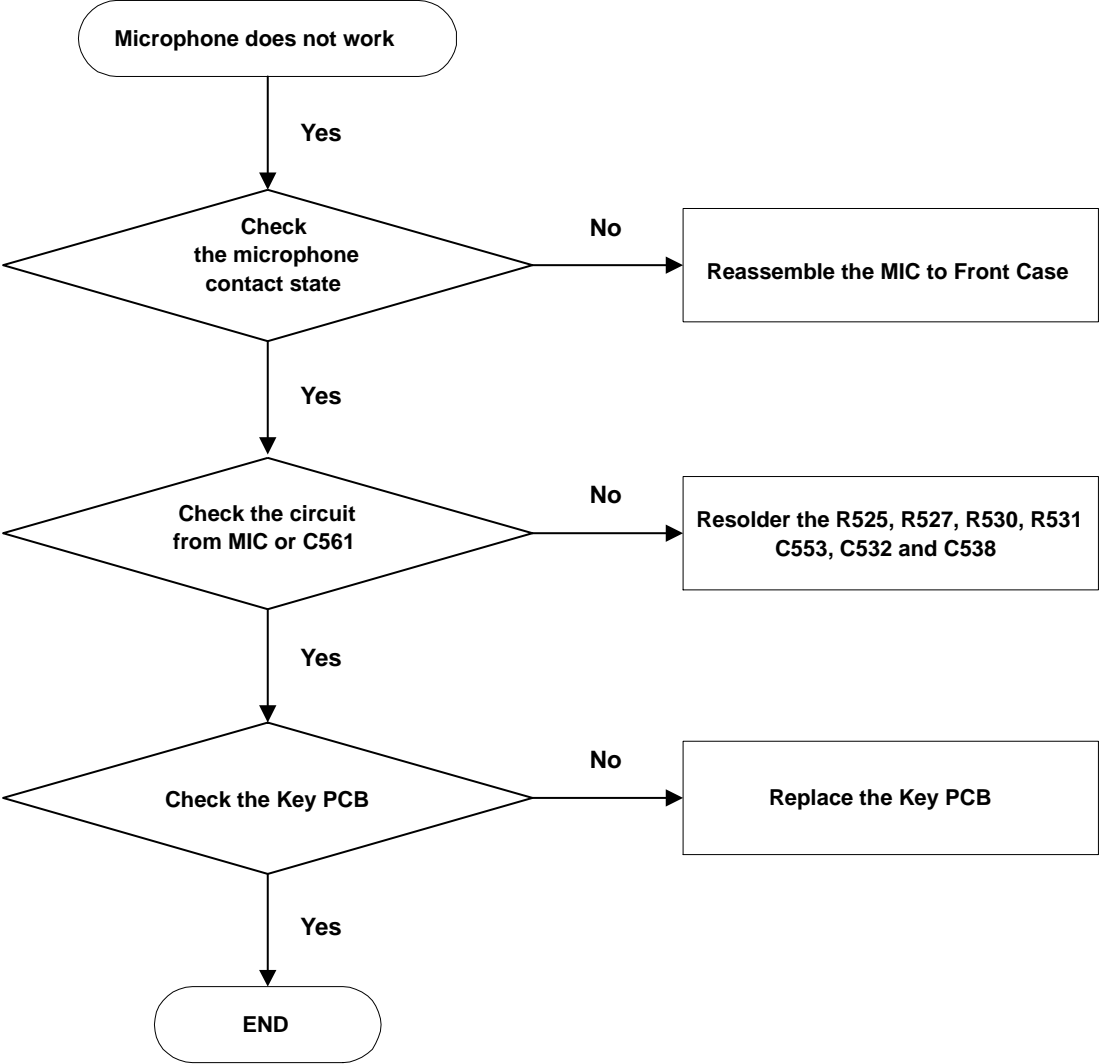


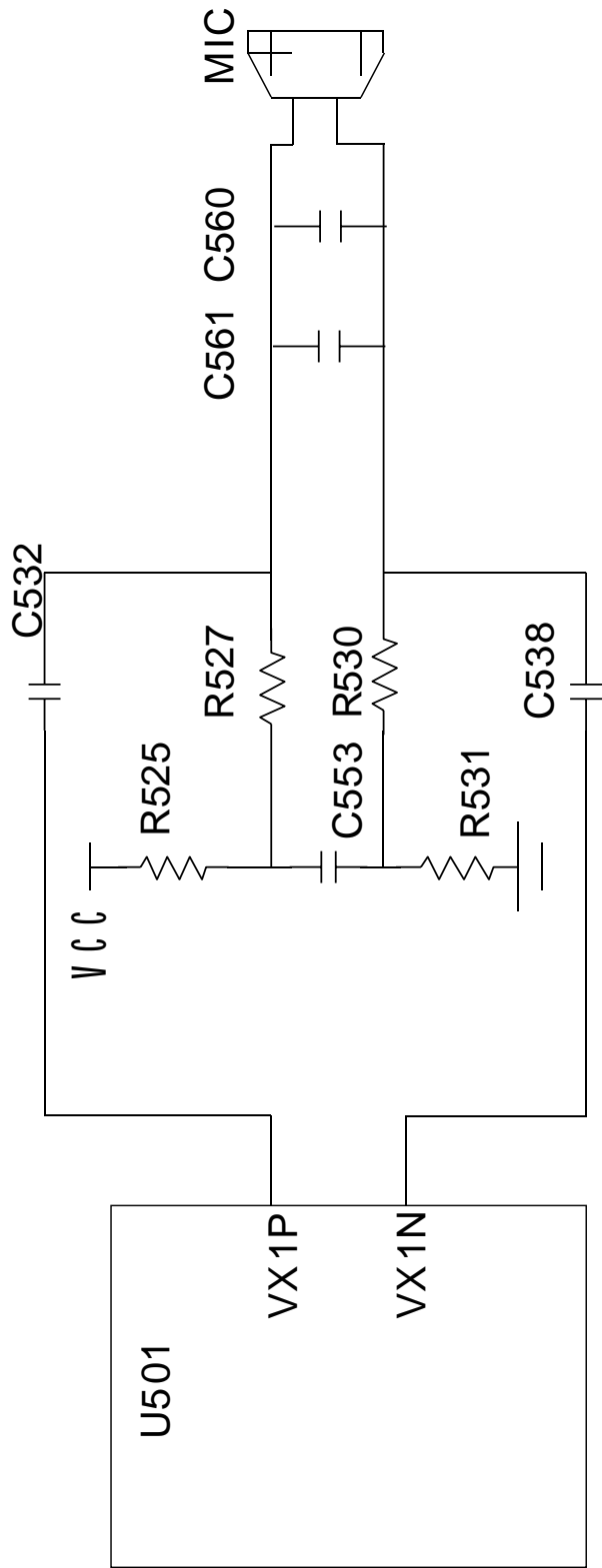
5-4 Sim Part



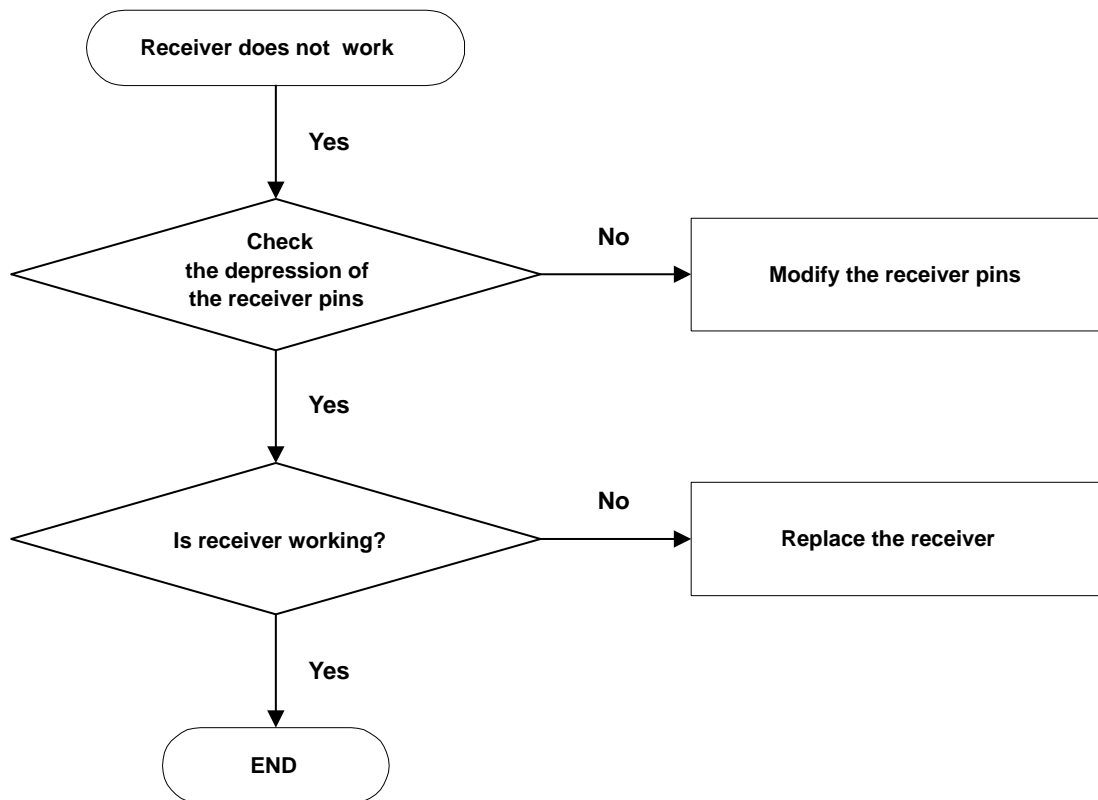


5-5 Microphone Part

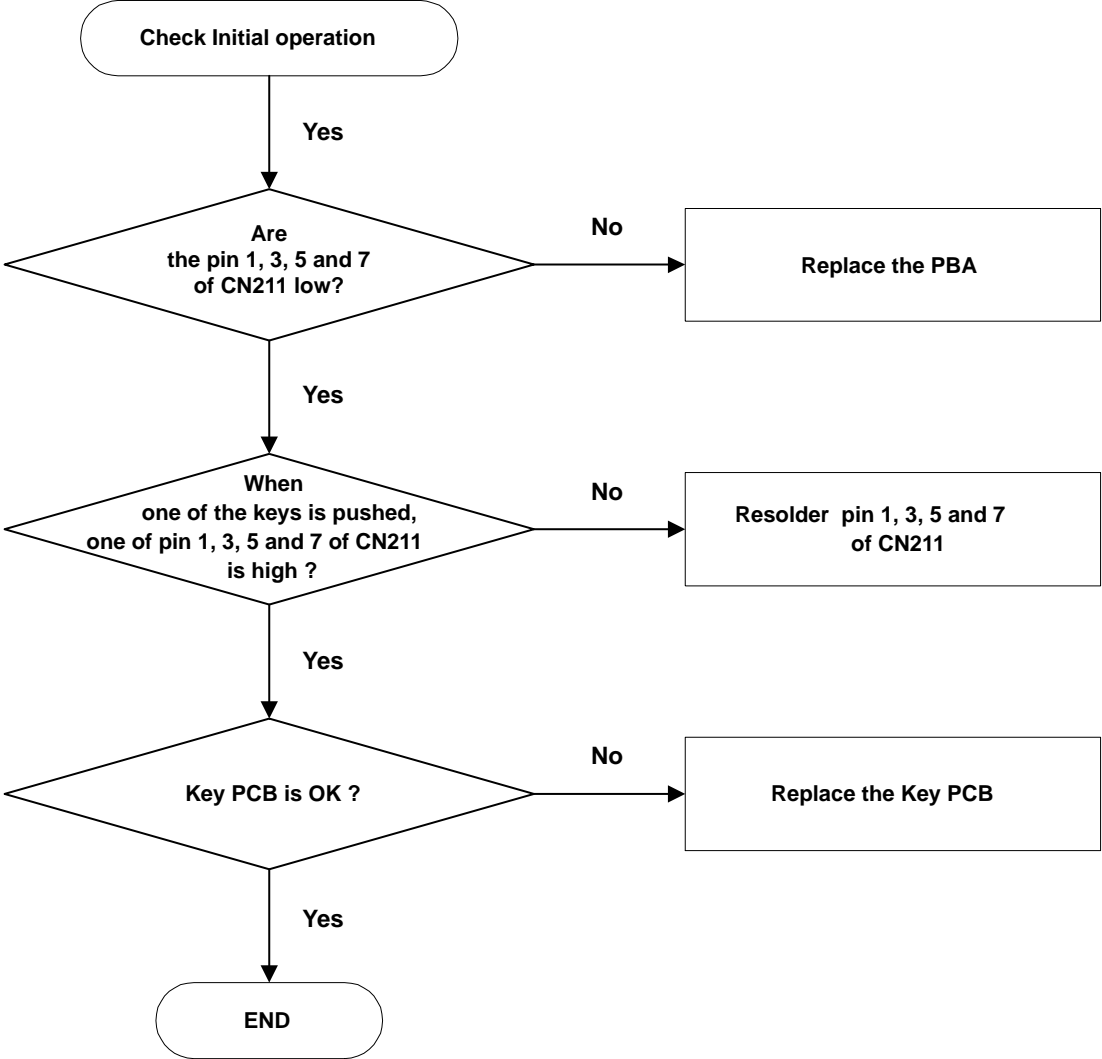


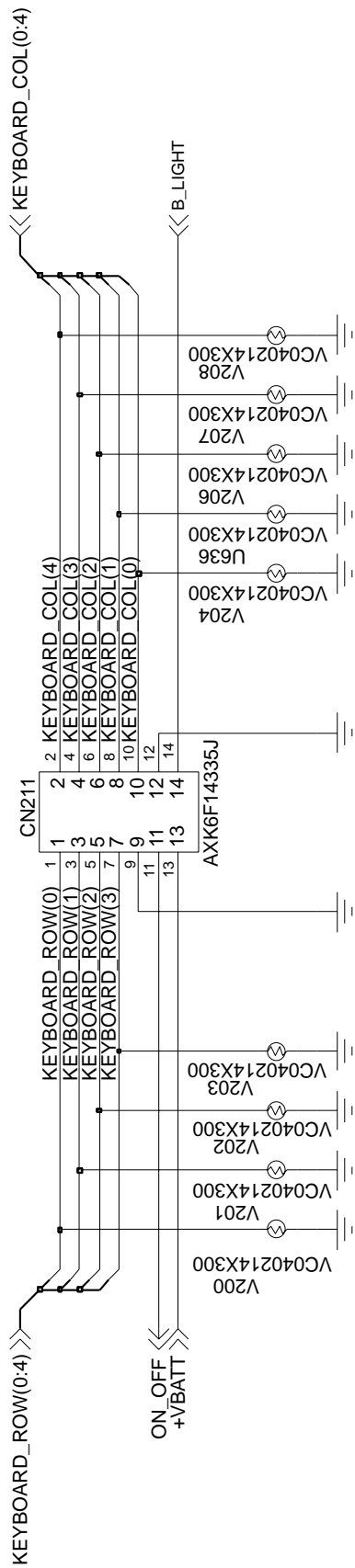


5-6 Speaker Part

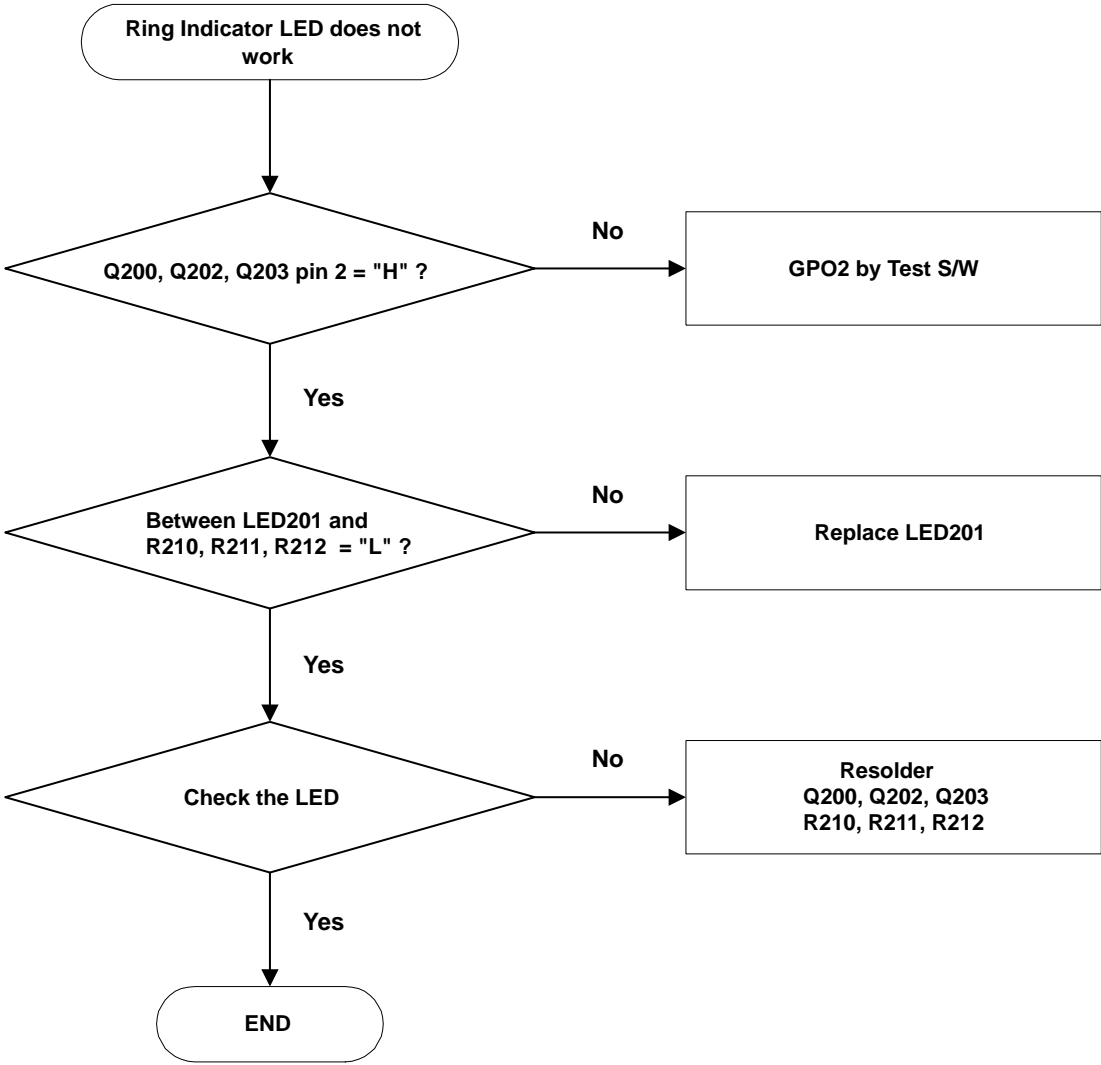


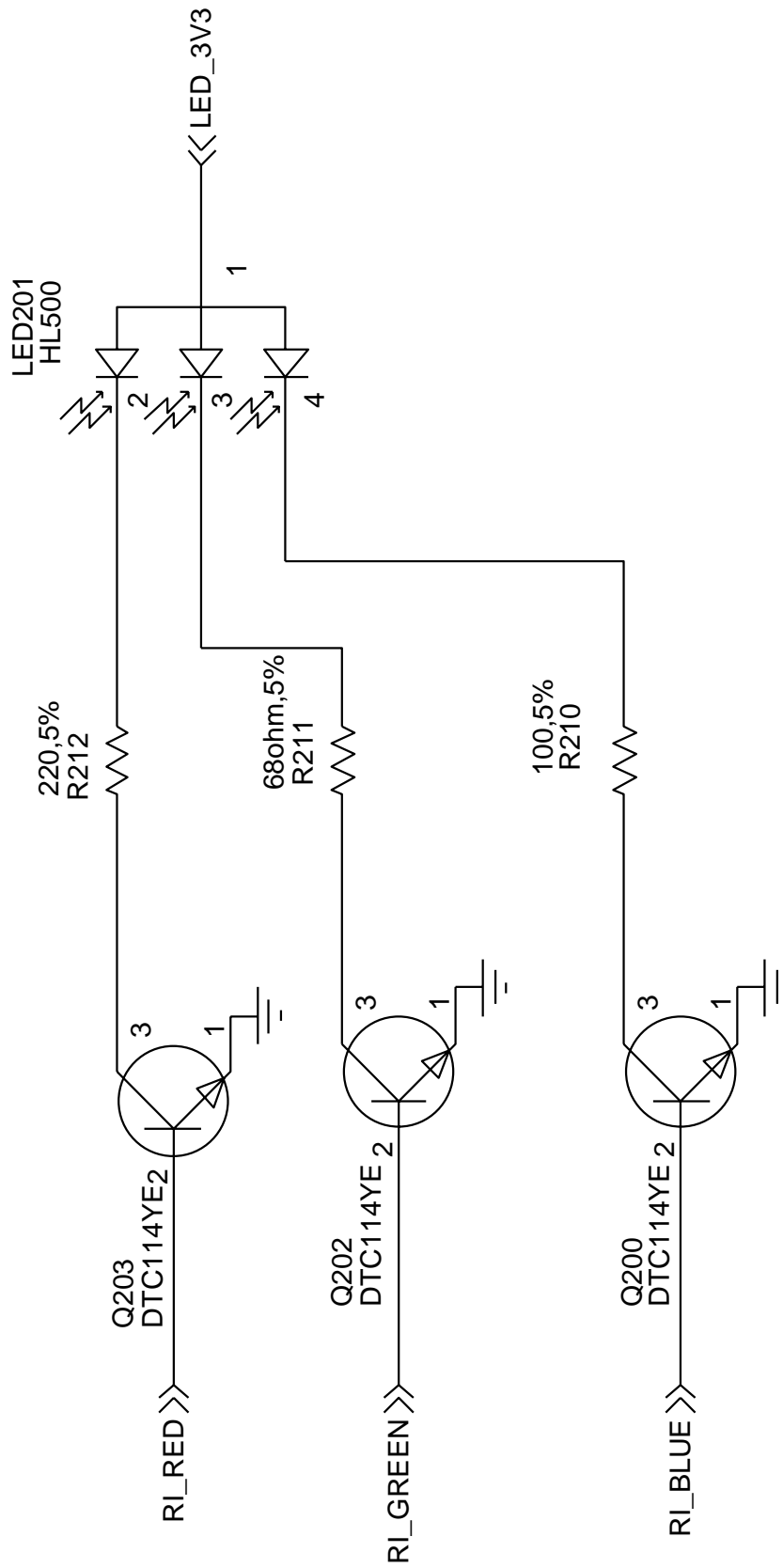
5-7 Key Data Input



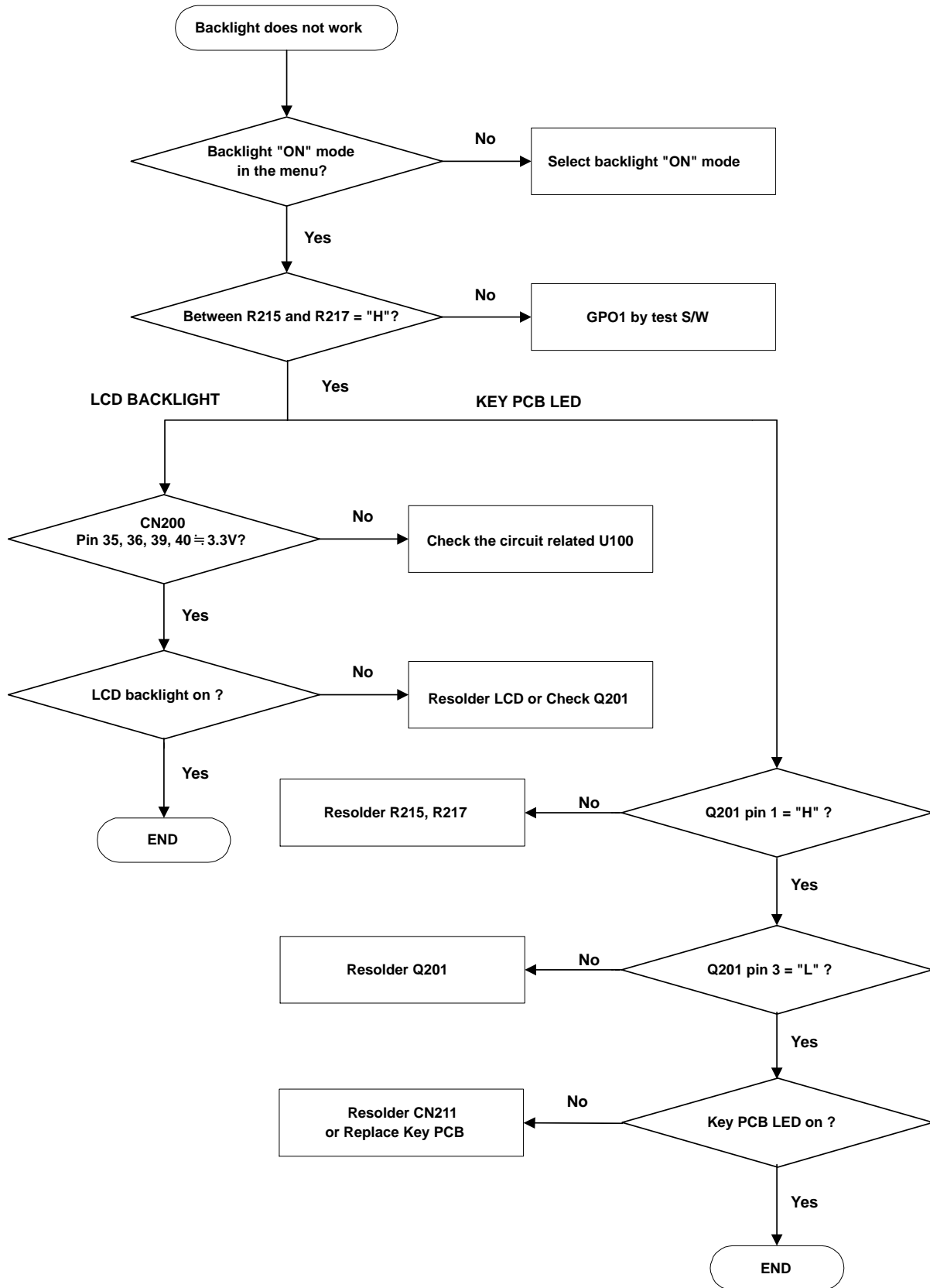


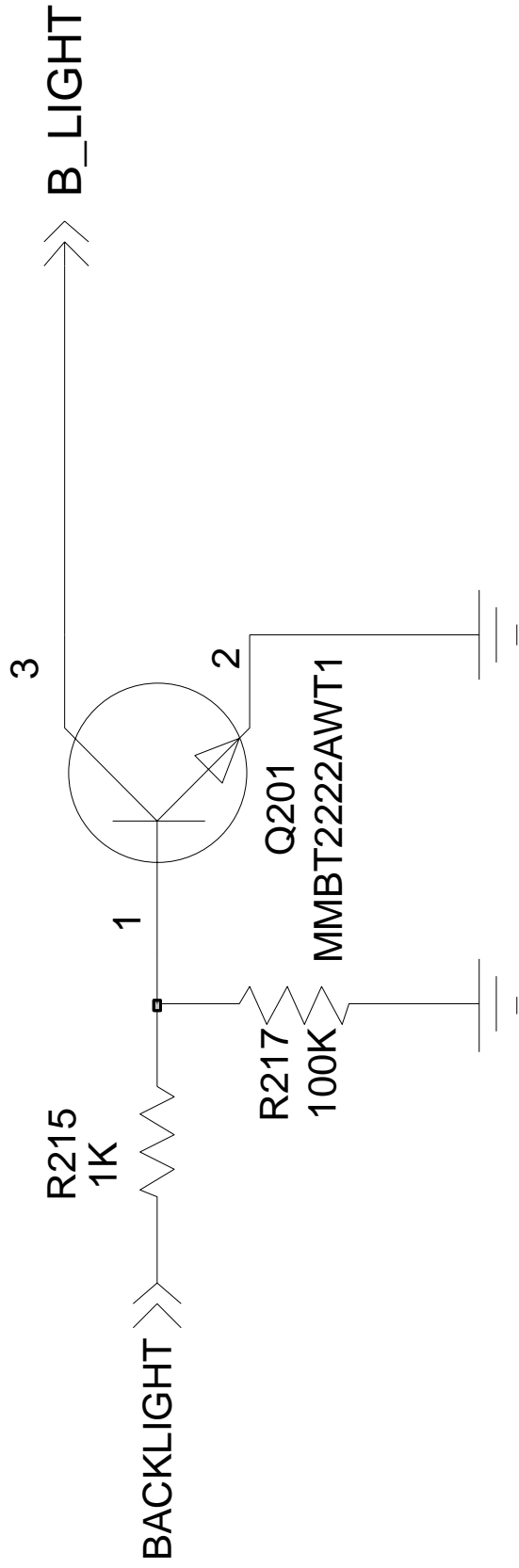
5-8 Ring Indicator



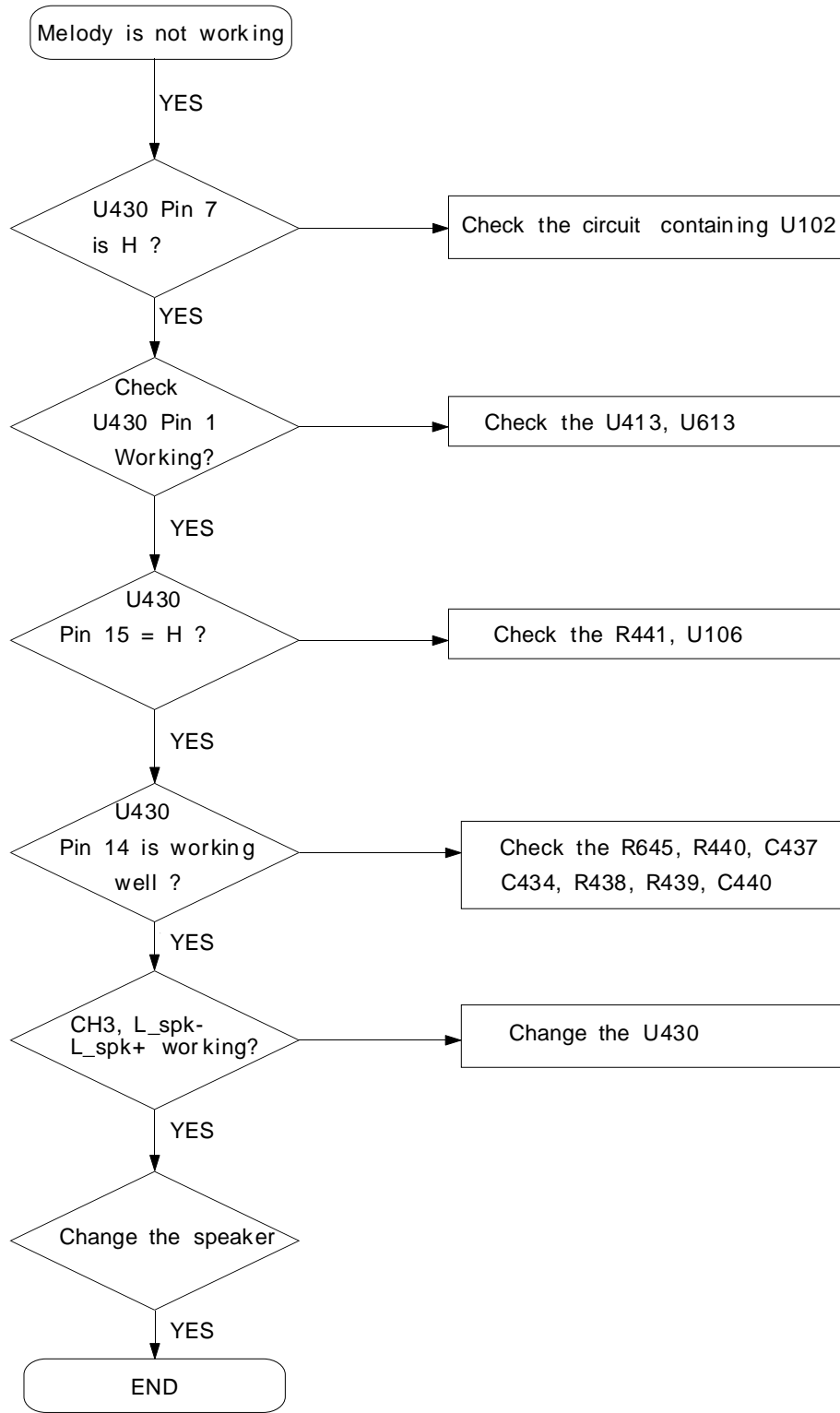


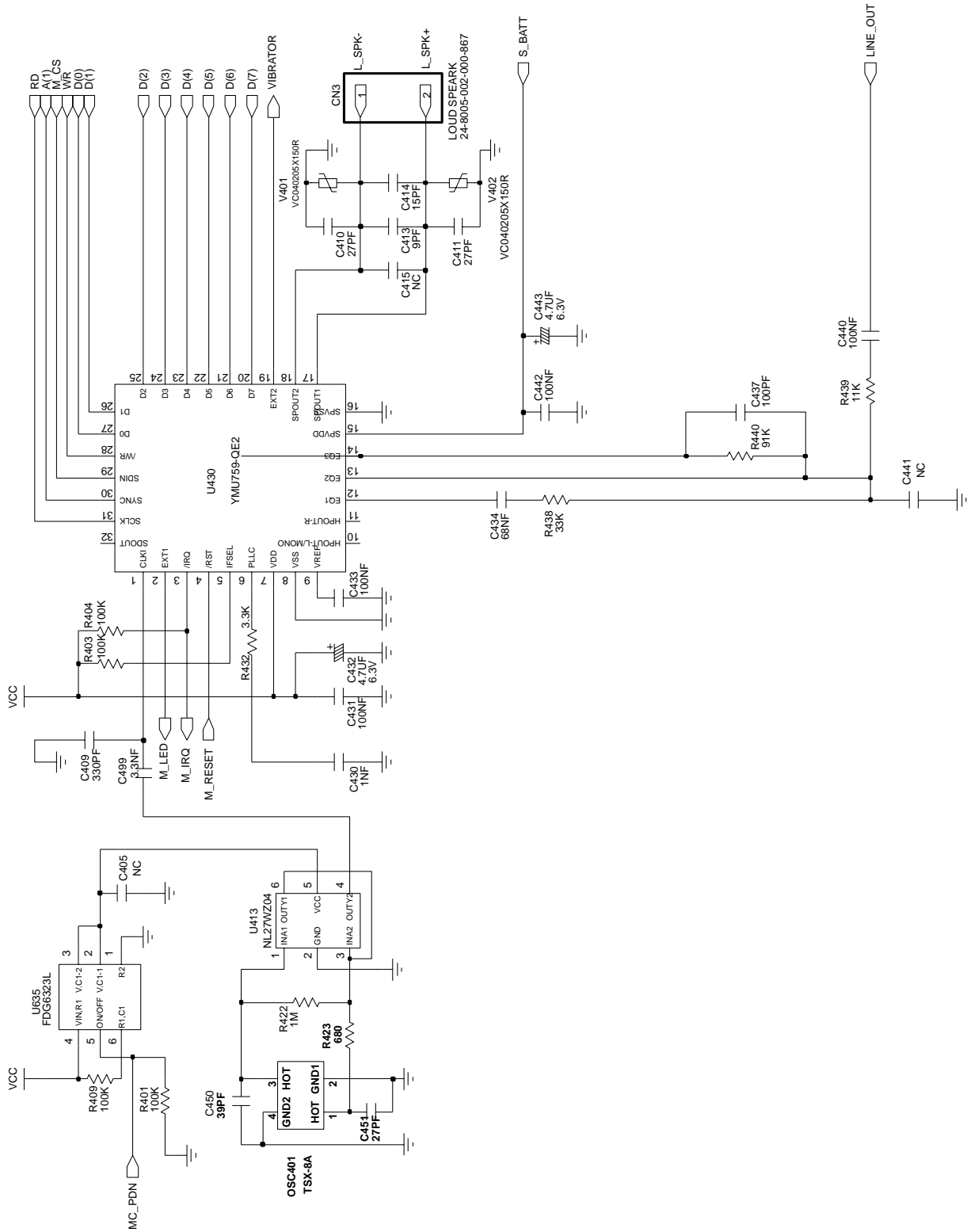
5-9 Back Light



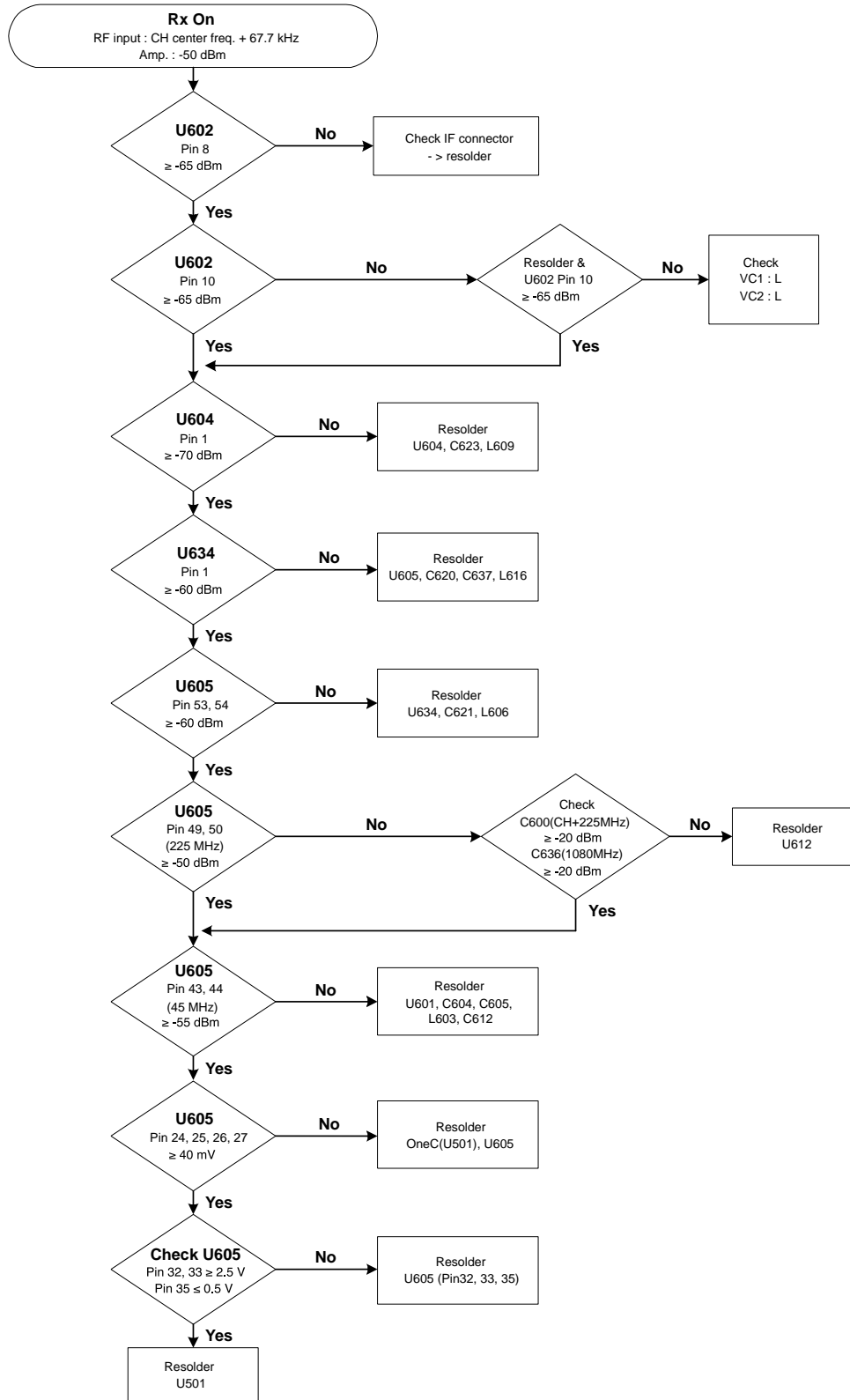


5-10 Melody Part

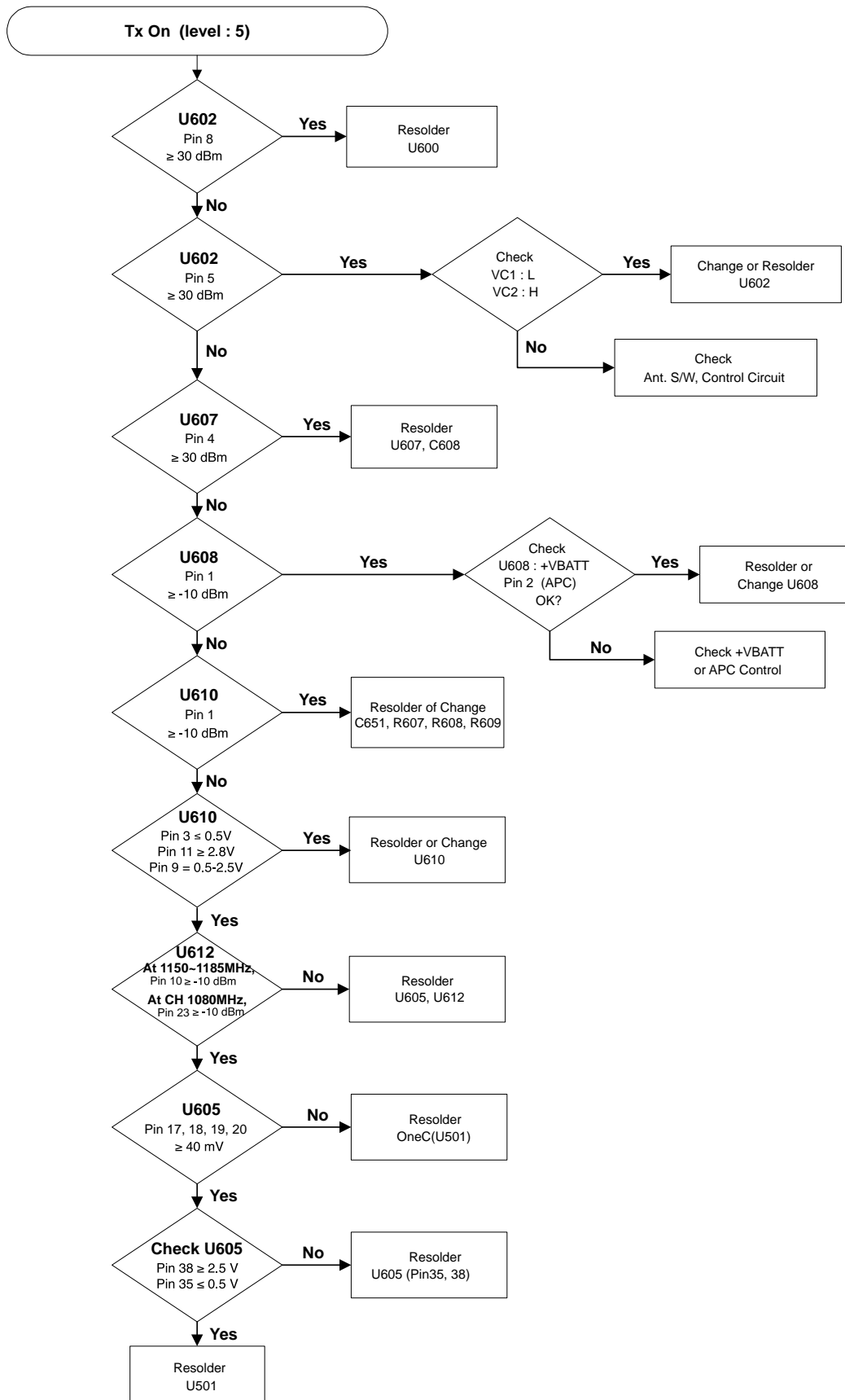




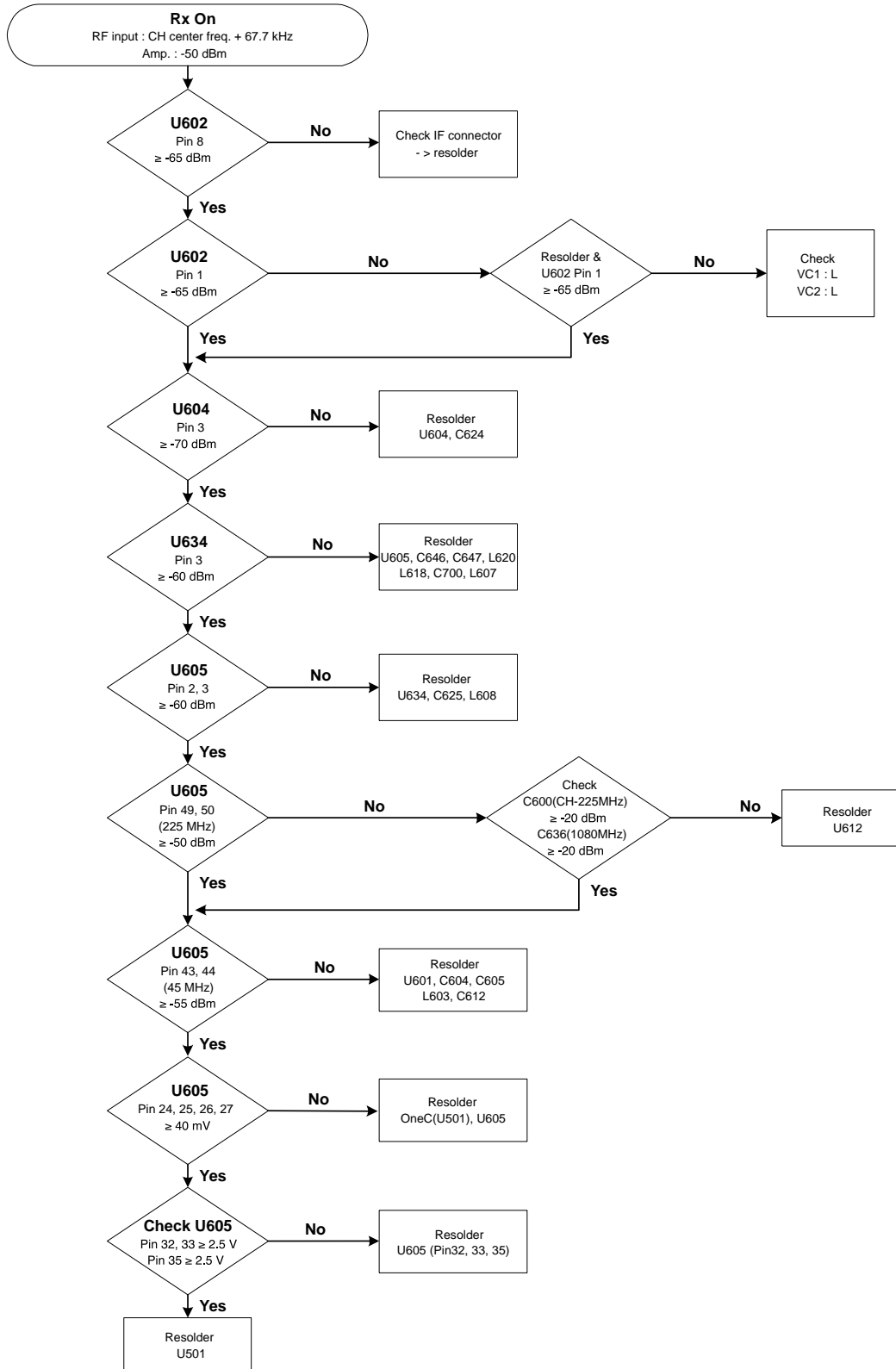
5-11 GSM Receiver



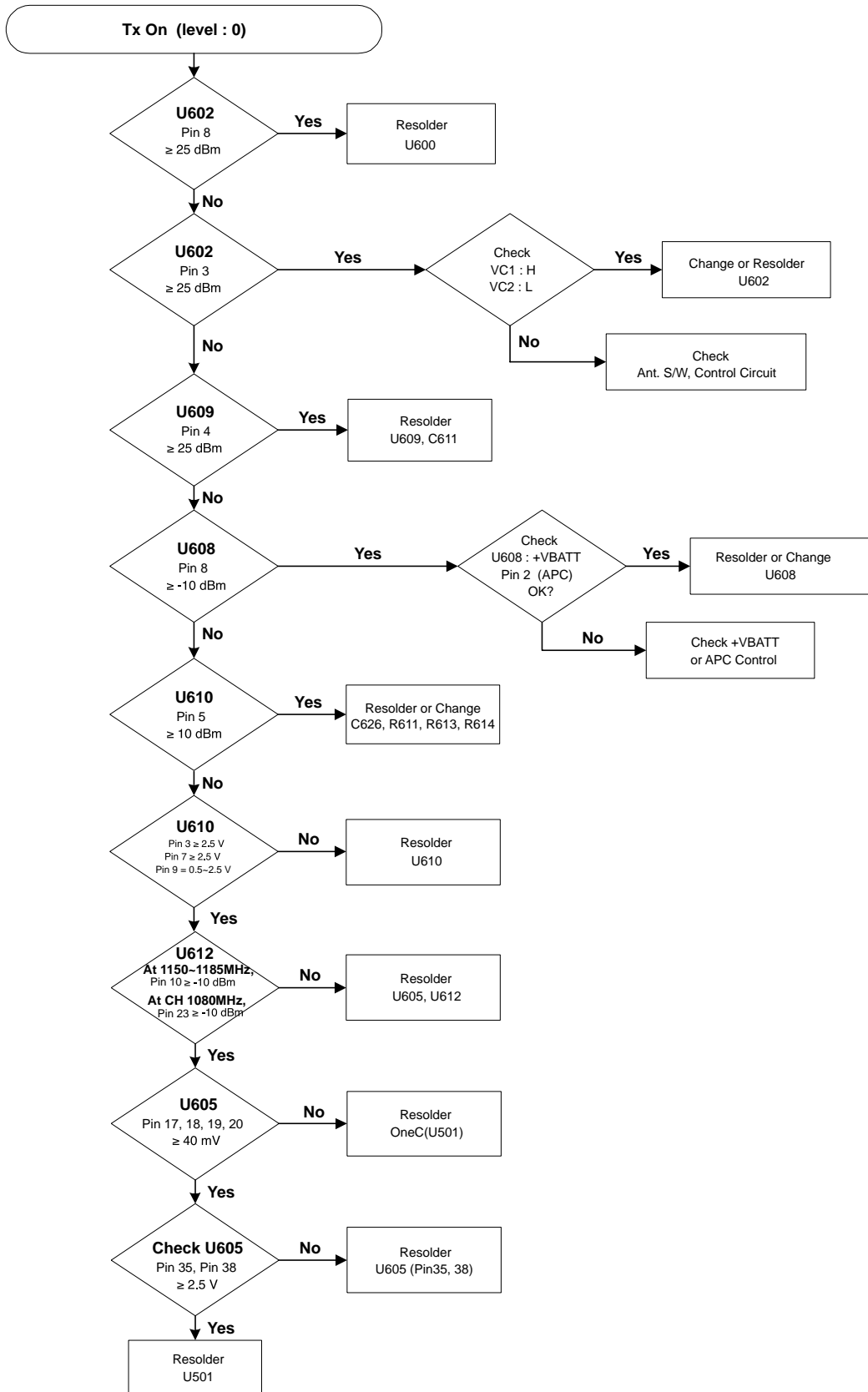
5-12 GSM Transmit

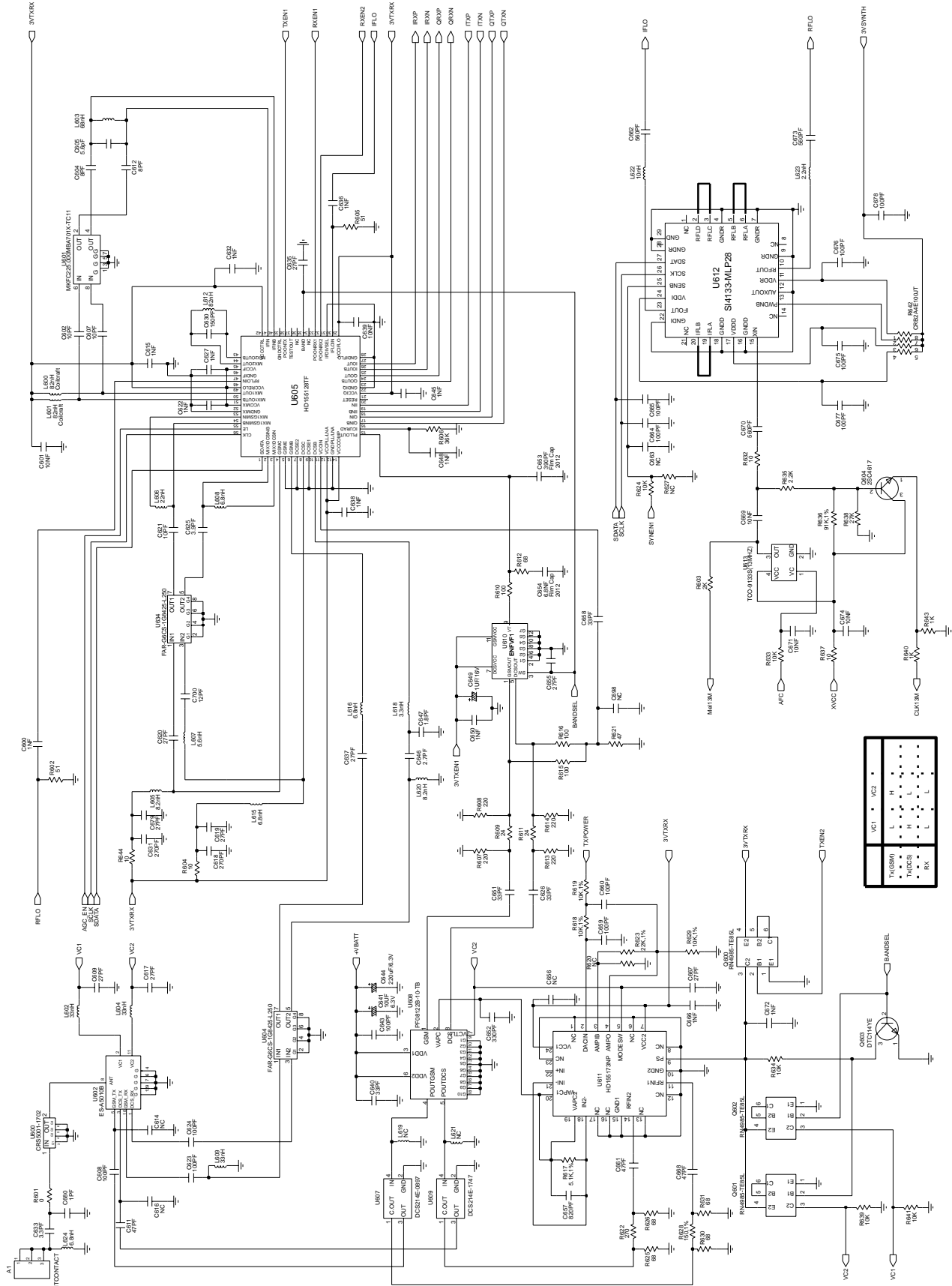


5-13 DCS Receiver



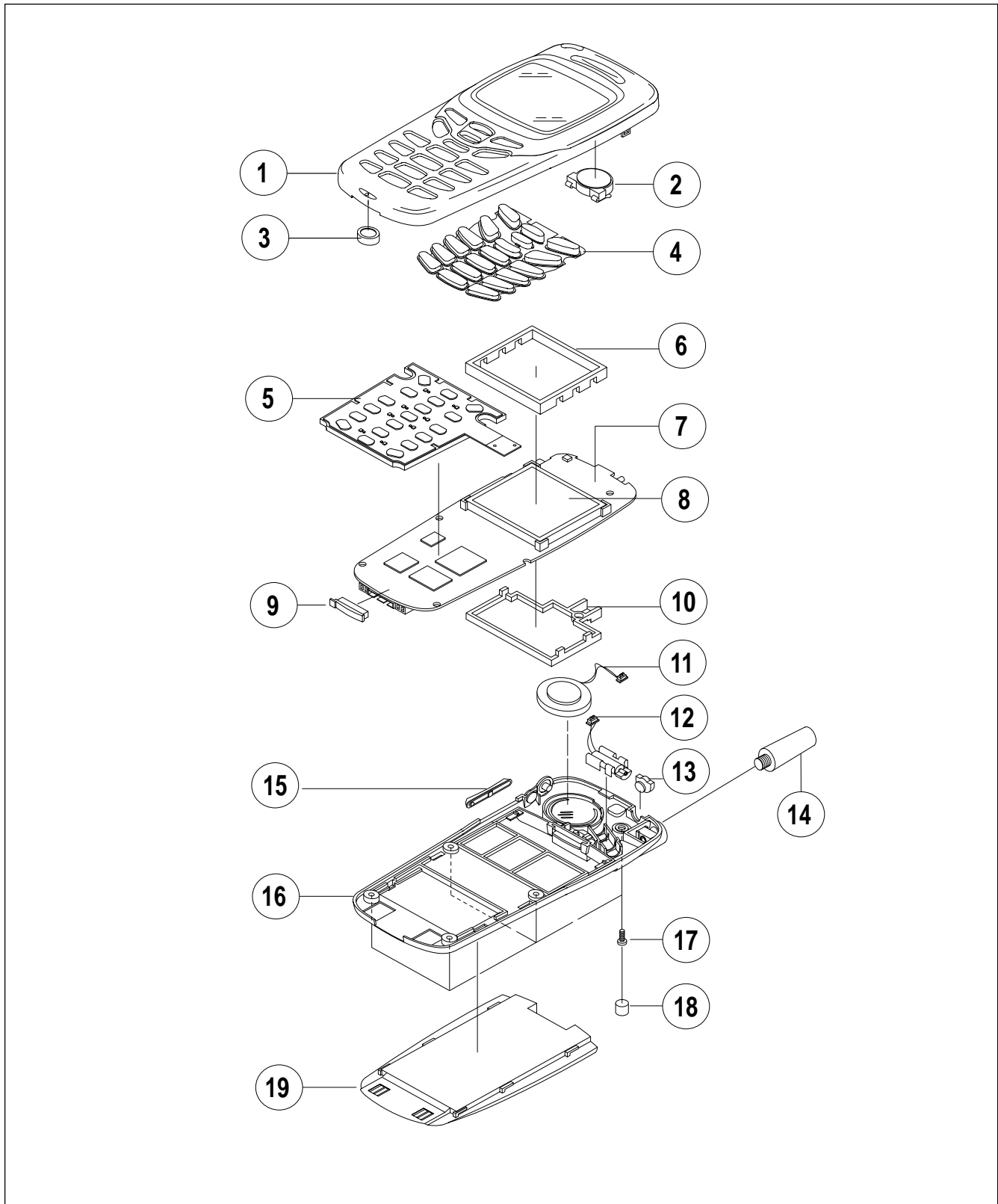
5-14 DCS Transmit





1. Exploded Views and Parts List

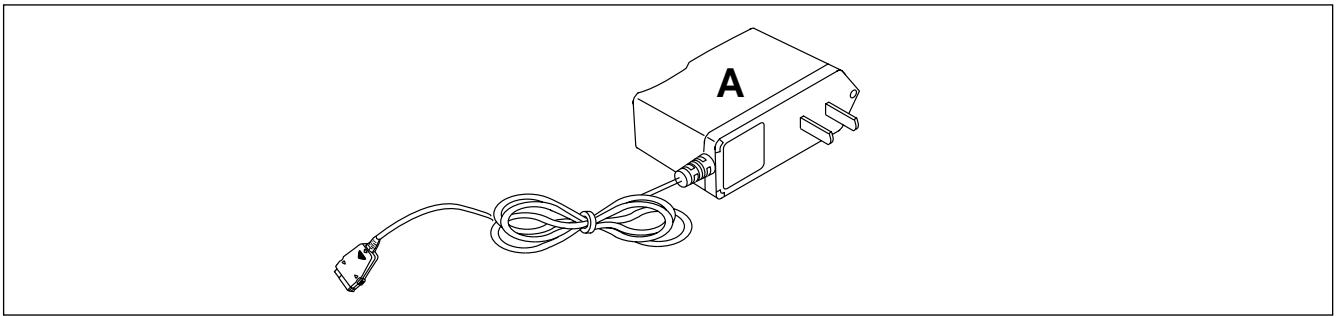
1-1 Main (SGH-N620)



1-2 Main Parts List

NO	DISCRIPTION	SEC CODE				REMARK
		WHITE	SILVER	SKY BLUE	BLACK	
1	FRONT COVER	GH75-01932A	GH75-01932B	GH75-01932C	GH75-01932D	
2	SPEAKER	3001-001199	3001-001199	3001-001199	3001-001199	
3	MIC ASS'Y	GH59-00240B	GH59-00240B	GH59-00240B	GH59-00240B	
4	KEY PAD(3X4)	GH72-03376B	GH72-03376B	GH72-03376B	GH72-03376B	
5	DOME SHEET	GH59-00282A	GH59-00282A	GH59-00282A	GH59-00282A	
6	LCD COVER	GH73-00923A	GH73-00923A	GH73-00923A	GH73-00923A	
7	MAIN PBA	GH82-00109A	GH82-00109A	GH82-00109A	GH82-00109A	
8	LCD	GH07-00131A	GH07-00131A	GH07-00131A	GH07-00131A	
9	COVERCONNECTOR	GH73-00893A	GH73-00893A	GH73-00893C	GH73-00893D	
10	SHIELD-REAR	GH72-03213A	GH72-03213B	GH72-03213C	GH72-03213D	
11	SPEAKER	3001-001267	3001-001267	3001-001267	3001-001267	
12	MOTOR	GH31-00033A	GH31-00033A	GH31-00033A	GH31-00033A	
13	MOBILE CAP	GH73-00892A	GH73-00892A	GH73-00892C	GH73-00892D	
14	ANTENNA	GH42-00137E	GH42-00137B	GH42-00137D	GH42-00137C	
15	VOLUME KEY	GH75-01490A	GH75-01490A	GH75-01490A	GH75-01490A	
16	REAR COVER ASSY	GH75-01471A	GH75-01471B	GH75-01471C	GH75-01471D	
17	SCREW	6001-001634	6001-001634	6001-001634	6001-001634	
18	SCREW CAP	GH73-00891A	GH73-00891A	GH73-00891C	GH73-00891D	
19	BATTERY	GH43-00435A	GH43-00435B	GH43-00435C	GH43-00435D	

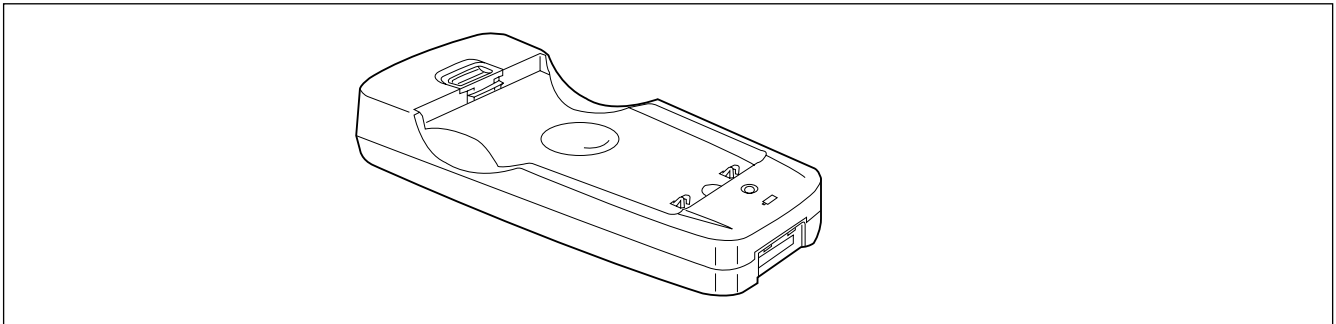
1-3 Travel Adapter



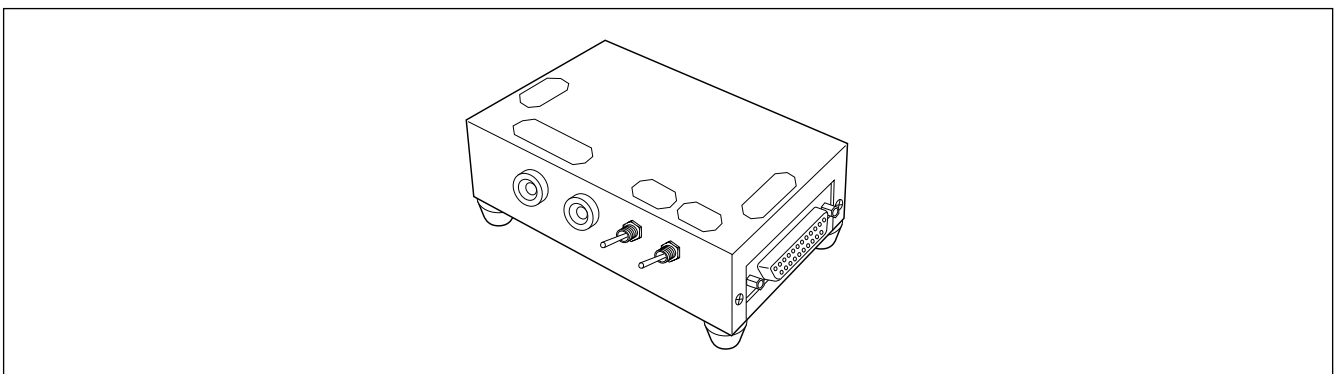
1-4 Travel Adapter Parts List

TYPE	SEC CODE	REMARK
A	GH44-00171A	CHINA

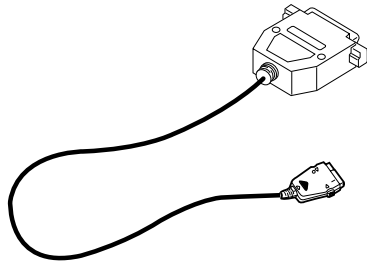
1-5 Battery Charger



1-6 Test Jig

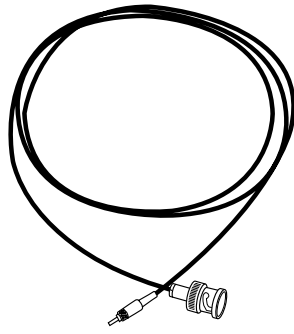


TEST JIG	GH80-10508A
----------	-------------



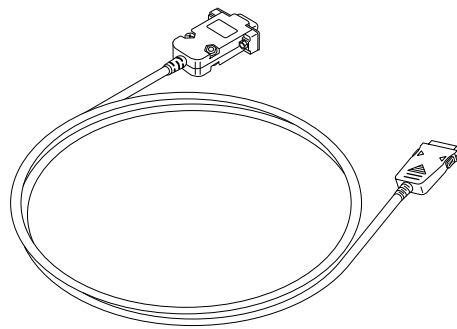
TEST JIG CABLE

GH39-00079A



RF JIG CABLE

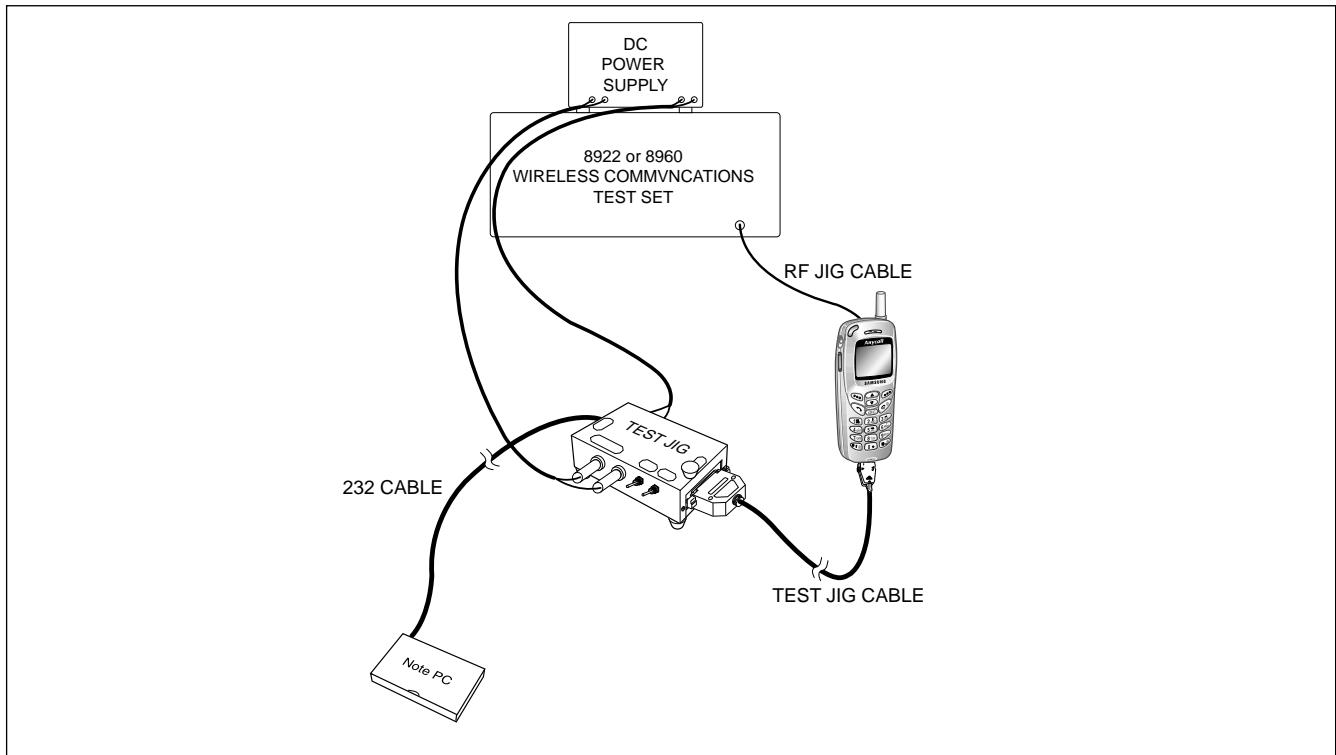
GH39-00094A



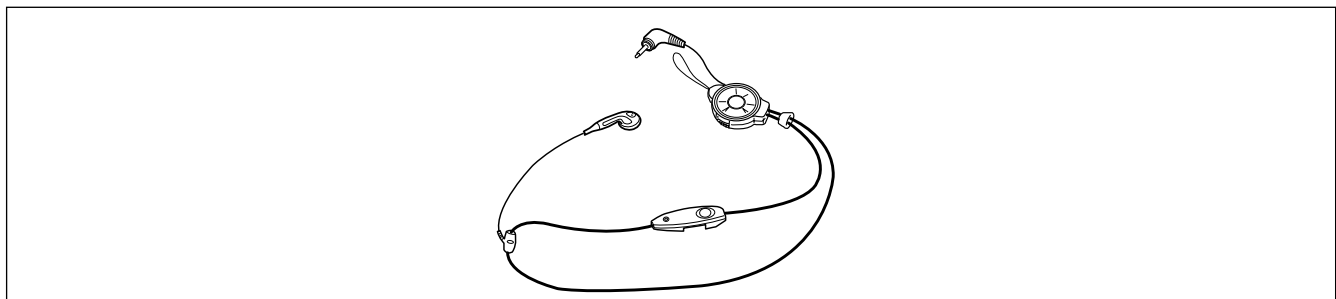
DM CABLE

GH39-00080A

1-6-1 Test Jig



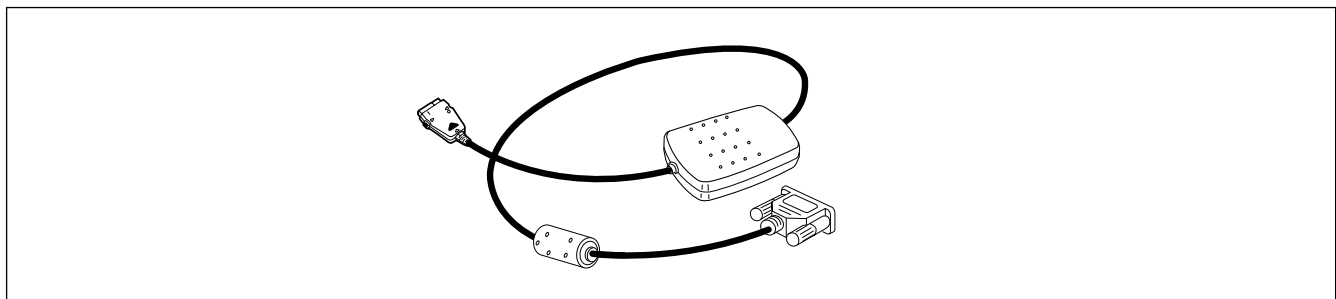
1-7 Normal EAR Microphone



Wearable EAR Microphone

GH59-00168A

1-8 Data Kit



DATA KIT

GH39-00078A

3. Electrical Parts List

3-1 Main Parts List Top

NO	Reference	SEC Code	Part Description	Vendor Part No
1	C100	2404-001105	C-TA,CHIP;10UF,20%,6.3V,GP,TP,2012	TCSCS0J106MPAR
2	C101	2203-000254	C-CERAMIC,CHIP;10nF,10%,16V,X7R,TP,1005,-	CL05B103KONC
3	C102	2203-000233	C-CERAMIC,CHIP;0.1nF,5%,50V,NP0,TP,1005	CL05C101JBNC
4	C129	2203-000254	C-CERAMIC,CHIP;10nF,10%,16V,X7R,TP,1005,-	CL05B103KONC
5	C151	2203-005482	C-CERAMIC,CHIP;100nF,10%,10V,X5R,TP,1005,-	GRM36X5R104K10PT
6	C202	2404-001101	C-TA,CHIP;1uF,20%,16V,GP,TP,2012,-	TESVSP1C105M8RTJ
7	C203	2404-001101	C-TA,CHIP;1uF,20%,16V,GP,TP,2012,-	TESVSP1C105M8RTJ
8	C204	2404-001101	C-TA,CHIP;1uF,20%,16V,GP,TP,2012,-	TESVSP1C105M8RTJ
9	C205	2404-001101	C-TA,CHIP;1uF,20%,16V,GP,TP,2012,-	TESVSP1C105M8RTJ
10	C206	2404-001101	C-TA,CHIP;1uF,20%,16V,GP,TP,2012,-	TESVSP1C105M8RTJ
11	C207	2203-005061	C-CERAMIC,CHIP;100nF,+80-20%,16V,Y5V,TP,1005	CM05Y5V104Z16AH
12	C208	2203-005061	C-CERAMIC,CHIP;100nF,+80-20%,16V,Y5V,TP,1005	CM05Y5V104Z16AH
13	C209	2203-005061	C-CERAMIC,CHIP;100nF,+80-20%,16V,Y5V,TP,1005	CM05Y5V104Z16AH
14	C210	2203-005061	C-CERAMIC,CHIP;100nF,+80-20%,16V,Y5V,TP,1005	CM05Y5V104Z16AH
15	C211	2203-000604	C-CERAMIC,CHIP;22nF,10%,25V,X7R,TP,1608	GRM39X7R223K25PT
16	C215	2203-000679	C-CERAMIC,CHIP;0.027nF,5%,50V,NP0,TP,1005	CM05CG270J50AH
17	C400	2203-005061	C-CERAMIC,CHIP;100nF,+80-20%,16V,Y5V,TP,1005	CM05Y5V104Z16AH
18	C401	2203-005061	C-CERAMIC,CHIP;100nF,+80-20%,16V,Y5V,TP,1005	CM05Y5V104Z16AH
19	C409	2203-002443	C-CERAMIC,CHIP;0.33nF,10%,50V,X7R,TP,1005	CL05B331KBNC
20	C410	2203-000679	C-CERAMIC,CHIP;0.027nF,5%,50V,NP0,TP,1005	CM05CG270J50AH
21	C411	2203-000679	C-CERAMIC,CHIP;0.027nF,5%,50V,NP0,TP,1005	CM05CG270J50AH
22	C413	2203-003054	C-CERAMIC,CHIP;0.009nF,0.25pF,50V,NP0,TP,1005	GRP1555C1H9R0DZ01E
23	C414	2203-000386	C-CERAMIC,CHIP;0.015nF,5%,50V,NP0,TP,1005	GRP1555C1H150JZ01E
24	C430	2203-000438	C-CERAMIC,CHIP;1nF,10%,50V,X7R,TP,1005,-	CM05X7R102K50AH
25	C431	2203-005061	C-CERAMIC,CHIP;100nF,+80-20%,16V,Y5V,TP,1005	CM05Y5V104Z16AH
26	C432	2404-001086	C-TA,CHIP;4.7uF,20%,6.3V,GP,TP,2012,-	TESVSPOJ475M8RTJ
27	C433	2203-005061	C-CERAMIC,CHIP;100nF,+80-20%,16V,Y5V,TP,1005	CM05Y5V104Z16AH
28	C434	2203-005483	C-CERAMIC,CHIP;68nF,10%,10V,X5R,TP,1005,-	CL05B683KPNC
29	C437	2203-000233	C-CERAMIC,CHIP;0.1nF,5%,50V,NP0,TP,1005	CL05C101JBNC
30	C440	2203-005482	C-CERAMIC,CHIP;100nF,10%,10V,X5R,TP,1005,-	GRM36X5R104K10PT
31	C442	2203-005061	C-CERAMIC,CHIP;100nF,+80-20%,16V,Y5V,TP,1005	CM05Y5V104Z16AH
32	C443	2404-001086	C-TA,CHIP;4.7uF,20%,6.3V,GP,TP,2012,-	TESVSPOJ475M8RTJ
33	C449	2203-000714	C-CERAMIC,CHIP;3.3nF,10%,50V,X7R,TP,1005,-	CL05B332KBNC
34	C450	2203-000854	C-CERAMIC,CHIP;0.039nF,5%,50V,NP0,TP,1005	CL05C390JBNC
35	C451	2203-000679	C-CERAMIC,CHIP;0.027nF,5%,50V,NP0,TP,1005	CM05CG270J50AH
36	C502	2203-000679	C-CERAMIC,CHIP;0.027nF,5%,50V,NP0,TP,1005	CM05CG270J50AH
37	C503	2203-003054	C-CERAMIC,CHIP;0.009nF,0.25pF,50V,NP0,TP,1005	GRP1555C1H9R0DZ01E
38	C504	2203-005503	C-CERAMIC,CHIP;,"0.18nF,5%,25V,NP0,TP,1005	CL05C181JANC

NO	Reference	SEC Code	Part Description	Vendor Part No
39	C505	2203-000233	C-CERAMIC,CHIP;0.1nF,5%,50V,NP0,TP,1005	CL05C101JBNC
40	C506	2203-000233	C-CERAMIC,CHIP;0.1nF,5%,50V,NP0,TP,1005	CL05C101JBNC
41	C507	2203-000233	C-CERAMIC,CHIP;0.1nF,5%,50V,NP0,TP,1005	CL05C101JBNC
42	C508	2203-000233	C-CERAMIC,CHIP;0.1nF,5%,50V,NP0,TP,1005	CL05C101JBNC
43	C509	2203-000254	C-CERAMIC,CHIP;10nF,10%,16V,X7R,TP,1005,-	CL05B103KONC
44	C510	2203-005503	C-CERAMIC,CHIP;0.18nF,5%,25V,NP0,TP,1005	CL05C181JANC
45	C511	2203-000812	C-CERAMIC,CHIP;0.033nF,5%,50V,NP0,TP,1005	GRP1555C1H330JZ01E
46	C512	2203-000812	C-CERAMIC,CHIP;0.033nF,5%,50V,NP0,TP,1005	GRP1555C1H330JZ01E
47	C513	2203-000812	C-CERAMIC,CHIP;0.033nF,5%,50V,NP0,TP,1005	GRP1555C1H330JZ01E
48	C514	2203-000812	C-CERAMIC,CHIP;0.033nF,5%,50V,NP0,TP,1005	GRP1555C1H330JZ01E
49	C515	2203-000254	C-CERAMIC,CHIP;10nF,10%,16V,X7R,TP,1005,-	CL05B103KONC
50	C516	2203-000812	C-CERAMIC,CHIP;0.033nF,5%,50V,NP0,TP,1005	GRP1555C1H330JZ01E
51	C517	2203-000812	C-CERAMIC,CHIP;0.033nF,5%,50V,NP0,TP,1005	GRP1555C1H330JZ01E
52	C518	2203-000254	C-CERAMIC,CHIP;10nF,10%,16V,X7R,TP,1005,-	CL05B103KONC
53	C519	2203-000254	C-CERAMIC,CHIP;10nF,10%,16V,X7R,TP,1005,-	CL05B103KONC
54	C520	2203-000254	C-CERAMIC,CHIP;10nF,10%,16V,X7R,TP,1005,-	CL05B103KONC
55	C521	2203-000254	C-CERAMIC,CHIP;10nF,10%,16V,X7R,TP,1005,-	CL05B103KONC
56	C522	2203-000812	C-CERAMIC,CHIP;0.033nF,5%,50V,NP0,TP,1005	GRP1555C1H330JZ01E
57	C523	2203-000812	C-CERAMIC,CHIP;0.033nF,5%,50V,NP0,TP,1005	GRP1555C1H330JZ01E
58	C524	2203-000812	C-CERAMIC,CHIP;0.033nF,5%,50V,NP0,TP,1005	GRP1555C1H330JZ01E
59	C525	2203-000812	C-CERAMIC,CHIP;0.033nF,5%,50V,NP0,TP,1005	GRP1555C1H330JZ01E
60	C526	2203-005061	C-CERAMIC,CHIP;100nF,+80-20%,16V,Y5V,TP,1005	CM05Y5V104Z16AH
61	C527	2203-000254	C-CERAMIC,CHIP;10nF,10%,16V,X7R,TP,1005,-	CL05B103KONC
62	C528	2203-000679	C-CERAMIC,CHIP;0.027nF,5%,50V,NP0,TP,1005	CM05CG270J50AH
63	C529	2203-000679	C-CERAMIC,CHIP;0.027nF,5%,50V,NP0,TP,1005	CM05CG270J50AH
64	C530	2203-000679	C-CERAMIC,CHIP;0.027nF,5%,50V,NP0,TP,1005	CM05CG270J50AH
65	C531	2203-000679	C-CERAMIC,CHIP;0.027nF,5%,50V,NP0,TP,1005	CM05CG270J50AH
66	C532	2203-005480	C-CERAMIC,CHIP;33nF,10%,10V,X7R,TP,1005,-	C1005X7R1A333KT
67	C537	2203-003054	C-CERAMIC,CHIP;0.009nF,0.25pF,50V,NP0,TP,1005	GRP1555C1H9R0DZ01E
68	C538	2203-005480	C-CERAMIC,CHIP;33nF,10%,10V,X7R,TP,1005,-	C1005X7R1A333KT
69	C539	2203-000812	C-CERAMIC,CHIP;0.033nF,5%,50V,NP0,TP,1005	GRP1555C1H330JZ01E
70	C540	2203-000812	C-CERAMIC,CHIP;0.033nF,5%,50V,NP0,TP,1005	GRP1555C1H330JZ01E
71	C541	2203-005481	C-CERAMIC,CHIP;47nF,10%,10V,X7R,TP,1005,-	GRP155R71A473KA01E
72	C542	2203-003054	C-CERAMIC,CHIP;0.009nF,0.25pF,50V,NP0,TP,1005	GRP1555C1H9R0DZ01E
73	C544	2203-000679	C-CERAMIC,CHIP;0.027nF,5%,50V,NP0,TP,1005	CM05CG270J50AH
74	C545	2203-000679	C-CERAMIC,CHIP;0.027nF,5%,50V,NP0,TP,1005	CM05CG270J50AH
75	C547	2203-000254	C-CERAMIC,CHIP;10nF,10%,16V,X7R,TP,1005,-	CL05B103KONC
76	C548	2203-003054	C-CERAMIC,CHIP;0.009nF,0.25pF,50V,NP0,TP,1005	GRP1555C1H9R0DZ01E
77	C549	2203-000254	C-CERAMIC,CHIP;10nF,10%,16V,X7R,TP,1005,-	CL05B103KONC
78	C550	2203-000254	C-CERAMIC,CHIP;10nF,10%,16V,X7R,TP,1005,-	CL05B103KONC
79	C551	2203-000254	C-CERAMIC,CHIP;10nF,10%,16V,X7R,TP,1005,-	CL05B103KONC
80	C552	2203-000812	C-CERAMIC,CHIP;0.033nF,5%,50V,NP0,TP,1005	GRP1555C1H330JZ01E

NO	Reference	SEC Code	Part Description	Vendor Part No
81	C553	2404-001231	C-TA,CHIP;47uF,20%,6.3V,GP,TP,3718	595D476X06R3A2T
82	C553	2404-001162	C-TA,CHIP;47uF,20%,4V,LZ,TP,3216	F950G476MAAJZTQ2
83	C560	2203-003054	C-CERAMIC,CHIP;0.009nF,0.25pF,50V,NP0,TP,1005	GRP1555C1H9R0DZ01E
84	C561	2203-000386	C-CERAMIC,CHIP;0.015nF,5%,50V,NP0,TP,1005	GRP1555C1H150JZ01E
85	C590	2203-005482	C-CERAMIC,CHIP;100nF,10%,10V,X5R,TP,1005,-	GRP155R61A104KA01E
86	C591	2203-000254	C-CERAMIC,CHIP;10nF,10%,16V,X7R,TP,1005,-	CL05B103KONC
87	C617	2203-000679	C-CERAMIC,CHIP;0.027nF,5%,50V,NP0,TP,1005	CM05CG270J50AH
88	C633	2203-005052	C-CERAMIC,CHIP;0.0033nF,0.25pF,50V,NP0,TP,1005	C1005C0G1H3R3CT
89	C657	2203-001221	C-CERAMIC,CHIP;820pF,10%,50V,X7R,TP,1005,-	CL05B821KBNC
90	C659	2203-000233	C-CERAMIC,CHIP;0.1nF,5%,50V,NP0,TP,1005	CL05C101JBNC
91	C660	2203-000233	C-CERAMIC,CHIP;0.1nF,5%,50V,NP0,TP,1005	CL05C101JBNC
92	C661	2203-000995	C-CERAMIC,CHIP;0.047nF,5%,50V,NP0,TP,1005	C1005C0G1H470JT
93	C666	2203-000438	C-CERAMIC,CHIP;1nF,10%,50V,X7R,TP,1005,-	CM05X7R102K50AH
94	C667	2203-000679	C-CERAMIC,CHIP;0.027nF,5%,50V,NP0,TP,1005	CM05CG270J50AH
95	C668	2203-000995	C-CERAMIC,CHIP;0.047nF,5%,50V,NP0,TP,1005	C1005C0G1H470JT
96	C680	2203-005288	C-CERAMIC,CHIP;0.001nF,0.1pF,50V,NP0,TP,1005	CL05C010BBNC
97	C701	2203-001101	C-CERAMIC,CHIP;6.8nF,10%,25V,X7R,TP,1005,-	CM05X7R682K25AH
98	D100	0401-001033	DIODE-SWITCHING;MCL4154,25V,200mA,M-MELF,TP	MCL4154
99	F200	2901-001116	FILTER-EMI SMD;50V,0.3A,-,470pF,2x1.25x0.5mm,TP	NFM2012R13C471R
100	F201	2901-001116	FILTER-EMI SMD;50V,0.3A,-,470pF,2x1.25x0.5mm,TP	NFM2012R13C471R
101	F203	2901-001116	FILTER-EMI SMD;50V,0.3A,-,470pF,2x1.25x0.5mm,TP	NFM2012R13C471R
102	L200	2703-001752	INDUCTOR-SMD;39nH,5%,1.0x0.5x0.5mm	LL1005-FH39NJ
103	L500	2703-001752	INDUCTOR-SMD;39nH,5%,1.0x0.5x0.5mm	LL1005-FH39NJ
104	L604	2703-002201	INDUCTOR-SMD;33NH,5%,1.0X0.5X0.5MM	CIH05T33NJNC
105	L624	2703-002170	INDUCTOR-SMD;6.8nH,5%,1x0.5x0.5mm	CIH05T6N8JNC
106	LED201	0601-001543	LED;CHIP,ORG/GRN/BLUE,2X2MM,605/525/470NM	HL500-F01-SS
107	OSC401	2801-004112	CRYSTAL-SMD;19.68MHZ,10PPM,28-ACF,18PF,40OHM,TP	TSX-8A
108	OSC500	2801-004025	CRYSTAL-UNIT;0.032768MHz,20ppm,28-ABK,1.7fF,65kohm,TP	FC-255
109	Q200	0504-001012	TR-DIGITAL;DTC114YE,NPN,150MW,10K/47K,EMT3,TP	DTC114YE
110	Q201	0501-002202	TR-SMALL SIGNAL;MMBT2222AWT1,NPN,150mW,SOT-323	MMBT2222AWT1
111	Q202	0504-001012	TR-DIGITAL;DTC114YE,NPN,150MW,10K/47K,EMT3,TP	DTC114YE
112	Q203	0504-001012	TR-DIGITAL;DTC114YE,NPN,150MW,10K/47K,EMT3,TP	DTC114YE
113	Q400	0501-000162	TR-SMALL SIGNAL;2SA1576,PNP,200MW,SOT-323,TP,180-390	2SA1576A T106
114	R100	2007-000157	R-CHIP;47Kohm,5%,1/16W,DA,TP,1005	RC1005J473CS
115	R101	2007-000140	R-CHIP;1Kohm,5%,1/16W,DA,TP,1005	RC1005J102CS
116	R202	2007-000162	R-CHIP;100Kohm,5%,1/16W,DA,TP,1005	RC1005J104CS
117	R205	2011-001344	R-NETWORK;100ohm,5%,1/16W,L,CHIP,8P,TP	EXB28V101JX
118	R206	2007-000138	R-CHIP;100ohm,5%,1/16W,DA,TP,1005	RC1005J101CS
119	R207	2011-001344	R-NETWORK;100ohm,5%,1/16W,L,CHIP,8P,TP	EXB28V101JX
120	R208	2007-000170	R-CHIP;1Mohm,5%,1/16W,DA,TP,1005	RC1005J105CS
121	R209	2007-000566	R-CHIP;220Kohm,5%,1/16W,DA,TP,1005	ERJ2GEJ224X
122	R210	2007-000138	R-CHIP;100ohm,5%,1/16W,DA,TP,1005	RC1005J101CS

NO	Reference	SEC Code	Part Description	Vendor Part No
123	R211	2007-001301	R-CHIP;68ohm,5%,1/16W,DA,TP,1005	RC1005J680CS
124	R212	2007-000139	R-CHIP;220ohm,5%,1/16W,DA,TP,1005	RC1005J221CS
125	R215	2007-000140	R-CHIP;1Kohm,5%,1/16W,DA,TP,1005	RC1005J102CS
126	R217	2007-000162	R-CHIP;100Kohm,5%,1/16W,DA,TP,1005	RC1005J104CS
127	R400	2007-000148	R-CHIP;10Kohm,5%,1/16W,DA,TP,1005	RC1005J103CS
128	R401	2007-000162	R-CHIP;100Kohm,5%,1/16W,DA,TP,1005	RC1005J104CS
129	R403	2007-000162	R-CHIP;100Kohm,5%,1/16W,DA,TP,1005	RC1005J104CS
130	R404	2007-000162	R-CHIP;100Kohm,5%,1/16W,DA,TP,1005	RC1005J104CS
131	R405	2007-000162	R-CHIP;100Kohm,5%,1/16W,DA,TP,1005	RC1005J104CS
132	R406	2007-000162	R-CHIP;100Kohm,5%,1/16W,DA,TP,1005	RC1005J104CS
133	R407	2007-000162	R-CHIP;100Kohm,5%,1/16W,DA,TP,1005	RC1005J104CS
134	R409	2007-000162	R-CHIP;100Kohm,5%,1/16W,DA,TP,1005	RC1005J104CS
135	R412	2007-000162	R-CHIP;100Kohm,5%,1/16W,DA,TP,1005	RC1005J104CS
136	R422	2007-000170	R-CHIP;1Mohm,5%,1/16W,DA,TP,1005	RC1005J105CS
137	R423	2007-001119	R-CHIP;680ohm,5%,1/16W,DA,TP,1005	ERJ2GEJ681X
138	R432	2007-001325	R-CHIP;3.3Kohm,5%,1/16W,DA,TP,1005	RC1005J332CS
139	R438	2007-000775	R-CHIP;33Kohm,5%,1/16W,DA,TP,1005	ERJ2GEJ333X
140	R439	2007-007090	R-CHIP;11KOHM,5%,1/16W,DA,TP,1005	ERJ2GEJ113X
141	R440	2007-001244	R-CHIP;91Kohm,5%,1/16W,DA,TP,1005	ERJ2GEJ913X
142	R441	2007-007771	R-CHIP;0OHM,5%,1/16W,DA,TP,1005	ERJ2GEJ0R0E
143	R500	2007-007317	R-CHIP;2.2Kohm,1%,1/16W,DA,TP,1005	MCR01MZSF2201
144	R501	2007-007317	R-CHIP;2.2Kohm,1%,1/16W,DA,TP,1005	MCR01MZSF2201
145	R502	2007-007317	R-CHIP;2.2Kohm,1%,1/16W,DA,TP,1005	MCR01MZSF2201
146	R503	2007-007317	R-CHIP;2.2Kohm,1%,1/16W,DA,TP,1005	MCR01MZSF2201
147	R504	2007-007318	R-CHIP;1Kohm,1%,1/16W,DA,TP,1005	RK73H1ETP1001F
148	R505	2007-000148	R-CHIP;10Kohm,5%,1/16W,DA,TP,1005	RC1005J103CS
149	R506	2007-007318	R-CHIP;1Kohm,1%,1/16W,DA,TP,1005	RK73H1ETP1001F
150	R507	2007-007318	R-CHIP;1Kohm,1%,1/16W,DA,TP,1005	RK73H1ETP1001F
151	R508	2007-000162	R-CHIP;100Kohm,5%,1/16W,DA,TP,1005	RC1005J104CS
152	R509	2007-000162	R-CHIP;100Kohm,5%,1/16W,DA,TP,1005	RC1005J104CS
153	R510	2007-000162	R-CHIP;100Kohm,5%,1/16W,DA,TP,1005	RC1005J104CS
154	R511	2007-007318	R-CHIP;1Kohm,1%,1/16W,DA,TP,1005	RK73H1ETP1001F
155	R512	2007-000157	R-CHIP;47Kohm,5%,1/16W,DA,TP,1005	RC1005J473CS
156	R513	2007-000162	R-CHIP;100Kohm,5%,1/16W,DA,TP,1005	RC1005J104CS
157	R514	2007-000148	R-CHIP;10Kohm,5%,1/16W,DA,TP,1005	RC1005J103CS
158	R518	2007-000148	R-CHIP;10Kohm,5%,1/16W,DA,TP,1005	RC1005J103CS
159	R519	2007-000148	R-CHIP;10Kohm,5%,1/16W,DA,TP,1005	RC1005J103CS
160	R520	2007-000162	R-CHIP;100Kohm,5%,1/16W,DA,TP,1005	RC1005J104CS
161	R521	2007-000152	R-CHIP;20Kohm,5%,1/16W,DA,TP,1005	RC1005J203CS
162	R523	2007-000162	R-CHIP;100Kohm,5%,1/16W,DA,TP,1005	RC1005J104CS
163	R524	2007-000157	R-CHIP;47Kohm,5%,1/16W,DA,TP,1005	RC1005J473CS
164	R525	2007-000139	R-CHIP;220ohm,5%,1/16W,DA,TP,1005	RC1005J221CS

NO	Reference	SEC Code	Part Description	Vendor Part No
165	R526	2007-000168	R-CHIP;470Kohm,5%,1/16W,DA,TP,1005	RC1005J474CS
166	R527	2007-002796	R-CHIP;510ohm,5%,1/16W,DA,TP,1005	MCR01MZSJ511
167	R528	2007-000162	R-CHIP;100Kohm,5%,1/16W,DA,TP,1005	RC1005J104CS
168	R529	2007-000157	R-CHIP;47Kohm,5%,1/16W,DA,TP,1005	RC1005J473CS
169	R530	2007-002796	R-CHIP;510ohm,5%,1/16W,DA,TP,1005	MCR01MZSJ511
170	R531	2007-000139	R-CHIP;220ohm,5%,1/16W,DA,TP,1005	RC1005J221CS
171	R532	2007-000141	R-CHIP;2.2Kohm,5%,1/16W,DA,TP,1005	RC1005J222CS
172	R533	2007-000141	R-CHIP;2.2Kohm,5%,1/16W,DA,TP,1005	RC1005J222CS
173	R535	2007-000148	R-CHIP;10Kohm,5%,1/16W,DA,TP,1005	RC1005J103CS
174	R536	2007-000148	R-CHIP;10Kohm,5%,1/16W,DA,TP,1005	RC1005J103CS
175	R538	2007-007981	R-CHIP;180Kohm,1%,1/16W,DA,TP,1005	ERJ2RKF1803X
176	R540	2011-001345	R-NETWORK;10Kohm,5%,1/16W,L,CHIP,8P,TP	EXB28V103JX
177	R541	2007-007488	R-CHIP;75Kohm,1%,1/16W,DA,TP,1005	MCR01MZSF7502
178	R542	2007-000170	R-CHIP;1Mohm,5%,1/16W,DA,TP,1005	RC1005J105CS
179	R543	2007-007771	R-CHIP;0OHM,5%,1/16W,DA,TP,1005	ERJ2GEJ0R0E
180	R544	2007-000170	R-CHIP;1Mohm,5%,1/16W,DA,TP,1005	RC1005J105CS
181	R545	2007-000169	R-CHIP;510Kohm,5%,1/16W,DA,TP,1005	RC1005J514CS
182	R547	2007-000162	R-CHIP;100Kohm,5%,1/16W,DA,TP,1005	RC1005J104CS
183	R587	2007-000162	R-CHIP;100Kohm,5%,1/16W,DA,TP,1005	RC1005J104CS
184	R590	2007-000148	R-CHIP;10Kohm,5%,1/16W,DA,TP,1005	RC1005J103CS
185	R599	2007-000162	R-CHIP;100Kohm,5%,1/16W,DA,TP,1005	RC1005J104CS
186	R601	2007-007771	R-CHIP;0OHM,5%,1/16W,DA,TP,1005	ERJ2GEJ0R0E
187	R617	2007-007698	R-CHIP;5.1Kohm,1%,1/16W,DA,TP,1005	RK73H1ETP5101F
188	R618	2007-007142	R-CHIP;10Kohm,1%,1/16W,DA,TP,1005	RK73H1ETP1002F
189	R619	2007-007142	R-CHIP;10Kohm,1%,1/16W,DA,TP,1005	RK73H1ETP1002F
190	R622	2007-001311	R-CHIP;270ohm,5%,1/16W,DA,TP,1005	RC1005J271CS
191	R625	2007-001301	R-CHIP;68ohm,5%,1/16W,DA,TP,1005	RC1005J680CS
192	R626	2007-001301	R-CHIP;68ohm,5%,1/16W,DA,TP,1005	RC1005J680CS
193	R628	2007-007307	R-CHIP;150ohm,1%,1/16W,DA,TP,1005	MCR01MZSF1500
194	R629	2007-007142	R-CHIP;10Kohm,1%,1/16W,DA,TP,1005	RK73H1ETP1002F
195	R630	2007-001301	R-CHIP;68ohm,5%,1/16W,DA,TP,1005	RC1005J680CS
196	R631	2007-001301	R-CHIP;68ohm,5%,1/16W,DA,TP,1005	RC1005J680CS
197	U100	1203-002077	IC-VOLTAGE REGULATOR;2985,SOT-23,5P,63MIL, PLASTIC,3.284/3.416V,-,40to+125C,350mA,-,TP	LP2985AIM5X-3.3
198	U200	0504-001058	TR-DIGITAL;RN4985,NPN/PNP,200mW, 2.2Kohm/47Kohm,UMD6,TP	RN4985-TE85L
199	U401	0801-002540	IC-CMOS LOGIC;7SZ19,DECODER,SOP,6P,49MIL, SINGLE,TP,PLASTIC,-,0.55V,-40to+85C,-,4.125V,1uA,-,	NC7SZ19P6X
200	U410	1109-001204	IC-ETC. MEMORY;LRS1383,2097152X6/524288X16BIT, CSP,72P,-,85NS,3V,10%,PLASTIC,-25TO+85C,25UA,-,TR	LRS1383
201	U413	0801-002727	IC-CMOS LOGIC;27WZ04,INVERTER,SOT-363,6P,5.3MIL, DUAL,TP,PLASTIC,-,0V,-40TO+85C,200MW,0V,100M	NL27WZ04DFT2

NO	Reference	SEC Code	Part Description	Vendor Part No
202	U430	1204-001811	IC-MELODY;YMU759-QE2,QFN,32P,-,PLASTIC,6V,-,-20TO+85C,TP,-	YMU759-QE2
203	U501	1205-001881	IC-COMM.CONTROLLER;VP40575,BGA,180P,472MIL,PLASTIC,3.3V,-,-20to+85C,TR,OneC Processor	VP40575
204	U502	1001-001145	IC-ANALOG SWITCH;MAX4599EXT,-,SC70,6P,49MIL,SINGLE,5.5V,-40to+85C,PLASTIC,245mW,60ohm,25ns,30ns,0	MAX4599EXT-T
205	U506	1202-001036	IC-VOLTAGE COMP;75W56,SSOP,8P,90MIL,DUAL,+7V,CMOS,PLASTIC,7V,200MW,-40TO+85C,7V,7V,1PA,1PA,60NS	TC75W56FK-TE12L
206	U520	1103-001262	IC-EEPROM;24C512C1,512KBIT,LAP,8P,320MIL,-,2.7V,-,PLASTIC,-55TO+125C,6.0UA,CMOS,TP	AT24C512C1-10CI-2.7
207	U580	1203-002247	IC-VOL. DETECTOR;S-809,SOT-23-5,5P,-,-,150MW,-40TO+85C,50MA,-,TP	S-80926ALMP-DAP-T2
208	U611	1209-001354	IC-ETC, LINEAR;HD155173NPEL,QFP,24P,165MIL,PLASTIC,3.4V,240mW,-25to+85C,TP	HD155173NPEL
209	U635	0505-001423	FET-SILICON;FDG6323L,N/P,-,-,0.3W,SC70-6	FDG6323L
210	V500	1405-001082	VARISTOR;5.6V,20A,1x0.5x0.6mm,TP	AVL 5M 02 200
211	V501	1405-001082	VARISTOR;5.6V,20A,1x0.5x0.6mm,TP	AVL 5M 02 200
212	V507	1405-001082	VARISTOR;5.6V,20A,1x0.5x0.6mm,TP	AVL 5M 02 200
213	V508	1405-001082	VARISTOR;5.6V,20A,1x0.5x0.6mm,TP	AVL 5M 02 200
214	V510	1405-001082	VARISTOR;5.6V,20A,1x0.5x0.6mm,TP	AVX
215	V511	1405-001082	VARISTOR;5.6V,20A,1x0.5x0.6mm,TP	AVX

3-2 Main Parts List Bottom

NO	Reference	SEC Code	Part Description	Vendor Part No
1	A1	GH61-00026A	SPRING ETC-ANT.CONTACT;SGH-N620,BE-CU,,-,-,-,-,-,-,GLD,-,-	-
2	C105	2404-001105	C-TA,CHIP;10UF,20%,6.3V,GP,TP,2012	TCSCS0J106MPAR
3	C106	2203-005061	C-CERAMIC,CHIP;100nF,+80-20%,16V,Y5V,TP,1005	CM05Y5V104Z16AH
4	C107	2203-005065	C-CERAMIC,CHIP;1000nF,+80-20%,10V,Y5V,TP,1608	CL10F105ZONC
5	C108	2203-000254	C-CERAMIC,CHIP;10nF,10%,16V,X7R,TP,1005,-	CL05B103KONC
6	C109	2404-001105	C-TA,CHIP;10UF,20%,6.3V,GP,TP,2012	TCSCS0J106MPAR
7	C110	2203-005061	C-CERAMIC,CHIP;100nF,+80-20%,16V,Y5V,TP,1005	CM05Y5V104Z16AH
8	C111	2203-000254	C-CERAMIC,CHIP;10nF,10%,16V,X7R,TP,1005,-	CL05B103KONC
9	C112	2404-001105	C-TA,CHIP;10UF,20%,6.3V,GP,TP,2012	TCSCS0J106MPAR
10	C113	2404-001239	C-TA,CHIP;100UF,20%,6.3V,WT,TP,3.3X2.7X1.7MM	F950J107MBAAQ2
11	C114	2404-001105	C-TA,CHIP;10UF,20%,6.3V,GP,TP,2012	TCSCS0J106MPAR
12	C115	2404-001239	C-TA,CHIP;100UF,20%,6.3V,WT,TP,3.3X2.7X1.7MM	F950J107MBAAQ2
13	C116	2203-005065	C-CERAMIC,CHIP;1000nF,+80-20%,10V,Y5V,TP,1608	CL10F105ZONC
14	C117	2203-000254	C-CERAMIC,CHIP;10nF,10%,16V,X7R,TP,1005,-	CL05B103KONC
15	C118	2203-000254	C-CERAMIC,CHIP;10nF,10%,16V,X7R,TP,1005,-	CL05B103KONC
16	C119	2404-001105	C-TA,CHIP;10UF,20%,6.3V,GP,TP,2012	TCSCS0J106MPAR
17	C120	2203-005061	C-CERAMIC,CHIP;100nF,+80-20%,16V,Y5V,TP,1005	CM05Y5V104Z16AH
18	C121	2203-000254	C-CERAMIC,CHIP;10nF,10%,16V,X7R,TP,1005,-	CL05B103KONC
19	C122	2203-005065	C-CERAMIC,CHIP;1000nF,+80-20%,10V,Y5V,TP,1608	CL10F105ZONC
20	C123	2203-000254	C-CERAMIC,CHIP;10nF,10%,16V,X7R,TP,1005,-	CL05B103KONC
21	C124	2404-001105	C-TA,CHIP;10UF,20%,6.3V,GP,TP,2012	TCSCS0J106MPAR
22	C125	2203-000679	C-CERAMIC,CHIP;0.027nF,5%,50V,NP0,TP,1005	CM05CG270J50AH
23	C126	2404-001231	C-TA,CHIP;47uF,20%,6.3V,GP,TP,3718	595D476X06R3A2T
24	C127	2203-005065	C-CERAMIC,CHIP;1000nF,+80-20%,10V,Y5V,TP,1608	CL10F105ZONC
25	C128	2203-000254	C-CERAMIC,CHIP;10nF,10%,16V,X7R,TP,1005,-	CL05B103KONC
26	C190	2203-005065	C-CERAMIC,CHIP;1000nF,+80-20%,10V,Y5V,TP,1608	CL10F105ZONC
27	C200	2203-000679	C-CERAMIC,CHIP;0.027nF,5%,50V,NP0,TP,1005	CM05CG270J50AH
28	C201	2203-001153	C-CERAMIC,CHIP;0.068nF,5%,50V,NP0,TP,1005	CM05CG680J50AH
29	C217	2203-005061	C-CERAMIC,CHIP;100nF,+80-20%,16V,Y5V,TP,1005	CM05Y5V104Z16AH
30	C300	2203-005061	C-CERAMIC,CHIP;100nF,+80-20%,16V,Y5V,TP,1005	CM05Y5V104Z16AH
31	C306	2203-005061	C-CERAMIC,CHIP;100nF,+80-20%,16V,Y5V,TP,1005	CM05Y5V104Z16AH
32	C316	2404-001020	C-TA,CHIP;10uF,20%,10V,GP,TP,3216,3.2	TAJA106M010R
33	C317	2404-001105	C-TA,CHIP;10UF,20%,6.3V,GP,TP,2012	TCSCS0J106MPAR
34	C318	2203-005061	C-CERAMIC,CHIP;100nF,+80-20%,16V,Y5V,TP,1005	CM05Y5V104Z16AH
35	C321	2203-005481	C-CERAMIC,CHIP;47nF,10%,10V,X7R,TP,1005,-	GRP155R71A473KA01E
36	C322	2404-001105	C-TA,CHIP;10UF,20%,6.3V,GP,TP,2012	TCSCS0J106MPAR
37	C333	2203-005061	C-CERAMIC,CHIP;100nF,+80-20%,16V,Y5V,TP,1005	CM05Y5V104Z16AH
38	C491	2203-005065	C-CERAMIC,CHIP;1000nF,+80-20%,10V,Y5V,TP,1608	CL10F105ZONC
39	C492	2203-000679	C-CERAMIC,CHIP;0.027nF,5%,50V,NP0,TP,1005	CM05CG270J50AH
40	C533	2203-000995	C-CERAMIC,CHIP;0.047nF,5%,50V,NP0,TP,1005	C1005C0G1H470JT
41	C534	2203-000995	C-CERAMIC,CHIP;0.047nF,5%,50V,NP0,TP,1005	C1005C0G1H470JT
42	C554	2203-001017	C-CERAMIC,CHIP;0.004nF,0.25pF,50V,NP0,TP,1005	CL05C040CBNC

NO	Reference	SEC Code	Part Description	Vendor Part No
43	C555	2203-001017	C-CERAMIC,CHIP;0.004nF,0.25pF,50V,NP0,TP,1005	CL05C040CBNC
44	C556	2203-000386	C-CERAMIC,CHIP;0.015nF,5%,50V,NP0,TP,1005	GRP1555C1H150JZ01E
45	C557	2203-003054	C-CERAMIC,CHIP;0.009nF,0.25pF,50V,NP0,TP,1005	GRP1555C1H9R0DZ01E
46	C600	2203-000438	C-CERAMIC,CHIP;1nF,10%,50V,X7R,TP,1005,-	CM05X7R102K50AH
47	C601	2203-000254	C-CERAMIC,CHIP;10nF,10%,16V,X7R,TP,1005,-	CL05B103KONC
48	C602	2203-000278	C-CERAMIC,CHIP;0.01nF,0.5pF,50V,NP0,TP,1005	C1005C0G1H100DT
49	C604	2203-001259	C-CERAMIC,CHIP;0.008nF,0.5pF,50V,NP0,TP,1005	C1005C0G1H080DT
50	C605	2203-005055	C-CERAMIC,CHIP;0.0056nF,0.25pF,50V,NP0,TP,1005	CL05C5R6CBNC
51	C607	2203-000278	C-CERAMIC,CHIP;0.01nF,0.5pF,50V,NP0,TP,1005	C1005C0G1H100DT
52	C608	2203-000233	C-CERAMIC,CHIP;0.1nF,5%,50V,NP0,TP,1005	CL05C101JBNC
53	C609	2203-000679	C-CERAMIC,CHIP;0.027nF,5%,50V,NP0,TP,1005	CM05CG270J50AH
54	C611	2203-000995	C-CERAMIC,CHIP;0.047nF,5%,50V,NP0,TP,1005	C1005C0G1H470JT
55	C612	2203-001259	C-CERAMIC,CHIP;0.008nF,0.5pF,50V,NP0,TP,1005	C1005C0G1H080DT
56	C615	2203-000438	C-CERAMIC,CHIP;1nF,10%,50V,X7R,TP,1005,-	CM05X7R102K50AH
57	C618	2203-000654	C-CERAMIC,CHIP;270pF,10%,50V,X7R,TP,1005,-	CL05B271KBNC
58	C619	2203-000679	C-CERAMIC,CHIP;0.027nF,5%,50V,NP0,TP,1005	CM05CG270J50AH
59	C620	2203-000679	C-CERAMIC,CHIP;0.027nF,5%,50V,NP0,TP,1005	CM05CG270J50AH
60	C621	2203-000278	C-CERAMIC,CHIP;0.01nF,0.5pF,50V,NP0,TP,1005	C1005C0G1H100DT
61	C622	2203-000438	C-CERAMIC,CHIP;1nF,10%,50V,X7R,TP,1005,-	CM05X7R102K50AH
62	C623	2203-000233	C-CERAMIC,CHIP;0.1nF,5%,50V,NP0,TP,1005	CL05C101JBNC
63	C624	2203-000233	C-CERAMIC,CHIP;0.1nF,5%,50V,NP0,TP,1005	CL05C101JBNC
64	C625	2203-005053	C-CERAMIC,CHIP;0.0039nF,0.25pF,50V,NP0,TP,1005	CM05CG3R9C50AH
65	C626	2203-000812	C-CERAMIC,CHIP;0.033nF,5%,50V,NP0,TP,1005	GRP1555C1H330JZ01E
66	C627	2203-000438	C-CERAMIC,CHIP;1nF,10%,50V,X7R,TP,1005,-	CM05X7R102K50AH
67	C630	2203-000359	C-CERAMIC,CHIP;0.15nF,5%,50V,NP0,TP,1005	CL05C151JBNC
68	C631	2203-000654	C-CERAMIC,CHIP;270pF,10%,50V,X7R,TP,1005,-	CL05B271KBNC
69	C632	2203-000438	C-CERAMIC,CHIP;1nF,10%,50V,X7R,TP,1005,-	CM05X7R102K50AH
70	C635	2203-000679	C-CERAMIC,CHIP;0.027nF,5%,50V,NP0,TP,1005	CM05CG270J50AH
71	C636	2203-000438	C-CERAMIC,CHIP;1nF,10%,50V,X7R,TP,1005,-	CM05X7R102K50AH
72	C637	2203-000679	C-CERAMIC,CHIP;0.027nF,5%,50V,NP0,TP,1005	CM05CG270J50AH
73	C638	2203-000438	C-CERAMIC,CHIP;1nF,10%,50V,X7R,TP,1005,-	CM05X7R102K50AH
74	C639	2203-000254	C-CERAMIC,CHIP;10nF,10%,16V,X7R,TP,1005,-	CL05B103KONC
75	C640	2203-000812	C-CERAMIC,CHIP;0.033nF,5%,50V,NP0,TP,1005	GRP1555C1H330JZ01E
76	C641	2404-001105	C-TA,CHIP;10UF,20%,6.3V,GP,TP,2012	TCSCS0J106MPAR
77	C643	2203-000233	C-CERAMIC,CHIP;0.1nF,5%,50V,NP0,TP,1005	CL05C101JBNC
78	C644	2404-001280	C-TA,CHIP;220UF,20%,6.3V,LZ,TP,7132	F750J227MUCGZT
79	C645	2203-000438	C-CERAMIC,CHIP;1nF,10%,50V,X7R,TP,1005,-	CM05X7R102K50AH
80	C646	2203-005446	C-CERAMIC,CHIP;0.0027nF,0.1pF,50V,NP0,TP,1005	GRP1555C1H2R7BZ01E
81	C647	2203-005050	C-CERAMIC,CHIP;0.0018nF,0.25pF,50V,NP0,TP,1005	CM05CG1R8C50AH
82	C648	2203-000438	C-CERAMIC,CHIP;1nF,10%,50V,X7R,TP,1005,-	CM05X7R102K50AH
83	C649	2404-001101	C-TA,CHIP;1uF,20%,16V,GP,TP,2012,-	TESVSP1C105M8RTJ
84	C650	2203-000438	C-CERAMIC,CHIP;1nF,10%,50V,X7R,TP,1005,-	CM05X7R102K50AH

NO	Reference	SEC Code	Part Description	Vendor Part No
85	C651	2203-000812	C-CERAMIC,CHIP;0.033nF,5%,50V,NP0,TP,1005	GRP1555C1H330JZ01E
86	C652	2203-002443	C-CERAMIC,CHIP;0.33nF,10%,50V,X7R,TP,1005	CL05B331KBNC
87	C653	2301-001197	C-FILM,CHIP;0.39nF,5%,50V,TP,2x1.25x0.8mm,-	ECHU1H391JX5
88	C654	2301-001213	C-FILM,CHIP;6.8nF,5%,16V,TP,2012,-	ECHU1C682JX5
89	C655	2203-000679	C-CERAMIC,CHIP;0.027nF,5%,50V,NP0,TP,1005	CM05CG270J50AH
90	C658	2203-000812	C-CERAMIC,CHIP;0.033nF,5%,50V,NP0,TP,1005	GRP1555C1H330JZ01E
91	C662	2203-002525	C-CERAMIC,CHIP;0.56nF,10%,50V,X7R,TP,1005	GRP155R71H561KD01E
92	C664	2203-000233	C-CERAMIC,CHIP;0.1nF,5%,50V,NP0,TP,1005	CL05C101JBNC
93	C665	2203-000233	C-CERAMIC,CHIP;0.1nF,5%,50V,NP0,TP,1005	CL05C101JBNC
94	C669	2203-000254	C-CERAMIC,CHIP;10nF,10%,16V,X7R,TP,1005,-	CL05B103KONC
95	C670	2203-002525	C-CERAMIC,CHIP;0.56nF,10%,50V,X7R,TP,1005	GRP155R71H561KD01E
96	C671	2203-000254	C-CERAMIC,CHIP;10nF,10%,16V,X7R,TP,1005,-	CL05B103KONC
97	C672	2203-000438	C-CERAMIC,CHIP;1nF,10%,50V,X7R,TP,1005,-	CM05X7R102K50AH
98	C673	2203-002525	C-CERAMIC,CHIP;0.56nF,10%,50V,X7R,TP,1005	GRP155R71H561KD01E
99	C674	2203-000254	C-CERAMIC,CHIP;10nF,10%,16V,X7R,TP,1005,-	CL05B103KONC
100	C675	2203-000233	C-CERAMIC,CHIP;0.1nF,5%,50V,NP0,TP,1005	CL05C101JBNC
101	C676	2203-000233	C-CERAMIC,CHIP;0.1nF,5%,50V,NP0,TP,1005	CL05C101JBNC
102	C677	2203-000233	C-CERAMIC,CHIP;0.1nF,5%,50V,NP0,TP,1005	CL05C101JBNC
103	C678	2203-000233	C-CERAMIC,CHIP;0.1nF,5%,50V,NP0,TP,1005	CL05C101JBNC
104	C679	2203-000679	C-CERAMIC,CHIP;0.027nF,5%,50V,NP0,TP,1005	CM05CG270J50AH
105	C700	2203-000330	C-CERAMIC,CHIP;0.012nF,5%,50V,NP0,TP,1005	C1005C0G1H120JT
106	CN2	3710-001105	CONNECTOR-SOCKET;2P,1R,1.27mm,SMD-S,AU	24-8005-002-100-867
107	CN211	3711-004937	CONNECTOR-HEADER;BOX,14P,2R,0.5MM,SMD-S,AUF,NATURAL	AXK6F14335J
108	CN220	3710-001595	CONNECTOR-SOCKET;18P,1R,0.5mm,SMD-A,AUF	1004-0018-304
109	CN3	3710-001105	CONNECTOR-SOCKET;2P,1R,1.27mm,SMD-S,AU	24-8005-002-100-867
110	CN310	3709-001177	CONNECTOR-CARD EDGE;8P,2.54MM,-,-	ID1AS1-6S-2.54SFD
111	CN501	3722-001715	JACK-PHONE;6P,2.3PI,AG,BLK,-	02-828P0-53BKA
112	D300	0407-001007	DIODE-ARRAY;UMN1,80V,25mA,CA4-2,UM5,TR	UMN1TR
113	L600	2703-001669	INDUCTOR-SMD;72nH,5%,1.8x1.12x1.02mm	0603CS-72NXJBC
114	L601	2703-001669	INDUCTOR-SMD;2nH,5%,1.8x1.12x1.02mm	0603CS-72NXJBC
115	L602	2703-002201	INDUCTOR-SMD;33NH,5%,1.0X0.5X0.5MM	CIH05T33NJNC
116	L603	2703-001514	INDUCTOR-SMD;68nH,5%,1.8x1.12x1.02mm	0603CS-68NXJBC
117	L605	2703-002268	INDUCTOR-SMD;8.2NH,10%,1.0X0.5X0.5MM	CIH05T8N2JNC
118	L606	2703-002204	INDUCTOR-SMD;22NH,5%,1.0X0.5X0.5MM	CIH05T22NJNC
119	L607	2703-002281	INDUCTOR-SMD;5.6NH,10%,1.0X0.5X0.5MM	CIH05T5N6SNC
120	L608	2703-002170	INDUCTOR-SMD;6.8nH,5%,1x0.5x0.5mm	CIH05T6N8JNC
121	L609	2703-002201	INDUCTOR-SMD;33NH,5%,1.0X0.5X0.5MM	CIH05T33NJNC
122	L612	2703-001685	INDUCTOR-SMD;82nH,5%,1.7x1.14x1.02mm	0603CS-82NXJBC
123	L615	2703-002170	INDUCTOR-SMD;6.8nH,5%,1x0.5x0.5mm	CIH05T6N8JNC
124	L616	2703-002170	INDUCTOR-SMD;6.8nH,5%,1x0.5x0.5mm	CIH05T6N8JNC
125	L618	2703-002207	INDUCTOR-SMD;3.3NH,0.3NH,1.0X0.5X0.5MM	CIH05T3N3SNC
126	L620	2703-002268	INDUCTOR-SMD;8.2NH,10%,1.0X0.5X0.5MM	CIH05T8N2JNC

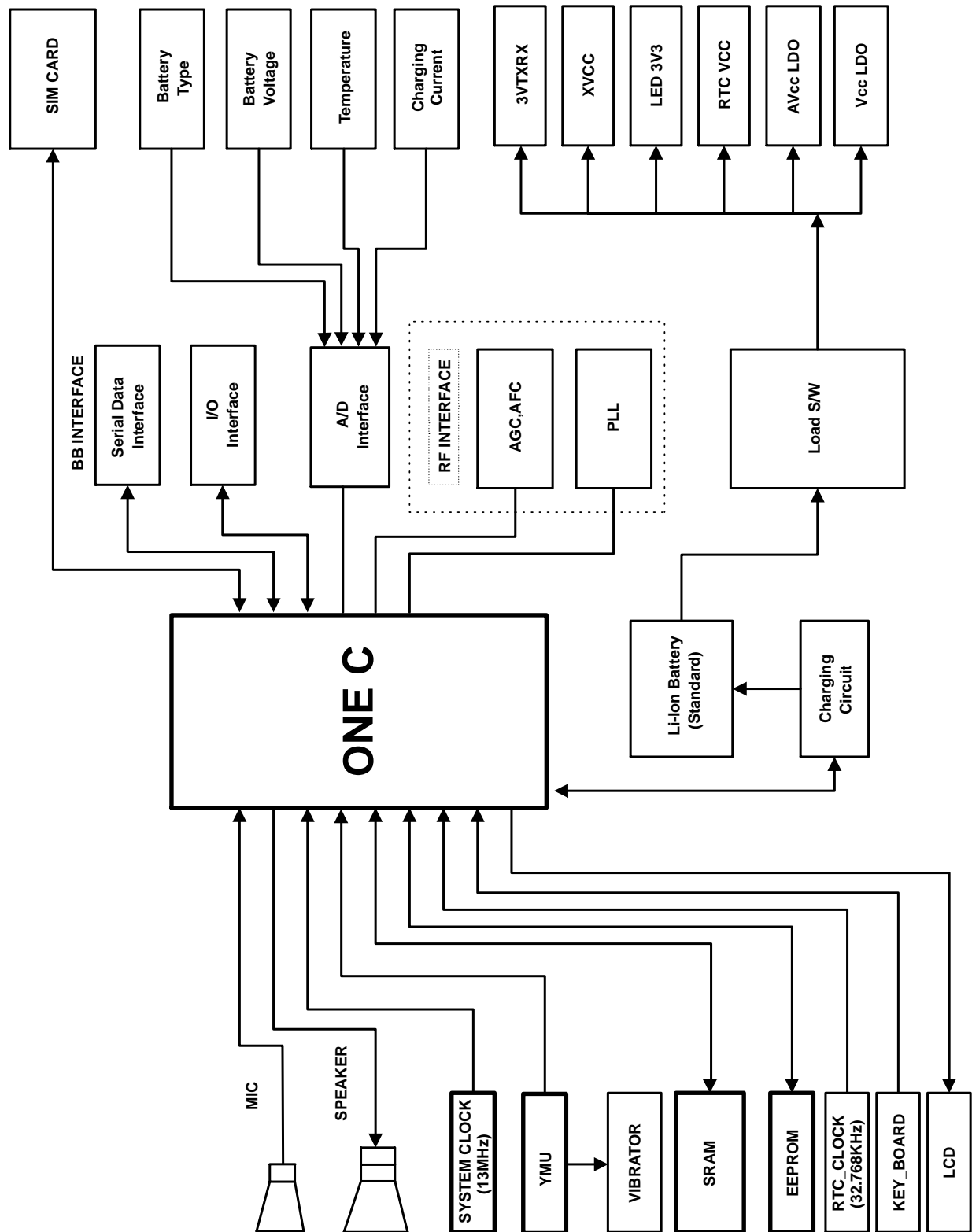
NO	Reference	SEC Code	Part Description	Vendor Part No
127	L622	2703-002198	INDUCTOR-SMD;10NH,5%,1.0X0.5X0.5MM	CIH05T10NJNC
128	L623	2703-002208	INDUCTOR-SMD;2.2NH,0.3NH,1.0X0.5X0.5MM	CIH05T2N2SNC
129	M100	4302-001119	BATTERY-LI(2ND);3V,0.1MAH,-,-,3.1V,-	02-828P0-53BKA
130	Q300	0506-001004	TR-ARRAY;UMC5N,NPN/PNP,2,50V,-,-100mA,3	UMC5NTR
131	Q303	0501-002346	TR-SMALL SIGNAL;2SB1427,PNP,500mW,SOT-89,TP,390-820	2SB1427
132	Q600	0504-001058	TR-DIGITAL;RN4985,NPN/PNP,200mW,2.2Kohm/47Kohm,UMD6,TP	RN4985-TE85L
133	Q601	0504-001058	TR-DIGITAL;RN4985,NPN/PNP,200mW,2.2Kohm/47Kohm,UMD6,TP	RN4985-TE85L
134	Q602	0504-001058	TR-DIGITAL;RN4985,NPN/PNP,200mW,2.2Kohm/47Kohm,UMD6,TP	RN4985-TE85L
135	Q603	0504-001012	TR-DIGITAL;DTC114YE,NPN,150MW,10K/47K,EMT3,TP	DTC114YE
136	Q604	0501-000225	TR-SMALL SIGNAL;2SC4617,NPN,200mW,EM3,TP,120-5	2SC4617R
137	R102	2007-000162	R-CHIP;100Kohm,5%,1/16W,DA,TP,1005	RC1005J104CS
138	R103	2007-000162	R-CHIP;100Kohm,5%,1/16W,DA,TP,1005	RC1005J104CS
139	R104	2007-000140	R-CHIP;1Kohm,5%,1/16W,DA,TP,1005	RC1005J102CS
140	R105	2007-000162	R-CHIP;100Kohm,5%,1/16W,DA,TP,1005	RC1005J104CS
141	R107	2007-000140	R-CHIP;1Kohm,5%,1/16W,DA,TP,1005	RC1005J102CS
142	R108	2007-000140	R-CHIP;1Kohm,5%,1/16W,DA,TP,1005	RC1005J102CS
143	R300	2007-000162	R-CHIP;100Kohm,5%,1/16W,DA,TP,1005	RC1005J104CS
144	R301	2007-000162	R-CHIP;100Kohm,5%,1/16W,DA,TP,1005	RC1005J104CS
145	R302	2007-000148	R-CHIP;10Kohm,5%,1/16W,DA,TP,1005	RC1005J103CS
146	R303	2007-000162	R-CHIP;100Kohm,5%,1/16W,DA,TP,1005	RC1005J104CS
147	R304	2007-000162	R-CHIP;100Kohm,5%,1/16W,DA,TP,1005	RC1005J104CS
148	R305	2007-000162	R-CHIP;100Kohm,5%,1/16W,DA,TP,1005	RC1005J104CS
149	R306	2007-000148	R-CHIP;10Kohm,5%,1/16W,DA,TP,1005	RC1005J104CS
150	R307	2007-000159	R-CHIP;56Kohm,5%,1/16W,DA,TP,1005	RC1005J563CS
151	R320	2007-007590	R-CHIP;82Kohm,1%,1/16W,DA,TP,1005	MCR01MZSF8202
152	R323	2007-007107	R-CHIP;100Kohm,1%,1/16W,DA,TP,1005	RK73H1ETP1003F
153	R328	2007-008117	R-CHIP;2.7Kohm,1%,1/16W,DA,TP,1005	RK73H1ETP2701F
154	R331	2007-000170	R-CHIP;1Mohm,5%,1/16W,DA,TP,1005	RC1005J105CS
155	R332	2007-003028	R-CHIP;750KOHM,5%,1/16W,DA,TP,1005	TSR16GJ754V
156	R492	2007-000143	R-CHIP;4.7Kohm,5%,1/16W,DA,TP,1005	RC1005J472CS
157	R602	2007-001298	R-CHIP;51ohm,5%,1/16W,DA,TP,1005	RC1005J510CS
158	R604	2007-000172	R-CHIP;10ohm,5%,1/16W,DA,TP,1005	RC1005J100CS
159	R605	2007-001298	R-CHIP;51ohm,5%,1/16W,DA,TP,1005	RC1005J510CS
160	R606	2007-001335	R-CHIP;36Kohm,5%,1/16W,DA,TP,1005	RC1005J363CS
161	R607	2007-000139	R-CHIP;220ohm,5%,1/16W,DA,TP,1005	RC1005J221CS
162	R608	2007-000139	R-CHIP;220ohm,5%,1/16W,DA,TP,1005	RC1005J221CS
163	R609	2007-001290	R-CHIP;24ohm,5%,1/16W,DA,TP,1005	ERJ2GEJ240X
164	R610	2007-000138	R-CHIP;100ohm,5%,1/16W,DA,TP,1005	RC1005J101CS
165	R611	2007-001290	R-CHIP;24ohm,5%,1/16W,DA,TP,1005	ERJ2GEJ240X
166	R612	2007-001301	R-CHIP;68ohm,5%,1/16W,DA,TP,1005	RC1005J680CS
167	R613	2007-000139	R-CHIP;220ohm,5%,1/16W,DA,TP,1005	RC1005J221CS
168	R614	2007-000139	R-CHIP;220ohm,5%,1/16W,DA,TP,1005	RC1005J221CS

NO	Reference	SEC Code	Part Description	Vendor Part No
169	R615	2007-000138	R-CHIP;100ohm,5%,1/16W,DA,TP,1005	RC1005J101CS
170	R616	2007-000138	R-CHIP;100ohm,5%,1/16W,DA,TP,1005	RC1005J101CS
171	R621	2007-000174	R-CHIP;47ohm,5%,1/16W,DA,TP,1005	RK73K1ETP470J
172	R623	2007-007311	R-CHIP;22Kohm,1%,1/16W,DA,TP,1005	MCR01MZSF2202
173	R624	2007-000148	R-CHIP;10Kohm,5%,1/16W,DA,TP,1005	RC1005J103CS
174	R632	2007-000140	R-CHIP;1Kohm,5%,1/16W,DA,TP,1005	RC1005J102CS
175	R633	2007-000148	R-CHIP;10Kohm,5%,1/16W,DA,TP,1005	RC1005J103CS
176	R634	2007-000148	R-CHIP;10Kohm,5%,1/16W,DA,TP,1005	RC1005J103CS
177	R635	2007-000141	R-CHIP;2.2Kohm,5%,1/16W,DA,TP,1005	RC1005J222CS
178	R636	2007-007529	R-CHIP;91Kohm,1%,1/16W,DA,TP,1005	MCR01MZSF9102
179	R637	2007-000172	R-CHIP;10ohm,5%,1/16W,DA,TP,1005	RC1005J100CS
180	R638	2007-000153	R-CHIP;22Kohm,5%,1/16W,DA,TP,1005	RC1005J203CS
181	R639	2007-000148	R-CHIP;10Kohm,5%,1/16W,DA,TP,1005	RC1005J103CS
182	R640	2007-000140	R-CHIP;1Kohm,5%,1/16W,DA,TP,1005	RC1005J102CS
183	R641	2007-000148	R-CHIP;10Kohm,5%,1/16W,DA,TP,1005	RC1005J103CS
184	R642	2011-001264	R-NETWORK;10ohm,5%,1/16W,L,CHIP,8P,TP	EXB28V100J
185	R643	2007-000140	R-CHIP;1Kohm,5%,1/16W,DA,TP,1005	RC1005J102CS
186	R644	2007-000172	R-CHIP;10ohm,5%,1/16W,DA,TP,1005	RC1005J100CS
187	SW1	3404-001152	SWITCH-TACT;12V DC,20mA,160gf,4.5x4.0x2.3mm,SPST	LS10N2-T
188	SW2	3404-001152	SWITCH-TACT;12V DC,20mA,160gf,4.5x4.0x2.3mm,SPST	LS10N2-T
189	TH300	1404-001005	THERMISTOR-NTC;47Kohm,5%,4050K,2.0mW/C,TP	NTH5G20P40B473J07TE
190	U102	1203-002076	IC-VOLTAGE REGULATOR;2985,SOT-23,5P,63MIL, PLASTIC,2.9/3.1V,-,-40to+125C,350mA,-,TP	LP2985AIM5X-3.0
191	U103	1203-001701	IC-VOLTAGE REGULATOR;2982,SOT-23,5P,-, PLASTIC,3.0V,-,-40TO+125C,50MA,1.23V,TP	LP2982AIM5X-3.0
192	U104	0505-001423	FET-SILICON;FDG6323L,N/P,-,-,-,0.3W,SC70-6	FDG6323L
193	U105	1203-002076	IC-VOLTAGE REGULATOR;2985,SOT-23,5P,63MIL, PLASTIC,2.9/3.1V,-,-40to+125C,350mA,-,TP	LP2985AIM5X-3.0
194	U106	0505-001376	FET-SILICON;FDC6329L,N/P,8V,2.5A,-,0.7W,SC-74	FDC6329L
195	U110	1203-002076	IC-VOLTAGE REGULATOR;2985,SOT-23,5P,63MIL, PLASTIC,2.9/3.1V,-,-40to+125C,350mA,-,TP	LP2985AIM5X-3.0
196	U111	0505-001423	FET-SILICON;FDG6323L,N/P,-,-,-,0.3W,SC70-6	FDG6323L
197	U300	0505-001423	FET-SILICON;FDG6323L,N/P,-,-,-,0.3W,SC70-6	FDG6323L
198	U303	1203-002127	IC-BATTERY;1734,SOT-23,6P,150MIL,PLASTIC, 4.7/5.3V,-,0to+70C,1A,-,TP	LTC1734ES6-4.2#TR
199	U304	1203-001903	IC-DC/DC CONVERTER;1986,SOT-23,6P,-, PLASTIC,2.75/3.05 ,4.55/5.25,-,-40to+85C,10mA,-,TP	LTC1986ES6
200	U407	1203-001511	IC-RESET;809,SOT-23,3P,-,PLASTIC,0.3/6.	TCM809RENB713
201	U420	1003-001440	IC-POWER DRIVER;MDC3105LT1,SOT-23,3P, 49MIL,-,500MA,TP,PLASTIC,6V,-40TO+85C,225MA,-,-	MDC3105LT1
202	U600	3705-001242	CONNECTOR-COAXIAL;-,-JACK,100MOHM,50OHM,-	CRS5001-1702
203	U601	2903-001266	FILTER-DIELECTRIC;BP,225MHz,-,9dB,1.5dB,TP	MFKC225

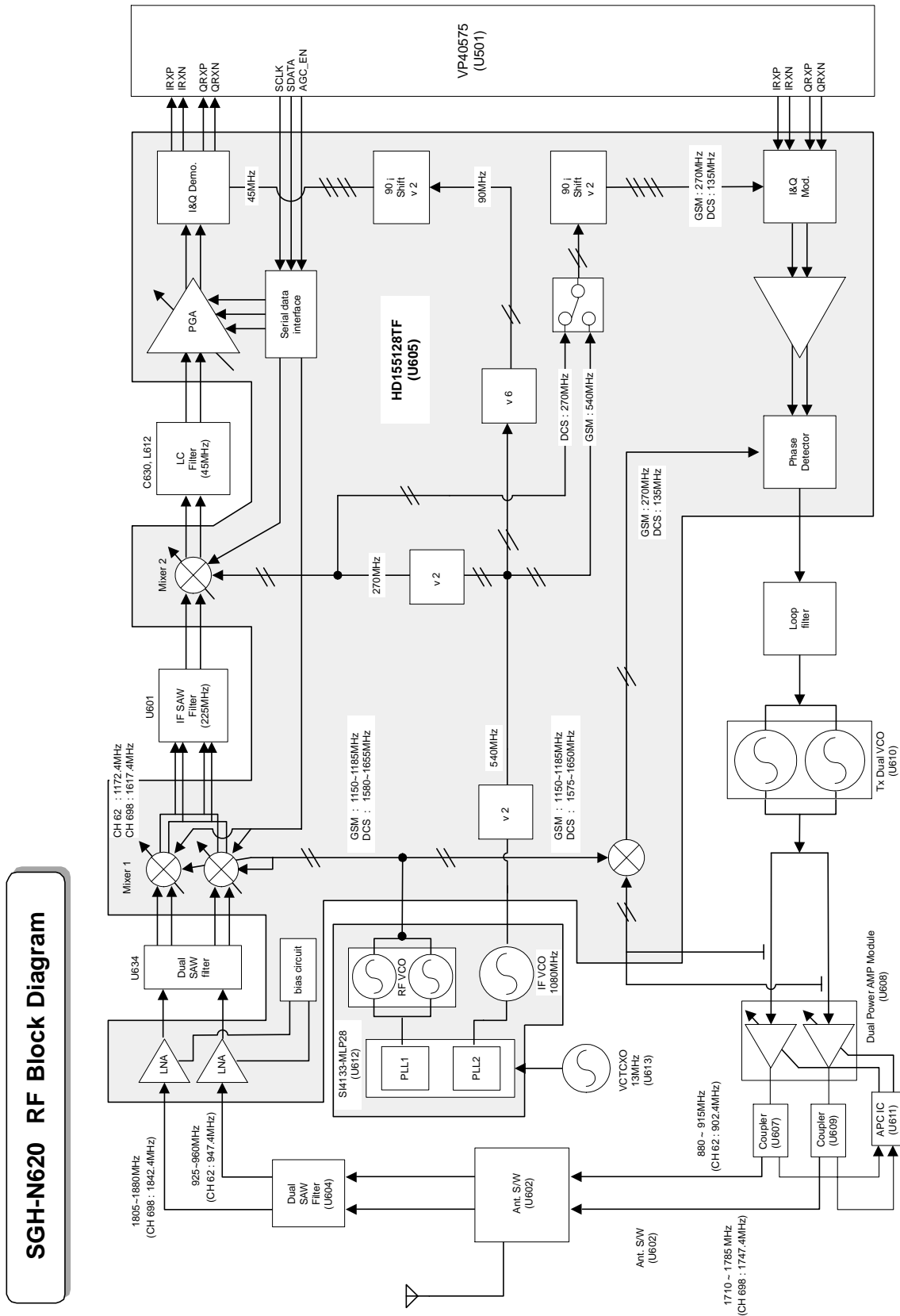
NO	Reference	SEC Code	Part Description	Vendor Part No
204	U602	2909-001146	FILTER-DUPLEXER;942.5MHZ,897.5MHZ,1.4/1.5DB,TP,-,-	LMG002S-5008C
205	U604	2904-001328	FILTER-SAW;1.8425GHZ,75MHZ,925~960MHZ/2.1DB,TP,925-960MHZ/2.8DB,0-1300MHZ/20DB	FAR-G6CS-1G8425-L250
206	U605	1205-001935	IC-TRANSCIVER;HD155128TF,TP,56P,-,-,3V,400mW,-20to+75C,QFP,-	HD155128TF
207	U607	4709-001214	COUPLER-DIRECTION;880-915MHZ,19.5+-1dB,13dB,2.0X1.25X0.7mm,TP	DCS214E-0897
208	U608	1201-001821	IC-POWER AMP;08122,-,8P,-,DUAL,34DB,-,7V,-,-25TO+100C,-,-,-,-,-	PF08122BS-TB
209	U609	4709-001213	COUPLER-DIRECTION;1710-1785MHZ,14+-1dB,12dB,2.0X1.25X0.7mm,TP	DCS214E-1747
210	U610	2806-001259	OSCILLATOR-VCO;1748MHZ,-,-,TP,2.85V,-	VOD1748C29KRA
211	U612	1209-001337	IC-PLL/SYNTHESISER;SI4133G-XM2R,LCC,28P,-,-,3.6V,-,-40to+85C,TP	SI4133GXM2R
212	U613	2809-001255	OSCILLATOR-VCTCXO;13MHZ,5PPM,10KOHM//10PF,TP,3V,2MA	TCO-9133S(13MHZ)
213	U634	2904-001328	FILTER-SAW;1.8425GHZ,75MHZ,925~960MHZ/2.1DB,TP,925-960MHZ/2.8DB,0-1300MHZ/20DB	FAR-G6CS-1G8425-L250
214	U636	1405-001110	VARISTOR;18V,20A,1X0.5X0.6MM,TP	AVLC 14S 02 050
215	V200	1405-001110	VARISTOR;18V,20A,1X0.5X0.6MM,TP	AVLC 14S 02 050
216	V201	1405-001110	VARISTOR;18V,20A,1X0.5X0.6MM,TP	AVLC 14S 02 050
217	V2010	1405-001093	VARISTOR;14V,20A,1x0.5x0.6mm,TP	AVL 14K 02 200
218	V202	1405-001110	VARISTOR;18V,20A,1X0.5X0.6MM,TP	AVLC 14S 02 050
219	V203	1405-001110	VARISTOR;18V,20A,1X0.5X0.6MM,TP	AVLC 14S 02 050
220	V204	1405-001110	VARISTOR;18V,20A,1X0.5X0.6MM,TP	AVLC 14S 02 050
221	V205	1405-001082	VARISTOR;5.6V,20A,1x0.5x0.6mm,TP	AVL 5M 02 200
222	V206	1405-001110	VARISTOR;18V,20A,1X0.5X0.6MM,TP	AVLC 14S 02 050
223	V207	1405-001110	VARISTOR;18V,20A,1X0.5X0.6MM,TP	AVLC 14S 02 050
224	V208	1405-001110	VARISTOR;18V,20A,1X0.5X0.6MM,TP	AVLC 14S 02 050
225	V209	1405-001093	VARISTOR;14V,20A,1x0.5x0.6mm,TP	AVL 14K 02 200
226	V212	1405-001093	VARISTOR;14V,20A,1x0.5x0.6mm,TP	AVL 14K 02 200
227	V213	1405-001093	VARISTOR;14V,20A,1x0.5x0.6mm,TP	AVL 14K 02 200
228	V400	1405-001082	VARISTOR;5.6V,20A,1x0.5x0.6mm,TP	AVL 5M 02 200
229	V401	1405-001082	VARISTOR;5.6V,20A,1x0.5x0.6mm,TP	AVL 5M 02 200
230	V402	1405-001082	VARISTOR;5.6V,20A,1x0.5x0.6mm,TP	AVL 5M 02 200
231	V502	1405-001082	VARISTOR;5.6V,20A,1x0.5x0.6mm,TP	AVL 5M 02 200
232	V503	1405-001082	VARISTOR;5.6V,20A,1x0.5x0.6mm,TP	AVL 5M 02 200
233	V504	1405-001082	VARISTOR;5.6V,20A,1x0.5x0.6mm,TP	AVL 5M 02 200
234	V505	1405-001082	VARISTOR;5.6V,20A,1x0.5x0.6mm,TP	AVL 5M 02 200
235	V506	1405-001082	VARISTOR;5.6V,20A,1x0.5x0.6mm,TP	AVL 5M 02 200
236	V509	1405-001082	VARISTOR;5.6V,20A,1x0.5x0.6mm,TP	AVL 5M 02 200
237	ZD202	0406-001104	DIODE-TV;ESDA6V1-5W6,6.1/-/7.2V,100W,SOT-323-6L	ESDA6V1-5W6
238	ZD203	0406-001104	DIODE-TV;ESDA6V1-5W6,6.1/-/7.2V,100W,SOT-323-6L	ESDA6V1-5W6

4. Block Diagrams

4-1 Main Base Band



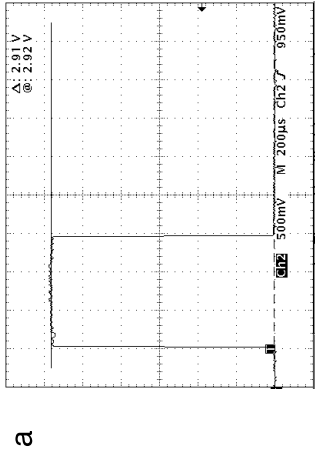
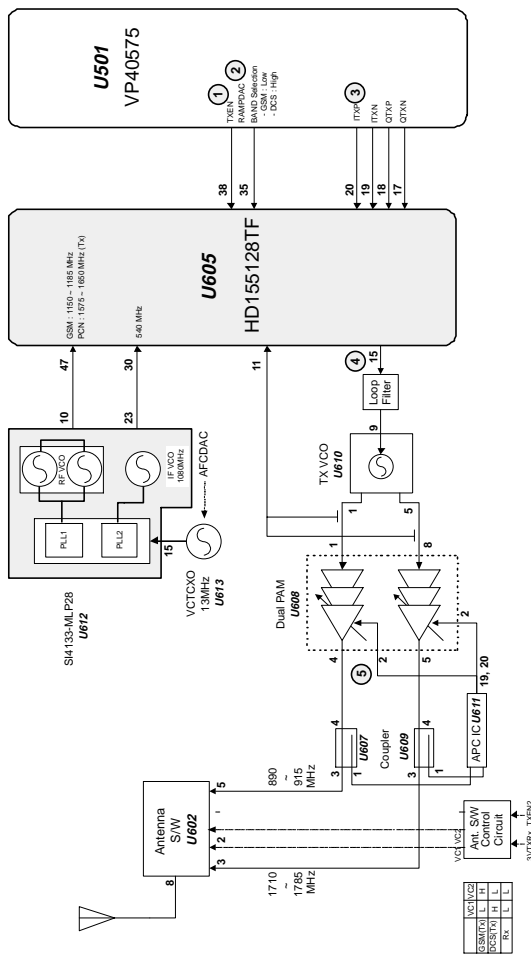
4-2 Main RF



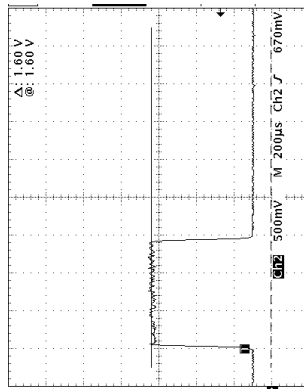
4-2-1 RF Tx Part

SGH-N620 RF Block Diagram - Tx Part

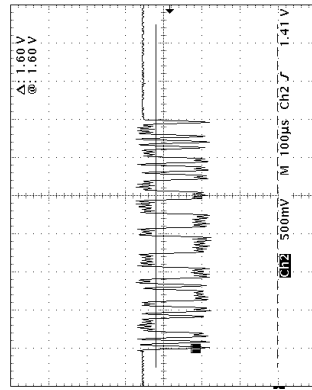
- GSM : Tx level 5 @ 60 CH
- DCS : Tx level 0 @ 698 CH



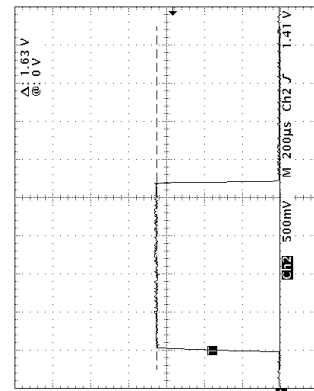
a



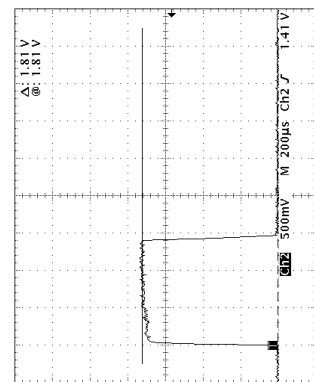
b



c



d



e

4-2-2 RF Rx Part

SGH-N620 RF Block Diagram - Rx Part

- GSM : Tx level 5 @ 60 CH, BS Power = - 40 dBm
- DCS : Tx level 0 @ 698 CH, BS Power = - 40 dBm

