

L2_L8_8471241A01_P3_1



Level 3 Schematics	2005.08.19
L2/L8	Rev. L0
Alexander Buehler, Michael Hansen	8471241A01_P3.1
	Page 1 of 7

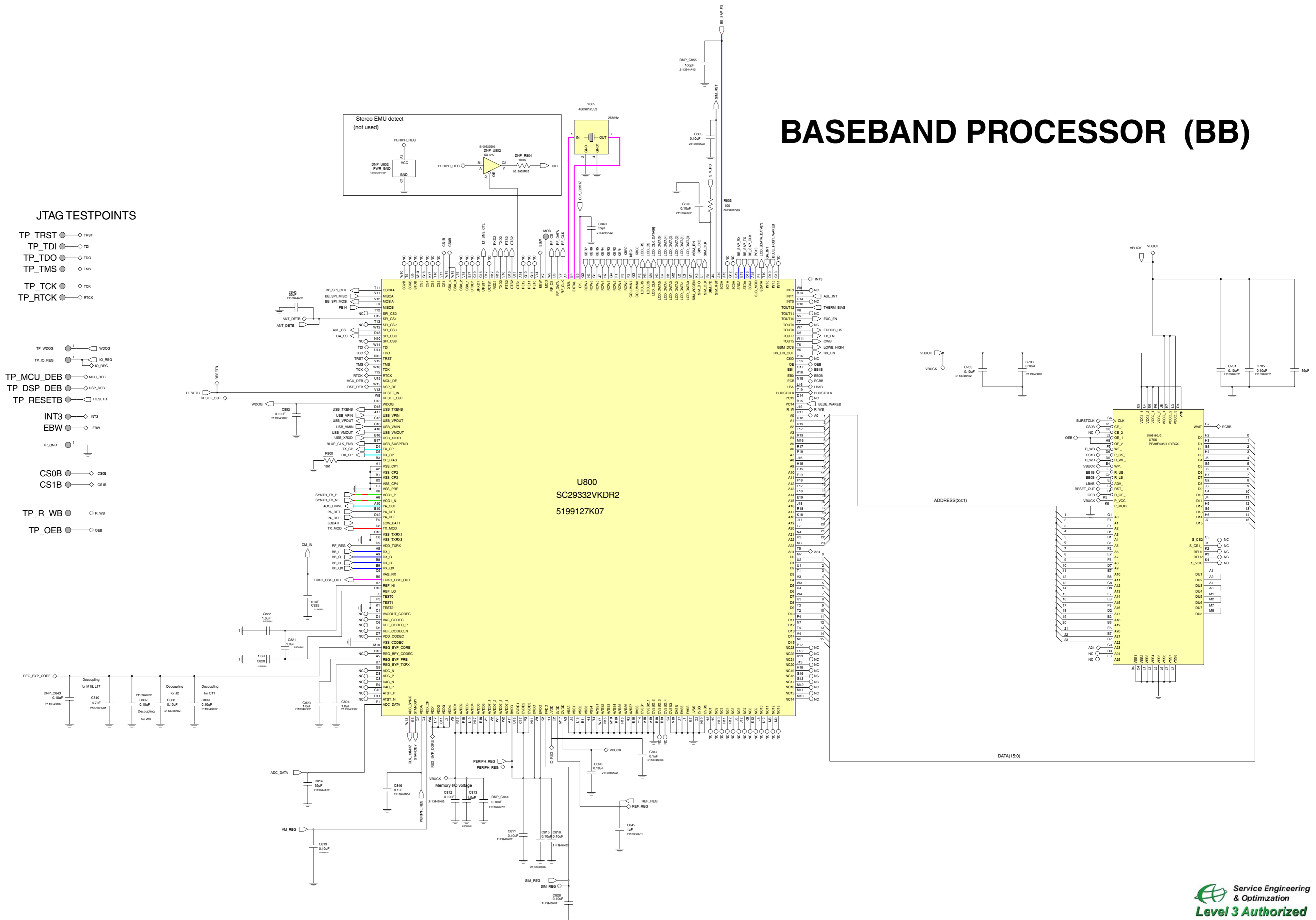
BASEBAND PROCESSOR (BB)

JTAG TESTPOINTS

- TP_TRST TRST
- TP_TDI TDI
- TP_TDO TDO
- TP_TMS TMS
- TP_TCK TCK
- TP_RTCK RTCK

- TP_WDOG WDOG
- TP_IO_REG IO_REG
- TP_MCU_DEB MCU_DEB
- TP_DSP_DEB DSP_DEB
- TP_RESETB RESETB
- INT3 INT3
- EBW EBW
- TP_GND GND
- CS0B CS0B
- CS1B CS1B

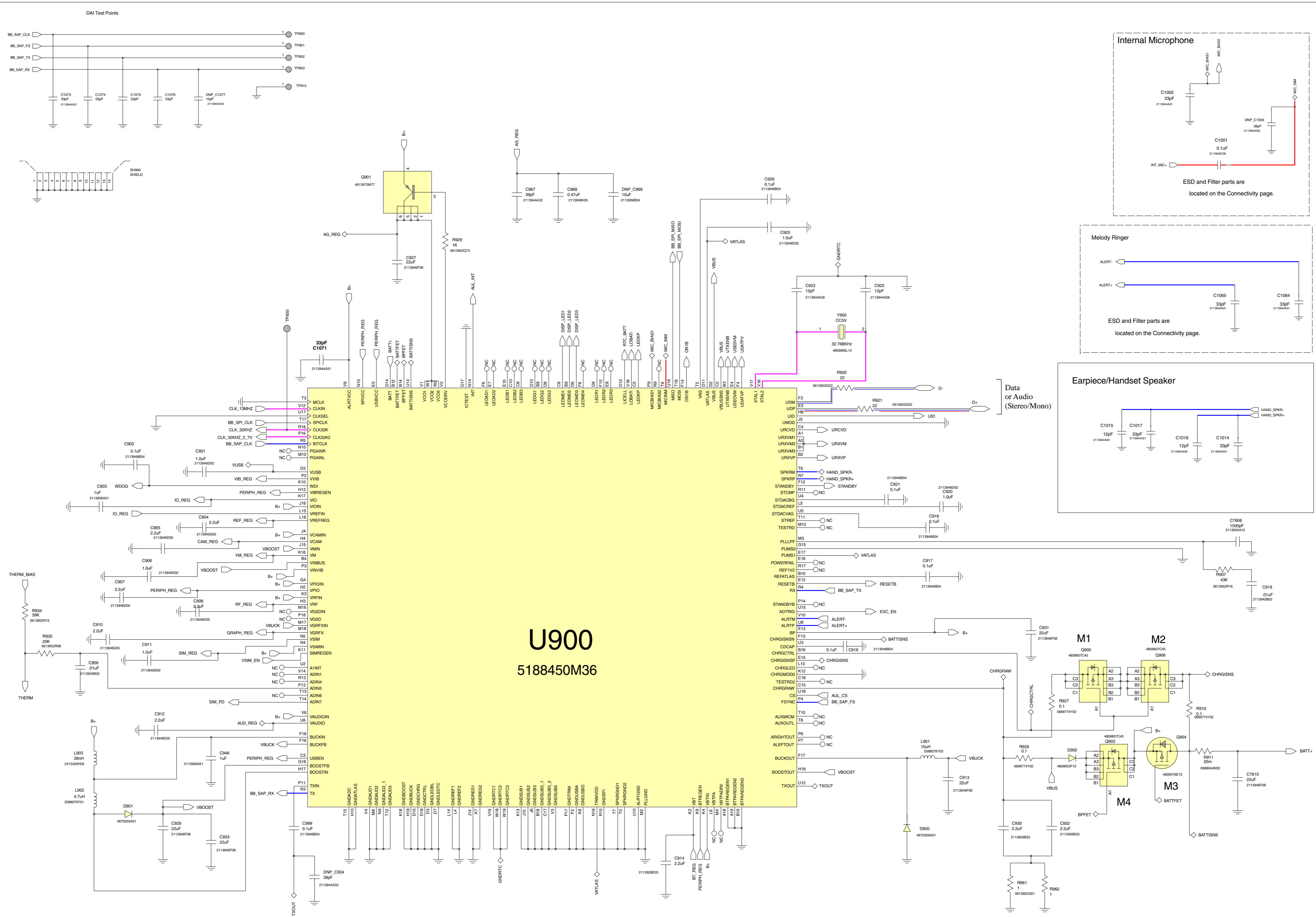
- TP_R_WB R_WB
- TP_OEB OEB



L2_L8_8471241A01_P3_1

Service Engineering & Optimization
Level 3 Authorized

2005.08.19
Level 3 Schematics
Rev. 1.0
L2/L8
8471241A01_P3.1
Alexander Buehler, Michael Hansen
Page 1 of 7

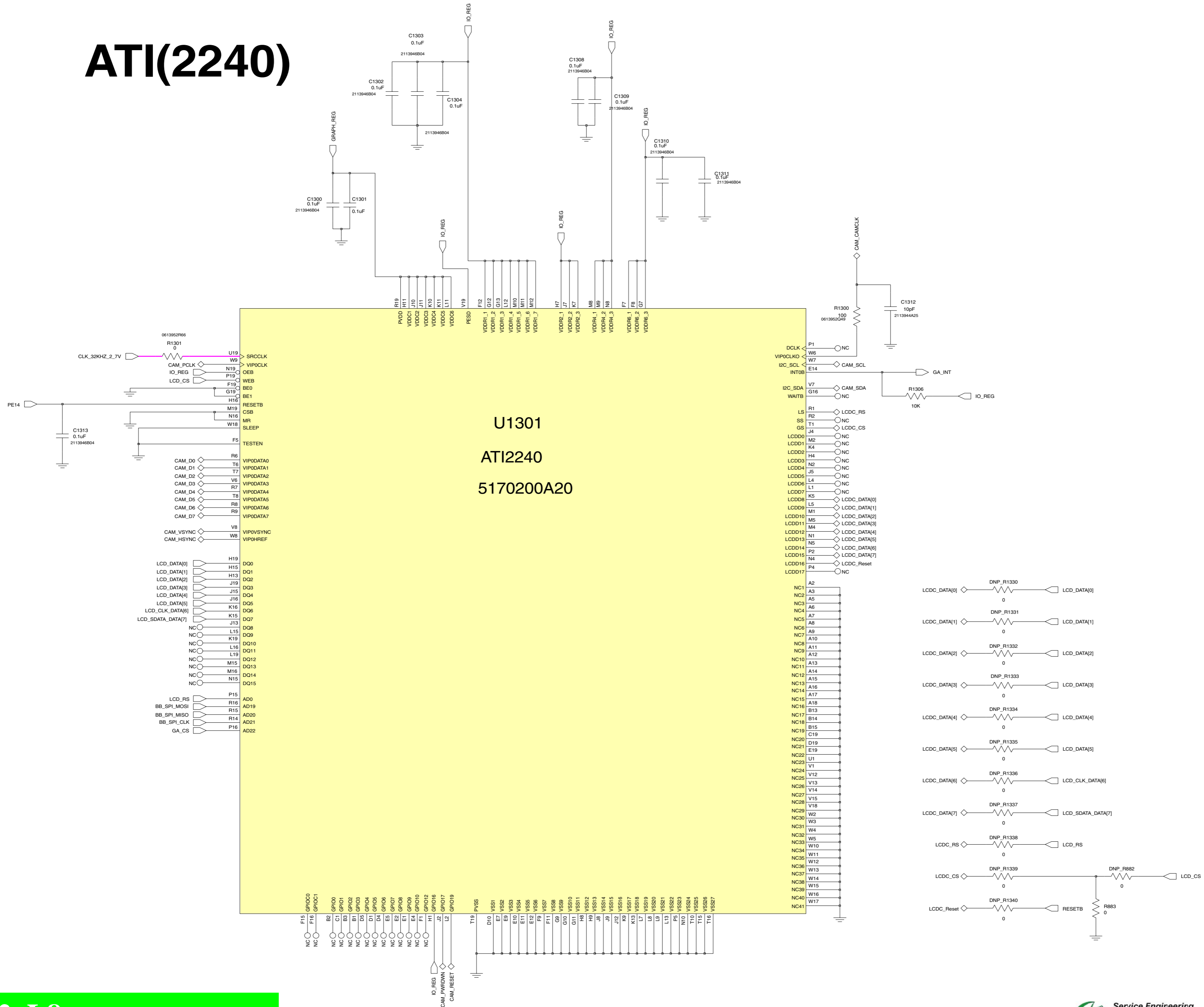


L2_L8_8471241A01_P3_1

Service Engineering & Optimization
Level 3 Authorized

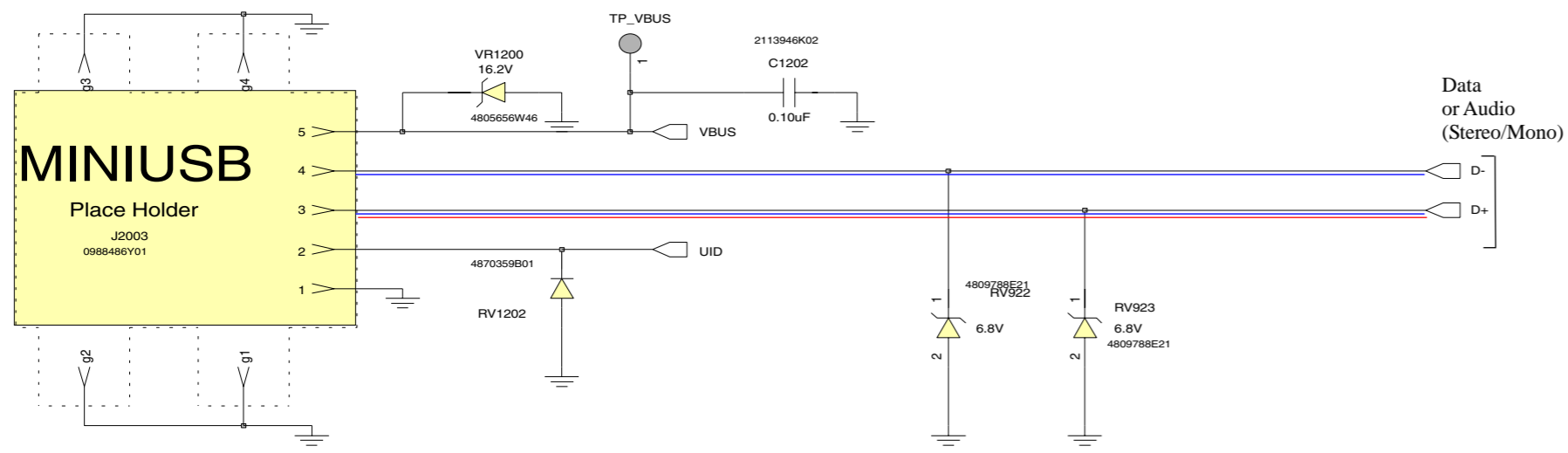
2005.08.19
Level 3 Schematics
L2 / L8
8471241A01_P3.1
Alexander Buchler, Michael Hansen
Page 1 of 7

ATI(2240)

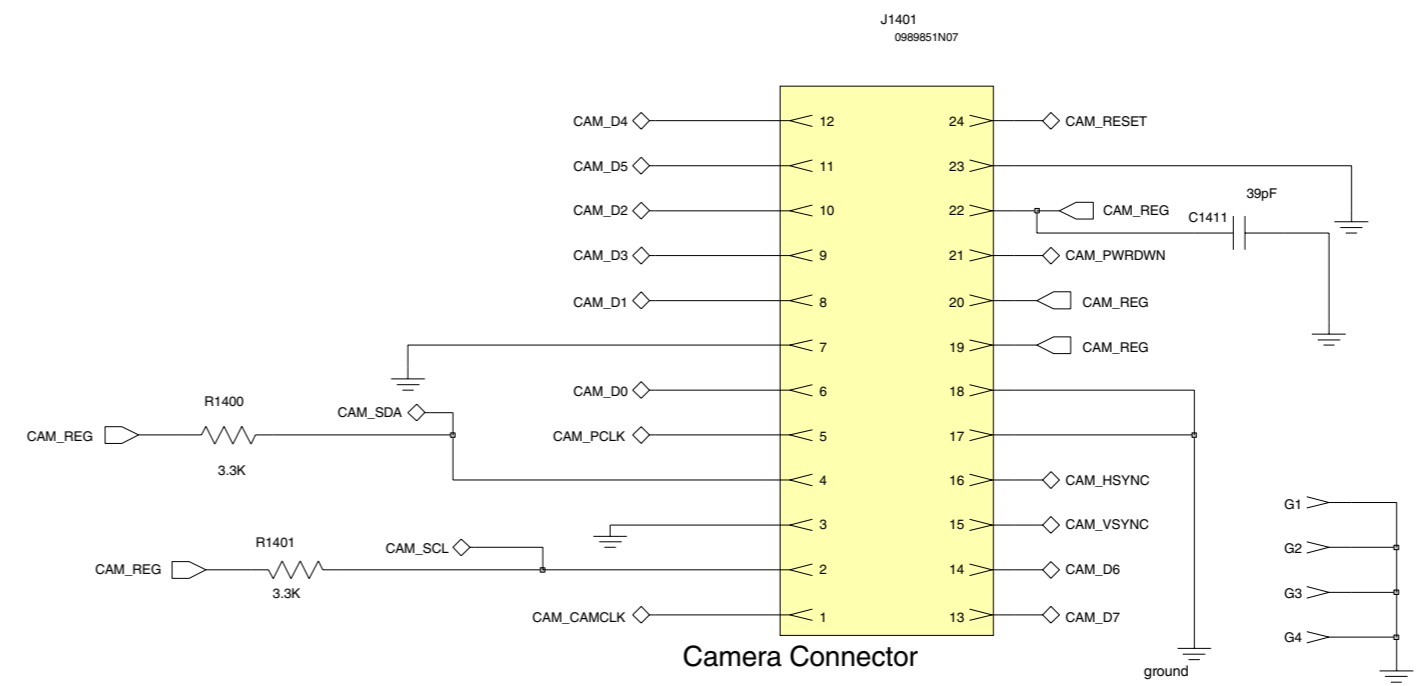


L2_L8_8471241A01_P3_1

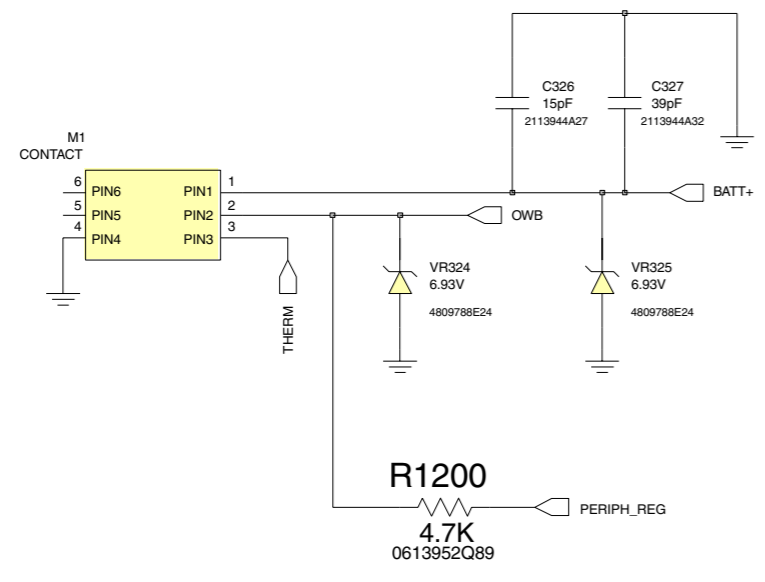
EMU Conn



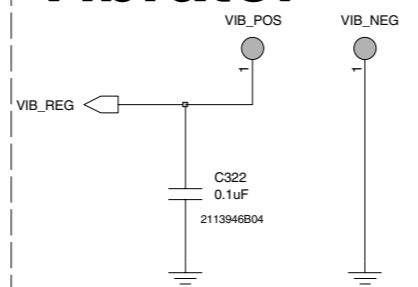
Camera_Conn



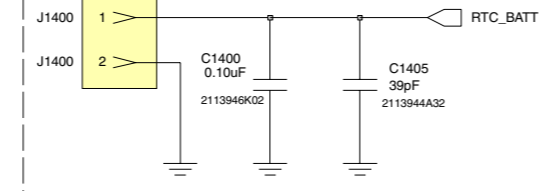
BATTERY



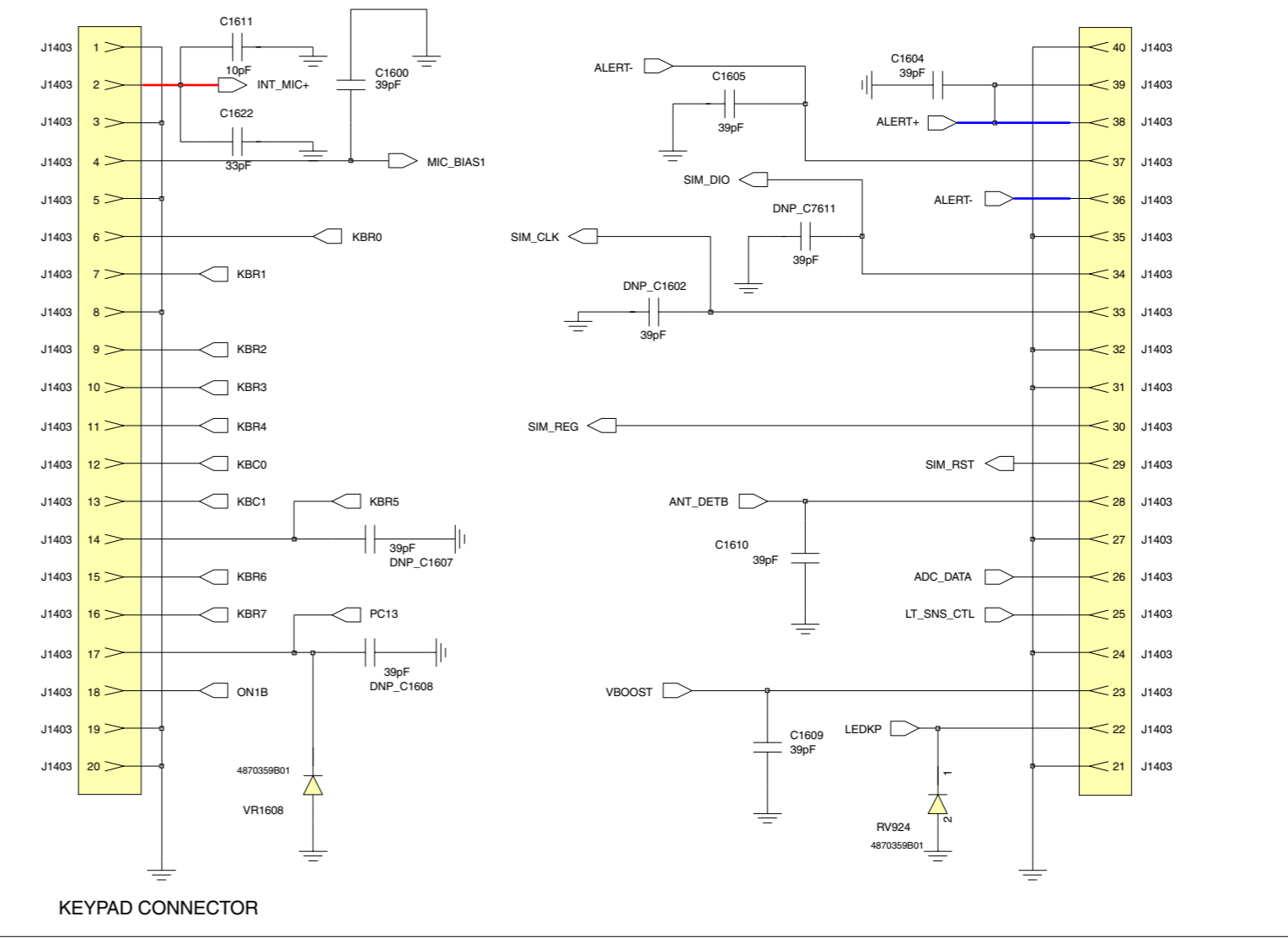
Vibrator



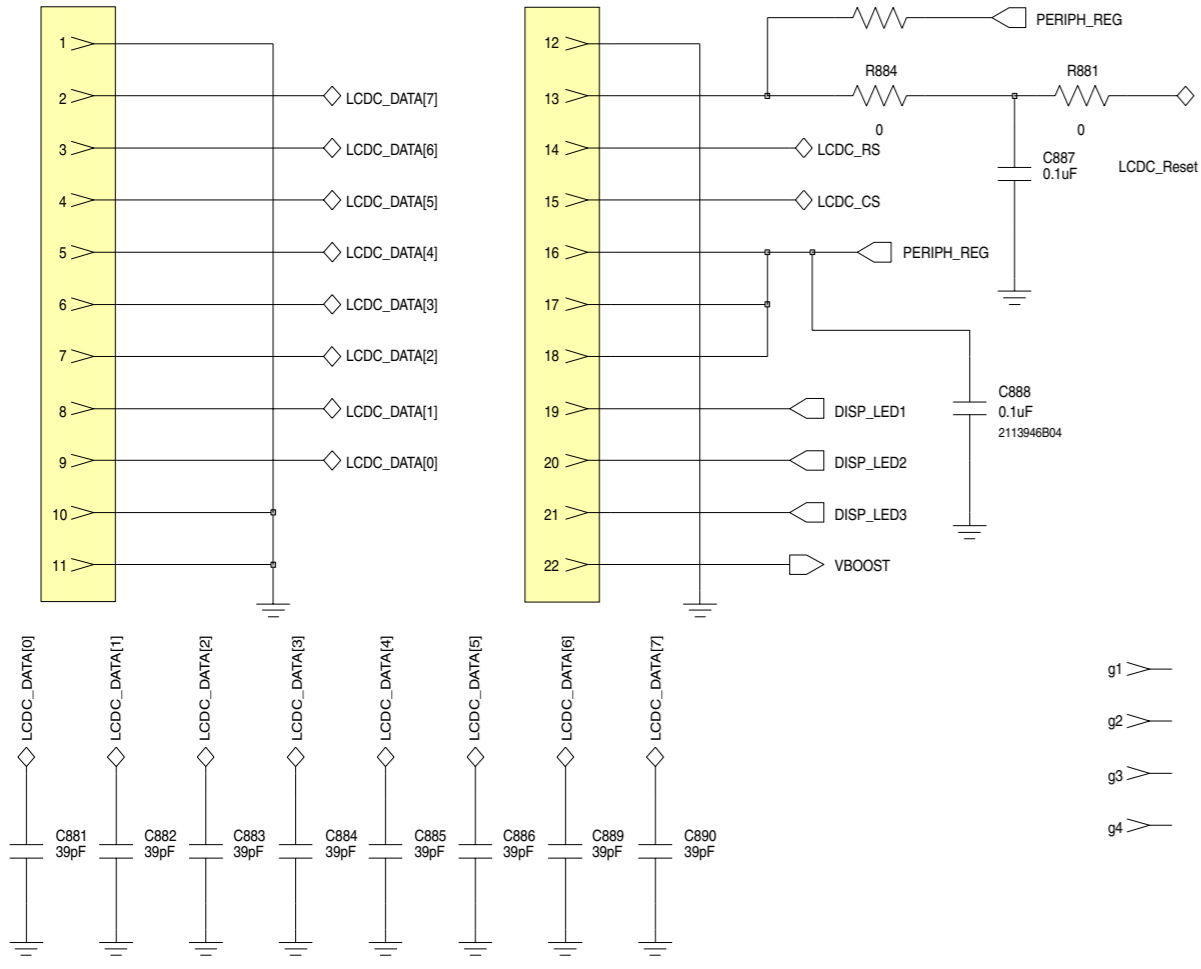
RTB Conn



Main Board Conn

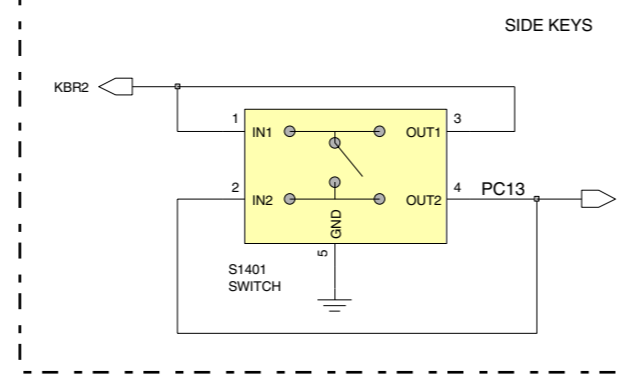


J887

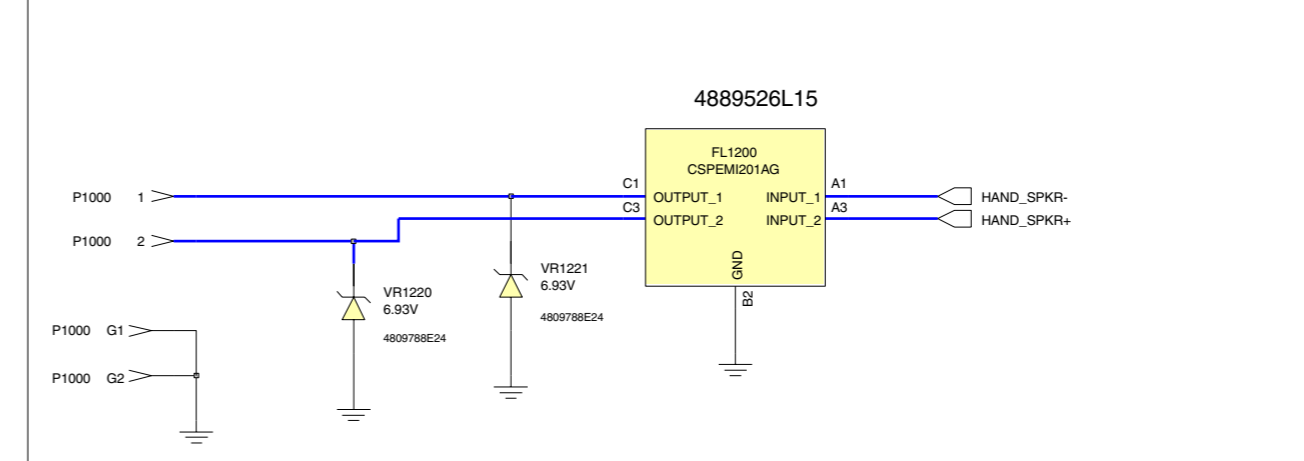


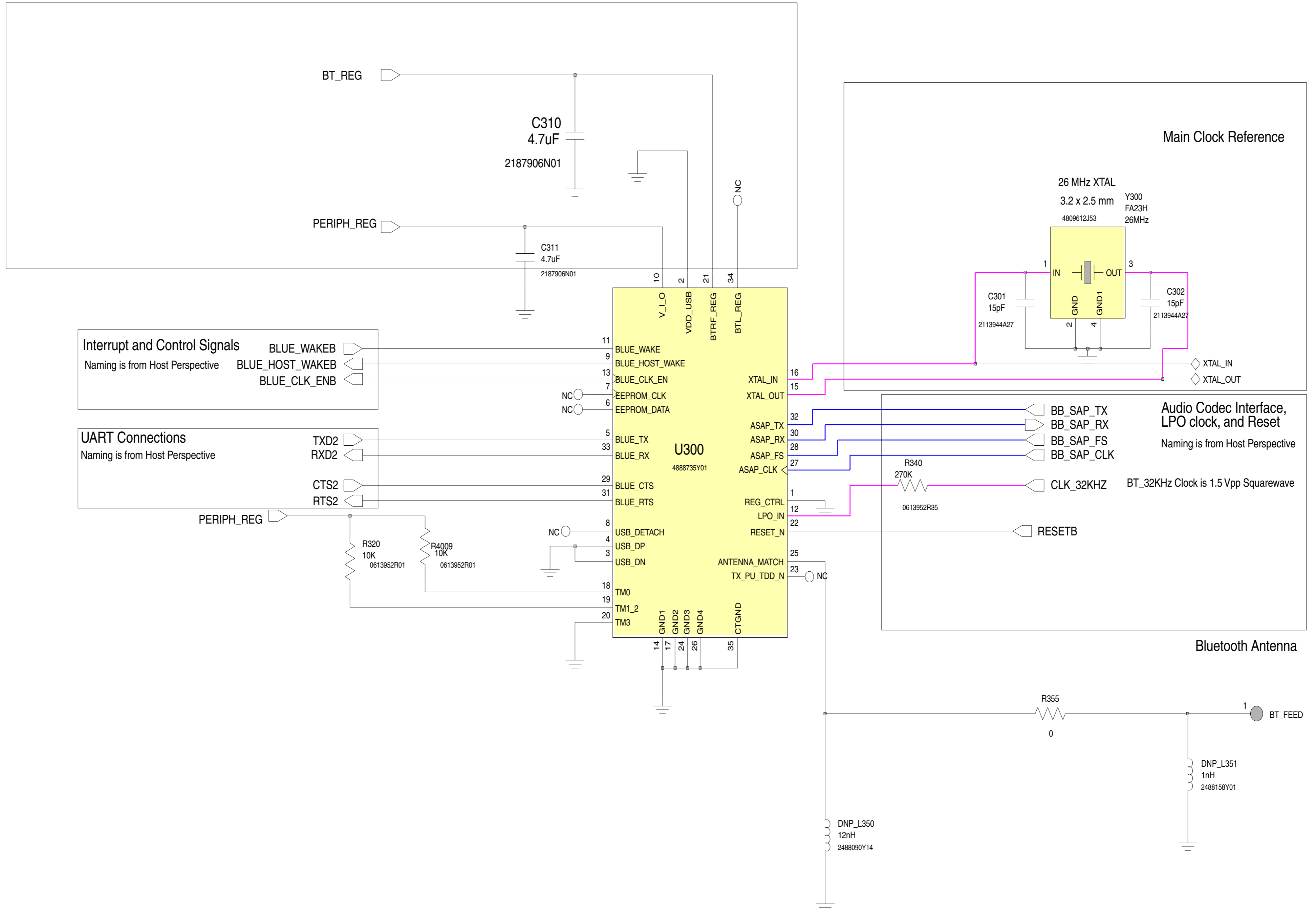
LCD_Conn

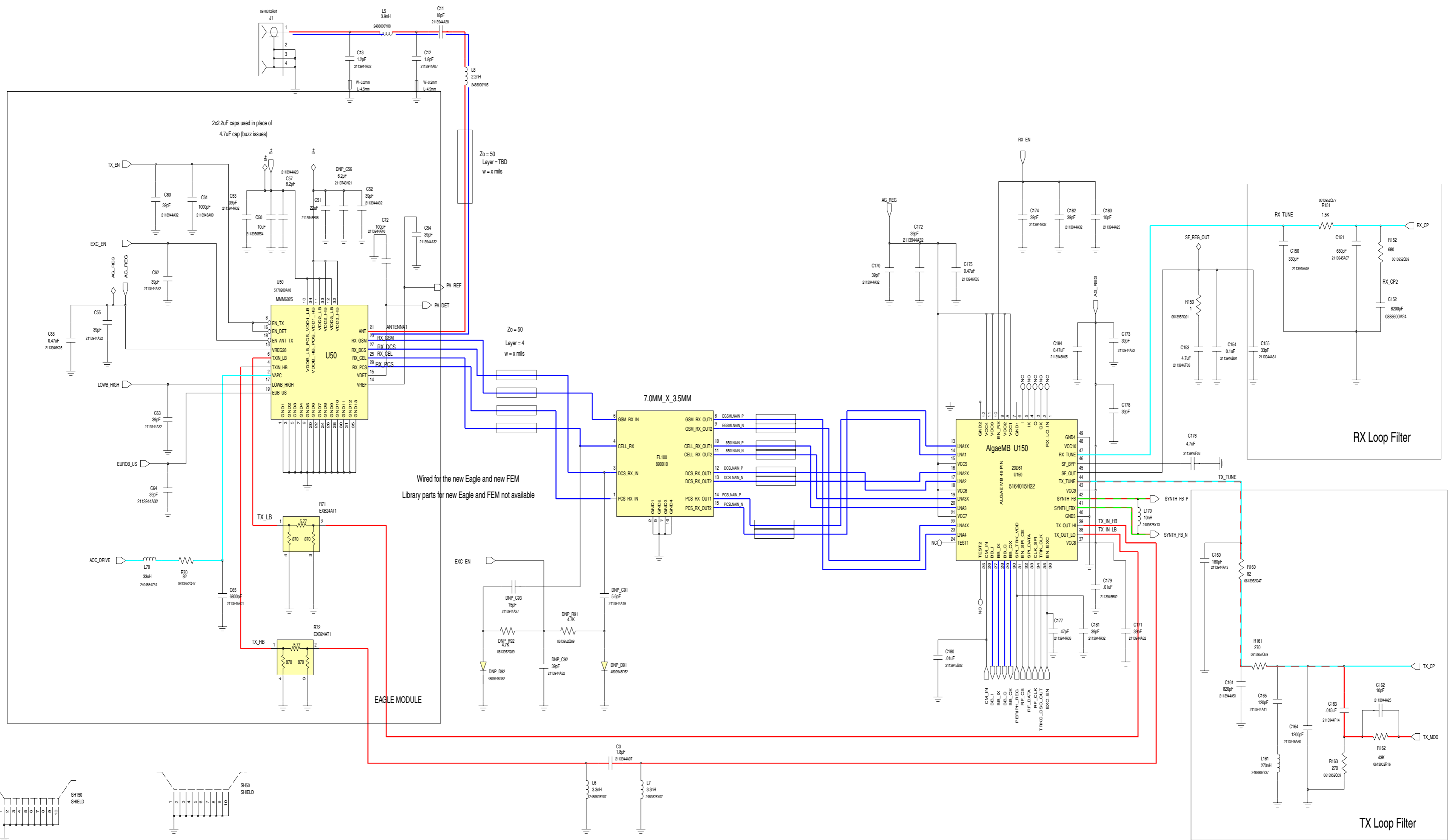
PTT/CAMERA SIDE KEYS

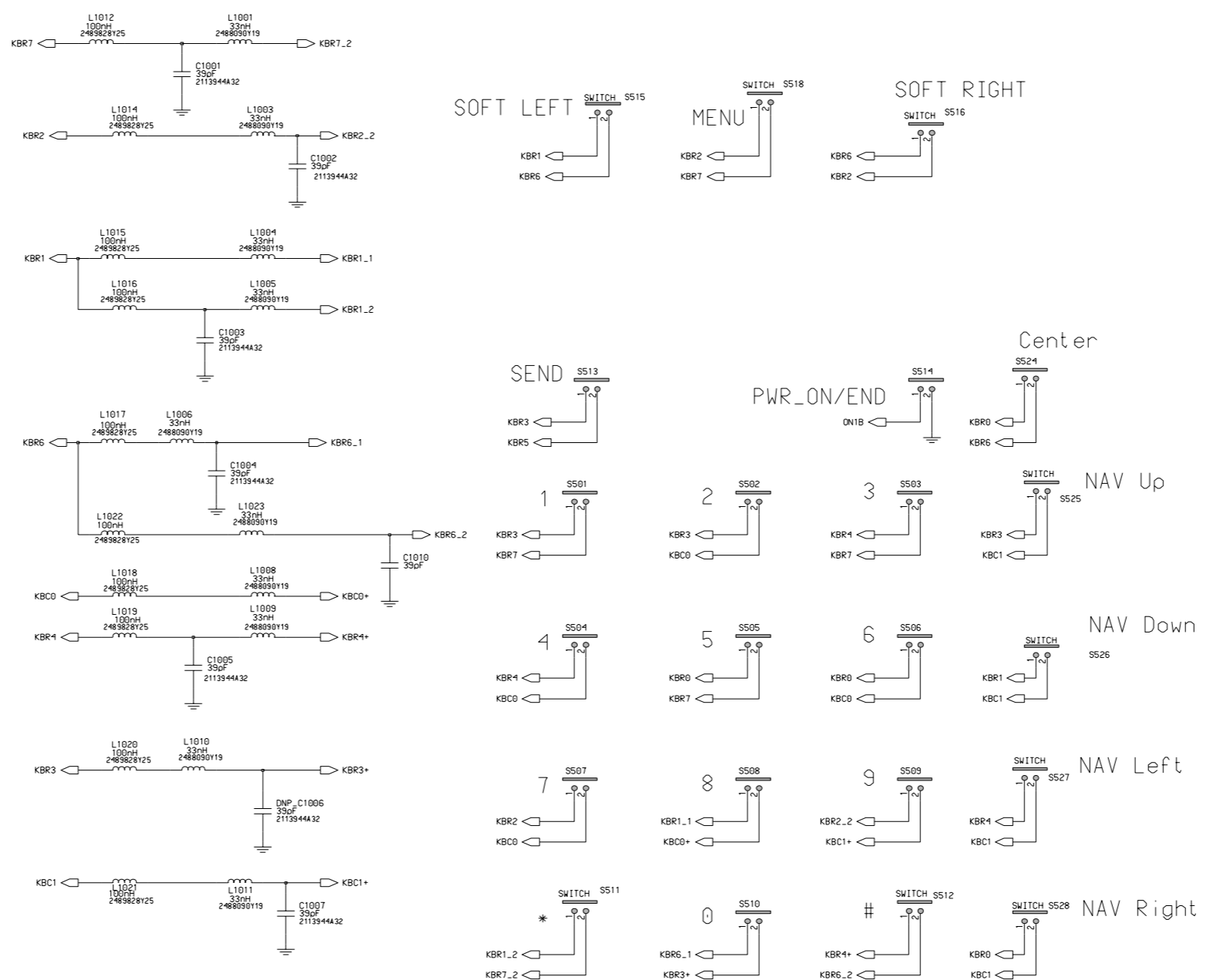
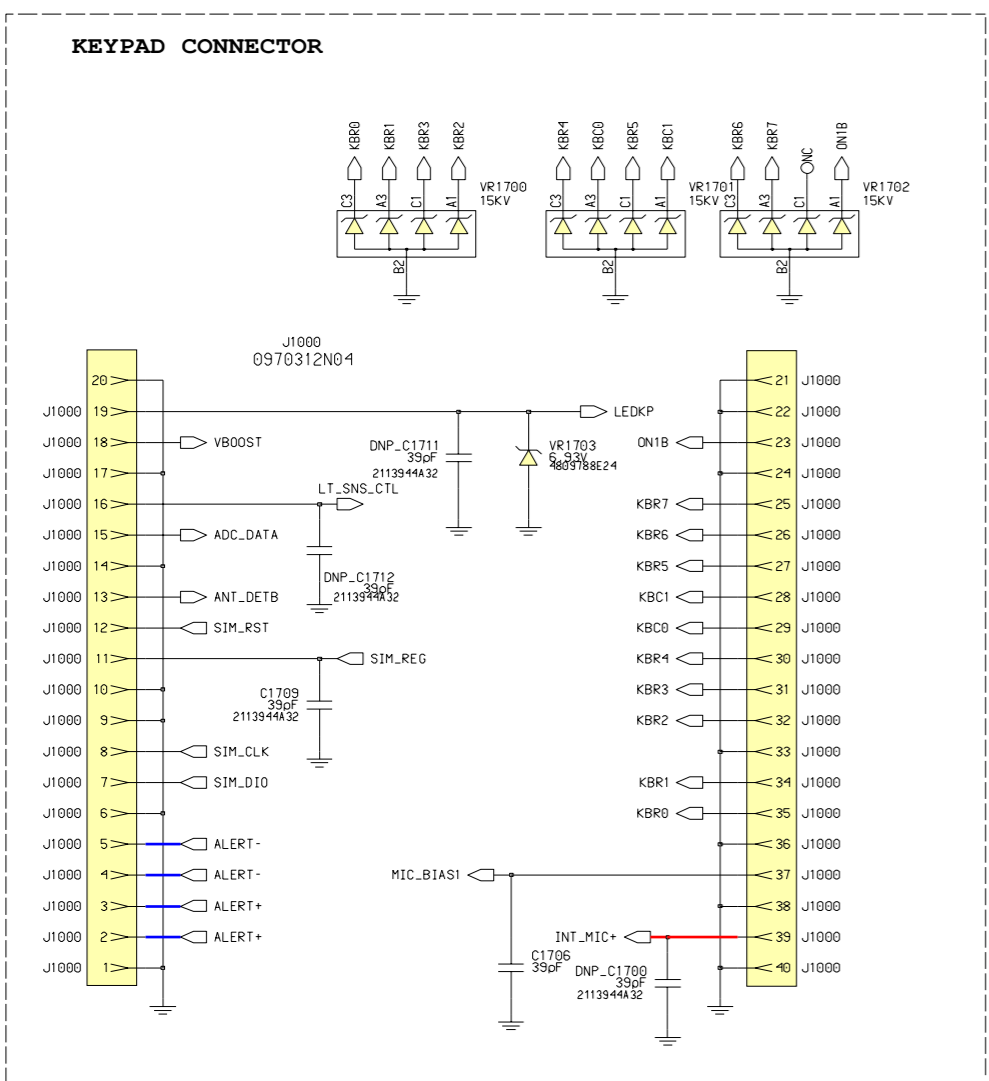
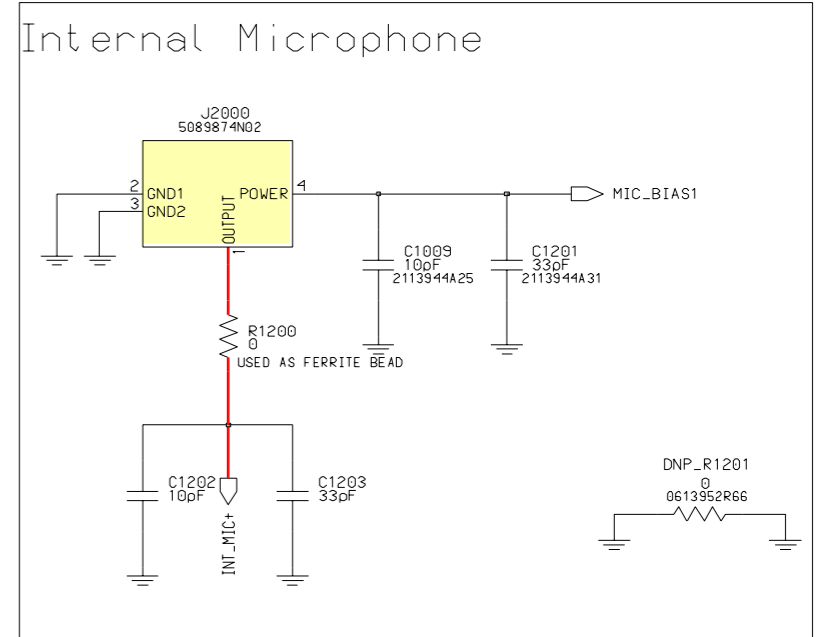
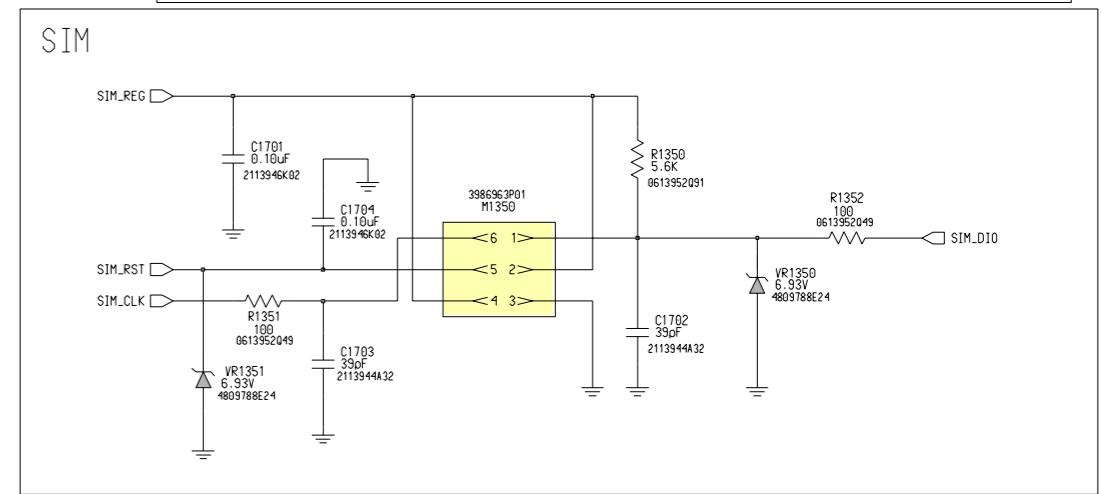
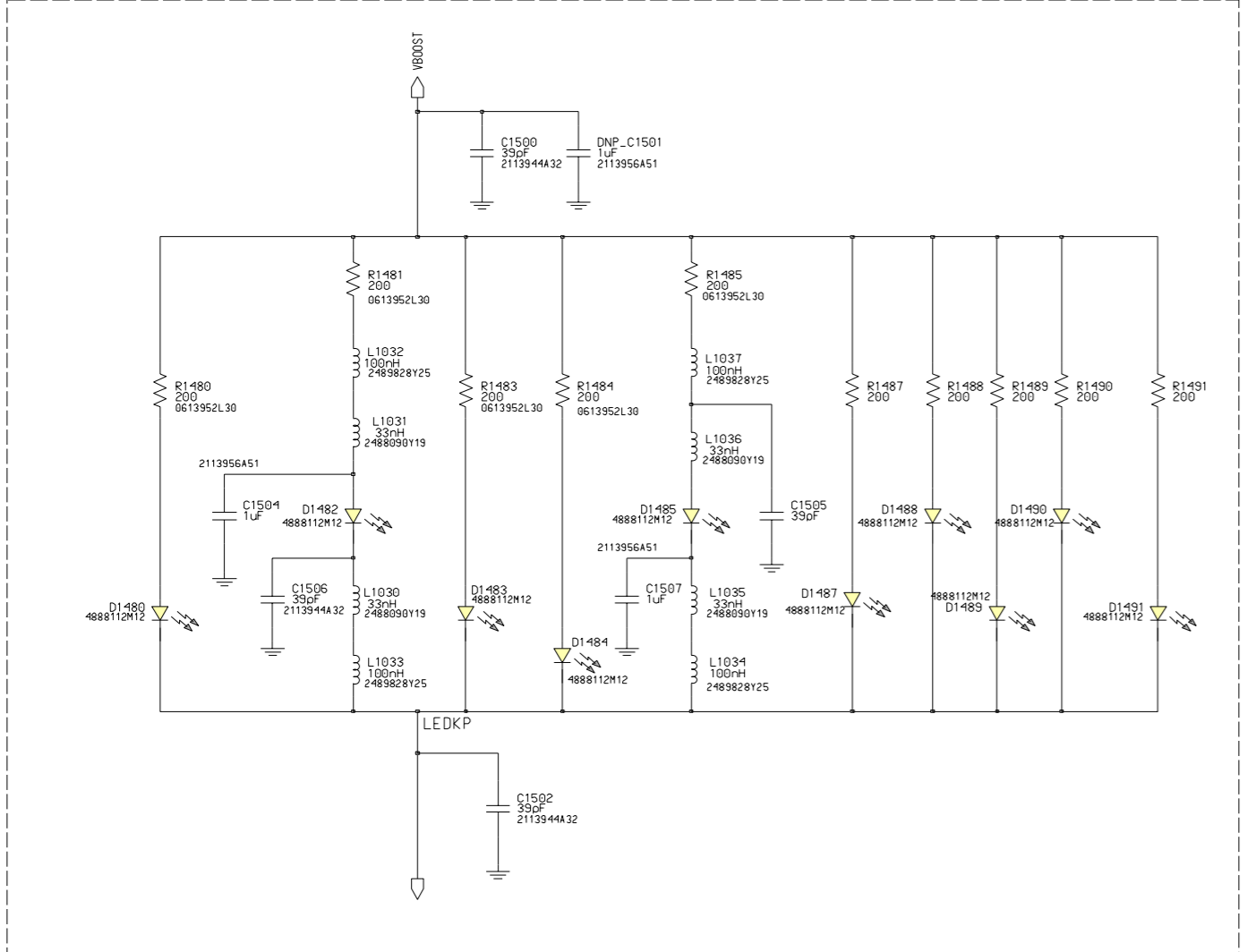
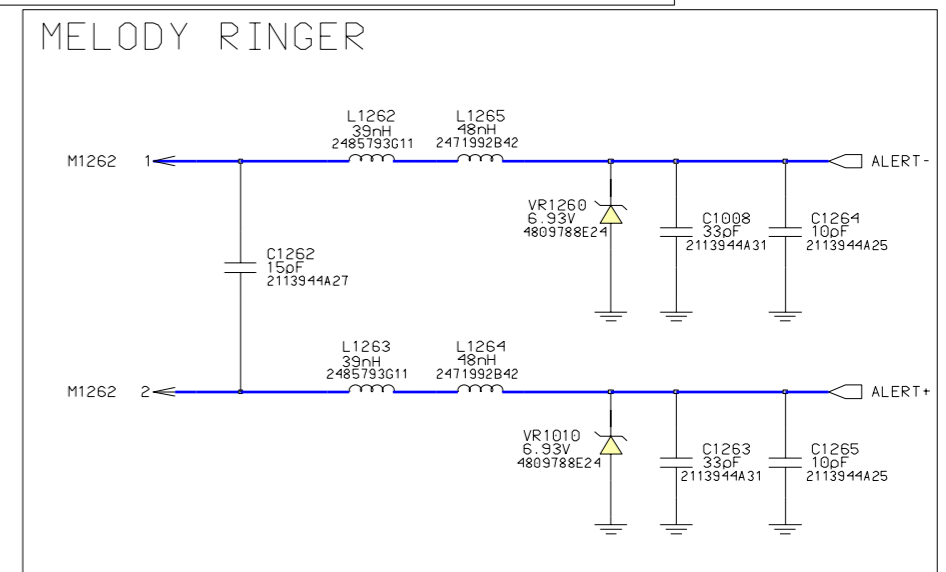
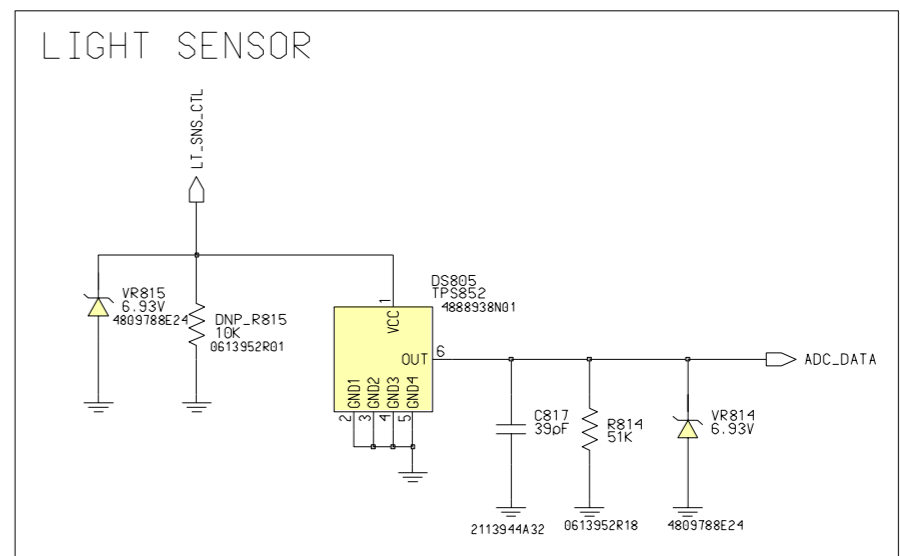
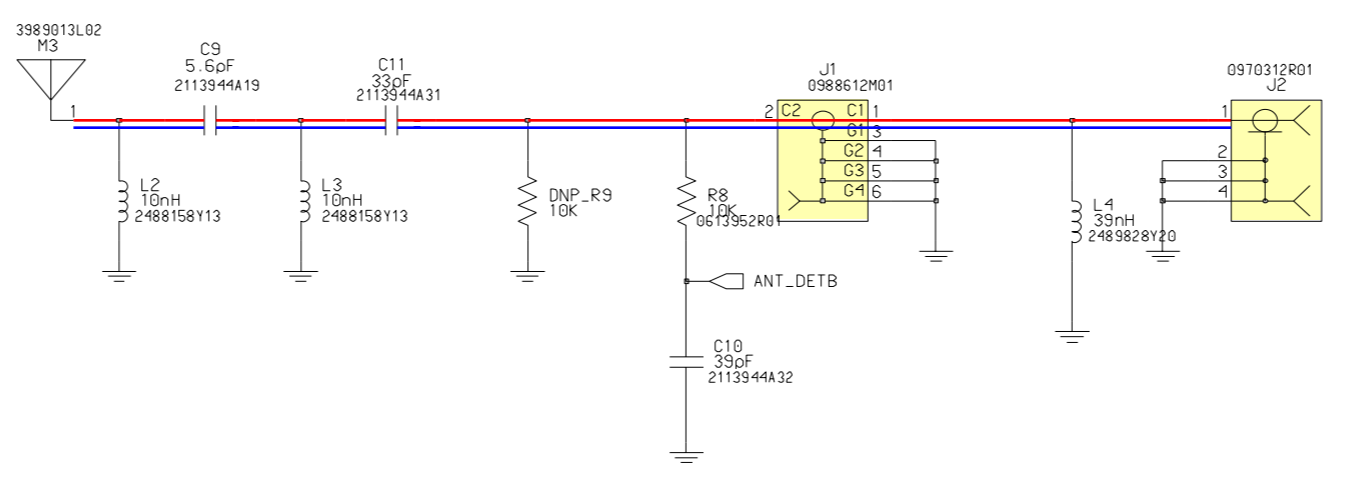
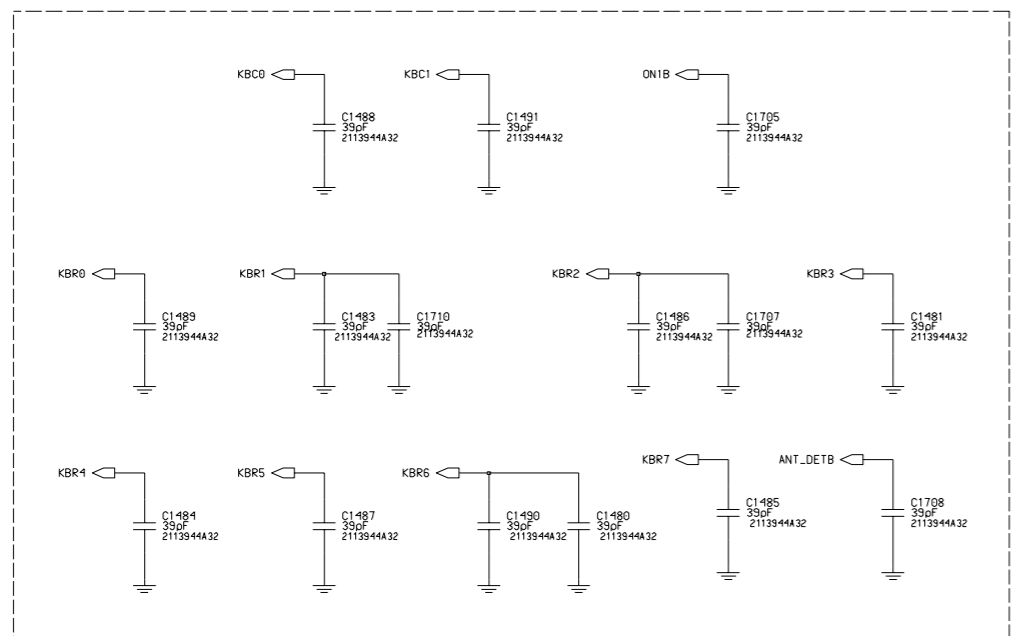


EARPIECE/HANDSET SPEAKER









Service Engineering & Optimization
Level 3 Authorized

2005.08.19
Rev. 1.0
Level 3 Schematics
L2/L8
8471241A01_P3.1
Alexander Buehler, Michael Hansen
Page 1 of 7

L2_L8_8471241A01_P3_1