

Service Schematics

NOKIA 6110

RM-122

Introduction

Important:

This document is intended for use by authorized service centers only.

“Service Schematics” was created with focus on customer care.
The purpose of this document is to provide further technical repair information for NOKIA mobile phones on Level 3/4 service activities.
It contains additional information such as e.g. “Component finder”.
Saving process time and improving the repair quality is the aim of this document.
It is to be used additionally to the service manual and other training or service information such as Service Bulletins.

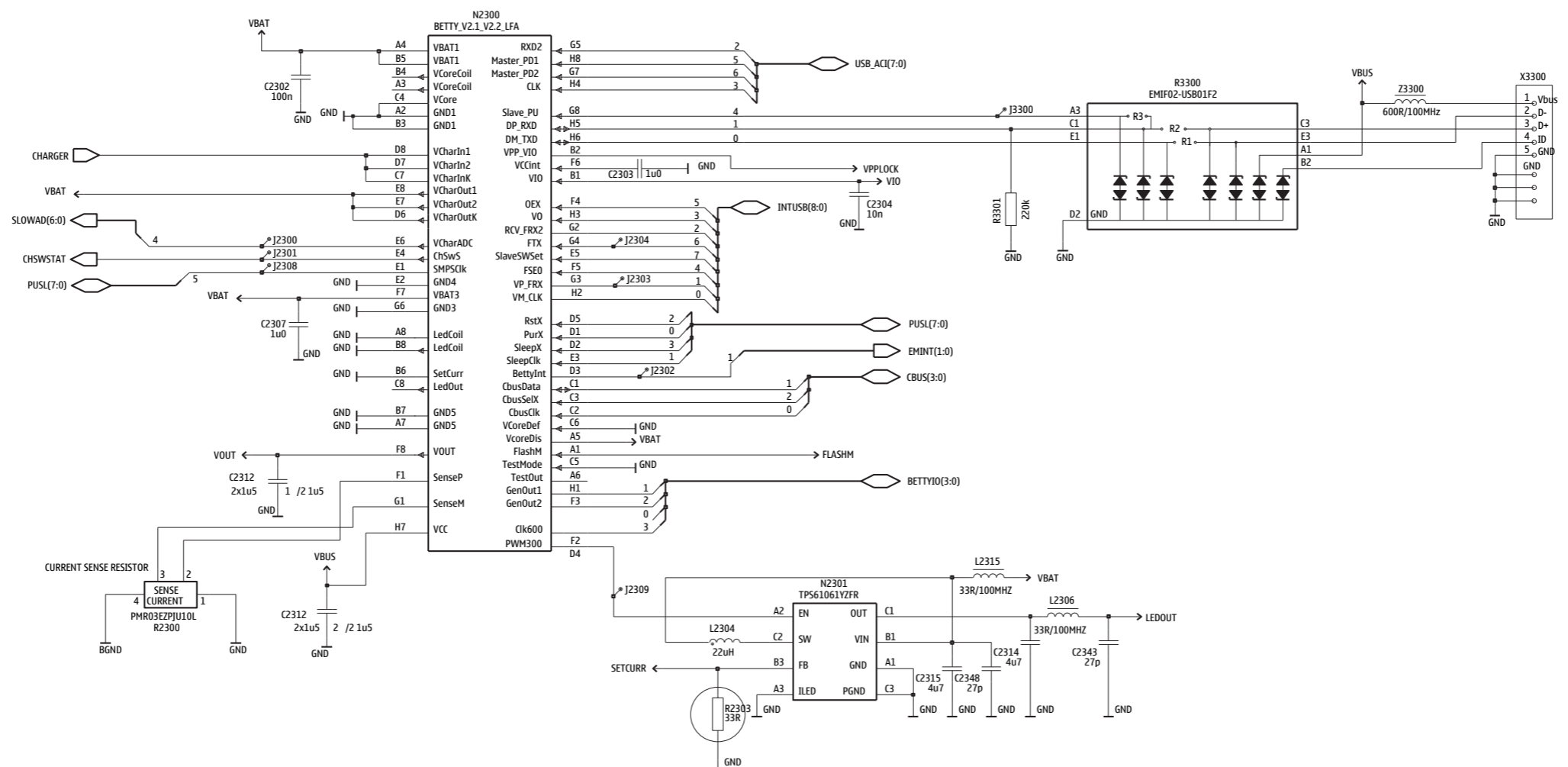
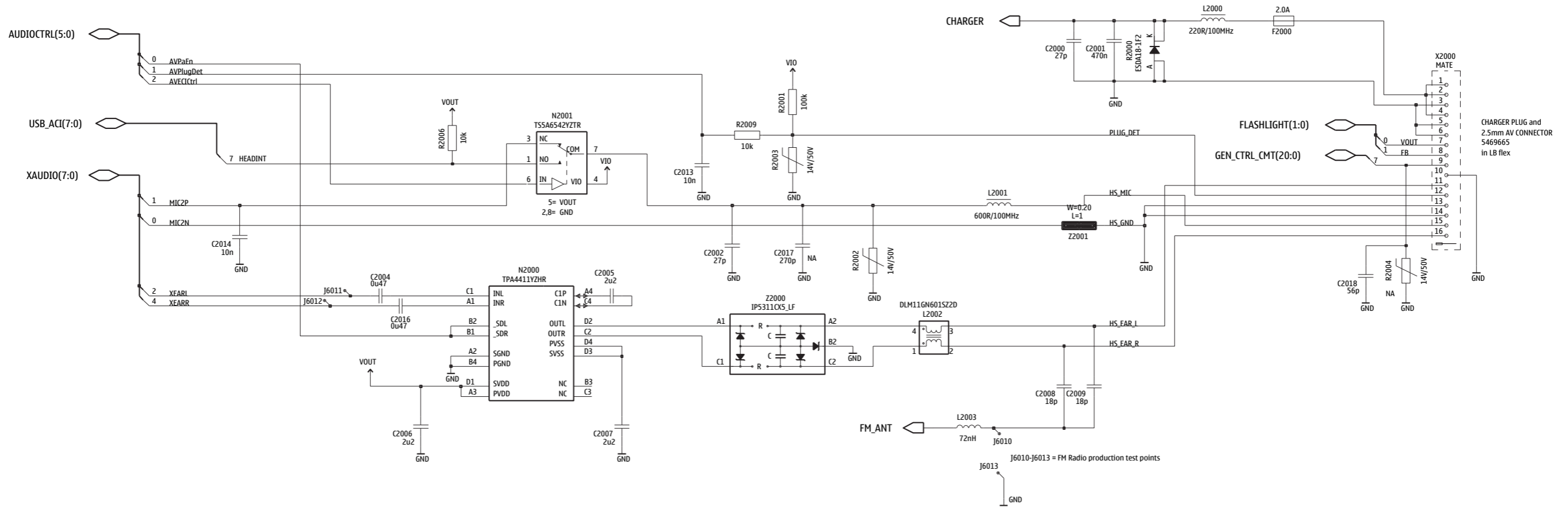
While every endeavour has been made to ensure the accuracy of this document, some errors may exist. If the reader finds any errors, NOKIA should be notified in writing.

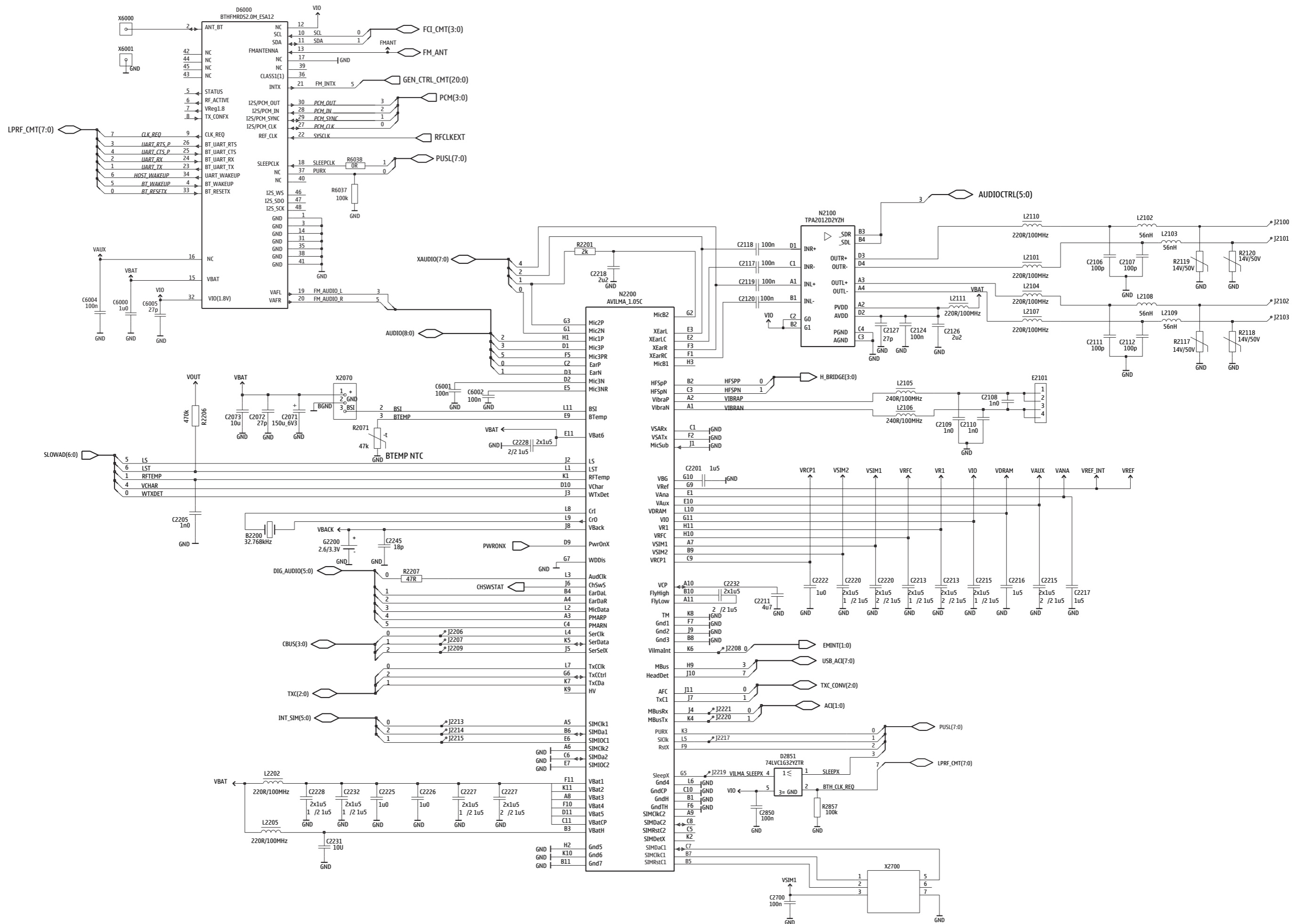
Please send E-Mail to: training.sace@nokia.com

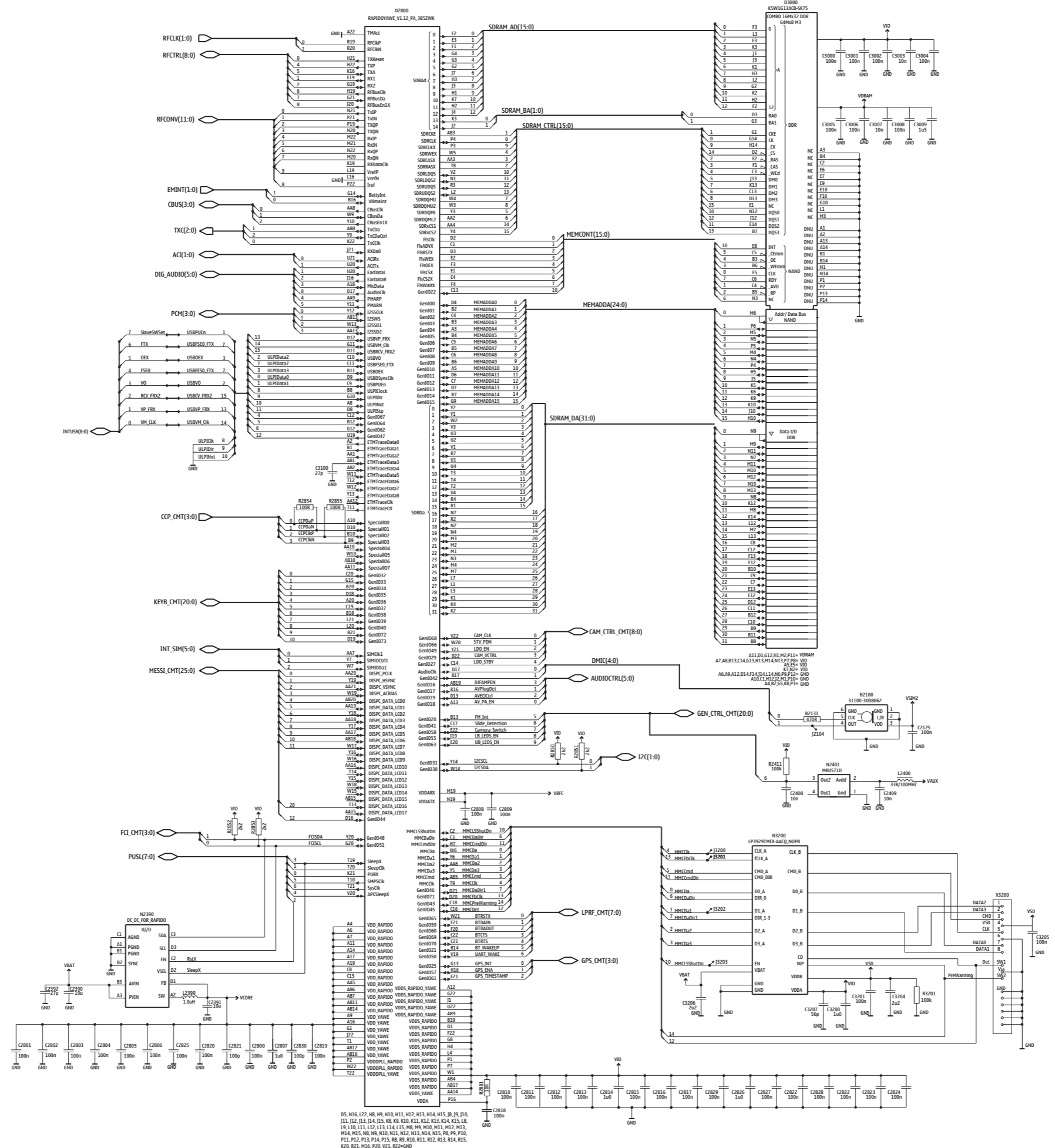


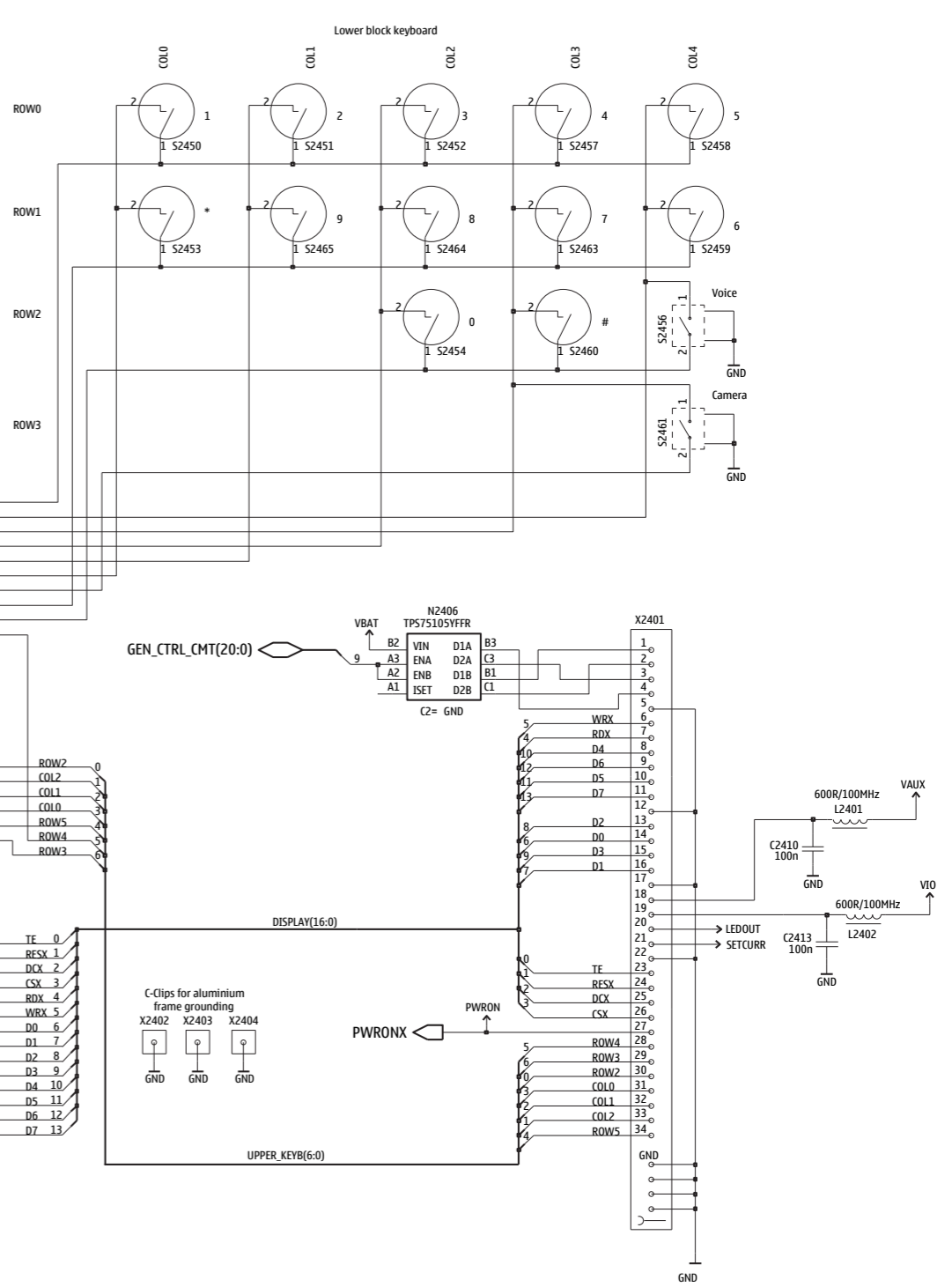
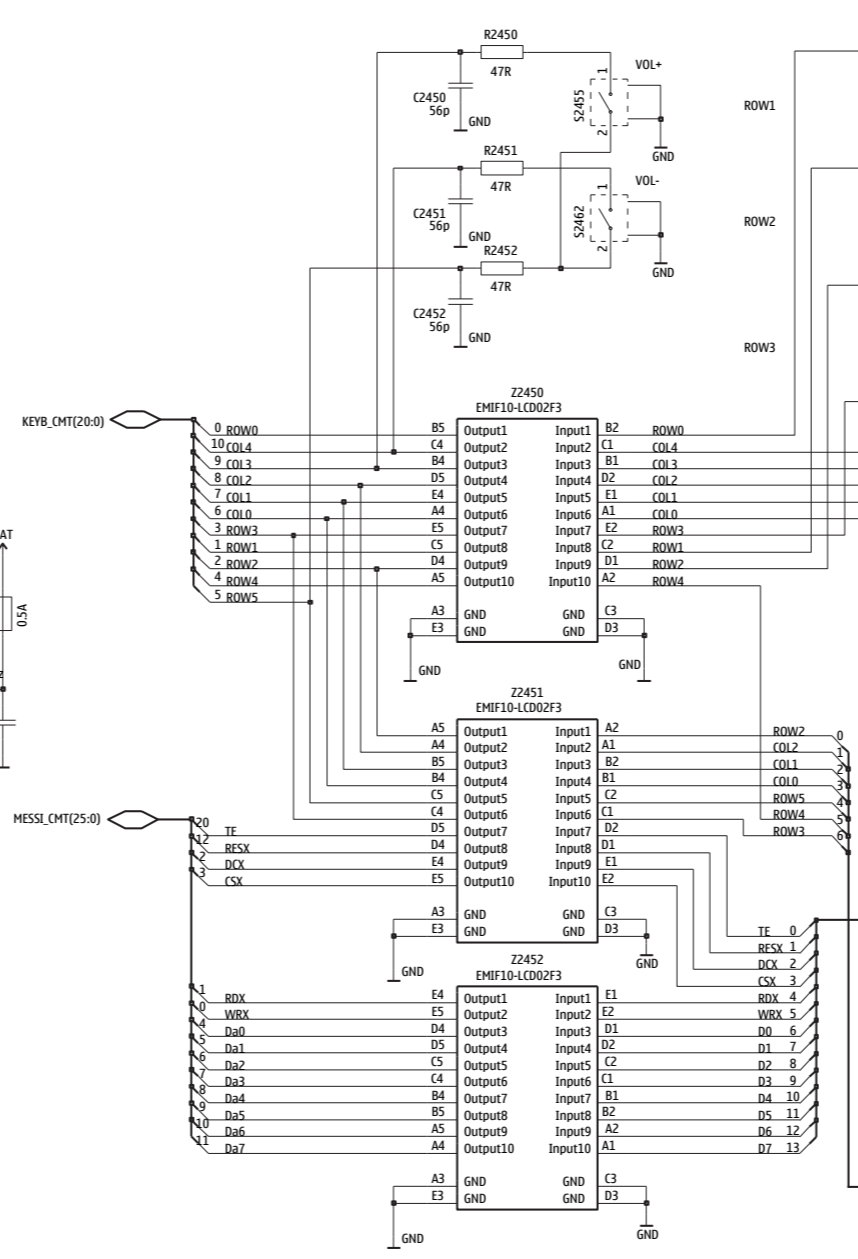
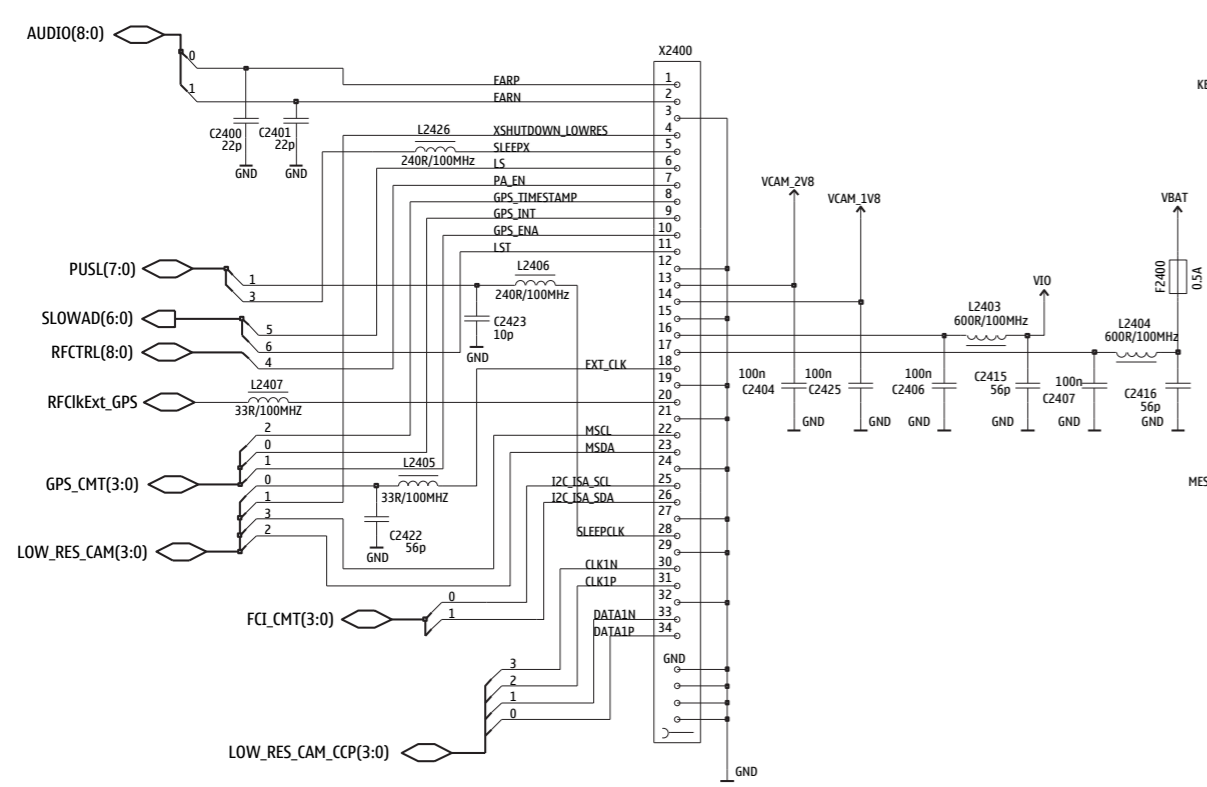
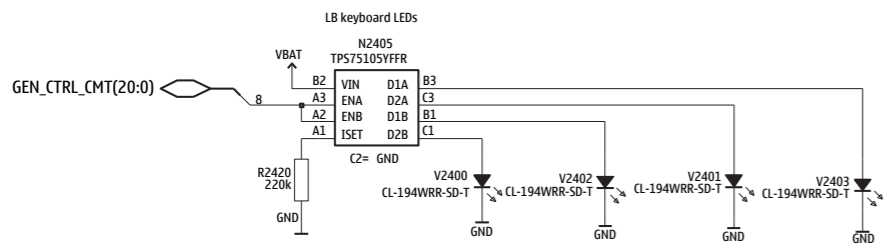
Table of contents	
Frontpage	1
BETTY, Mini USB, AV conn.	2
AVILMA, BTHFM, SIM, Audio	3
RAPIDO, Combo , microSD, MR sensor	4
User interface, keyboard, LED drivers	5
Lower PWB, GPS, Earpiece	6
Camera dirver, flash light	7
RF part	8
Component finder	9
Component finder Upper PWB	10

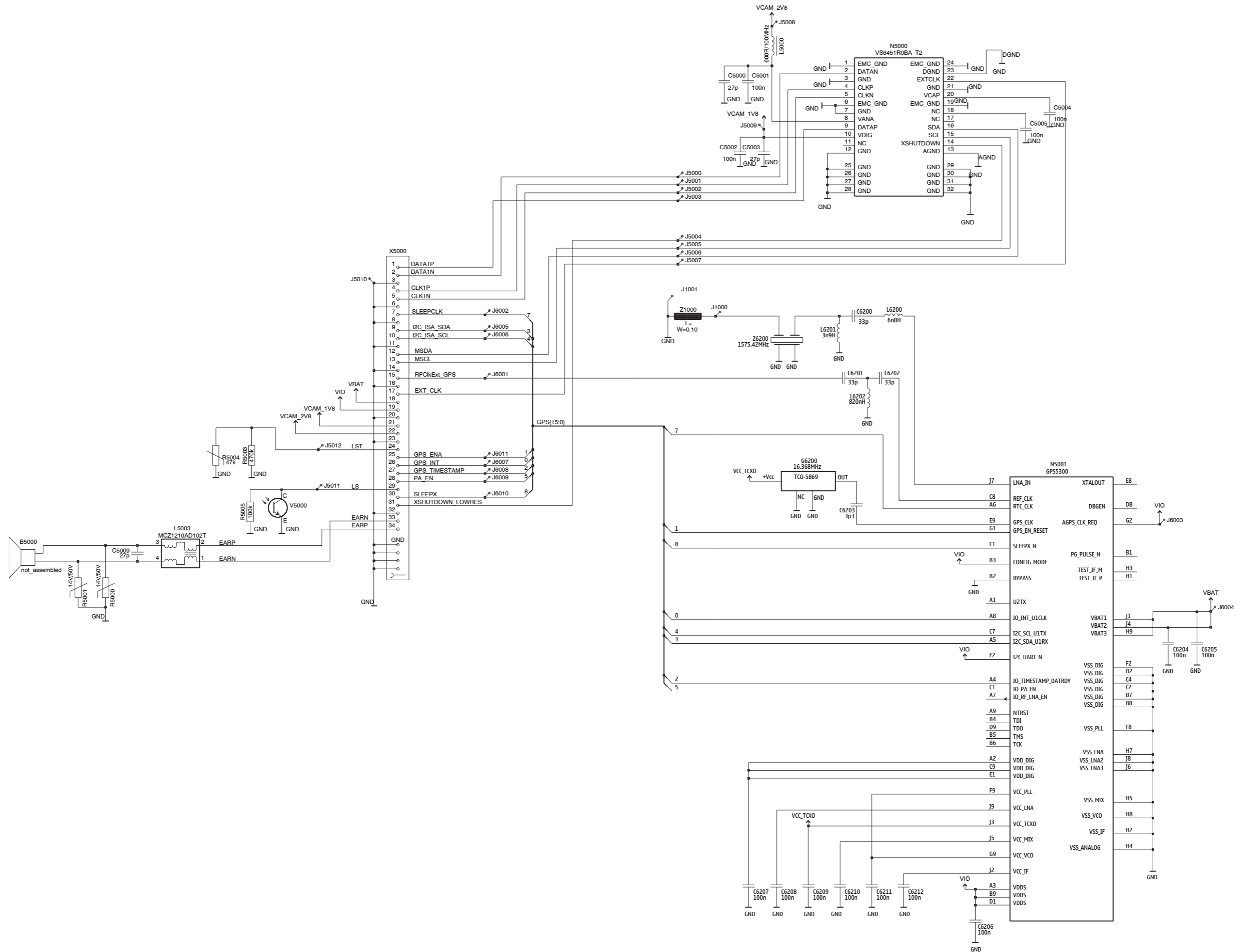
Copyright © NOKIA
This material , including documentation and any related computer programs is protected by copyright, controlled by NOKIA. All rights are reserved. Copying, including reproducing, modifying, storing, adapting or translating any or all of this material requires the prior written consent of NOKIA. This material also contains confidential information, which may not be disclosed to others whitout the prior written consent of NOKIA.

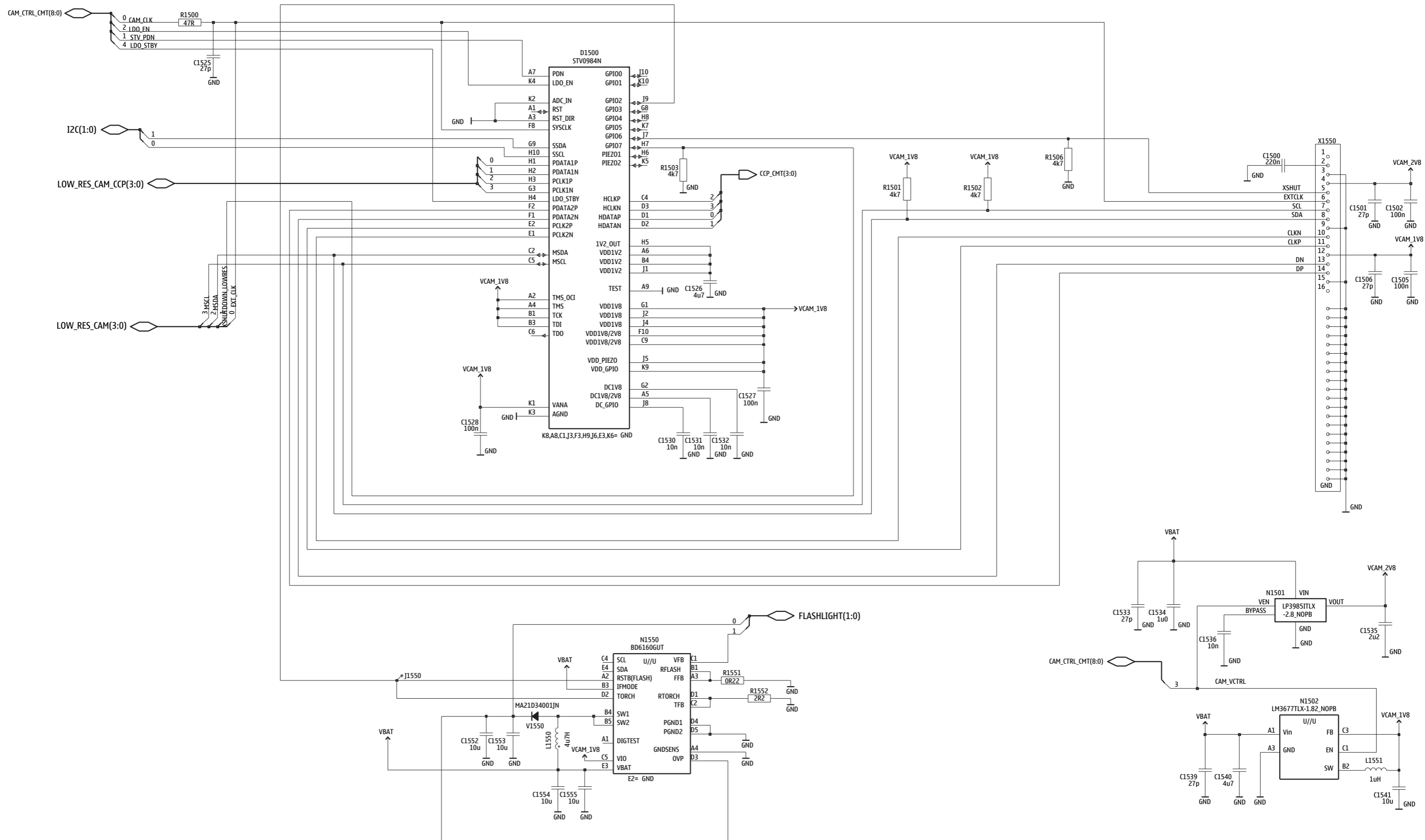


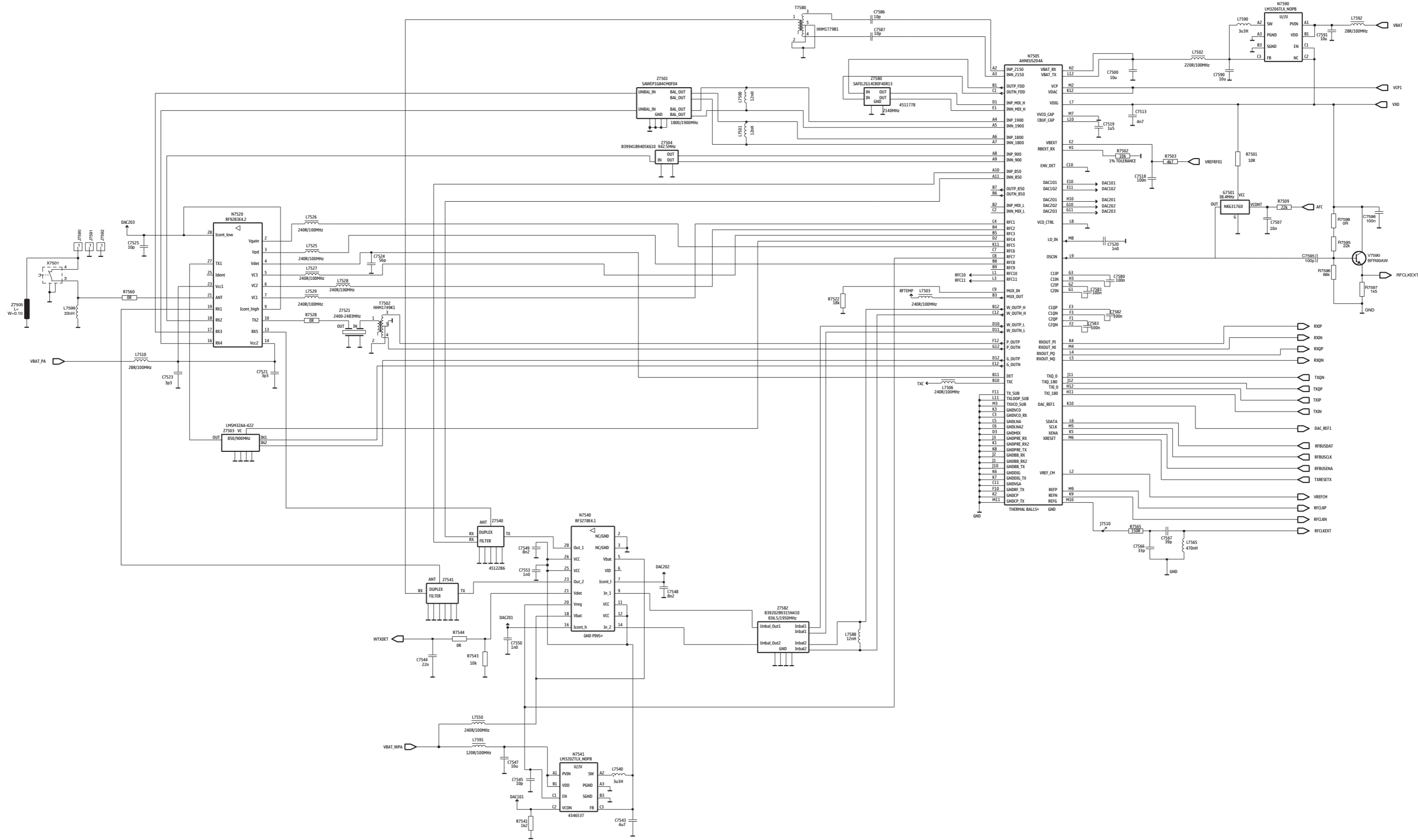












B		J5009	F2
B5000	E1	J5010	E1
C		J5011	D2
C5000	C1	J5012	F2
C5001	C2	J6001	F2
C5002	B2	J6002	E1
C5003	A2	J6003	F2
C5004	C1	J6004	F2
C5005	A2	J6005	E1
C5009	C1	J6006	D2
C6200	B1	J6007	E2
C6201	C3	J6008	D2
C6202	B3	J6009	E2
C6203	B2	J6010	E2
C6204	C1	J6011	E2
C6205	B2	L	
C6206	B2	L5000	C2
C6207	D1	L5003	C2
C6208	B2	L6200	C1
C6209	C1	L6201	B2
C6210	C1	L6202	C2
C6211	B2	N	
C6212	C1	N5000	B1
G		N5001	C2
G6200	B2	R	
J		R5000	C1
J1000	H2	R5001	C1
J1001	H2	R5003	B3
J5000	D1	R5004	B3
J5001	E1	R5005	B2
J5002	D1	V	
J5003	D1	V5000	B3
J5004	E2	X	
J5005	F1	X5000	E1
J5006	F1	Z	
J5007	F1	Z6200	B2
J5008	F2		

