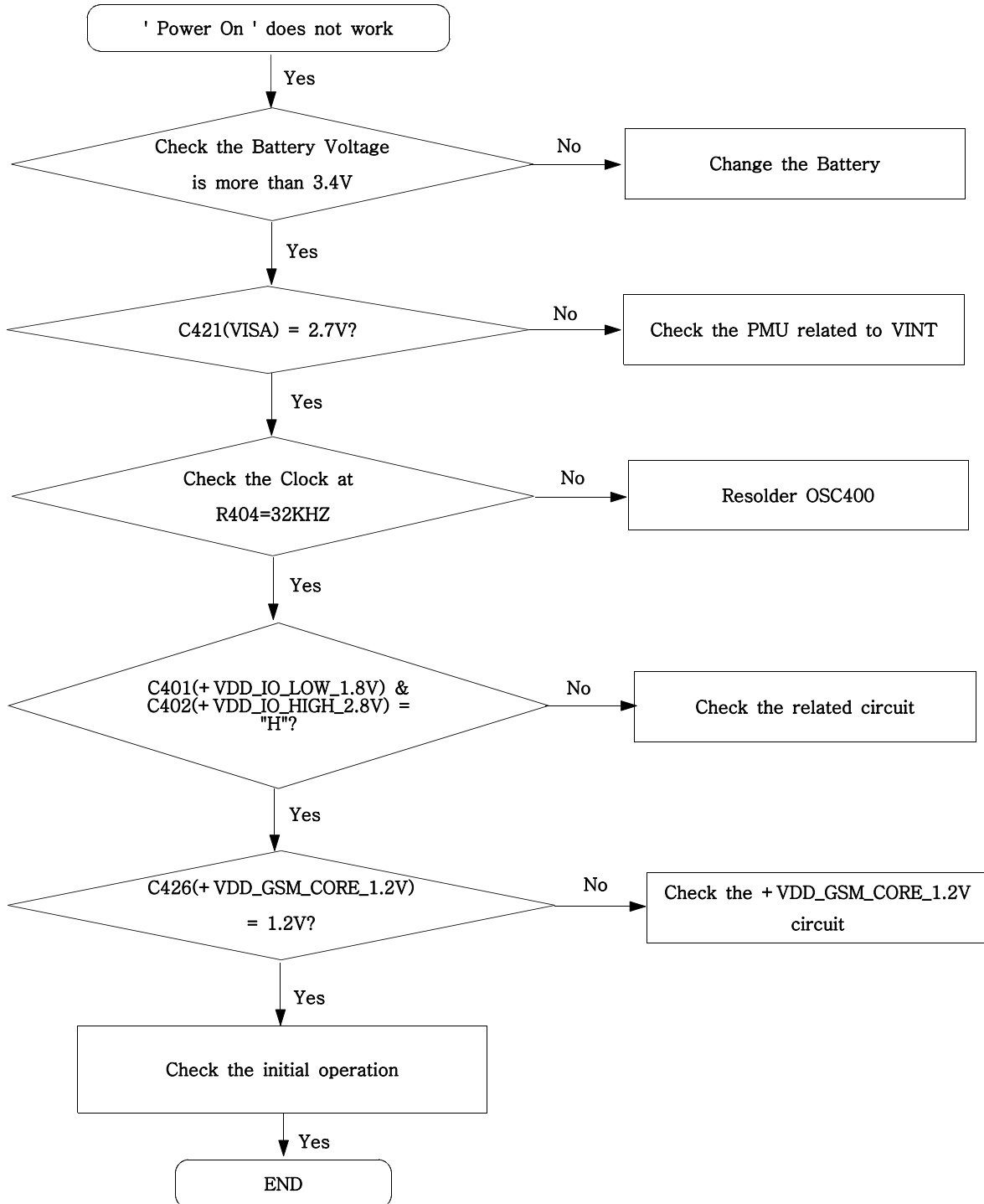
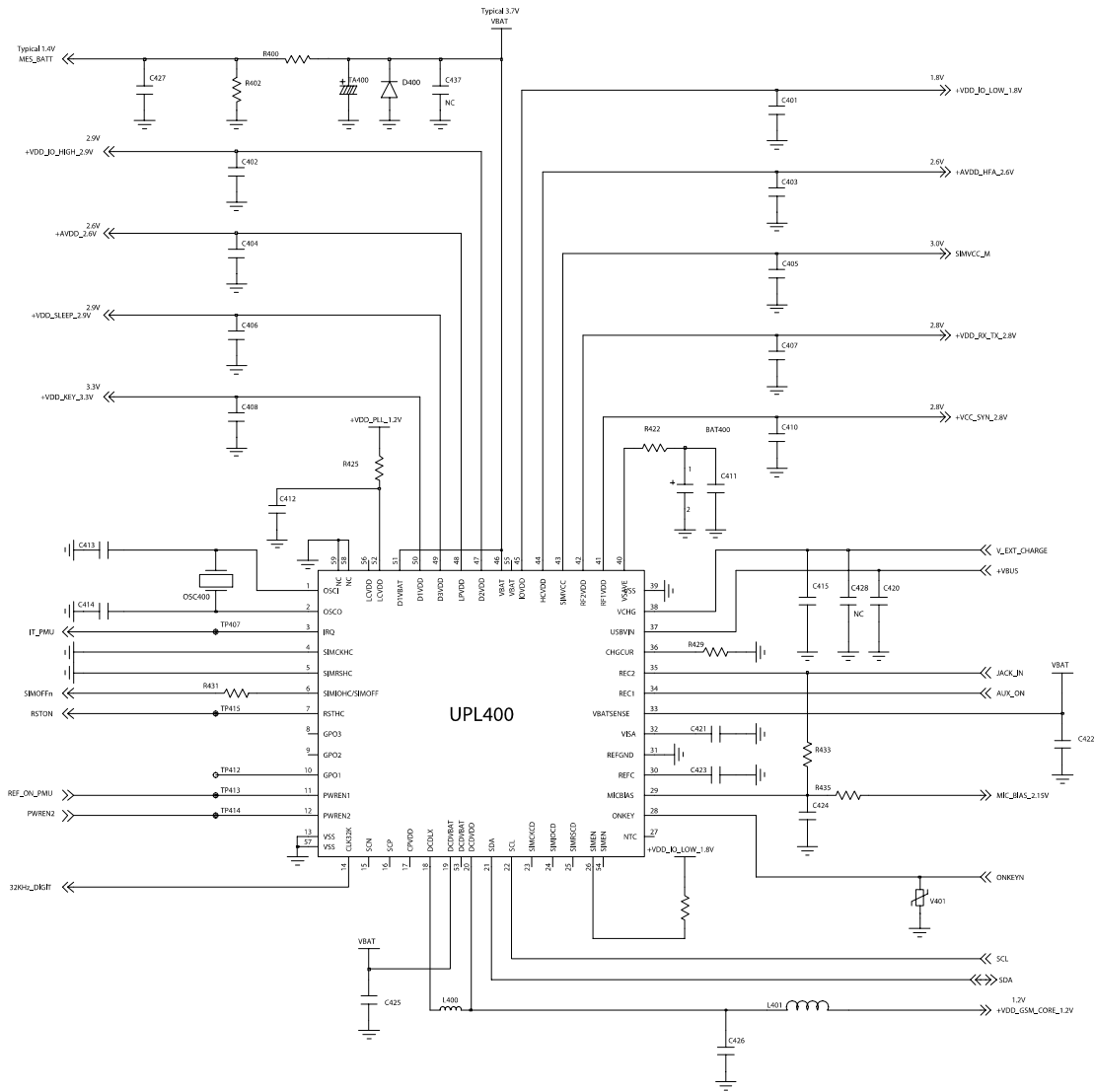


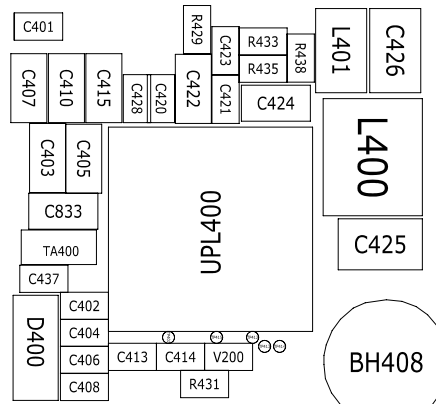
9. Flow Chart of Troubleshooting

9-1. Power On

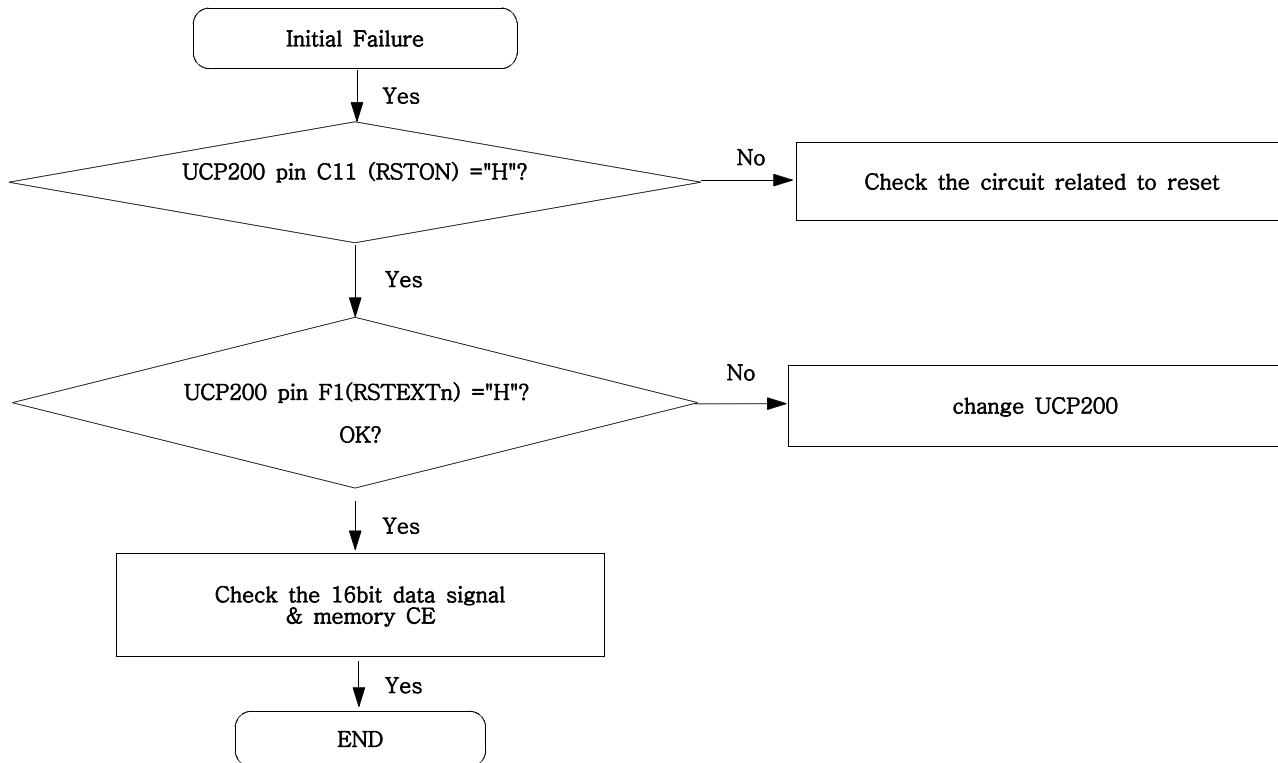




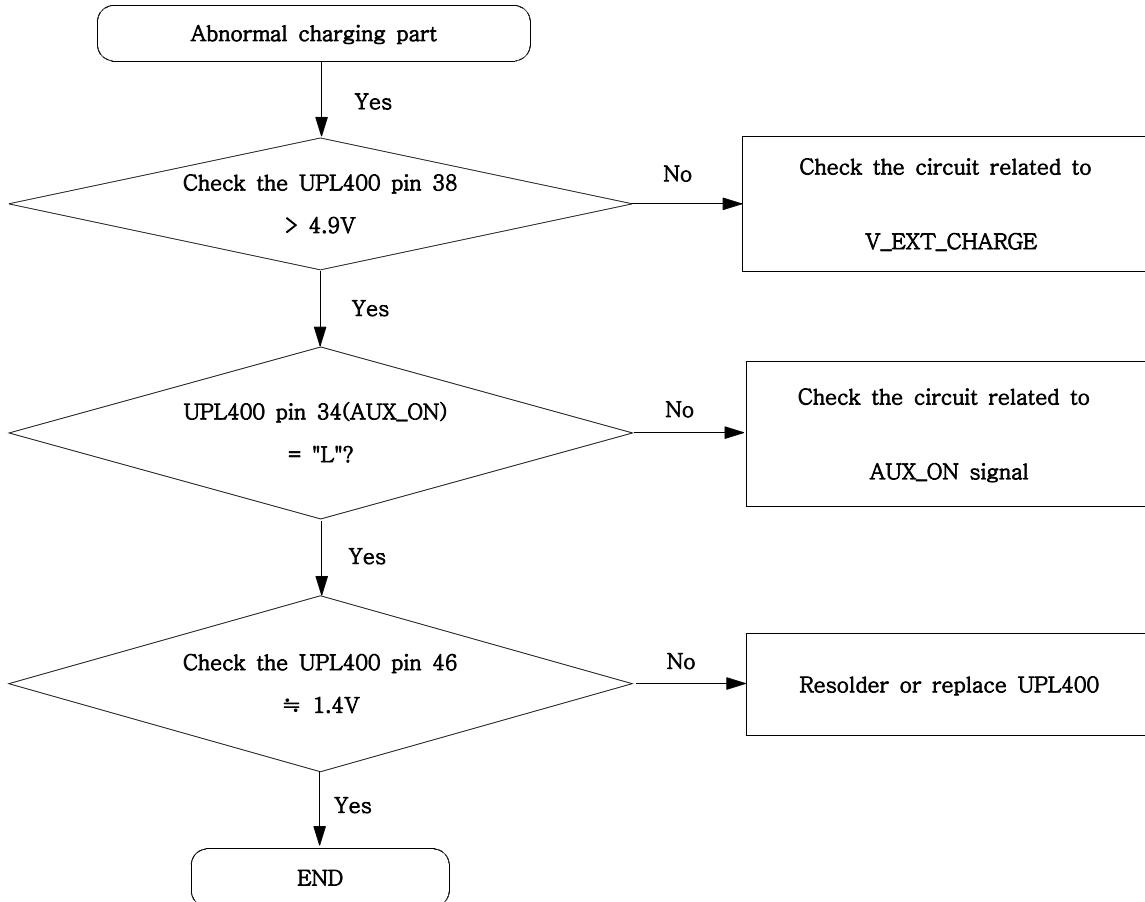
PMU

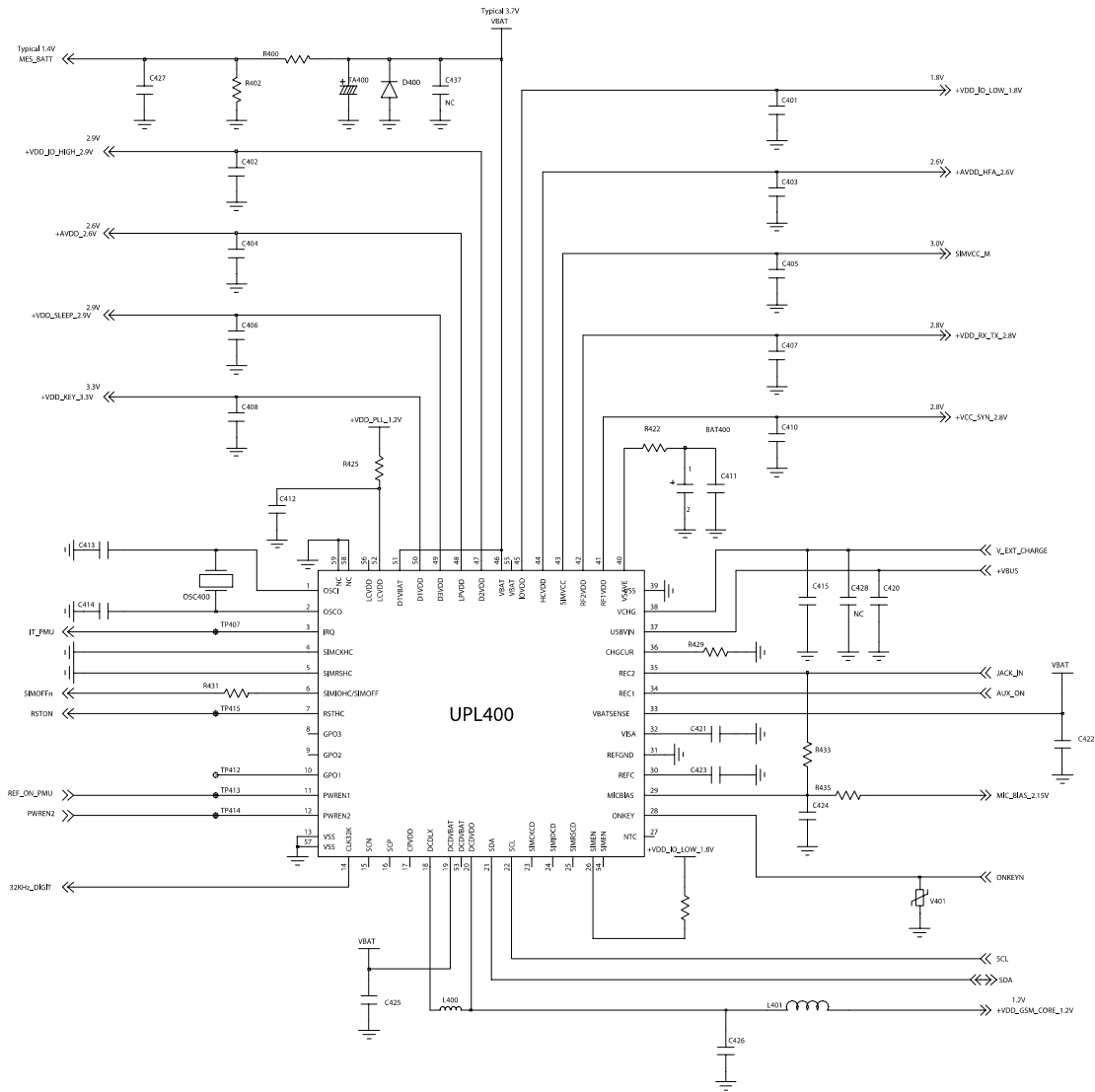


9-2. Initial

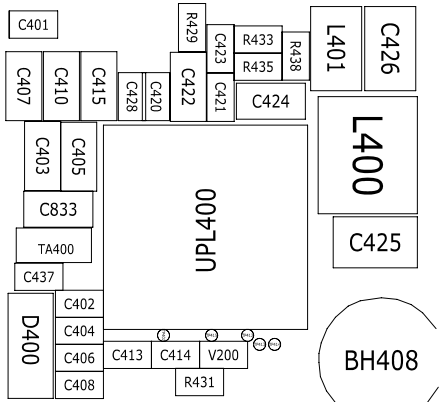


9-3. Charging Part



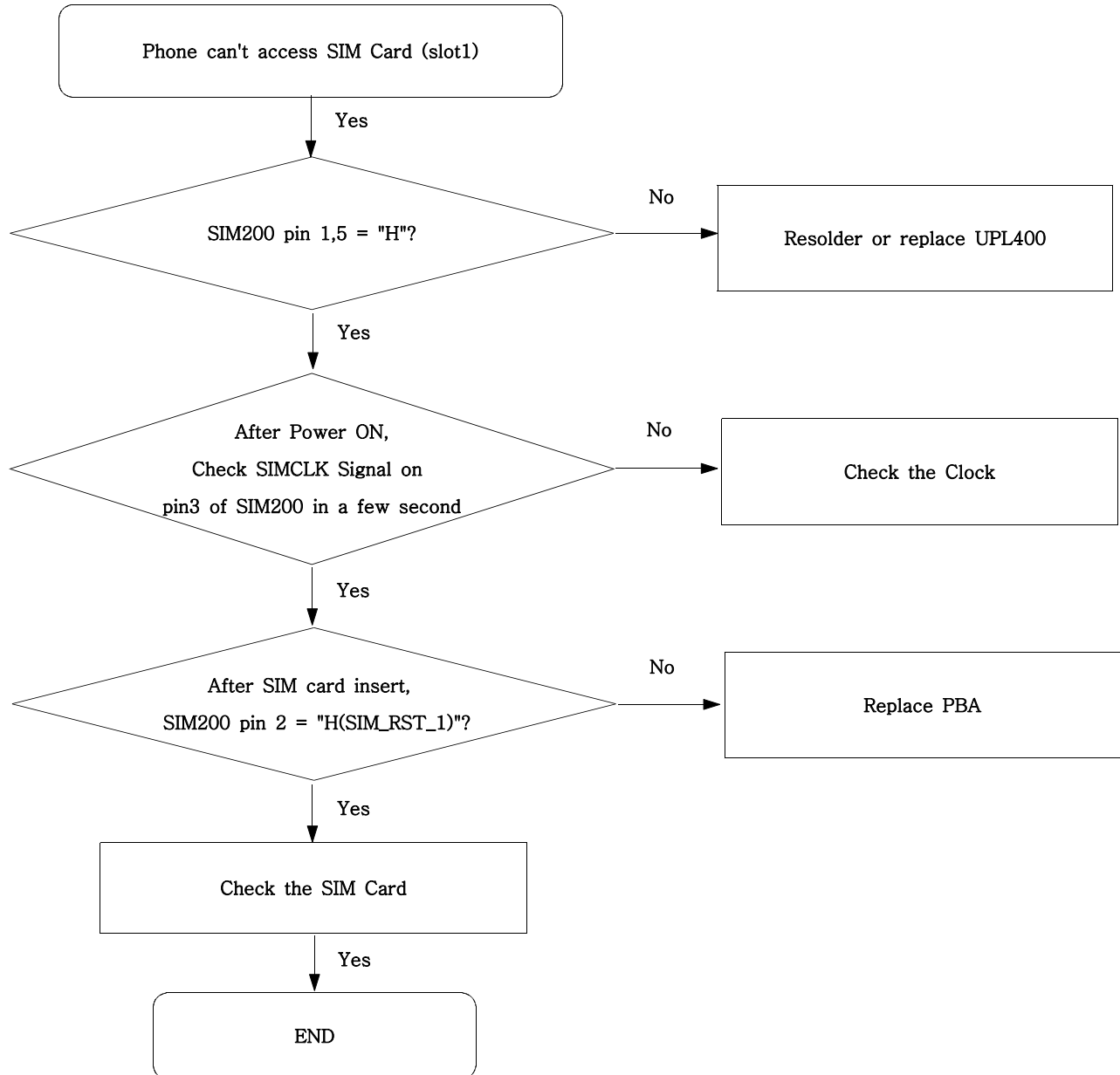


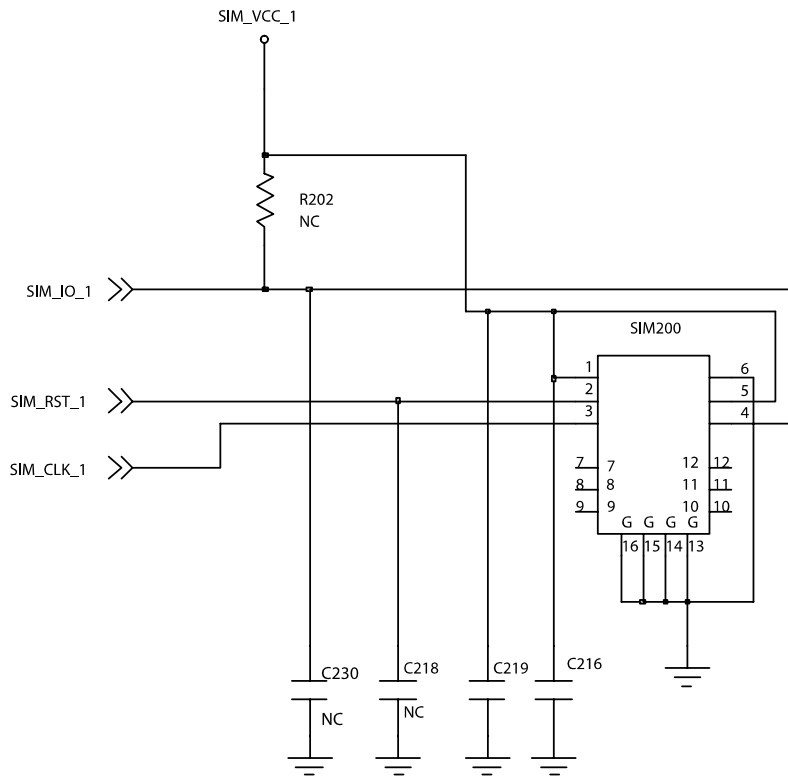
PMU



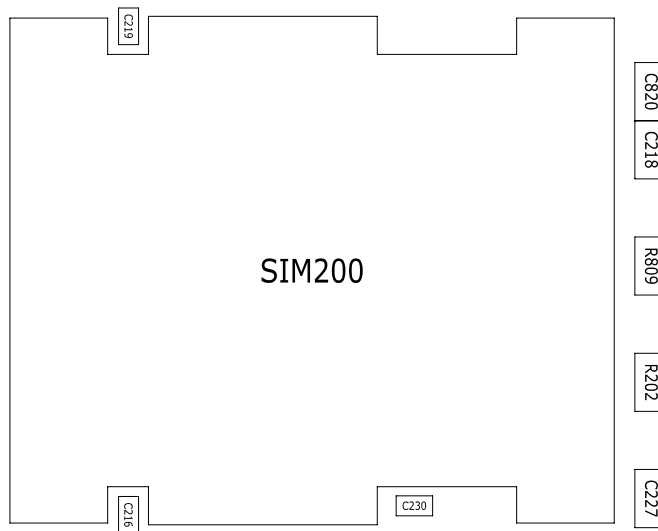
9-4. Sim Part

1)Master

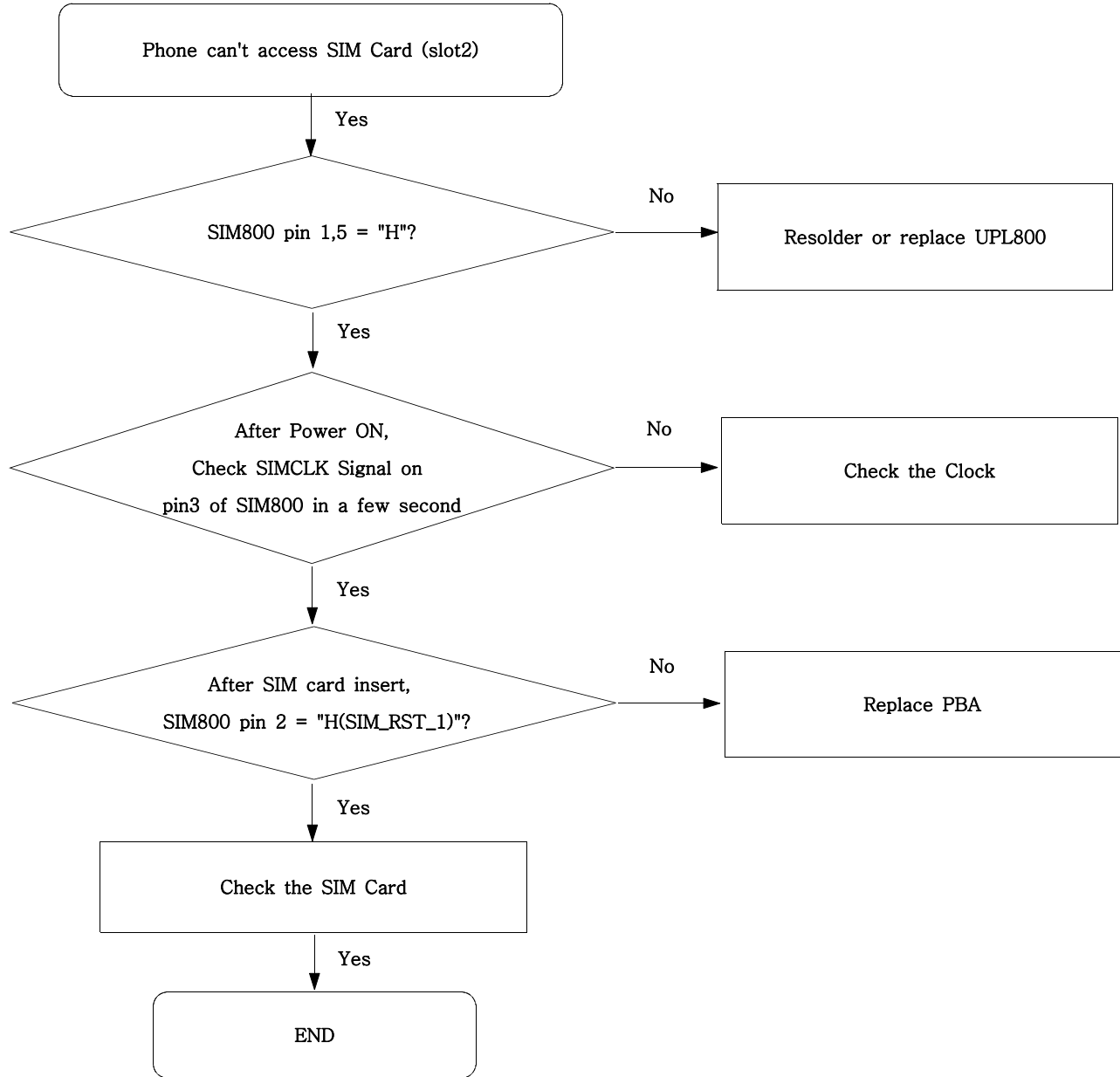


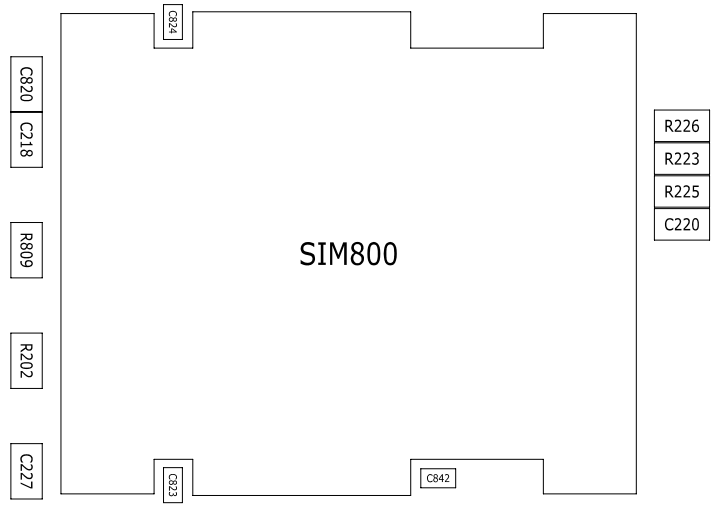
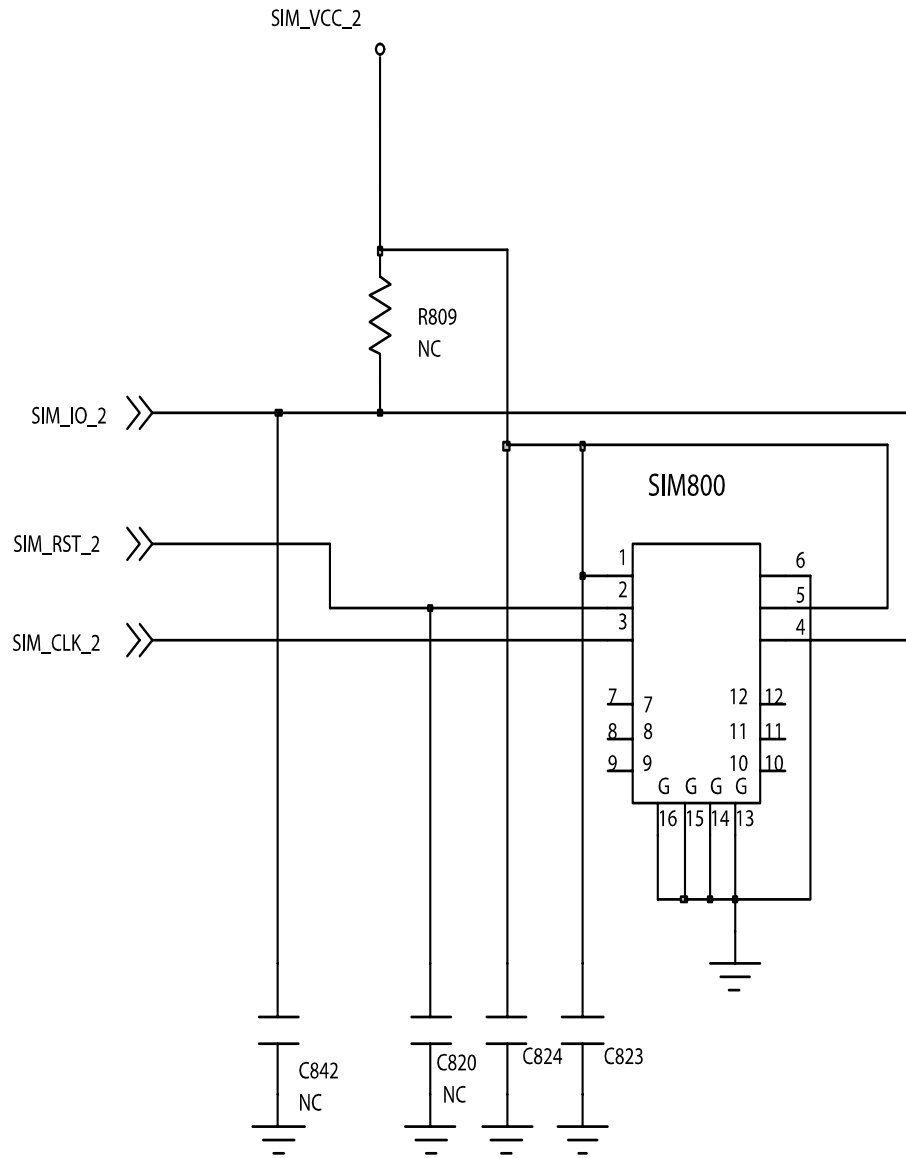


SIM1 [MASTER]

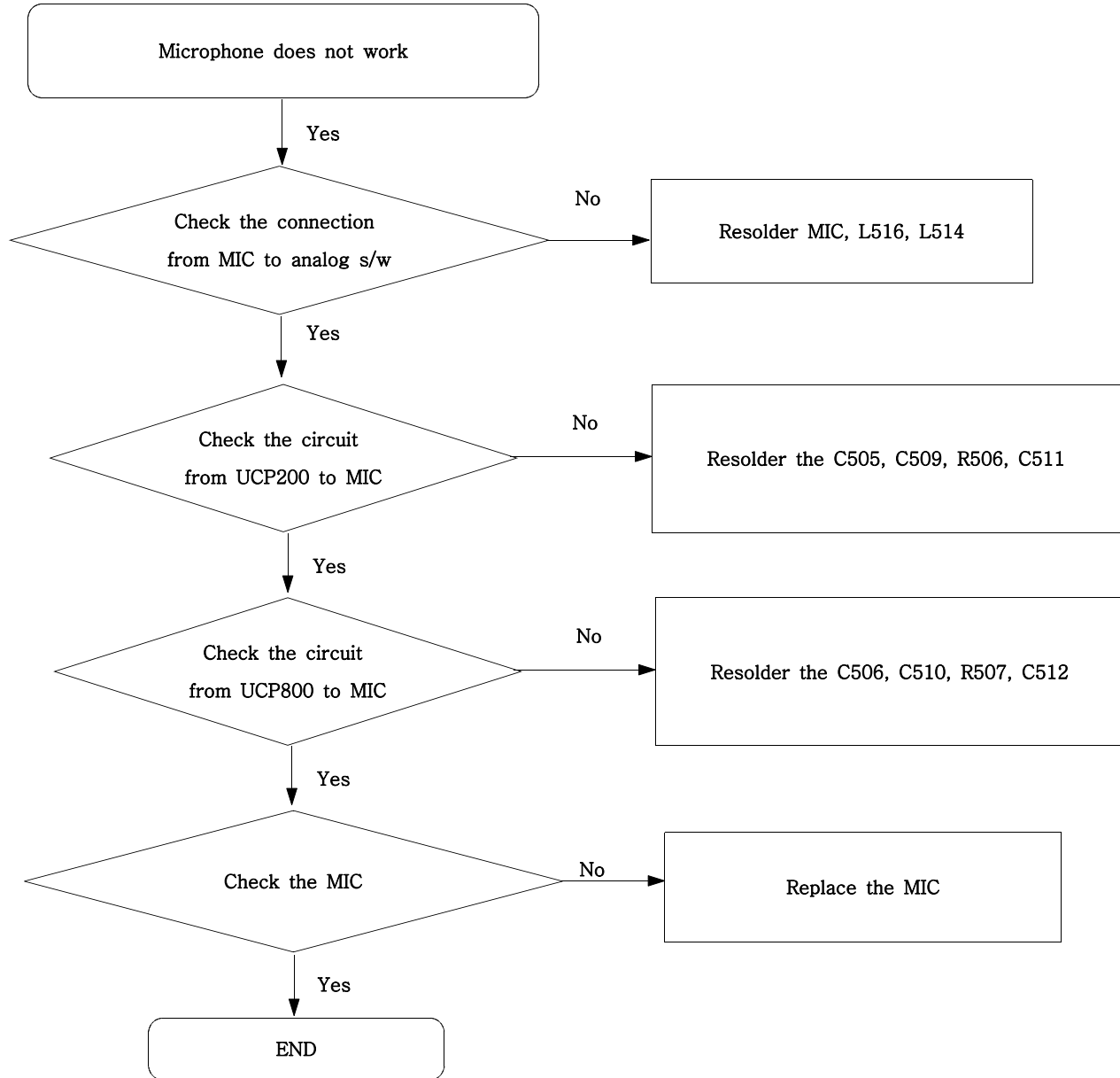


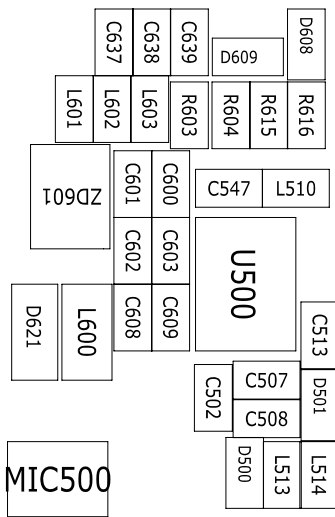
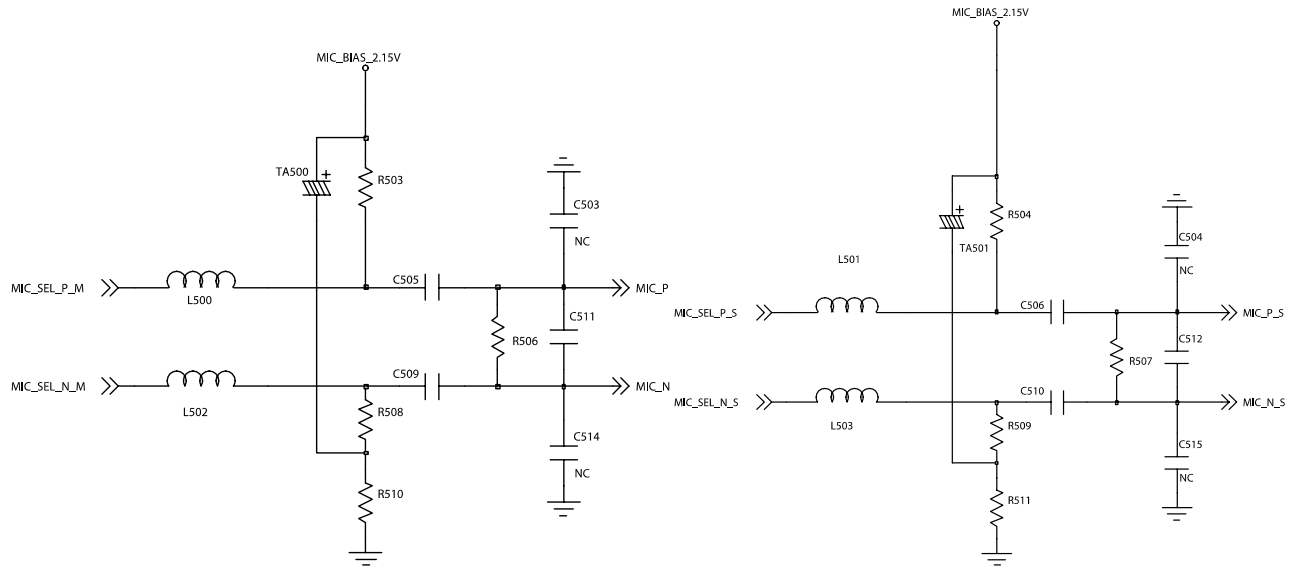
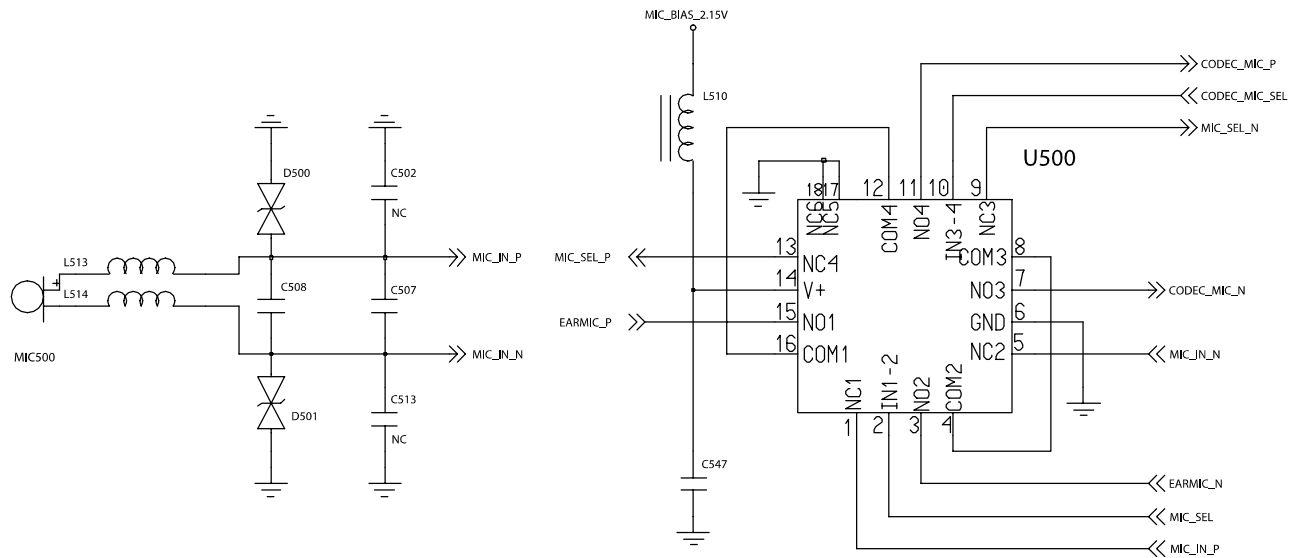
2)Slave



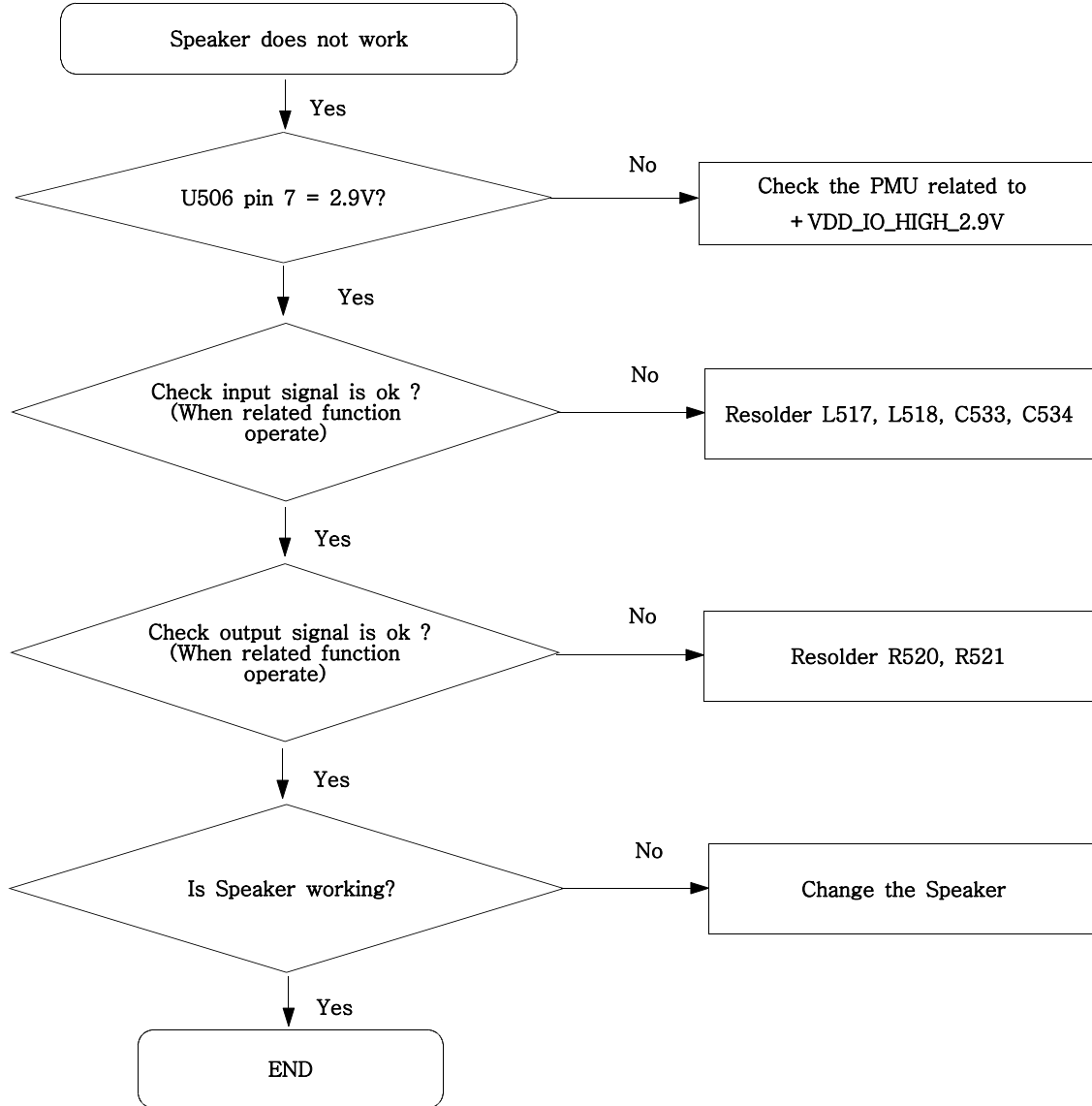


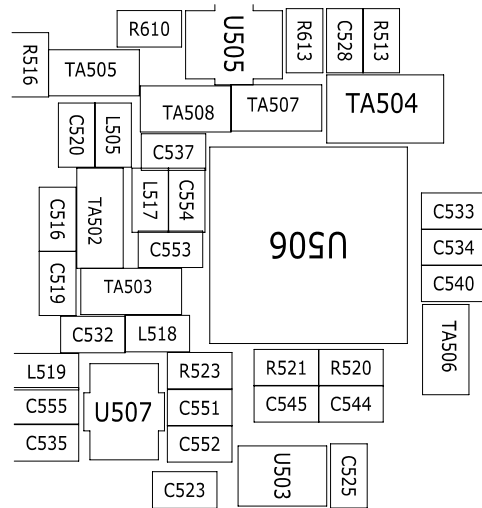
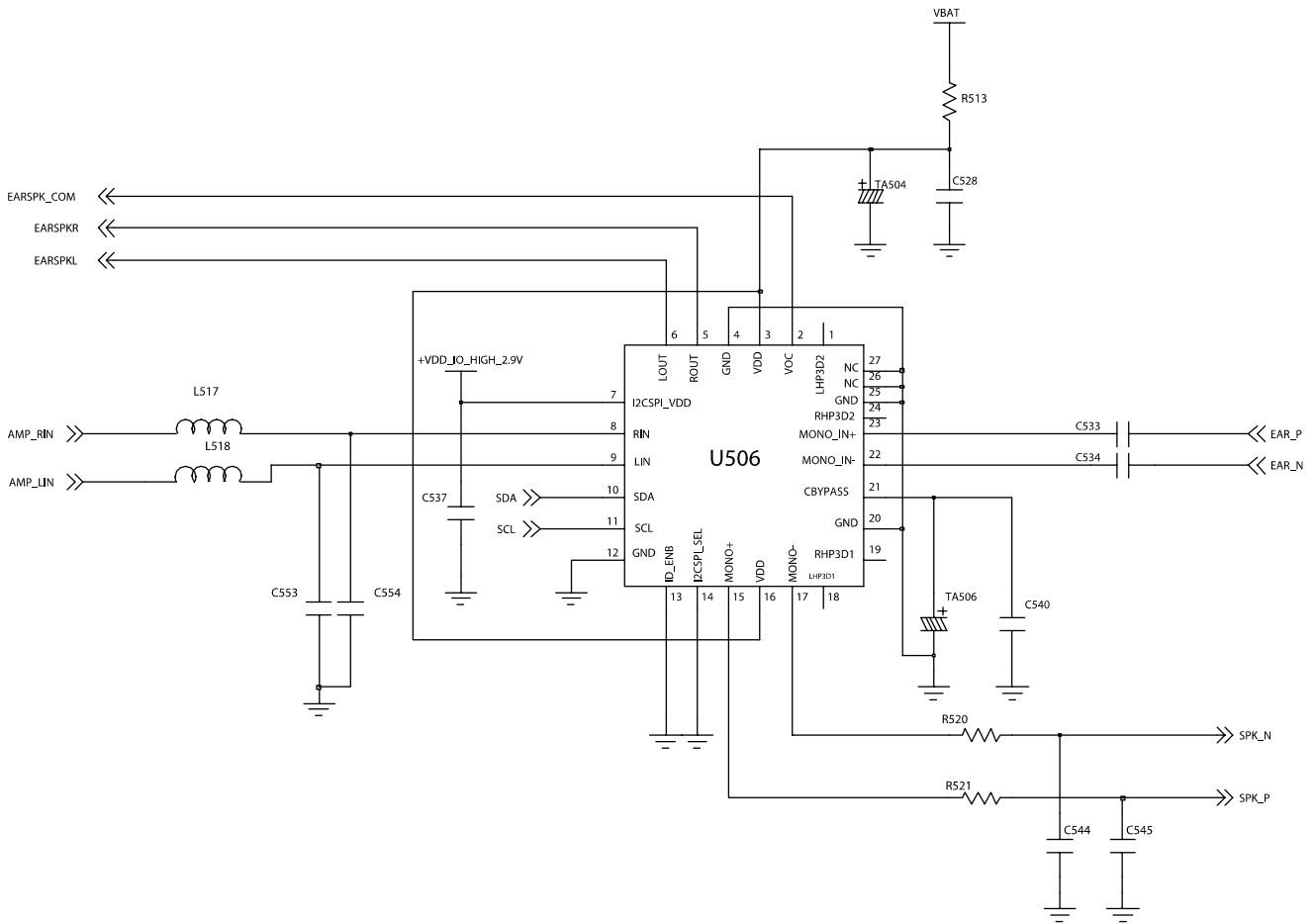
9-5. Microphone Part



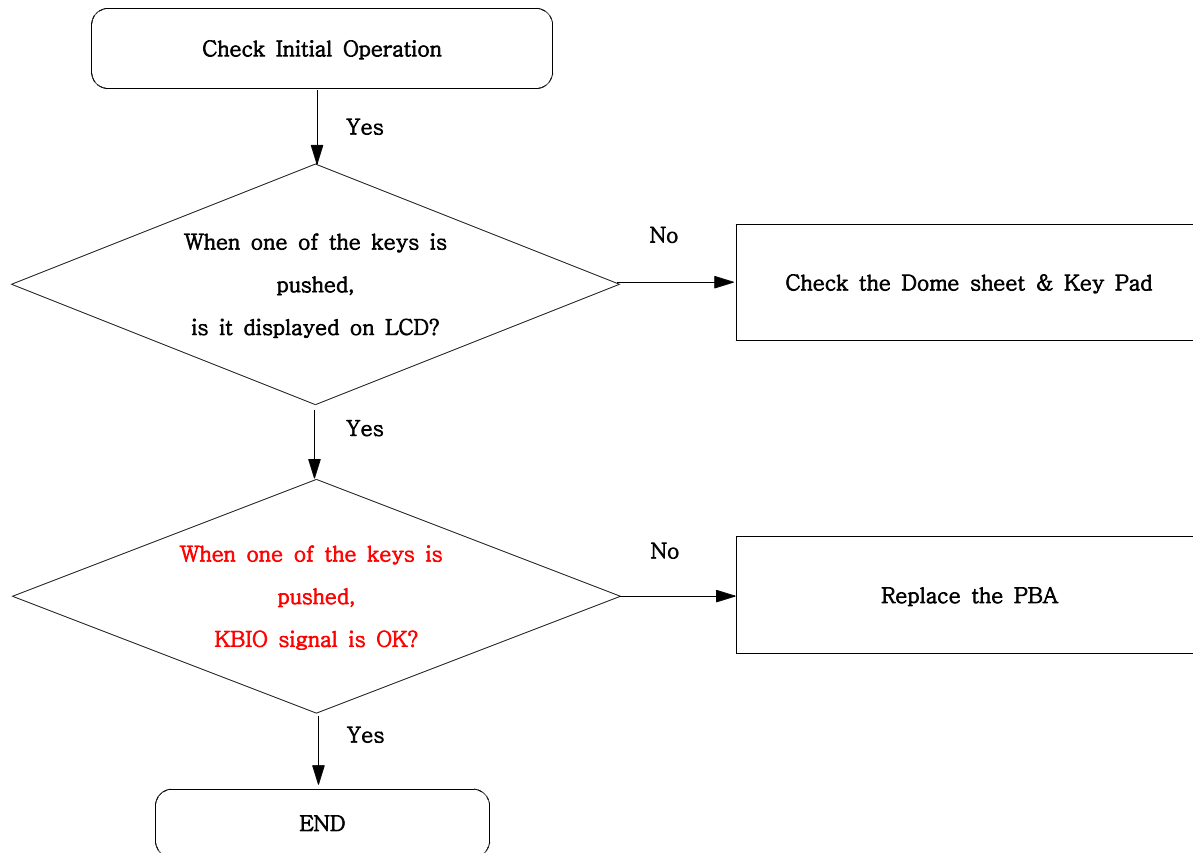


9-6. Speaker Part(Melody)

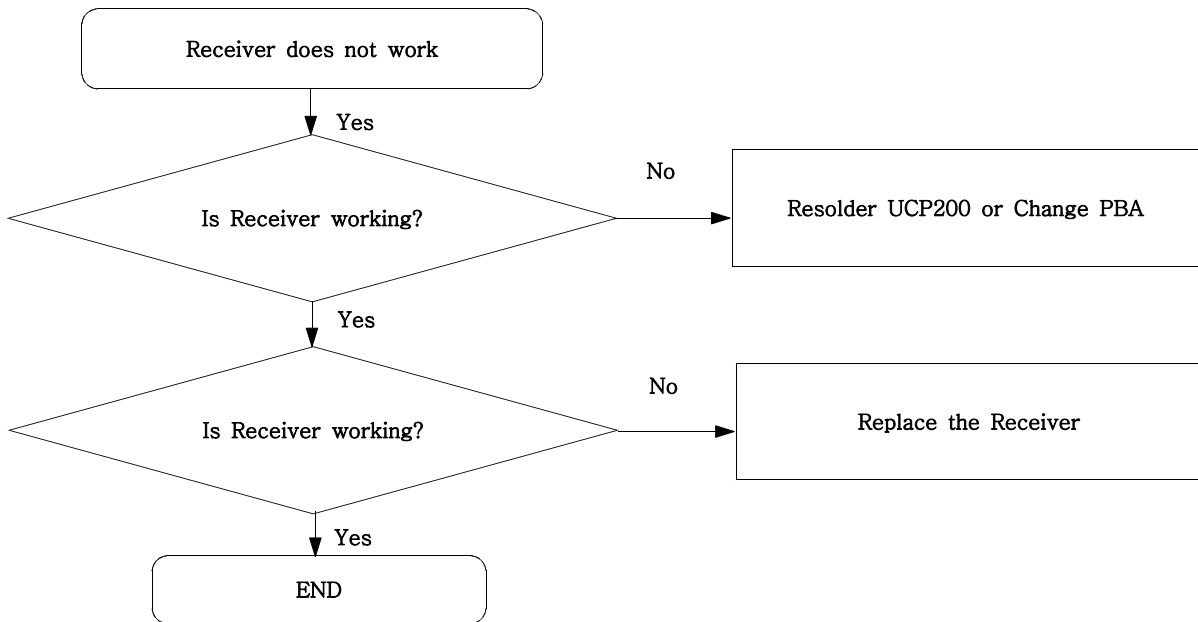




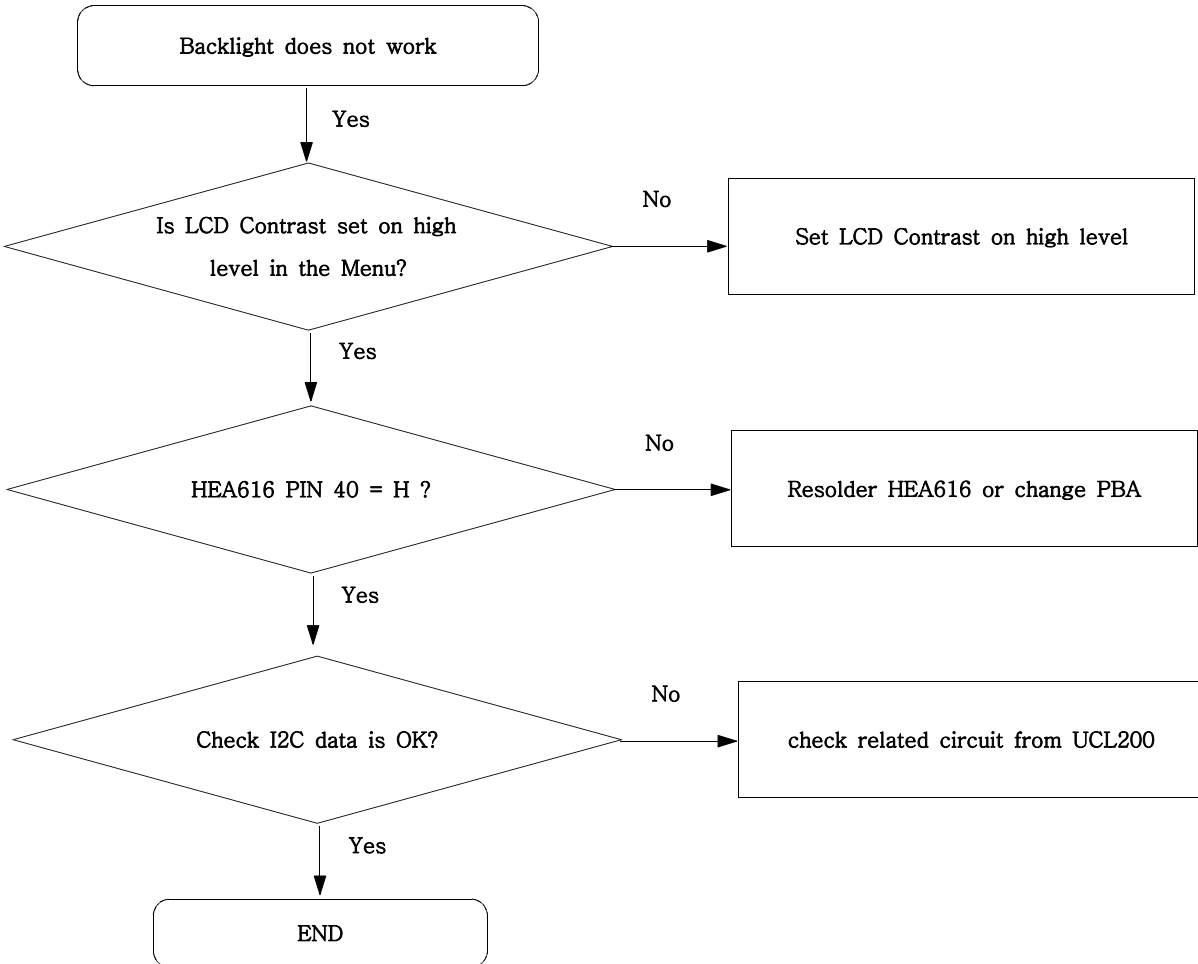
9-7. Key Data Input



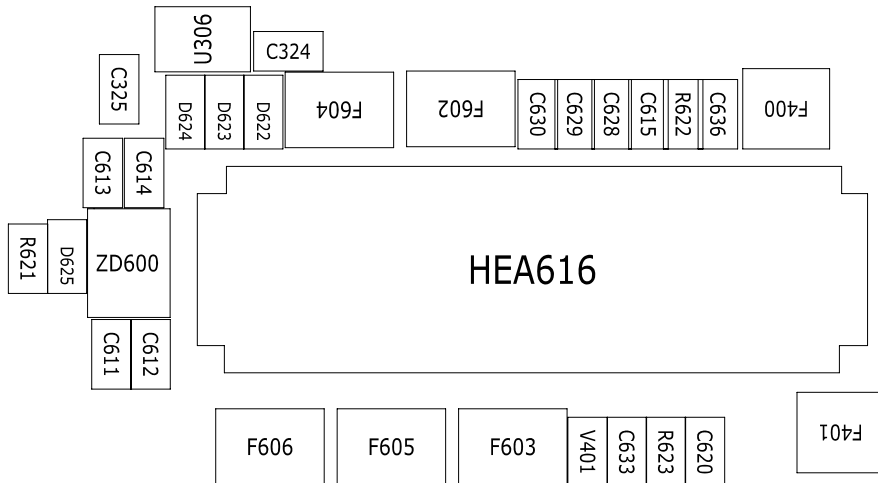
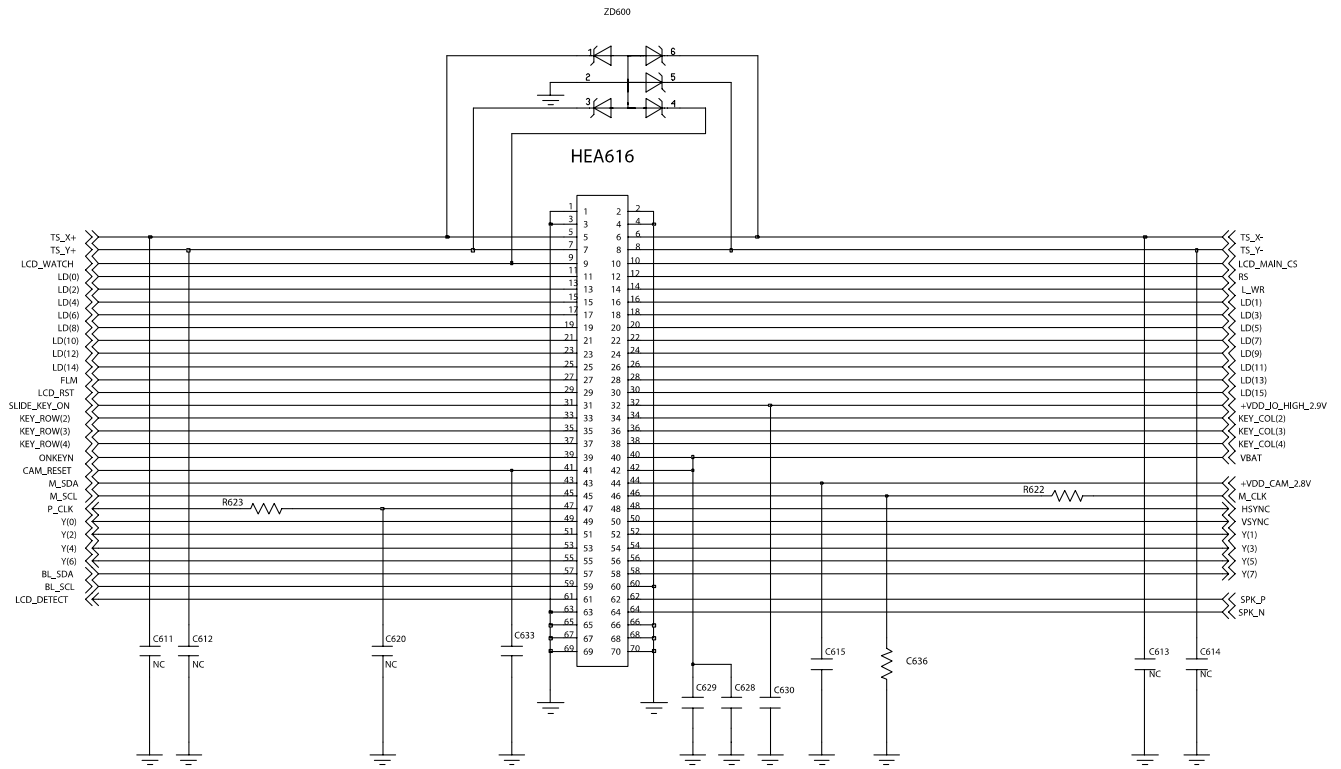
9-8. Receiver Part



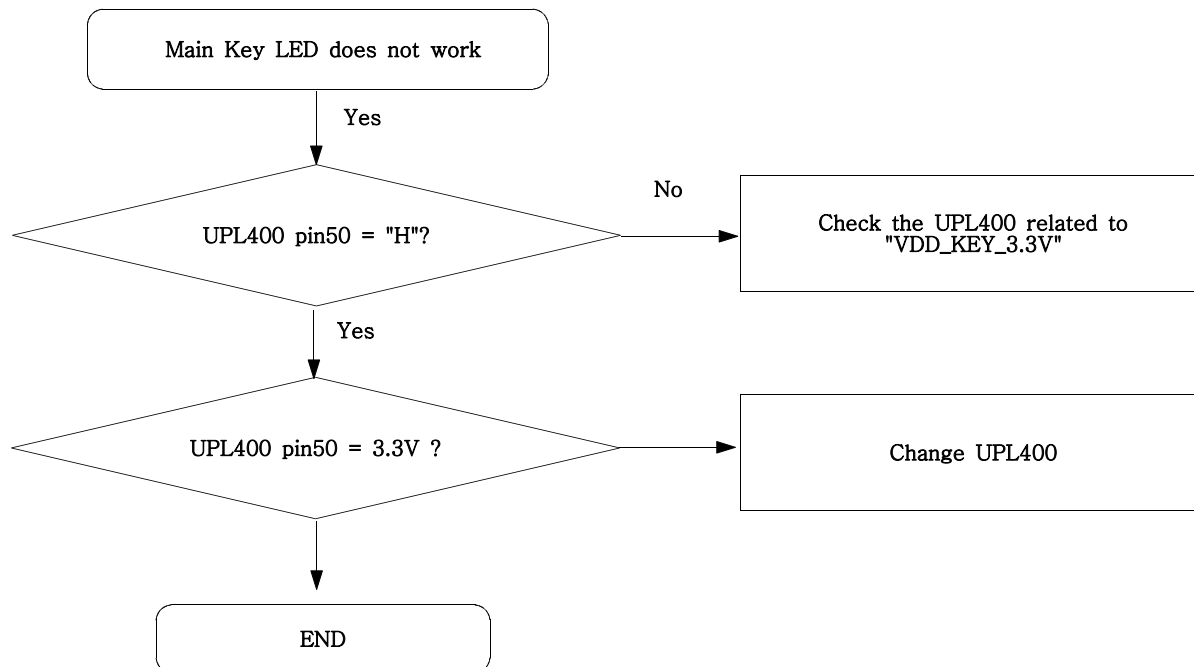
9-9. Back Light (for Color Main LCD)



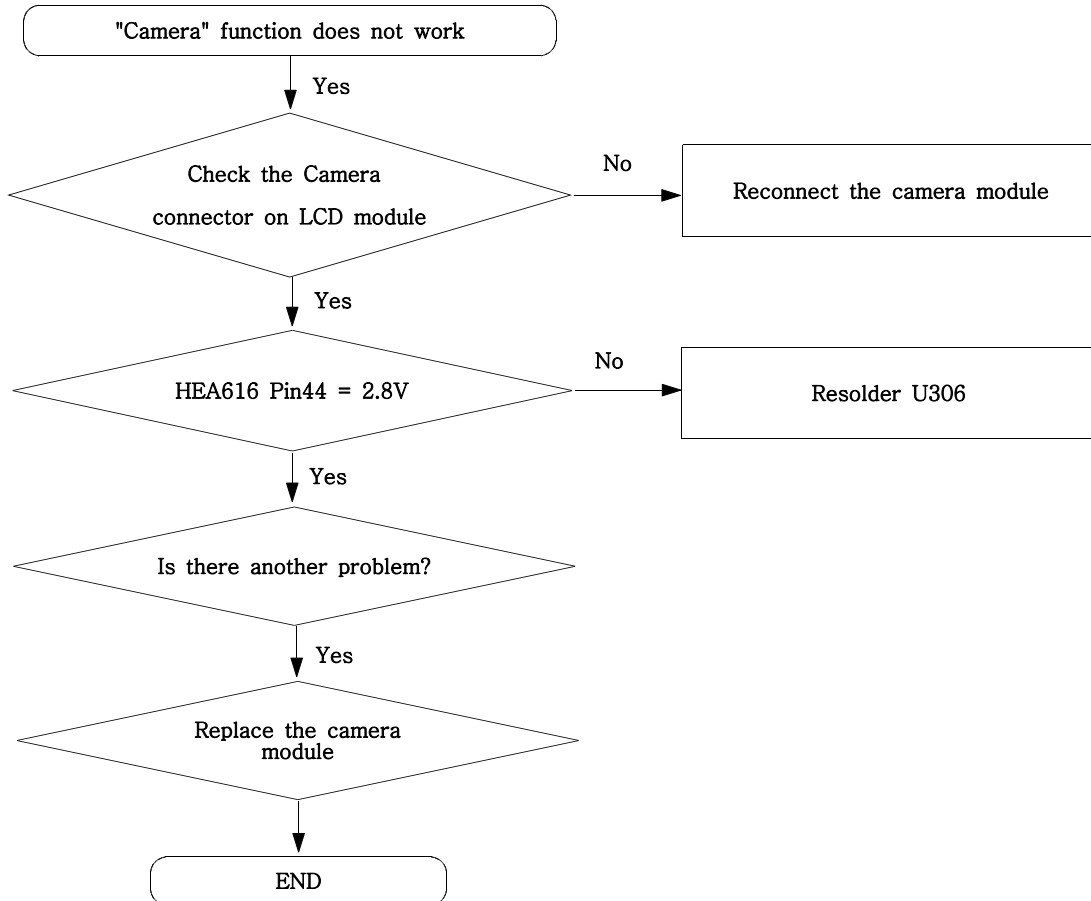
Flow Chart of Troubleshooting

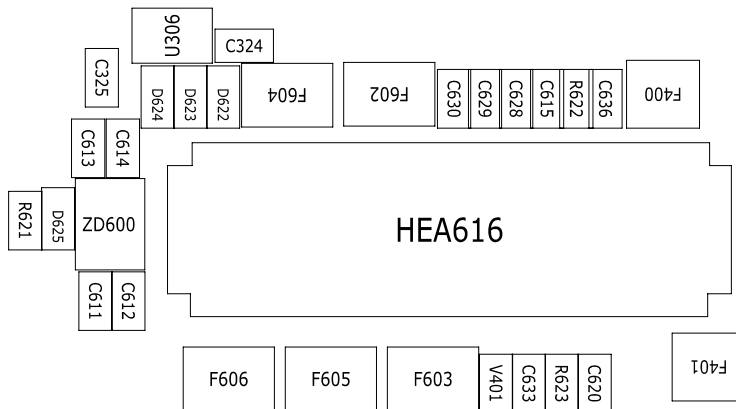
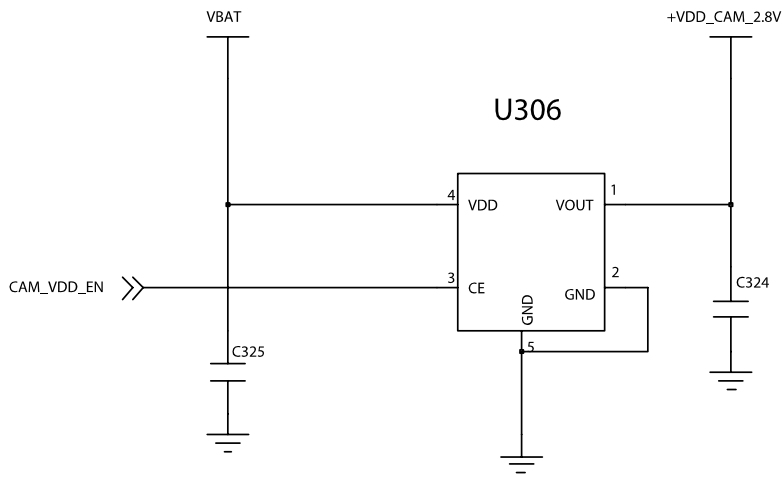
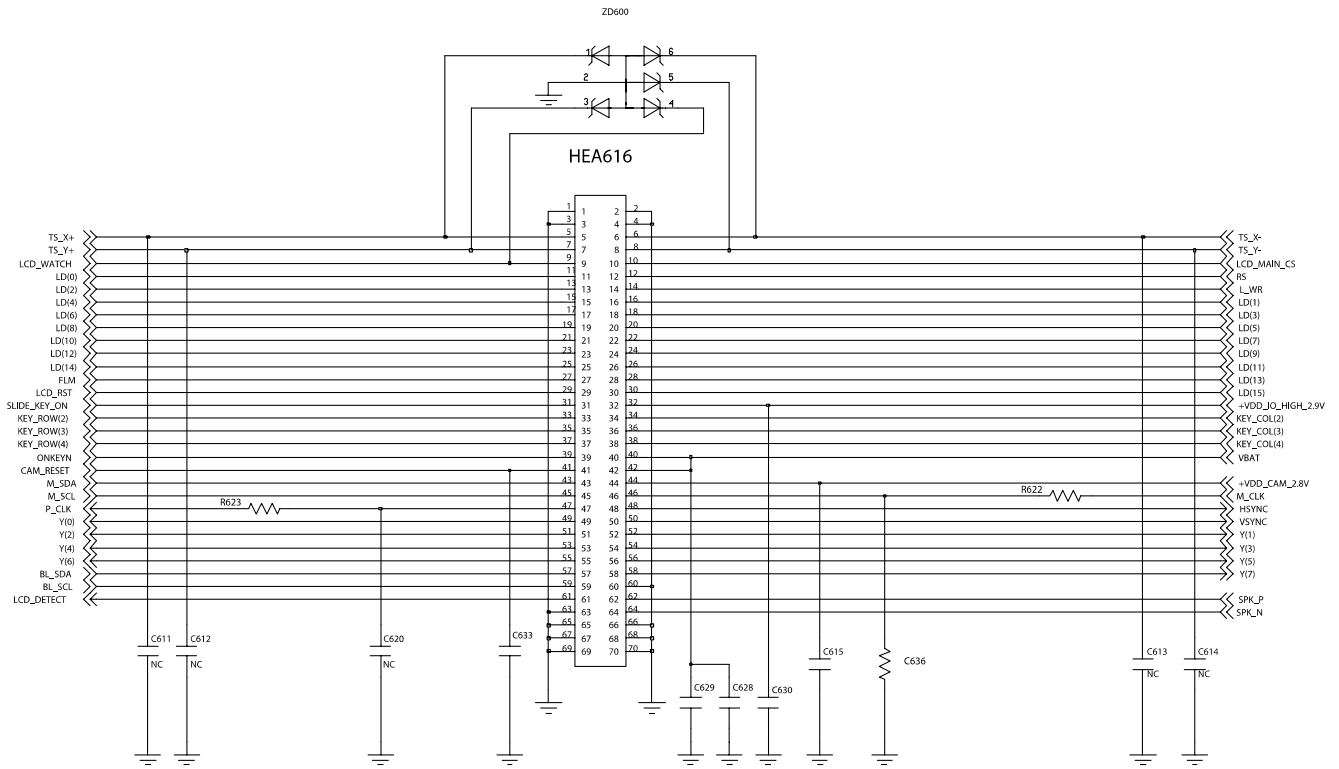


9-10. Key Back Light



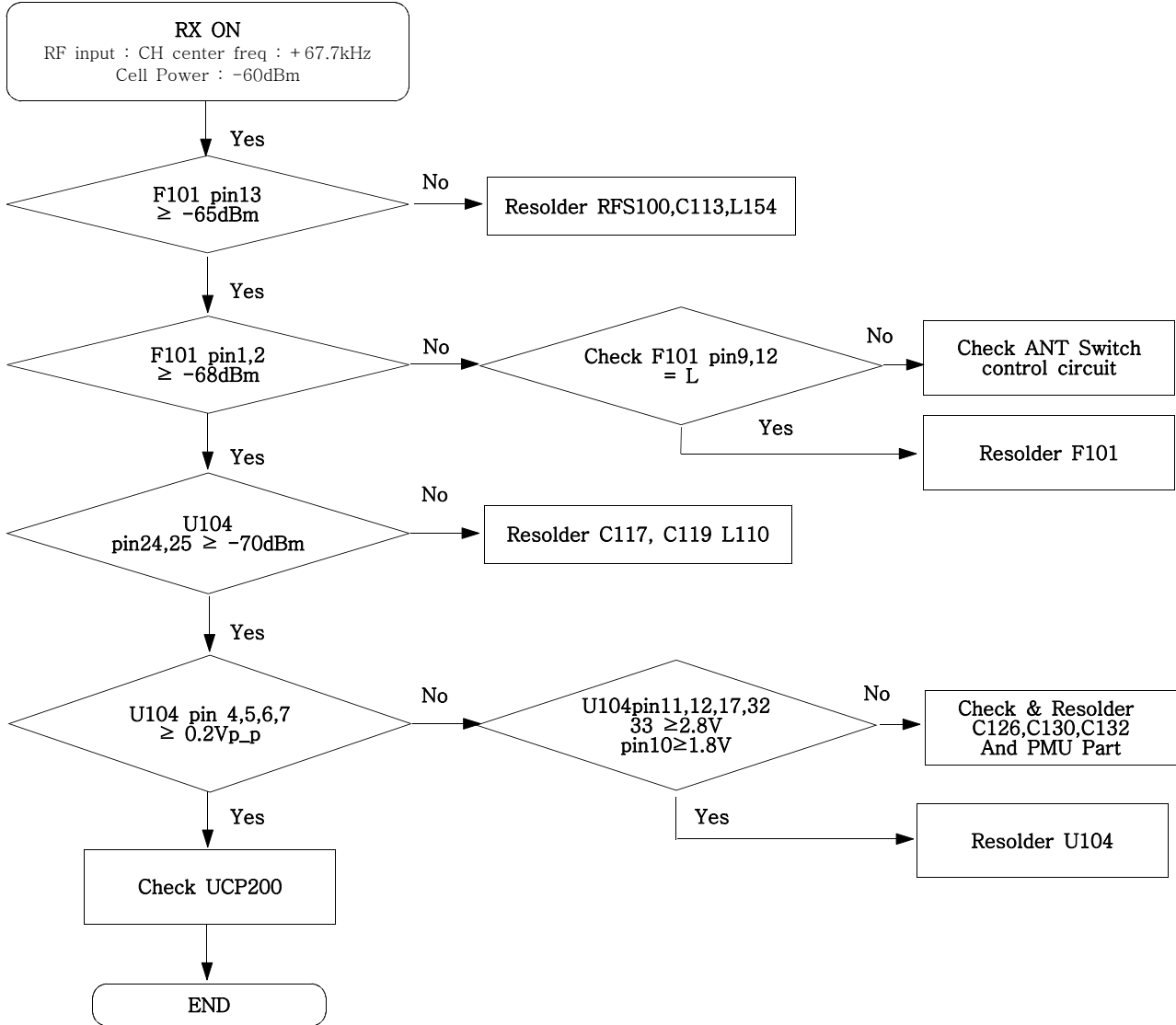
9-11. Camera part



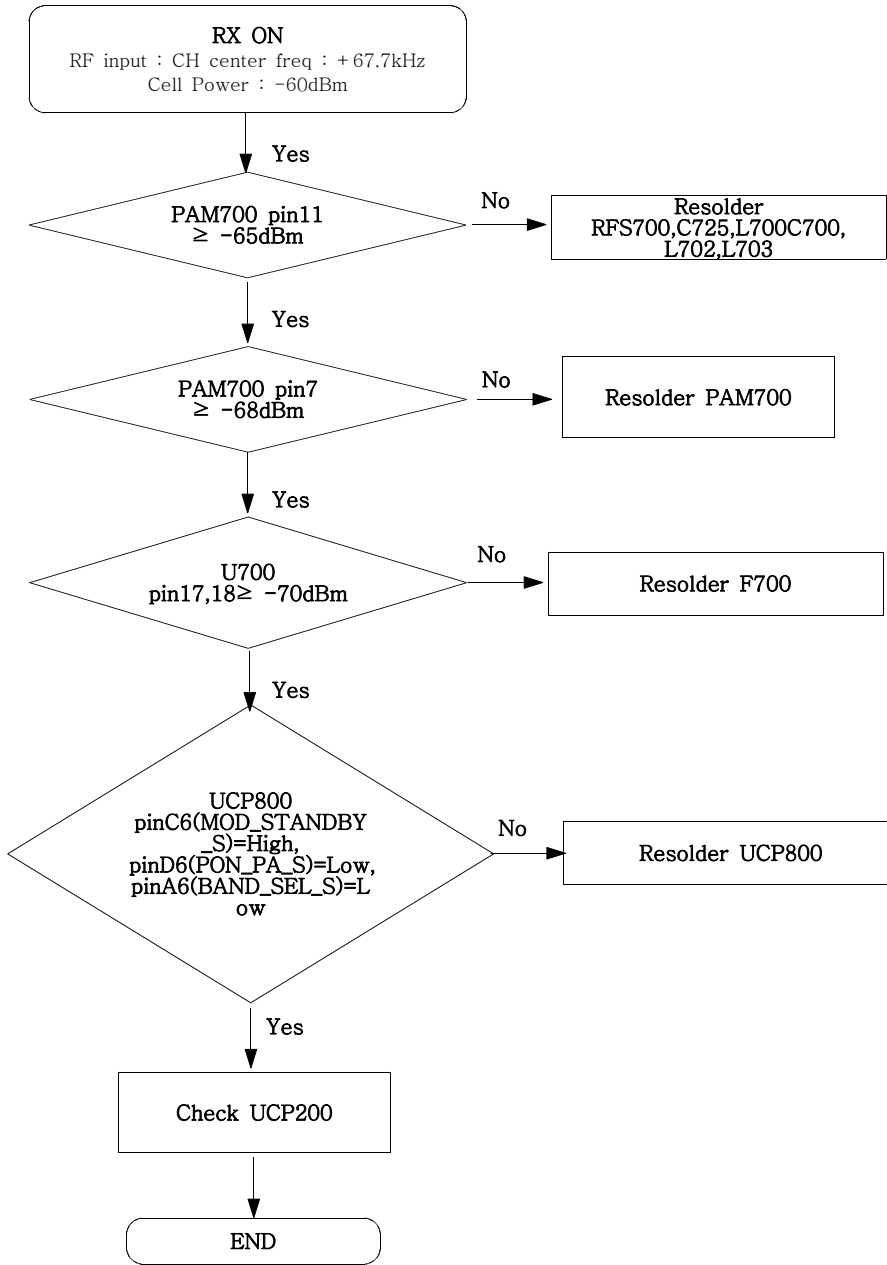


9-12. GSM Receiver

1) Master

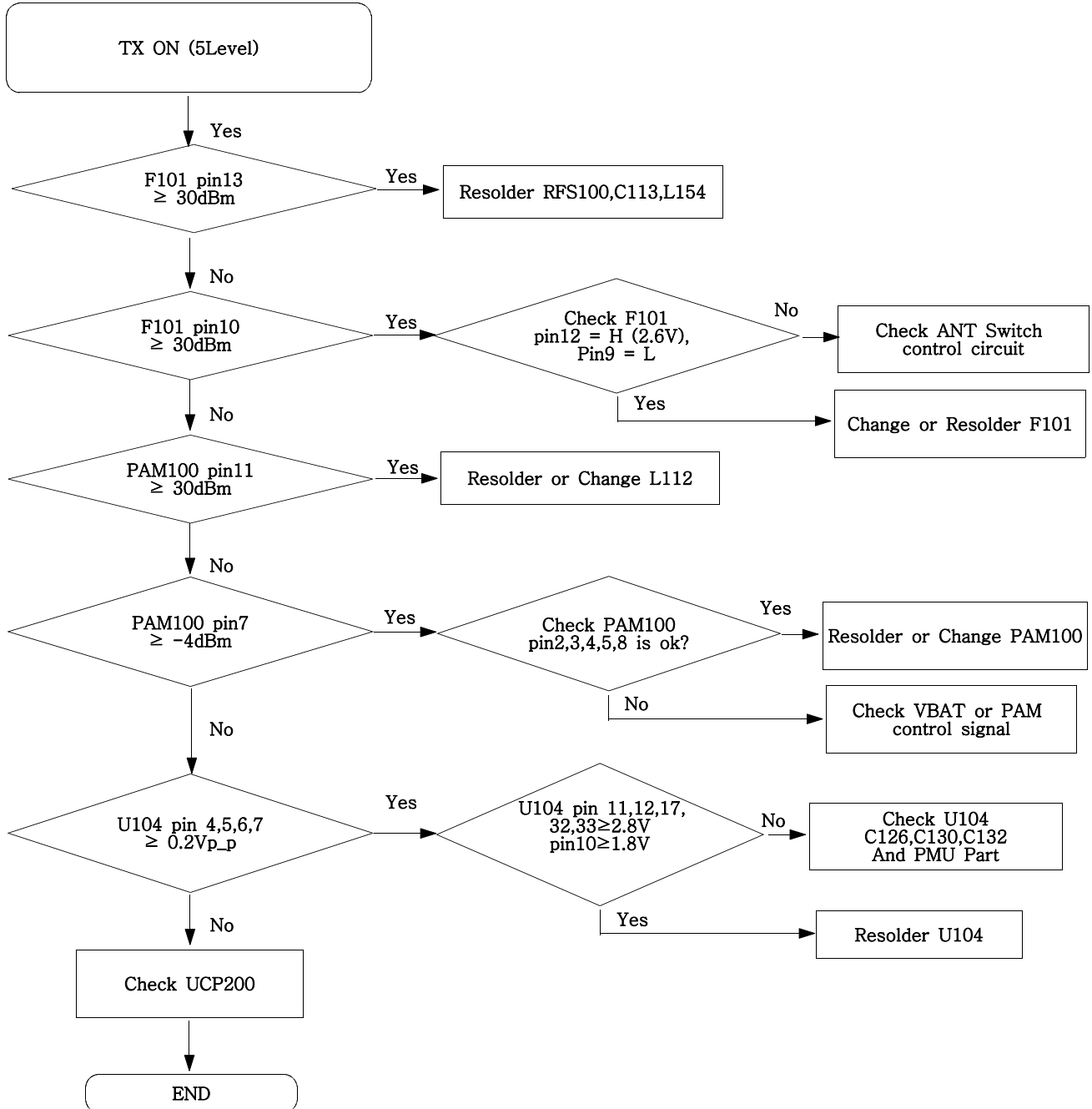


2)Slave

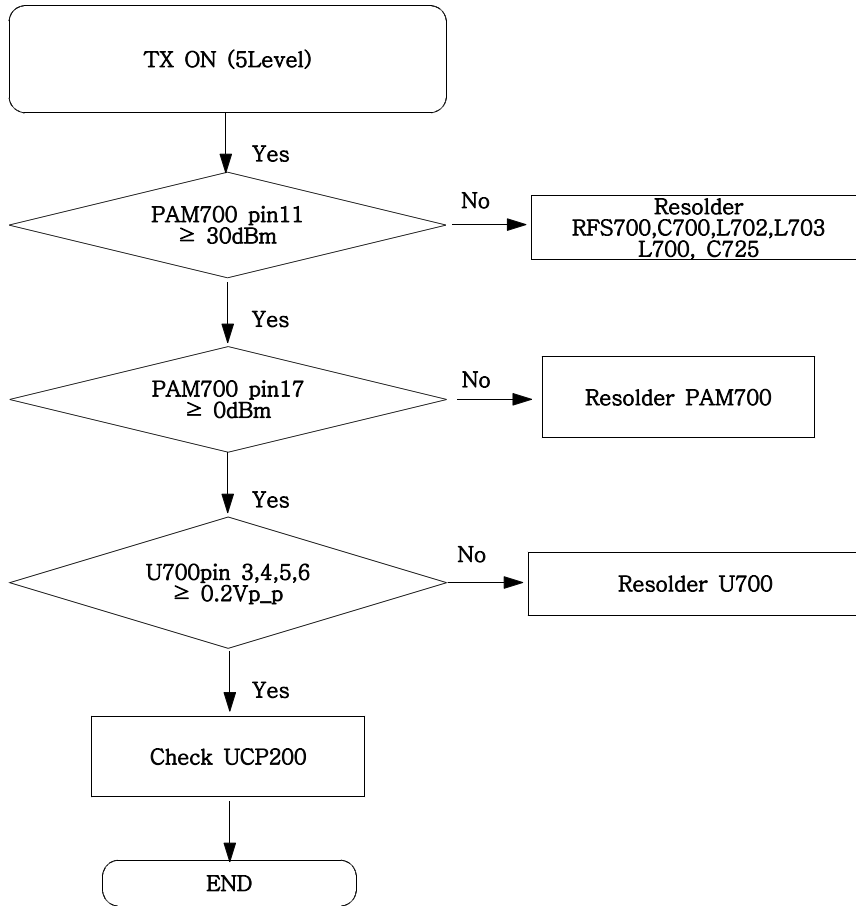


9-13. GSM Transmitter

1) Master

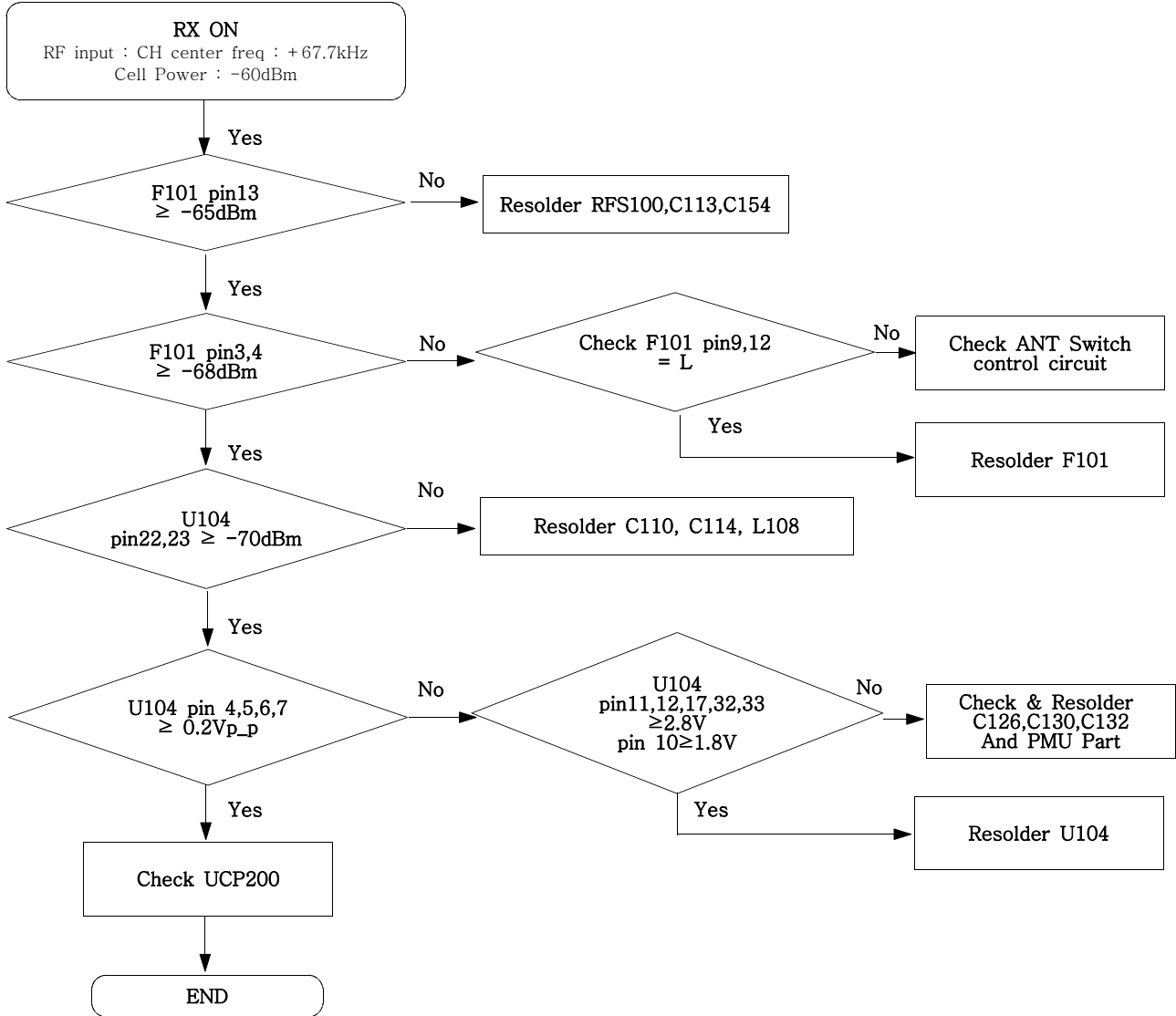


2)Slave

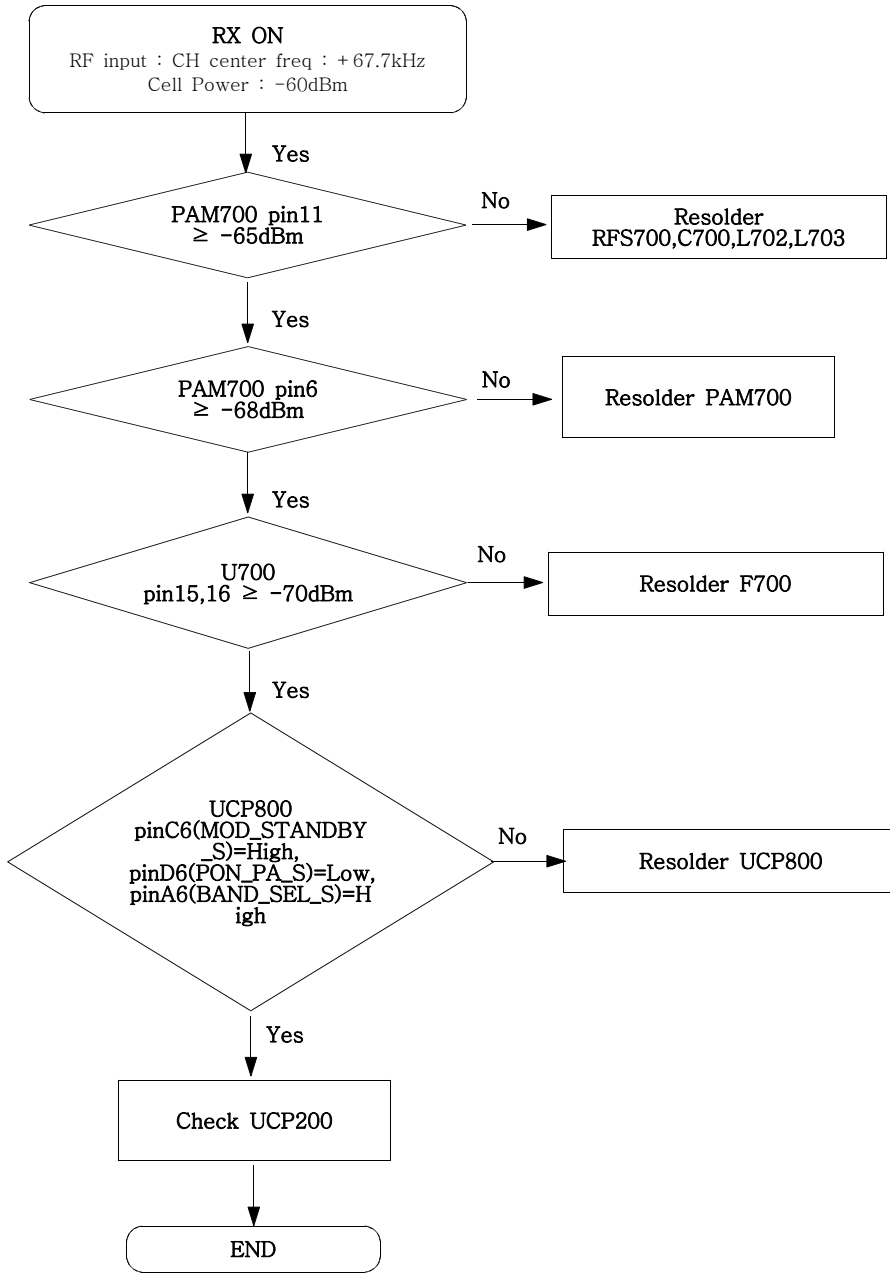


9-14. DCS Receiver

1) Master

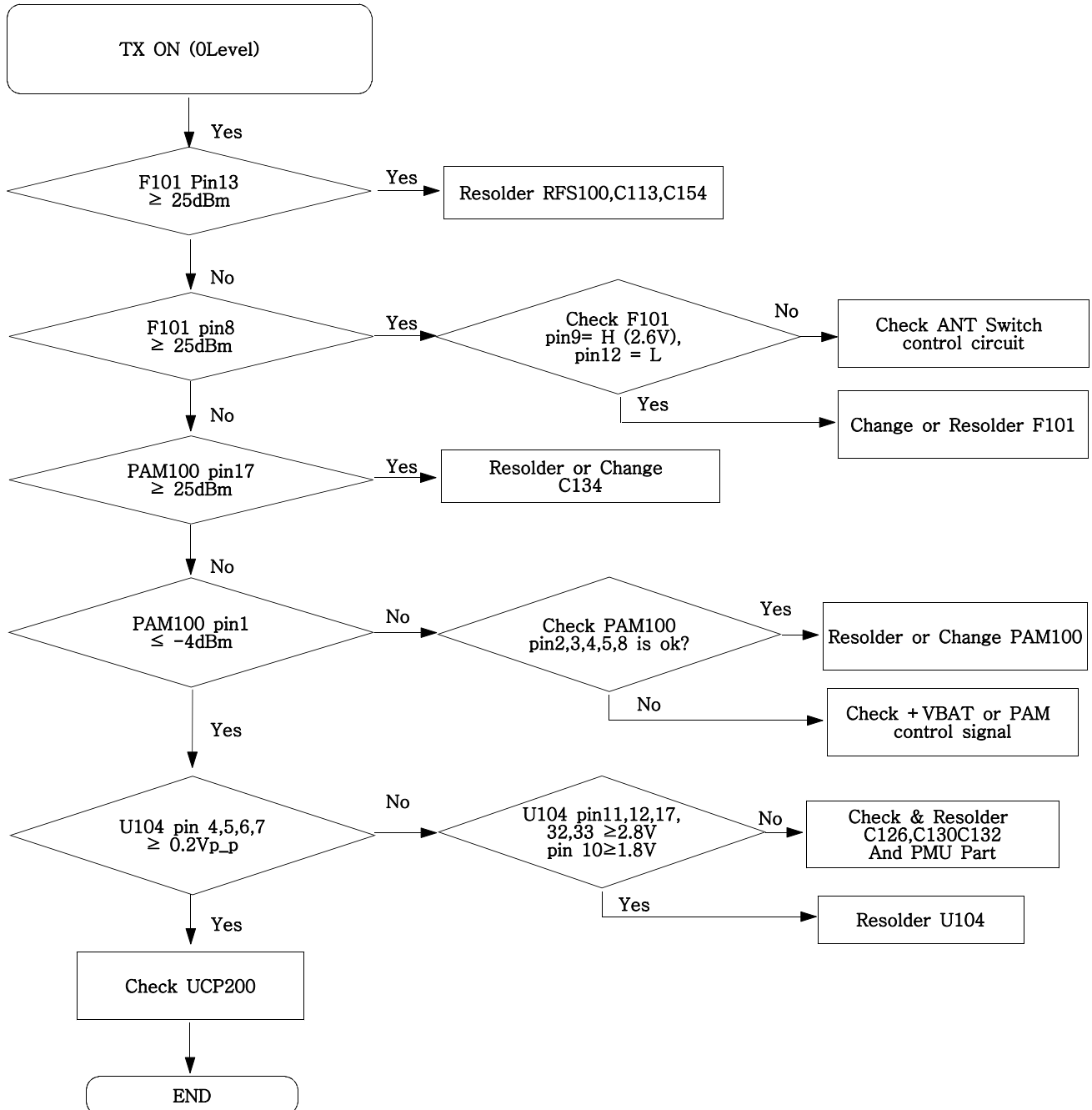


2)Slave

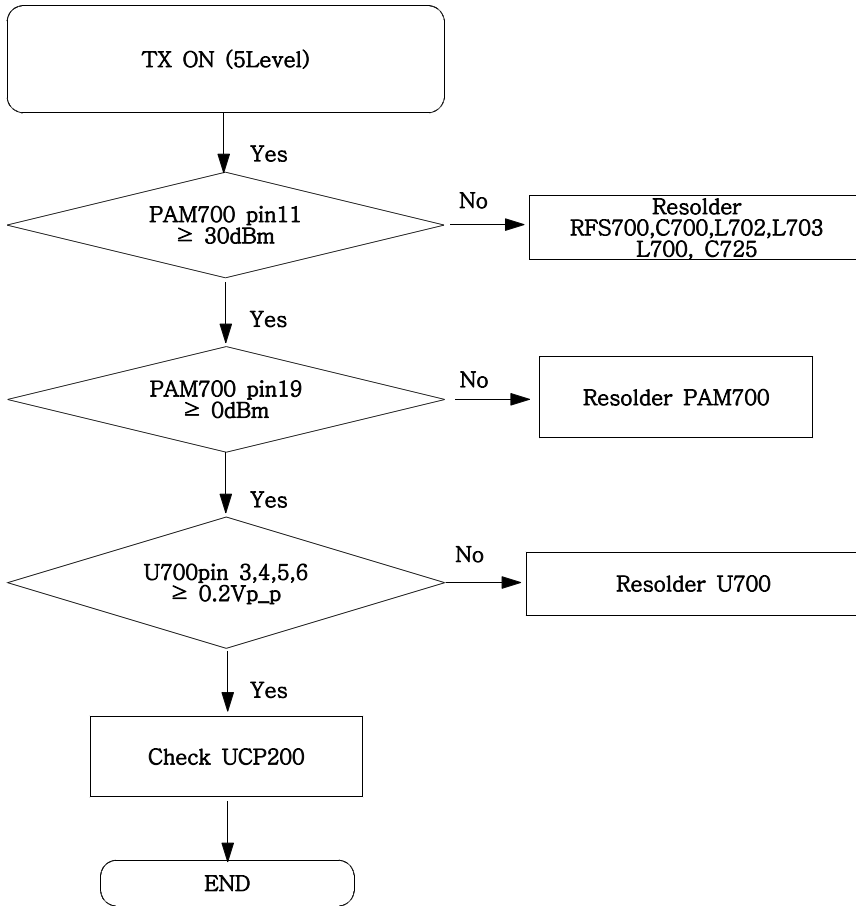


9-15. DCS Transmitter

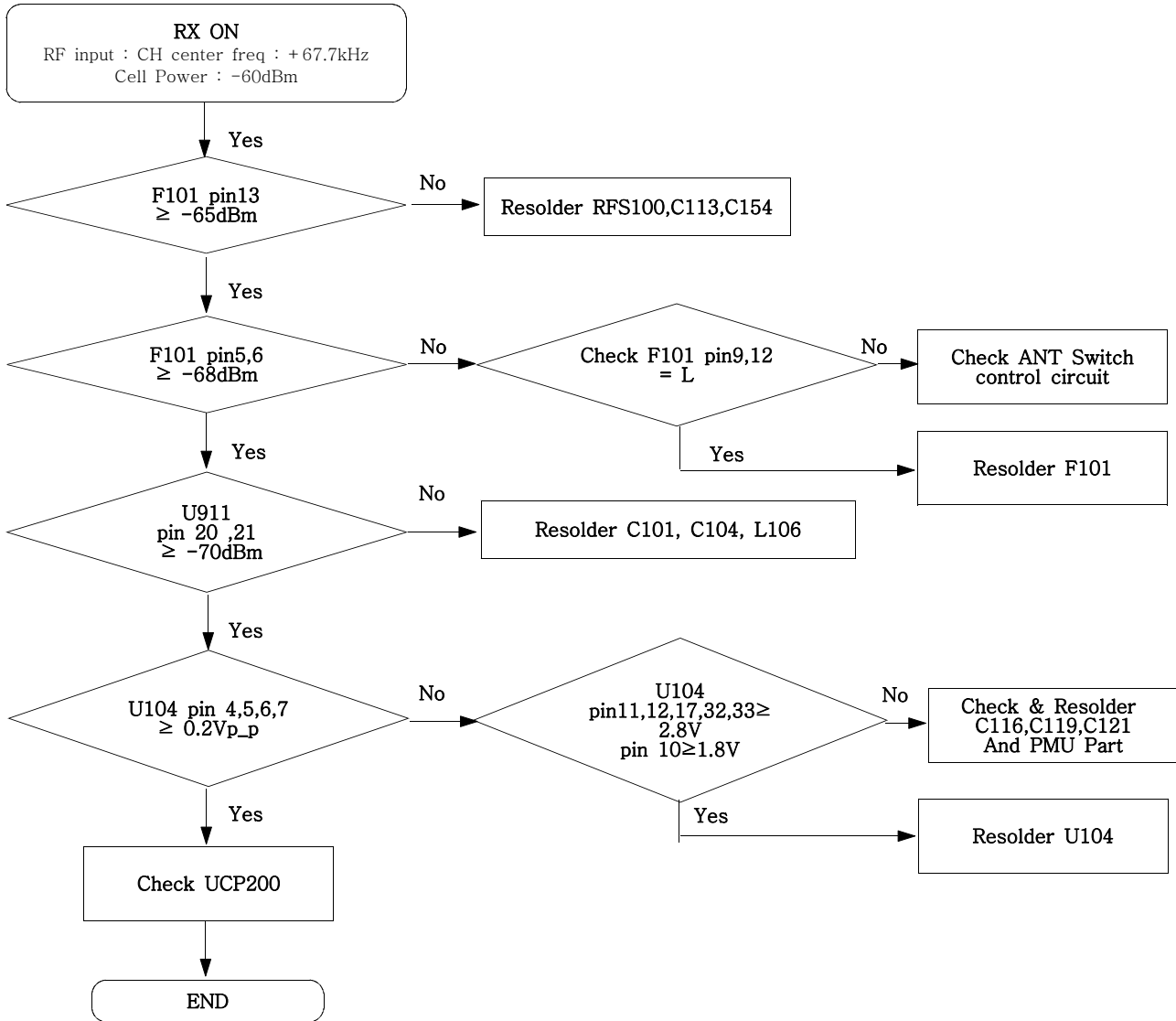
1)Master



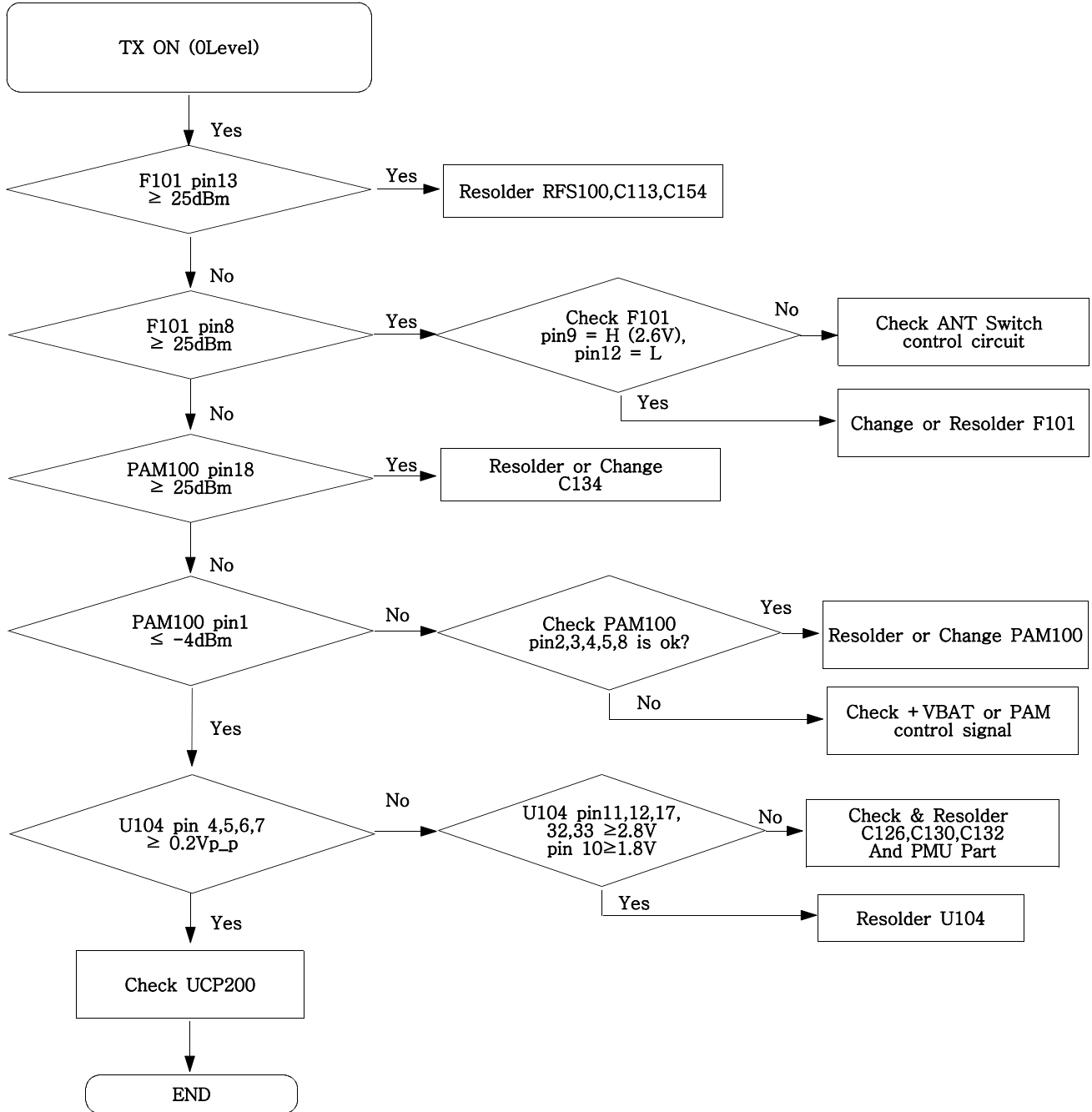
2)Slave

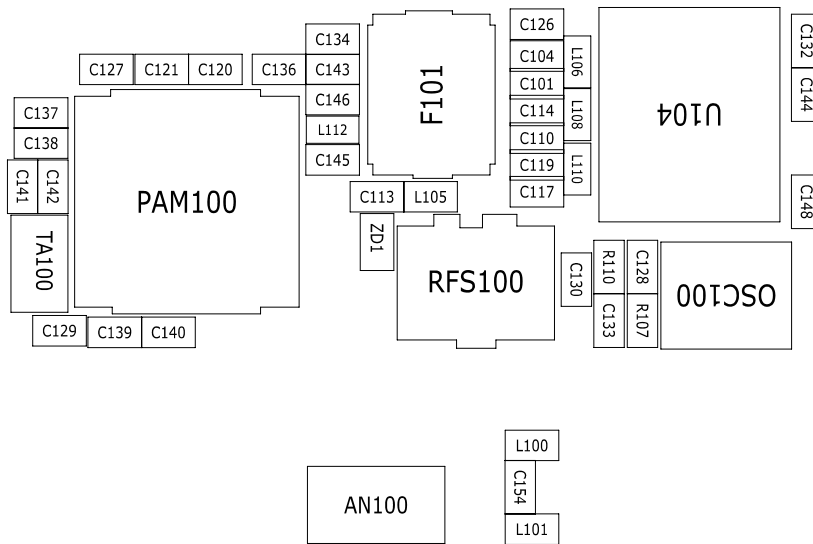
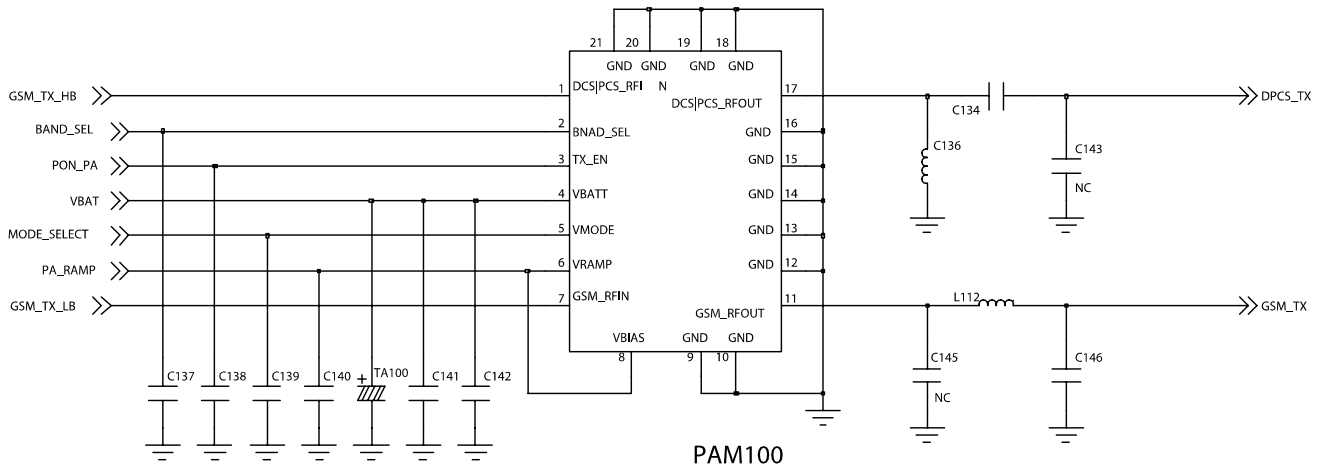


9-16. PCS Receiver

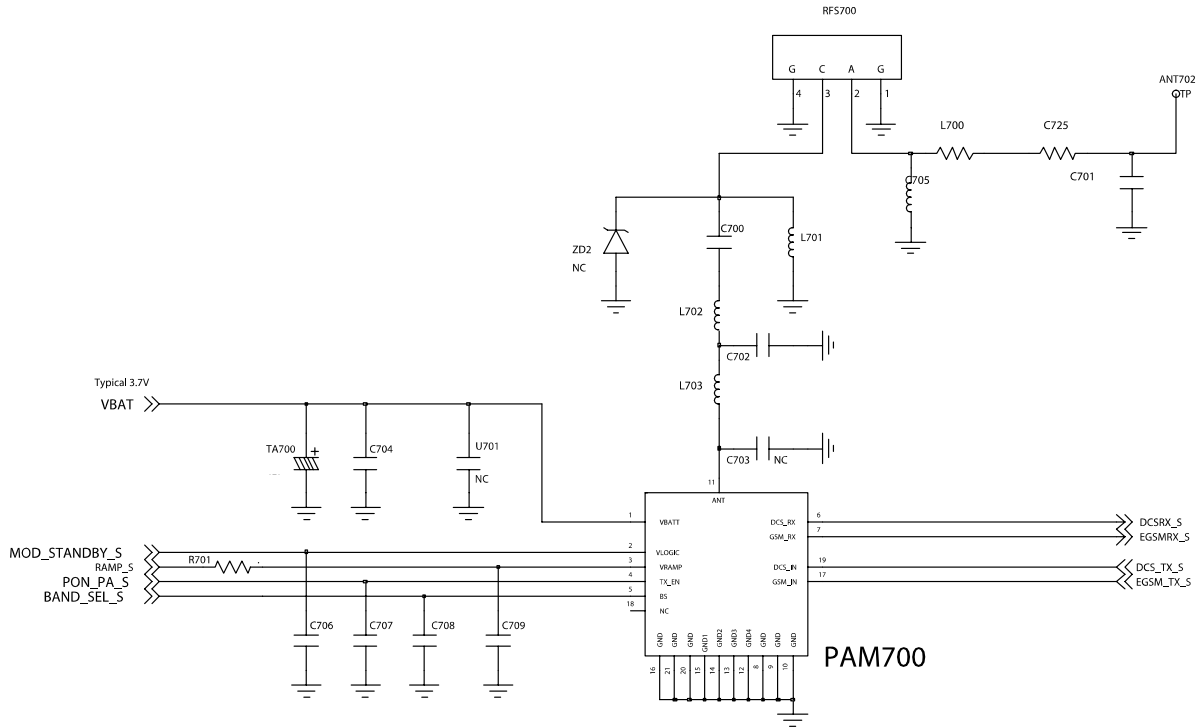


9-17. PCS Transmitter



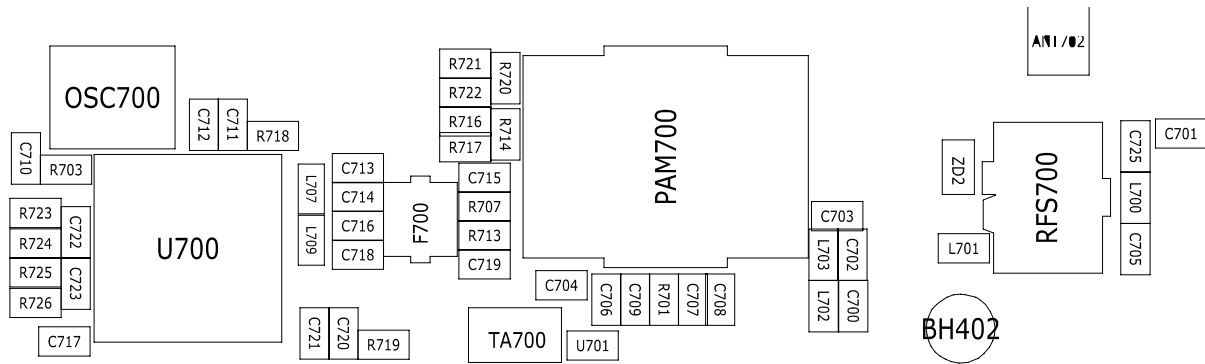
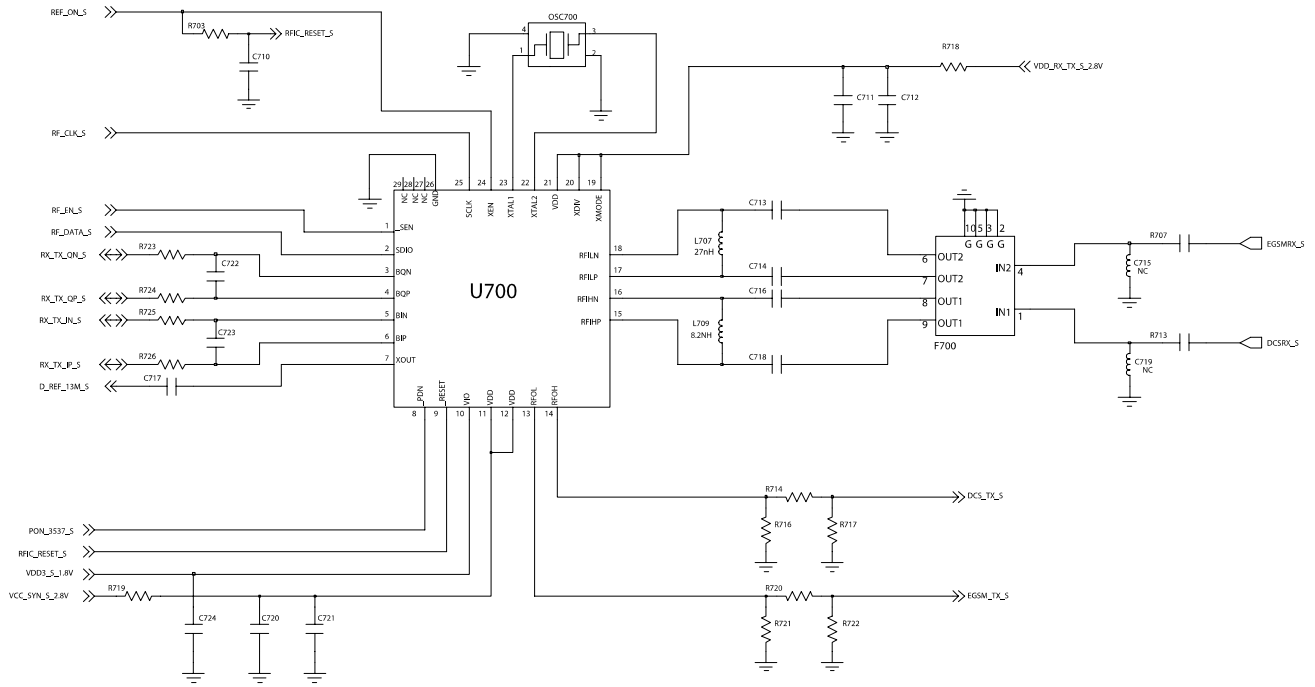


[Slave]

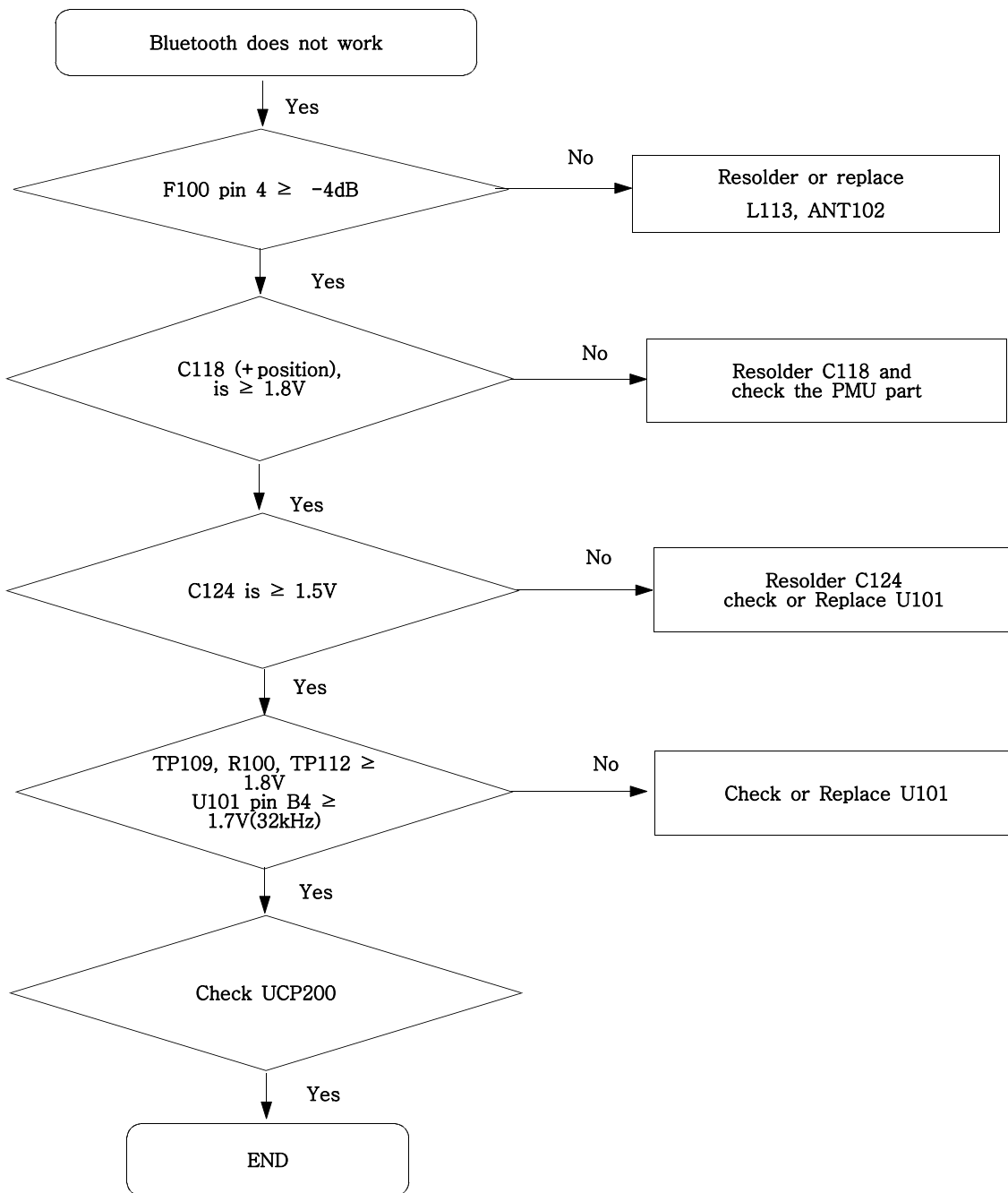


	MOD_STANDBY	PON_PA	BAND_SEL
STAND BY	L	-	-
GSM_RX	H	L	L
DCS_RX	H	L	H
GSM_TX	H	H	L
DCS_TX	H	H	H

TX Module S/W Control Circuit



9-18. Bluetooth part



9-19. FM Radio part

