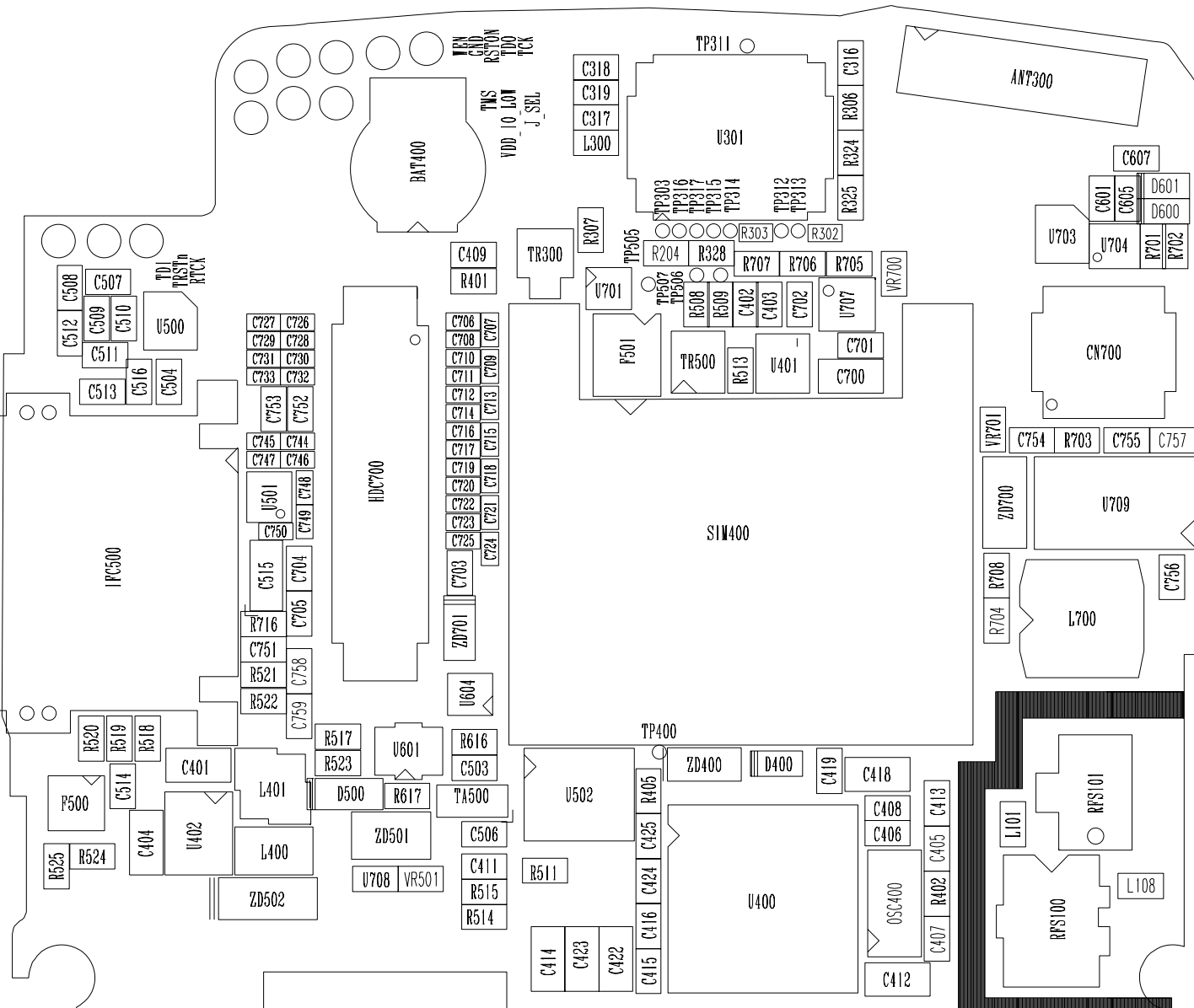
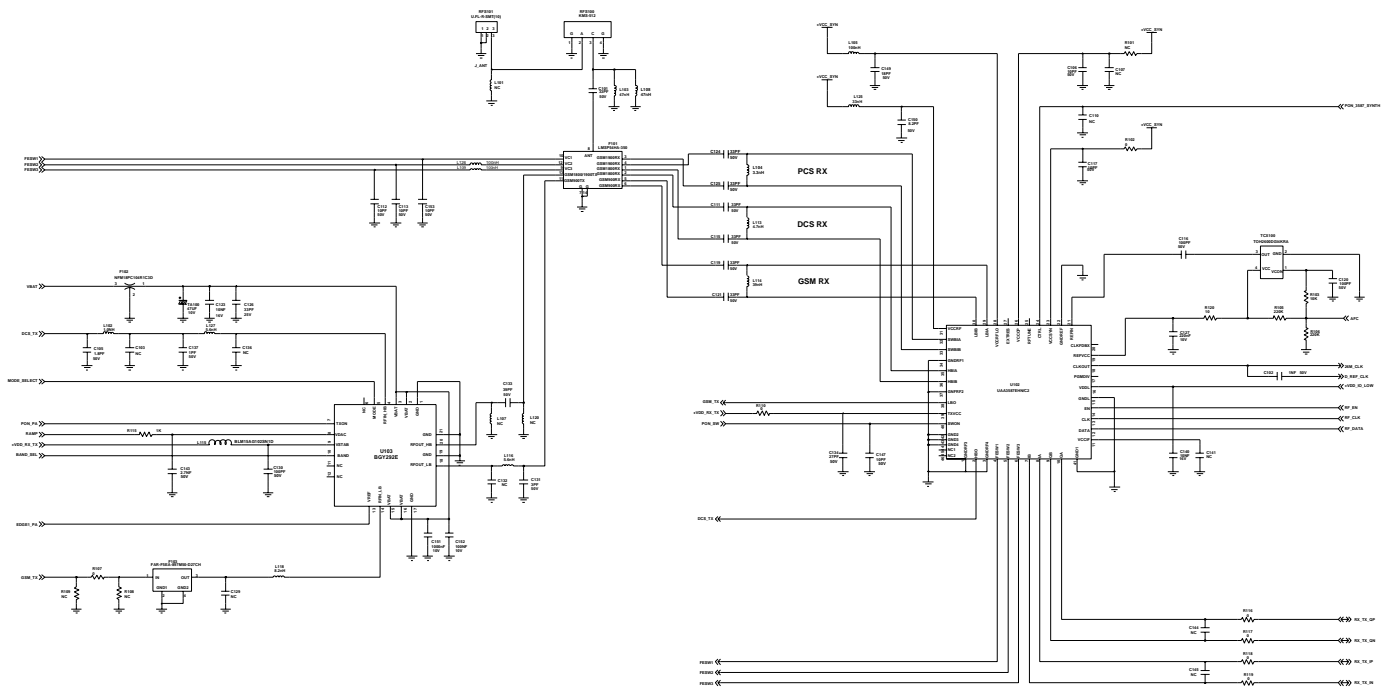


- R231
- R230
- R232
- R233
- R234
- R235
- R236
- R237
- R238
- R239
- R240
- R241
- R242
- R243
- R244
- R245
- R246
- R247
- R248
- R249
- R250

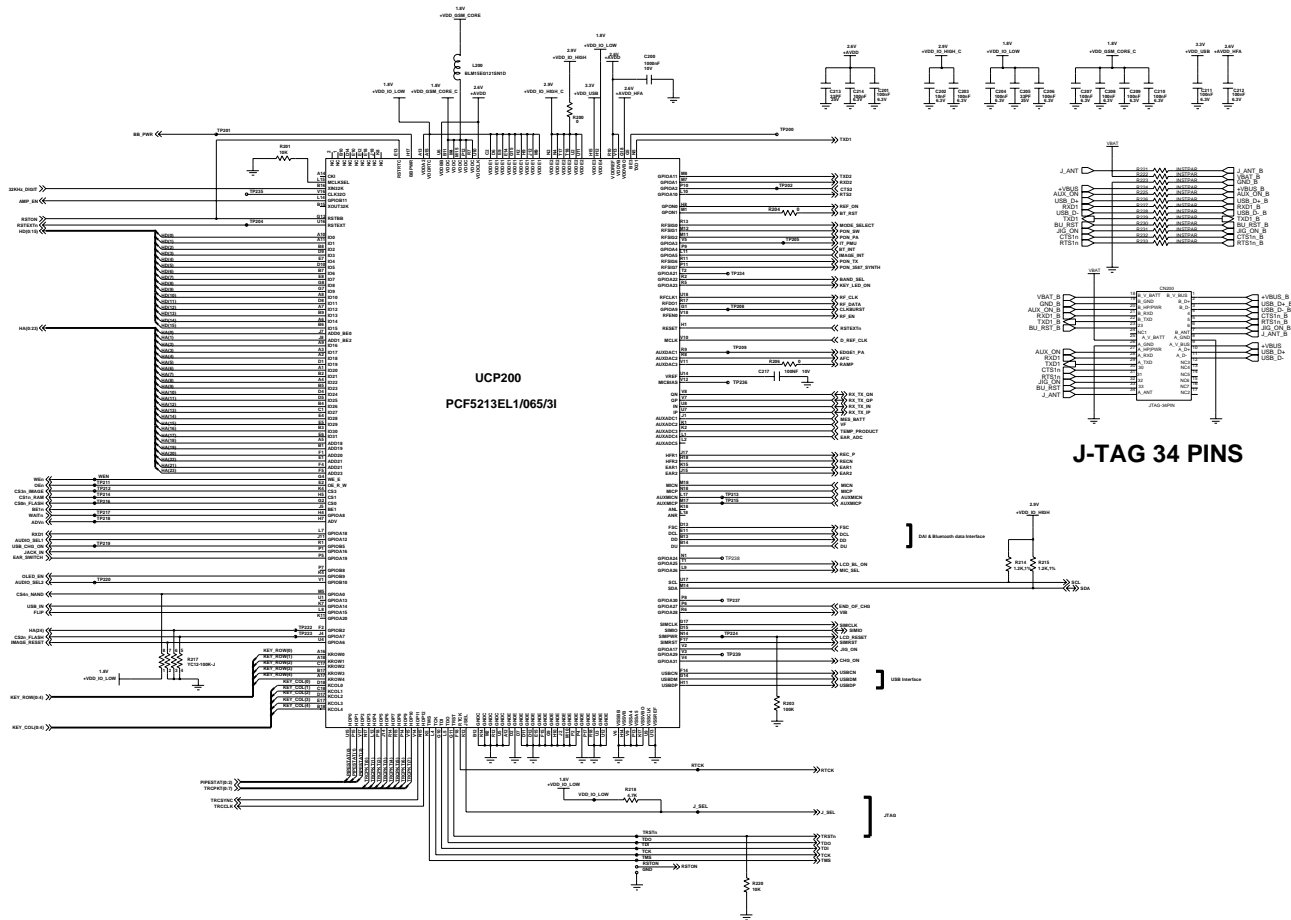
CN200

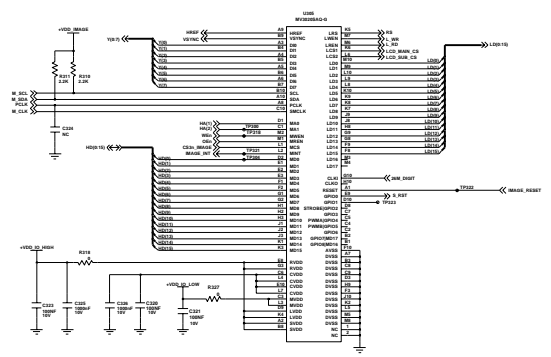
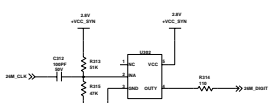
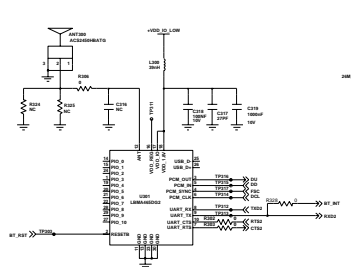
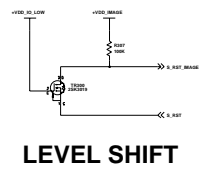
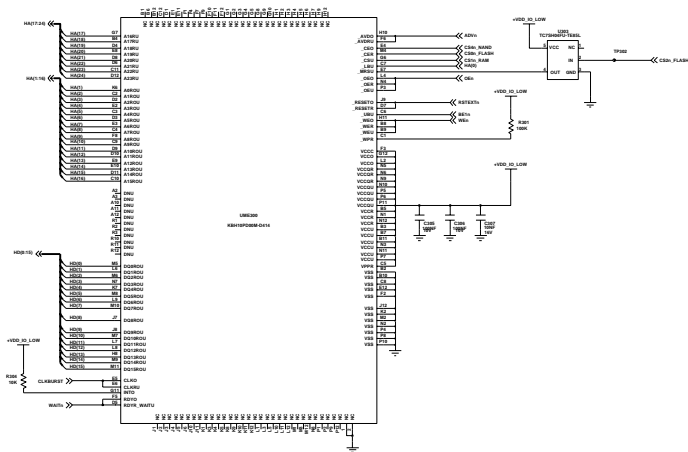
SOLD





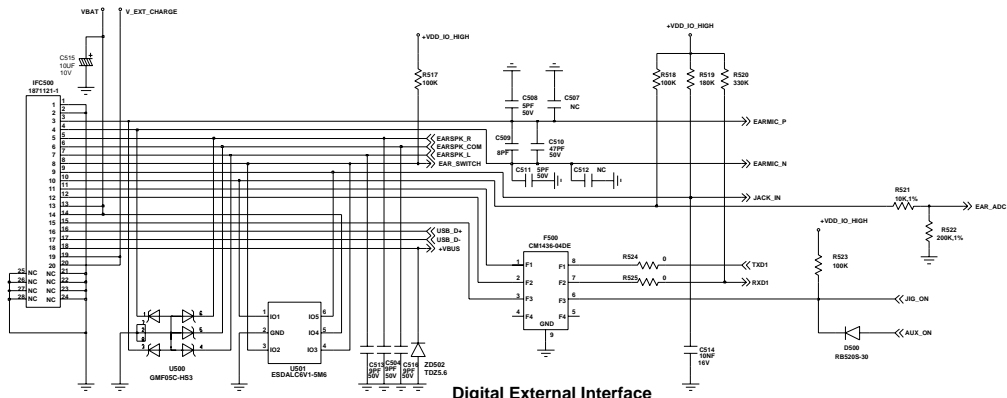
	VCC1	VCC2	VCC3
TUPC0000	0	L	L
TUPC0000000	L	L	L
TUPC00000	L	L	L
TUPC00000	L	L	L
TUPC00000	L	L	R



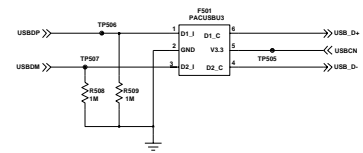


BLUE TOOTH

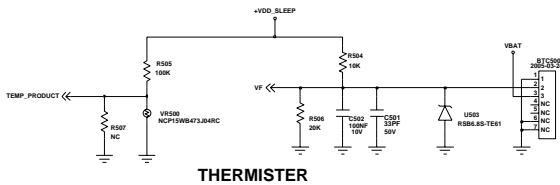
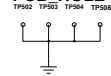
IMAGE_DSP



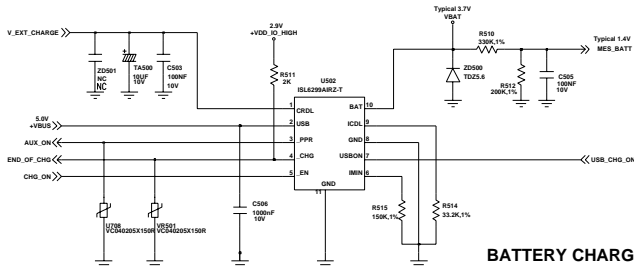
Digital External Interface



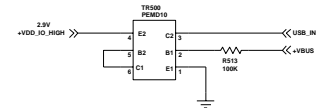
PCB HOLE



THERMISTOR

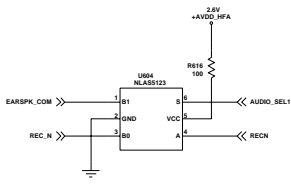
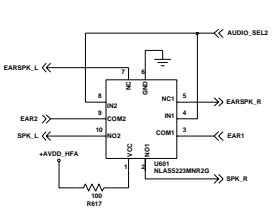
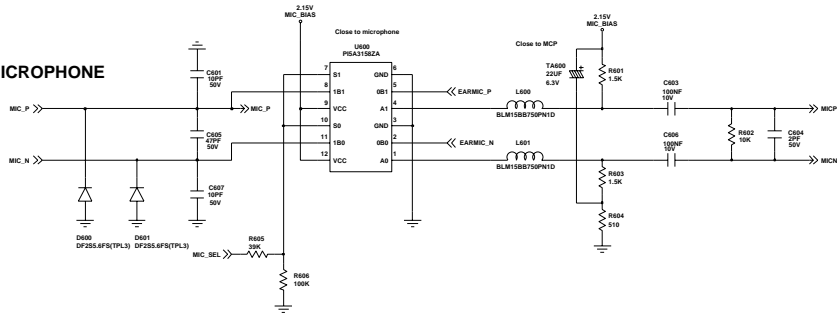


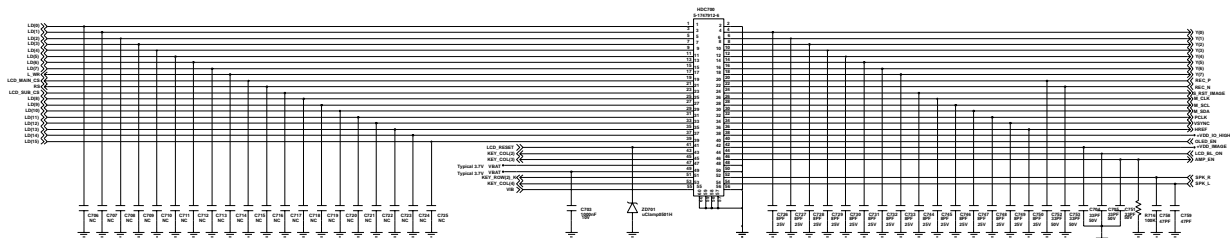
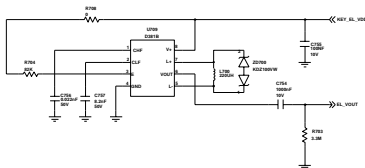
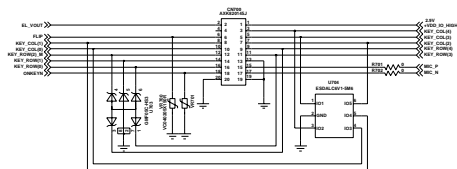
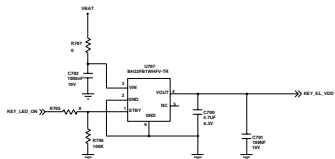
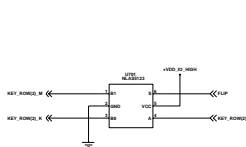
BATTERY CHARGING



Title			
IF Connector & Charging Schematic			
Size	A3	SAMSUNG/SGH-E780B.S/IF & CHARGING	Rev: 0.6
Date:	2006.02.22	Sheet	5 of 7

MICROPHONE





LCD_CONNECTOR