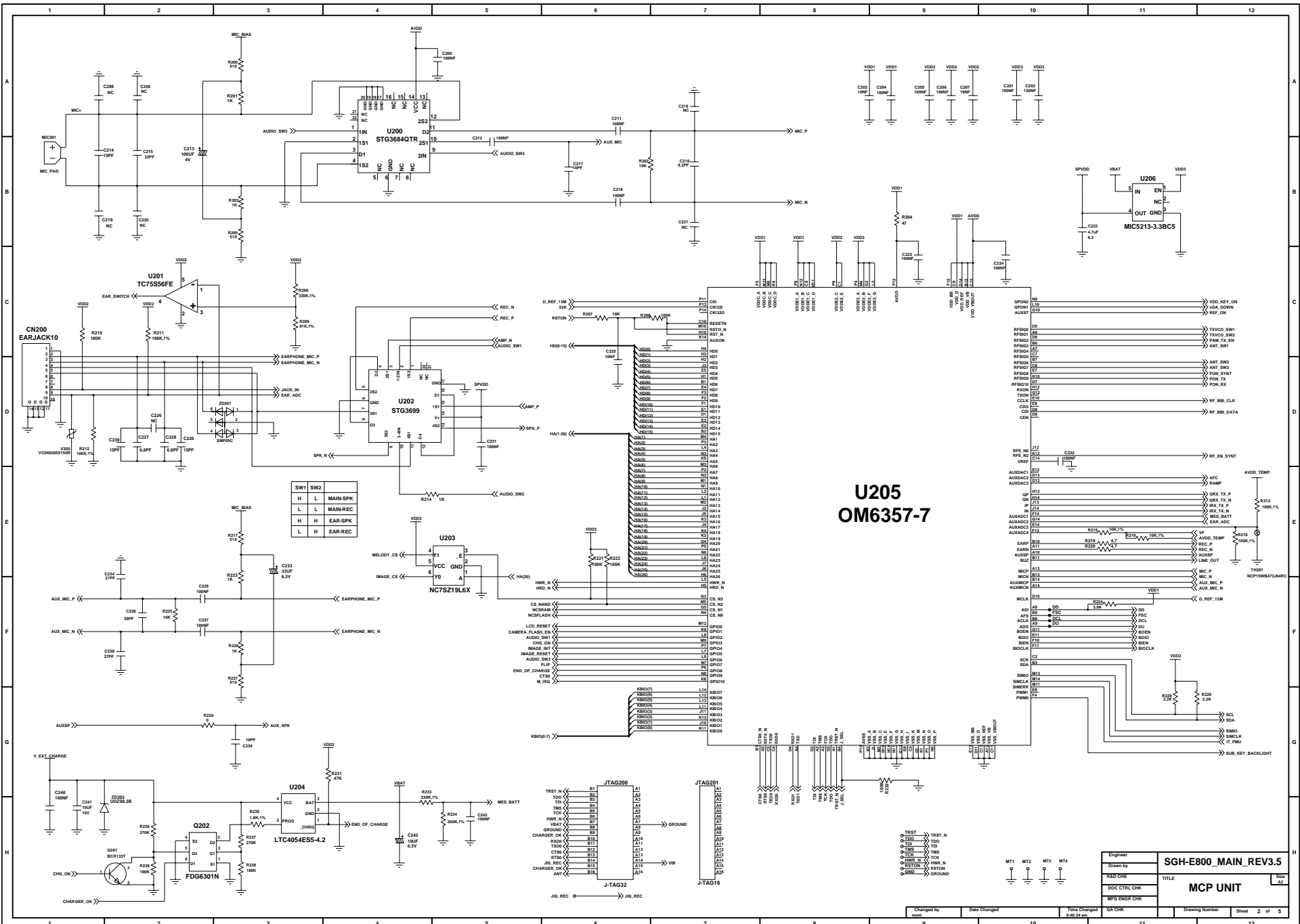
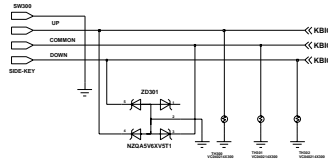
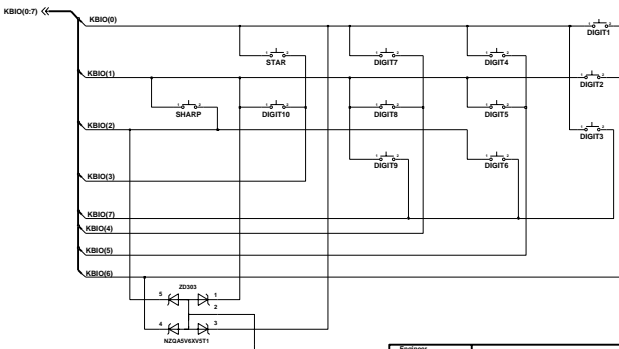
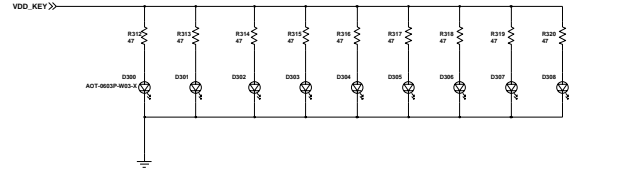
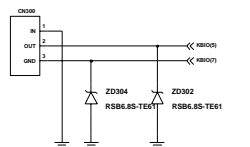
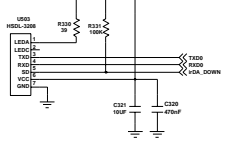
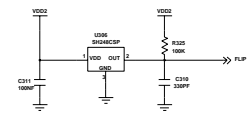
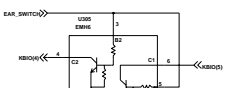
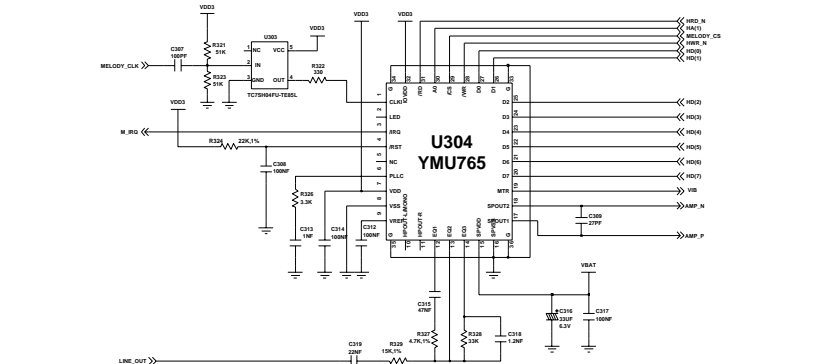
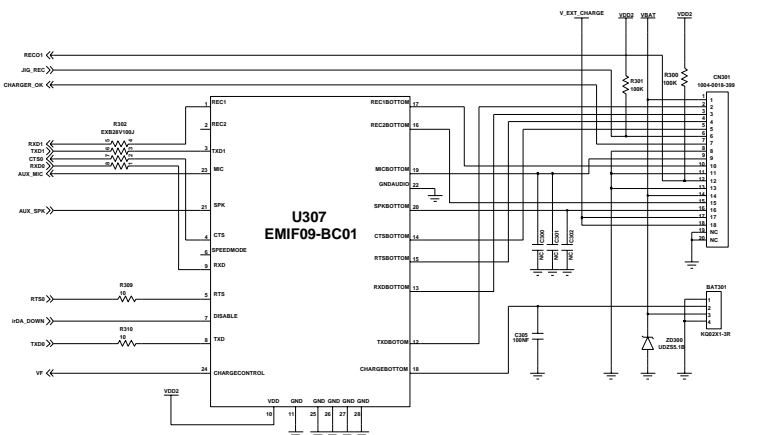
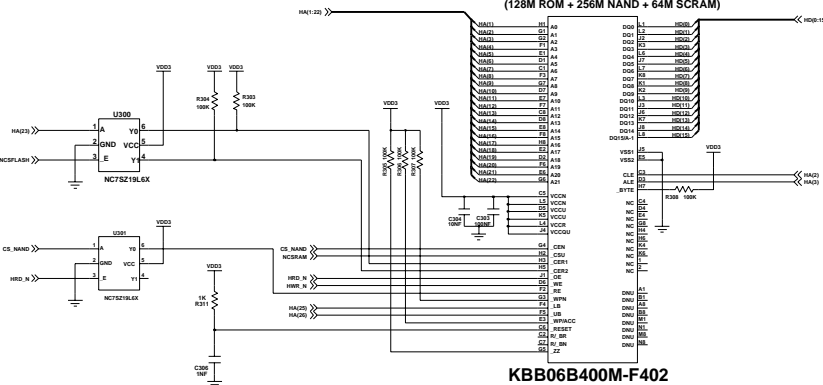


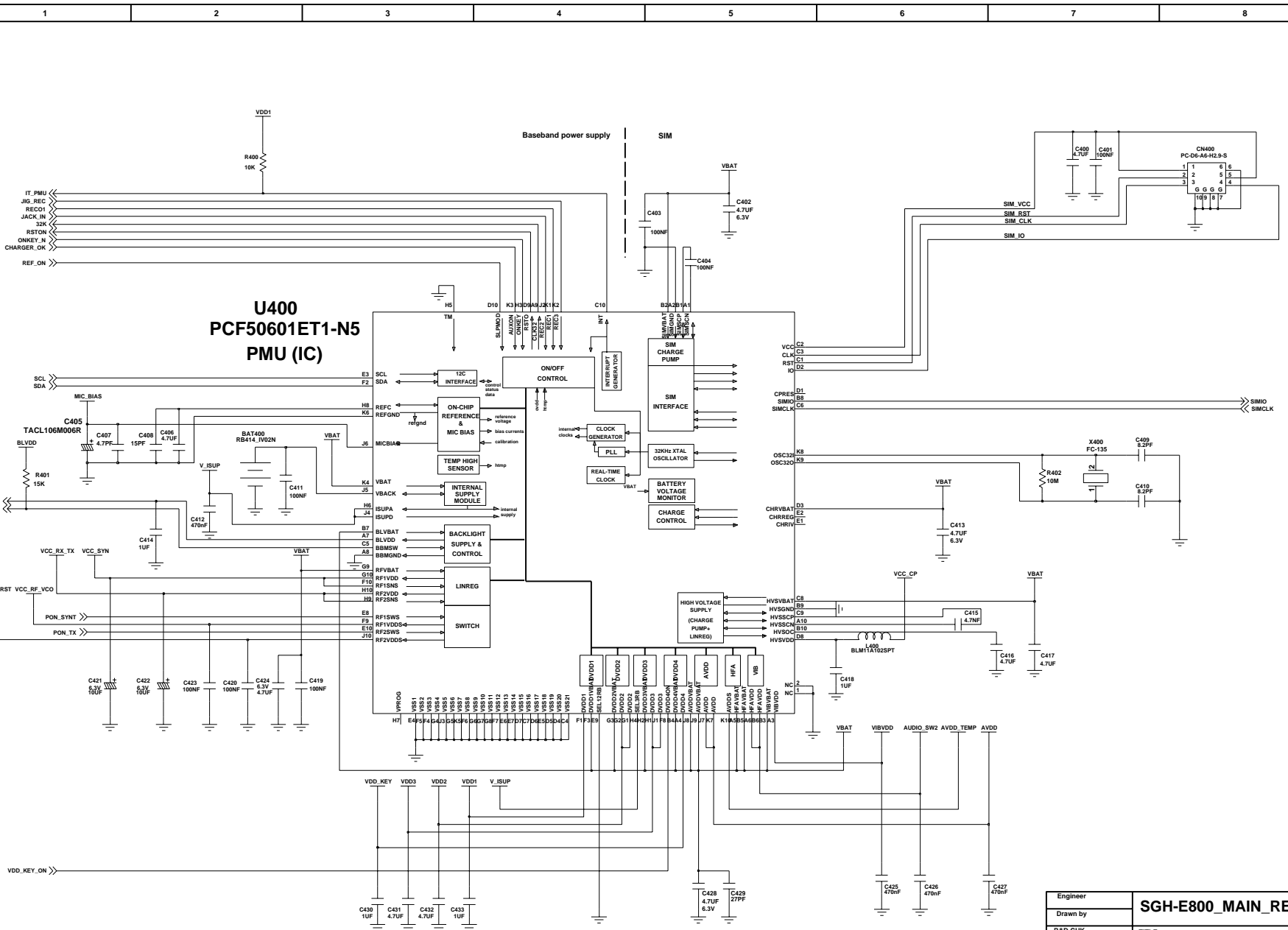
Engineer	SGH-E800-MAIN-REV3.5
Drawn by	
R&D CHK	TITLE
DOC CTRL CHK	RF_Schematic
MFG ENGR CHK	



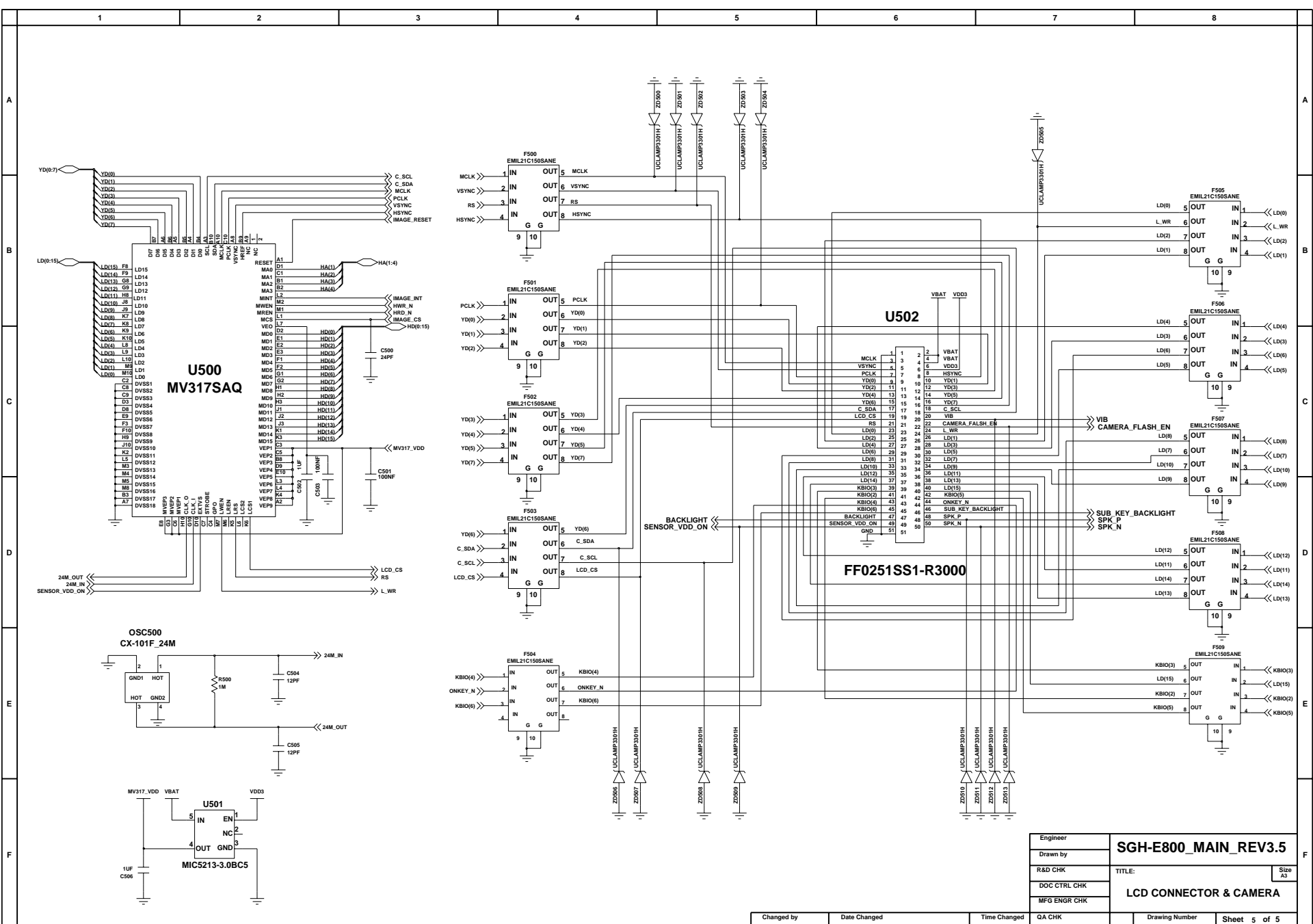
**U205 OM6357-7**

Engineer:	SGH-E800_MAIN_REV3.5
Drawn by:	
TRD CKR:	
DOC CTRL CKR:	TITLE
MPD ENDR CKR:	<b>MCP UNIT</b>
Changed by:	
Date Changed:	2023-01-04
Time Changed:	
QA CKR:	
Drawing Number:	Sheet 2 of 5

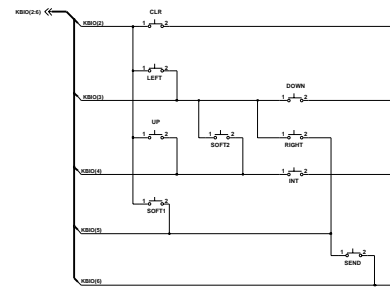
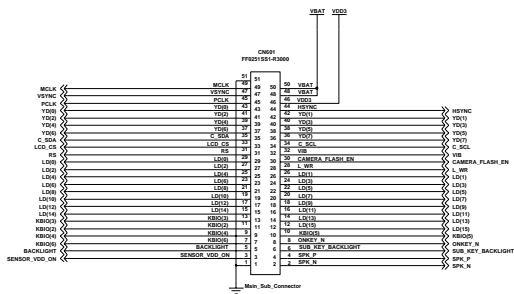
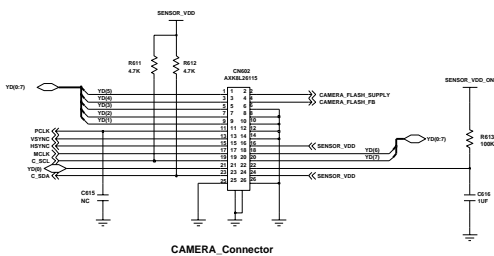
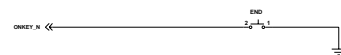
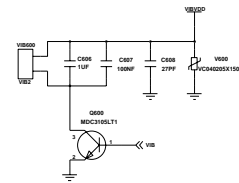
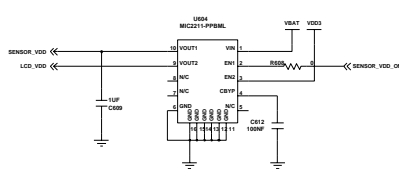
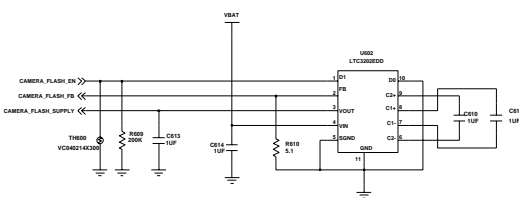
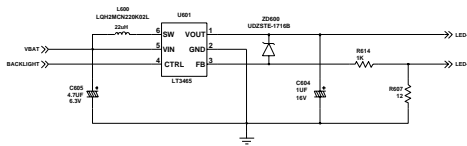
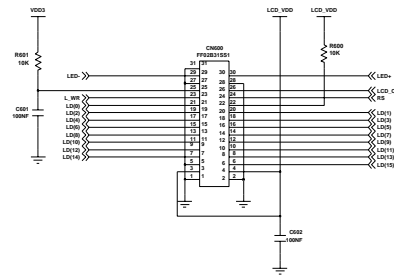
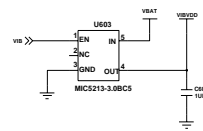
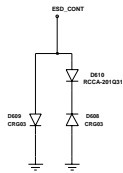
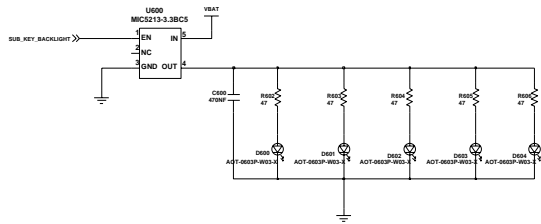


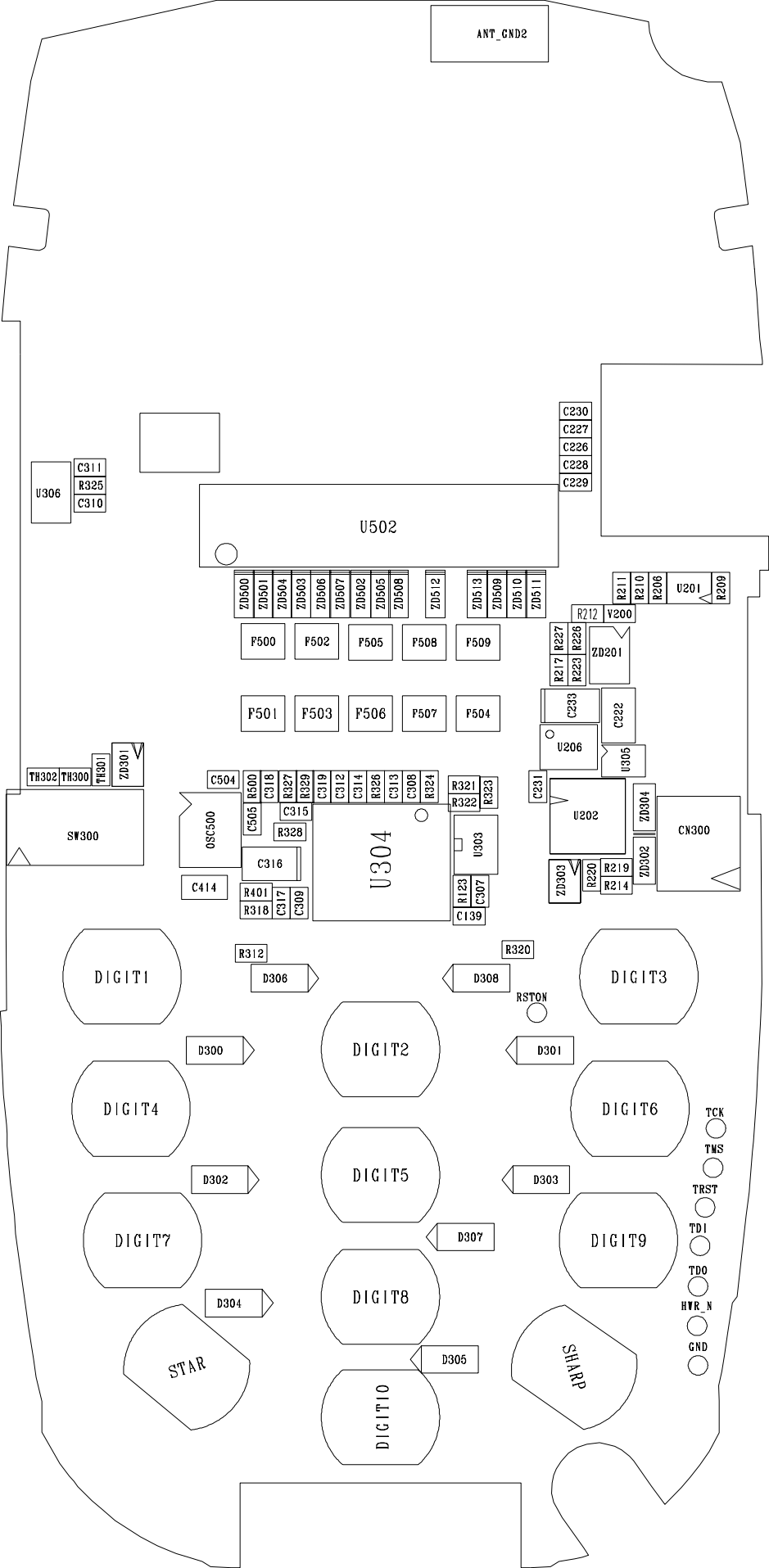


Engineer	SGH-E800_MAIN_REV3.5		
Drawn by			
R&D CHK	TITLE:	Size A3	
DOC CTRL CHK	Power management unit		
MFG ENGR CHK			
QA CHK	Charged by	Date Changed	Time Changed
	Drawing Number	Sheet 4 of 5	



Engineer	<b>SGH-E800_MAIN_REV3.5</b>	
Drawn by	TITLE:	Size A3
R&D CHK	LCD CONNECTOR & CAMERA	
DOC CTRL CHK	MFG ENGR CHK	
GA CHK	Changed by	Date Changed
	Time Changed	Sheet 5 of 5





ANT\_CND2

U306  
C311  
R325  
C310

C230  
C227  
C226  
C228  
C229

U502

ZD500 ZD501 ZD504 ZD503 ZD506 ZD507 ZD502 ZD505 ZD508 ZD512 ZD513 ZD509 ZD510 ZD511

F500 F502 F505 F508 F509

F501 F503 F506 F507 F504

R211 R210 R206 U201 R209

R212 V200

R217 R227 R223 R226 ZD201

C233 C222 U305

U206

TH302 TH300 TH301 ZD301

SW300

OSC500

C414

U304

U303

U202

CN300

C504 R500 C318 R327 R329 C319 C314 R326 C313 C308 R324 R321 R322 R323 C505 R318 R327 R329 C315 R328 C316 R401 C317 C309 R318 C307 C139

C231

ZD303 R220 R219 R214

DIGIT1

R312 D306

R320 D308 RSTON D301

DIGIT3

DIGIT4

D300

DIGIT2

DIGIT6

TCK TMS

DIGIT7

D302

DIGIT5

D303

DIGIT9

TRST TD1 TD0

STAR

D304

DIGIT8

D307

SHARP

HVR\_N GND

DIGIT10

D305





