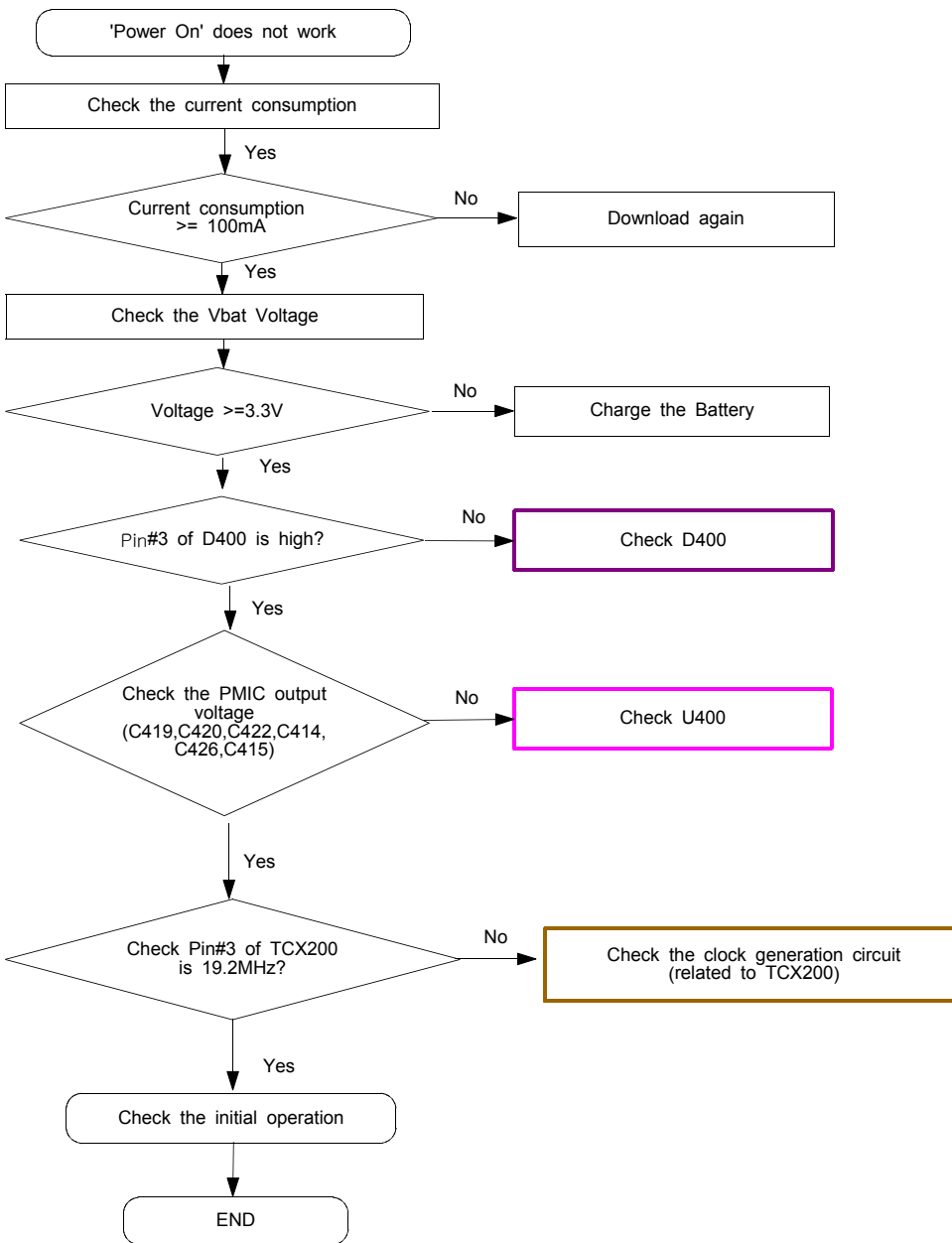
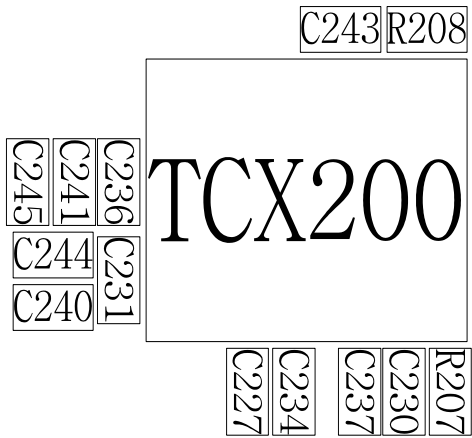
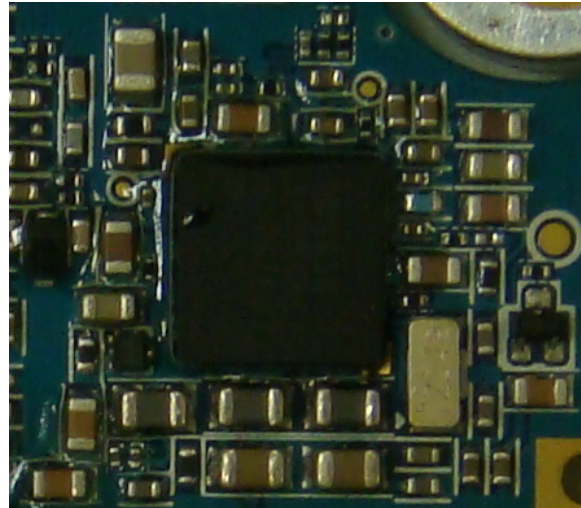
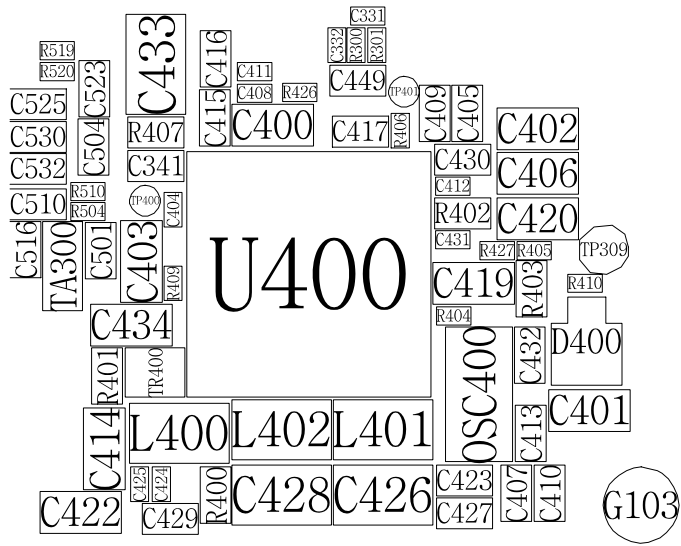
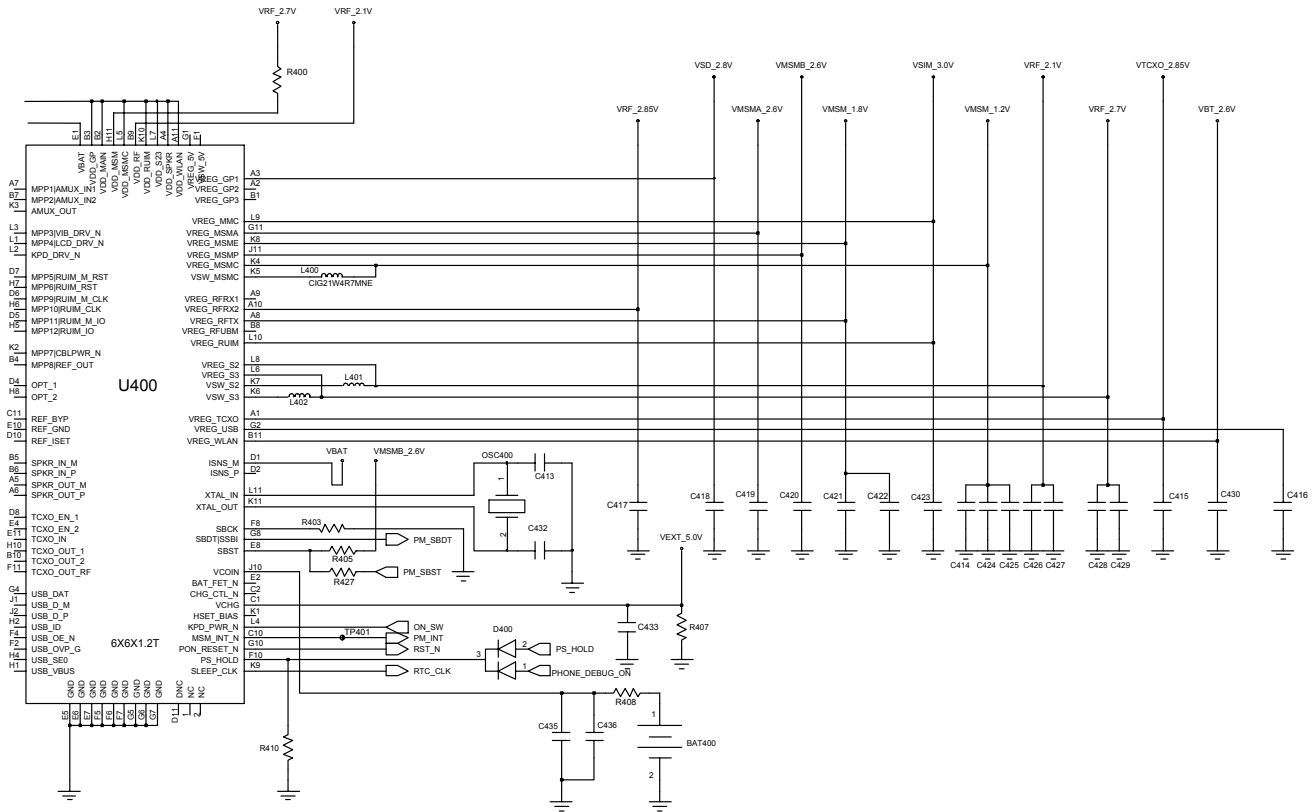

10. Flow Chart of Troubleshooting

10-1-1. Power ON

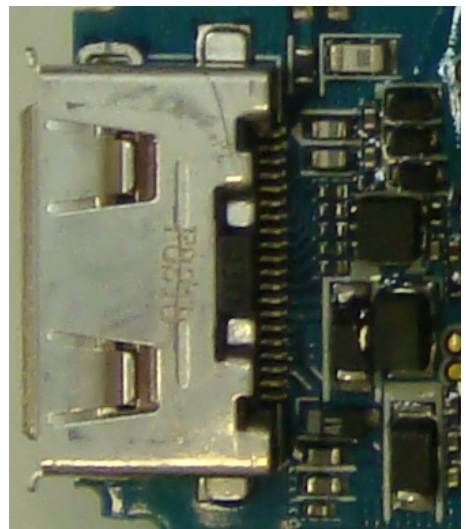
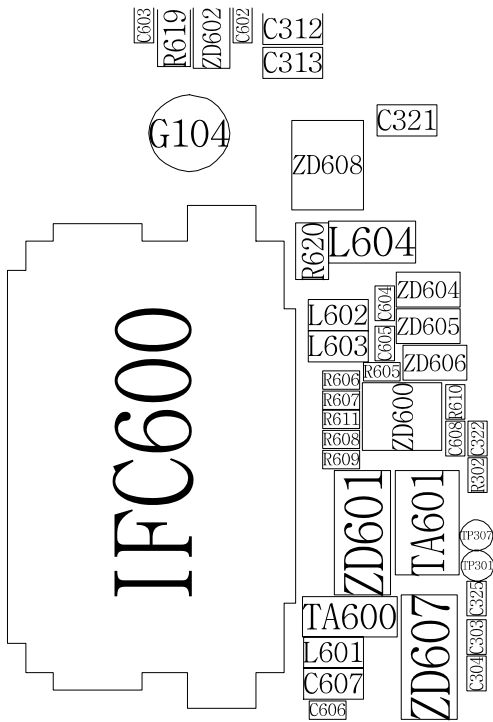
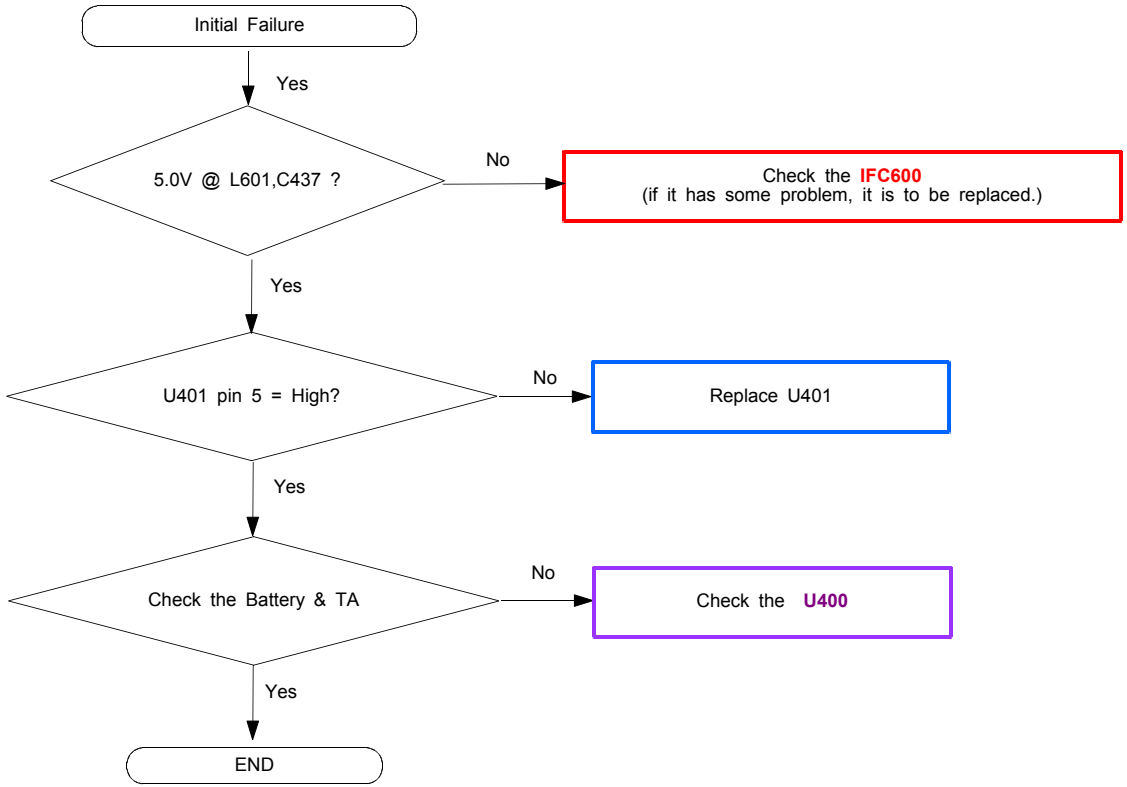


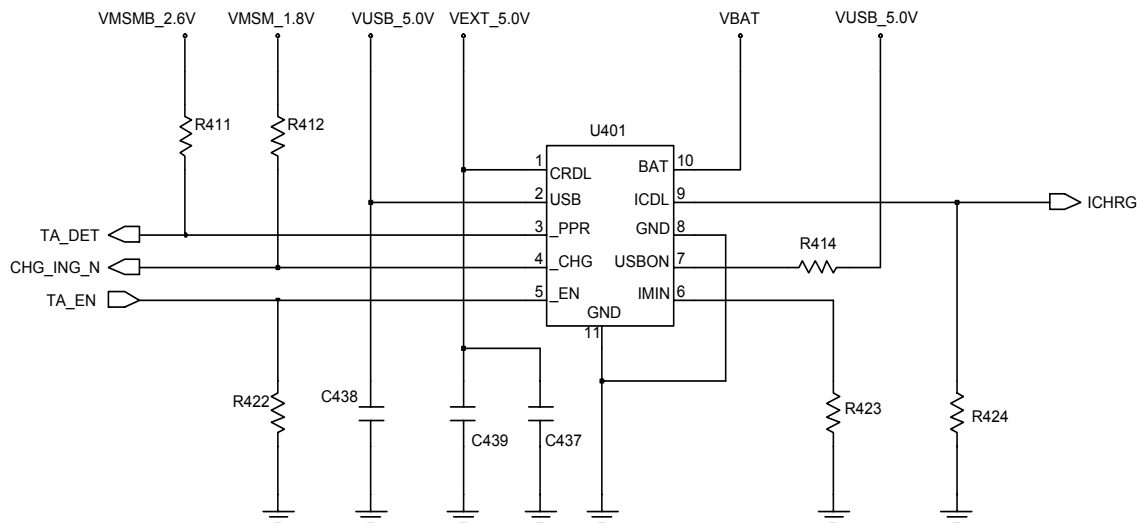
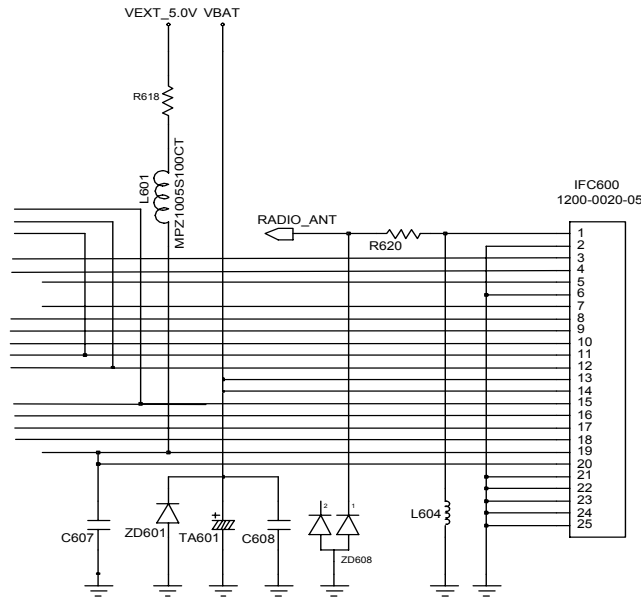
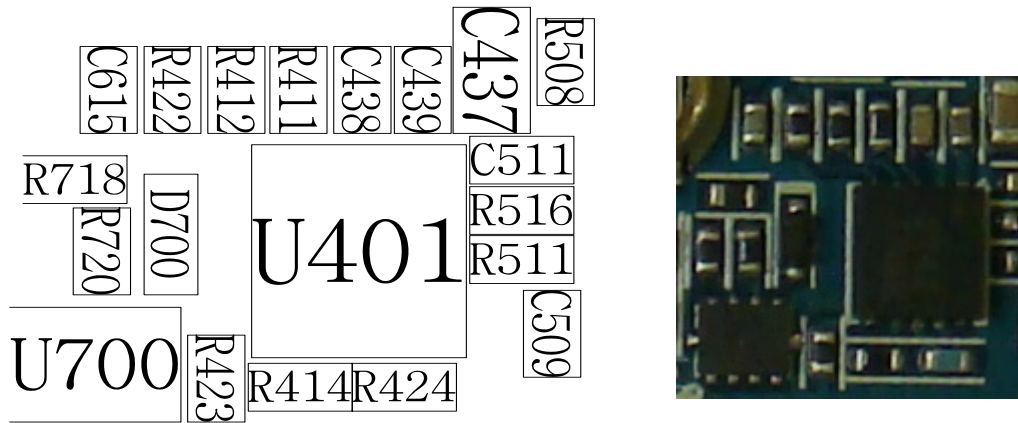


PMIC & CHARGER PART

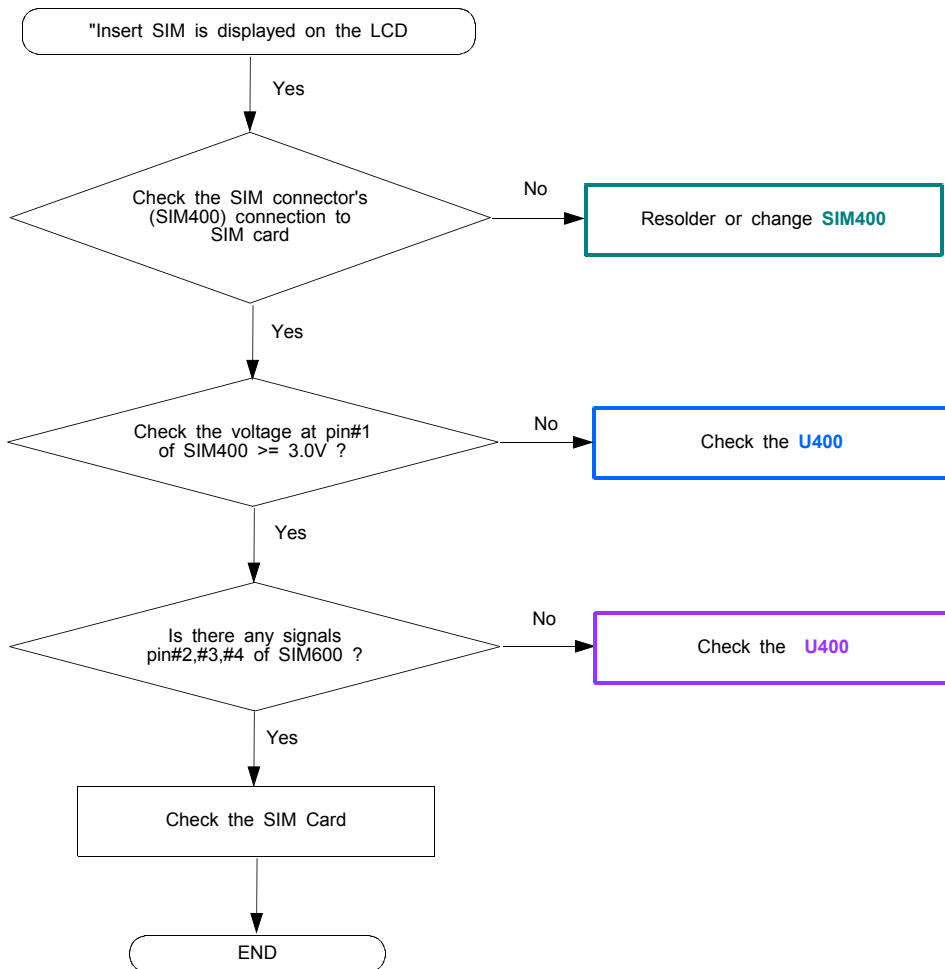


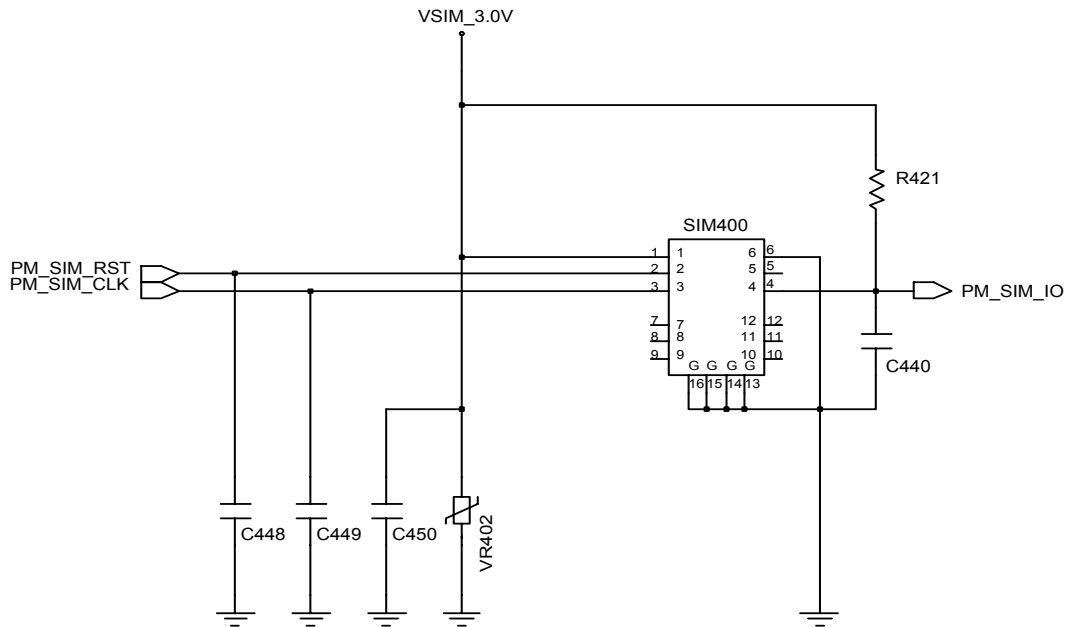
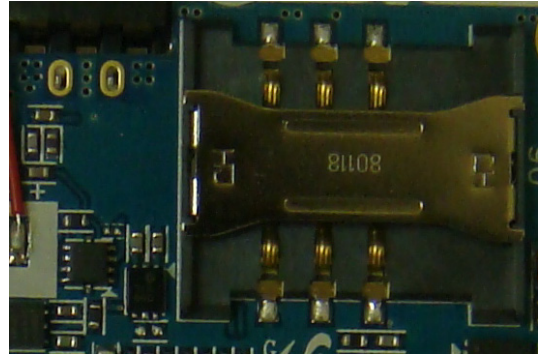
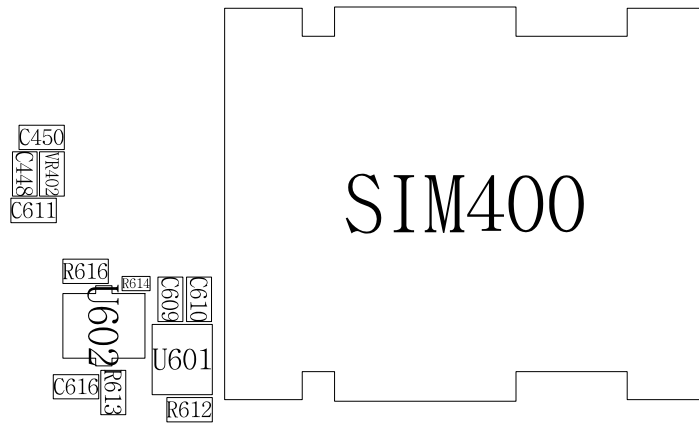
10-1-2. Charging Part



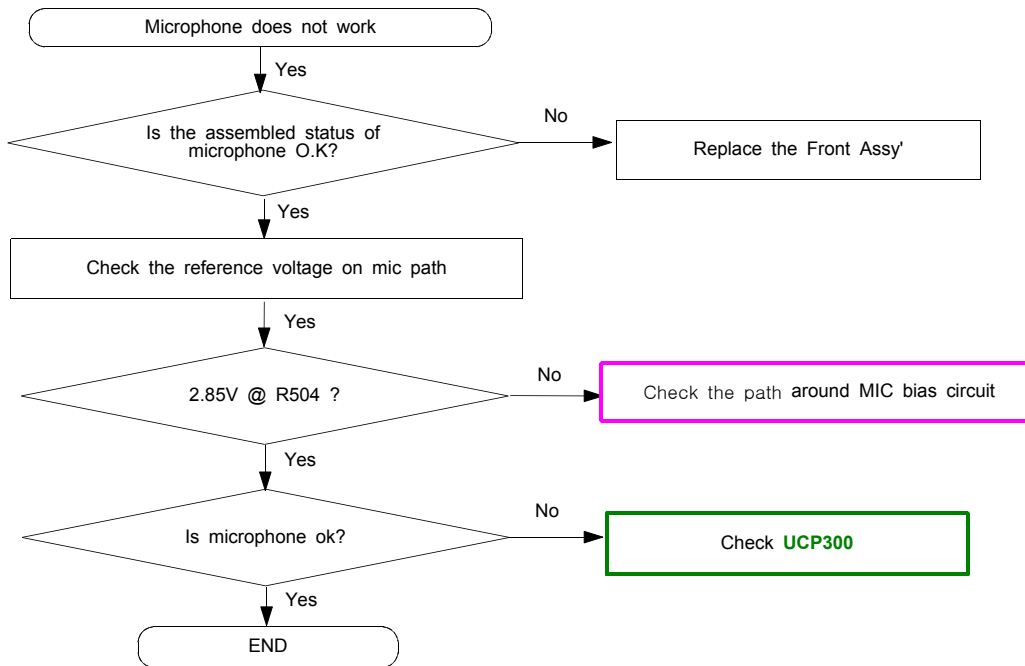


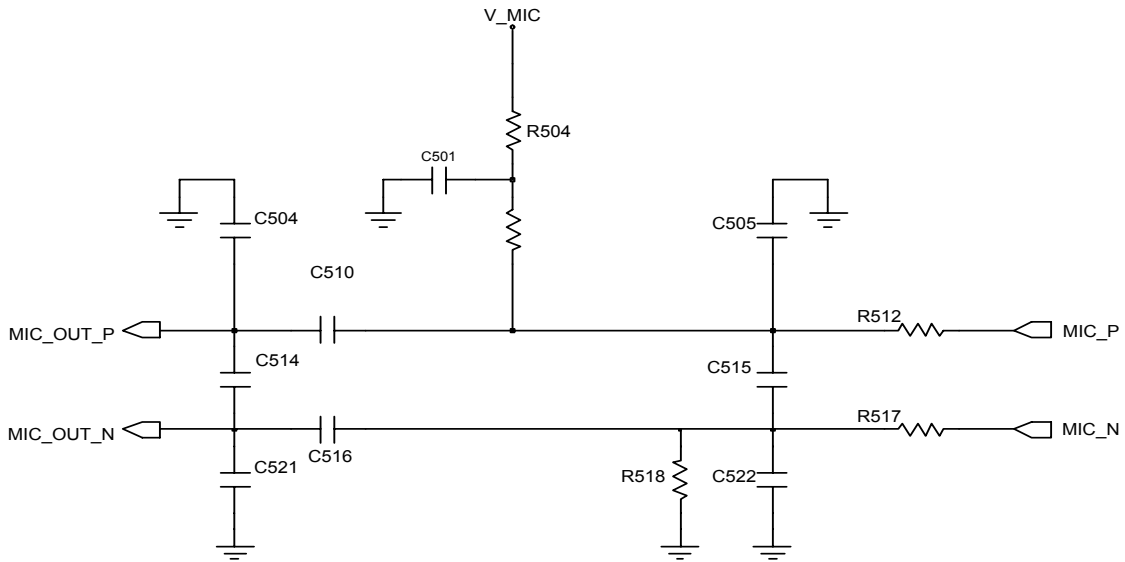
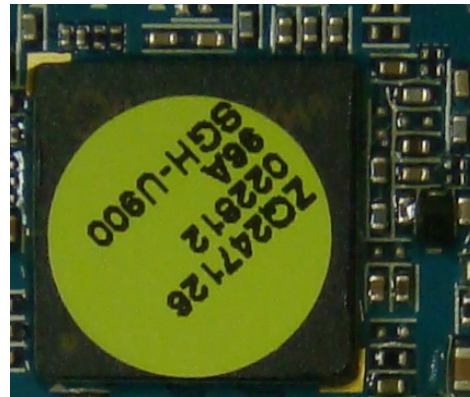
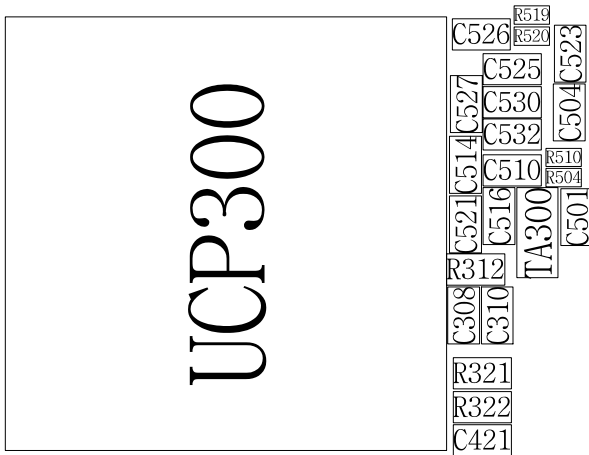
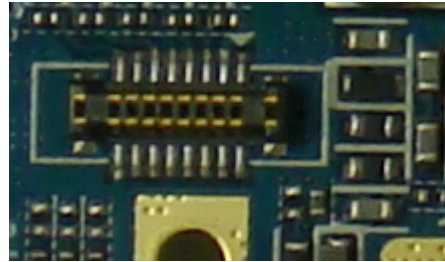
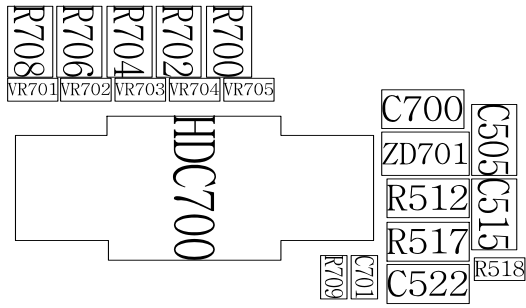
10-1-3. Sim Part



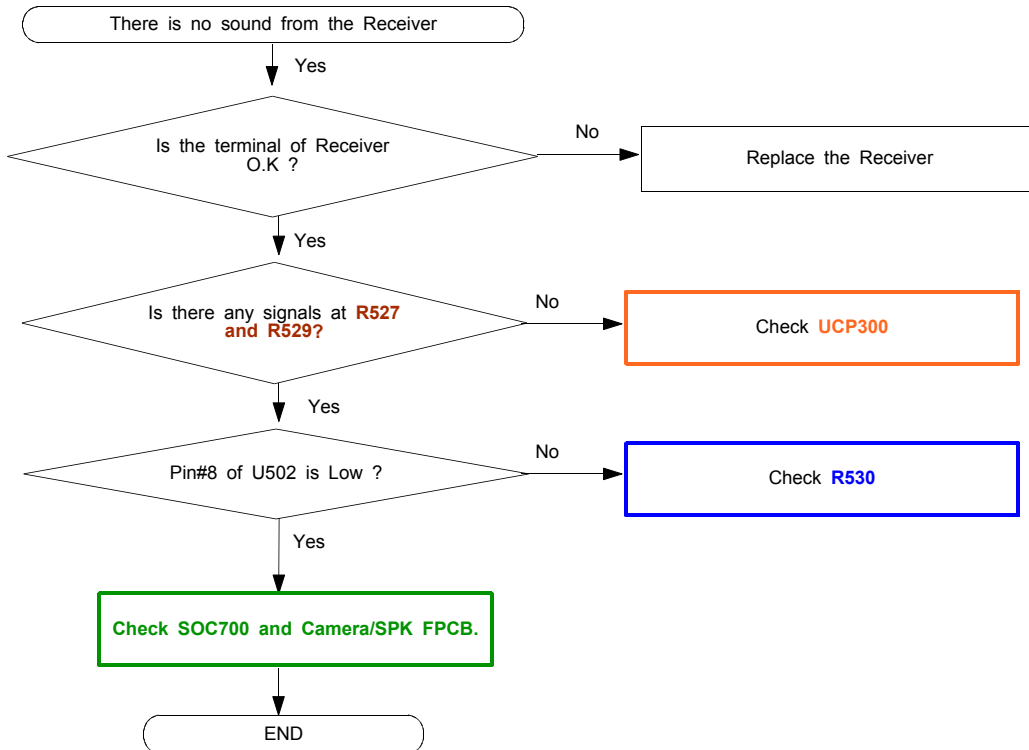


10-1-4. Microphone Part

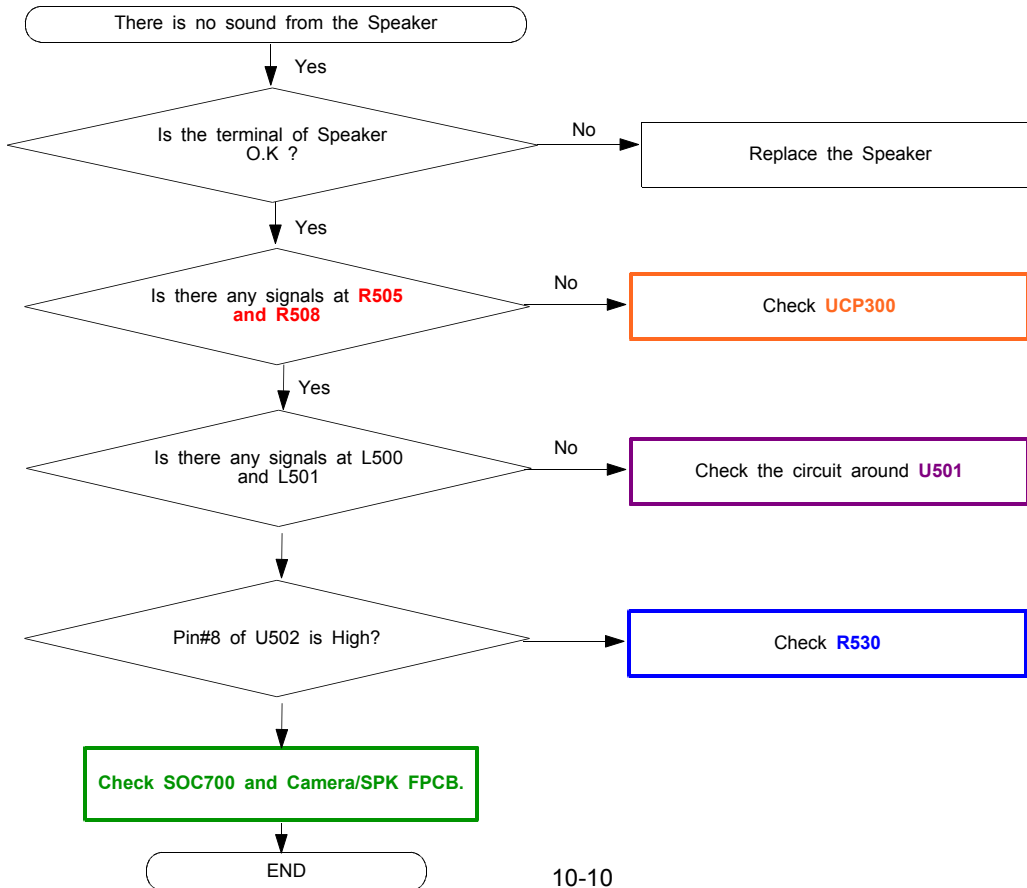


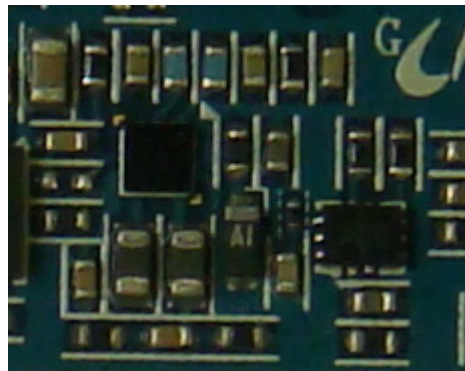
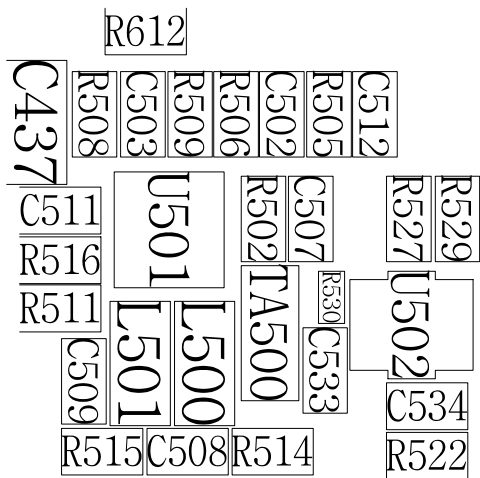
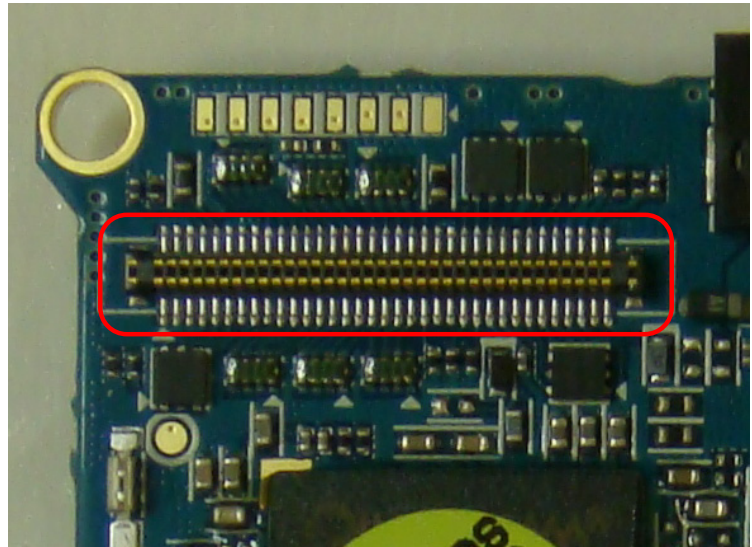
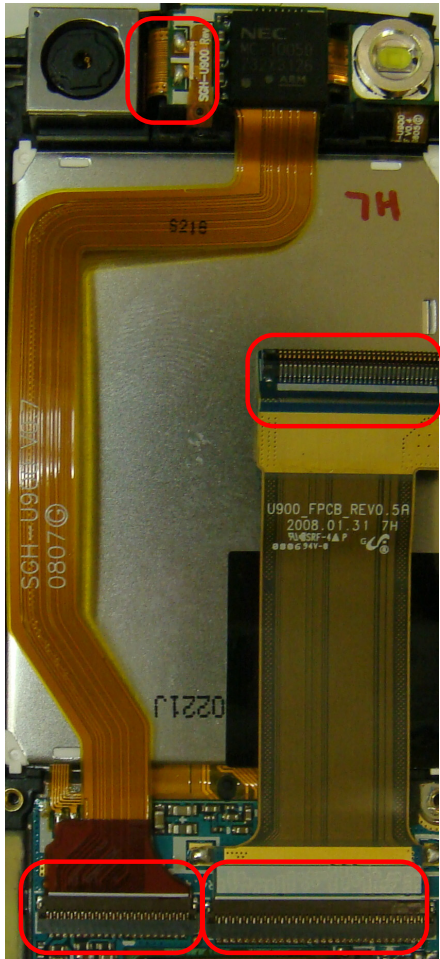


10-1-5. Receiver Part

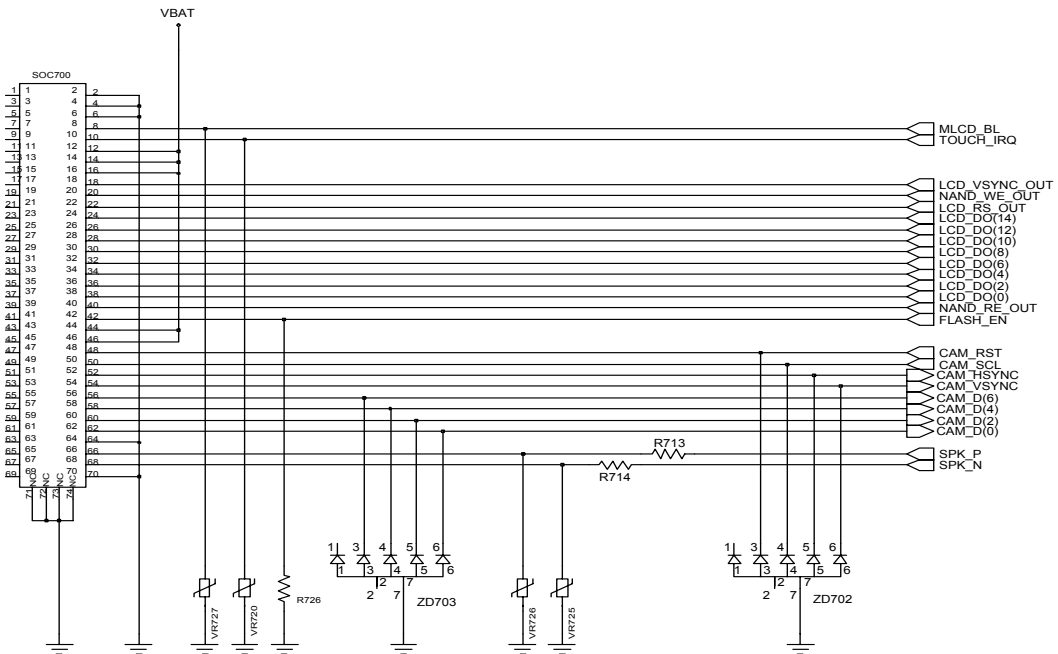
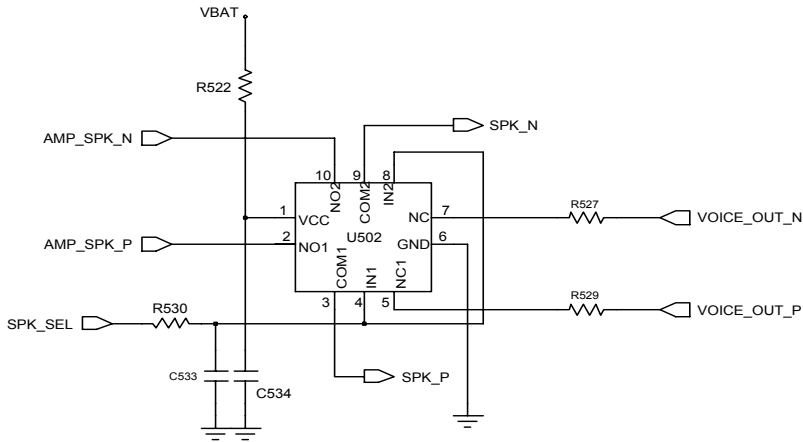
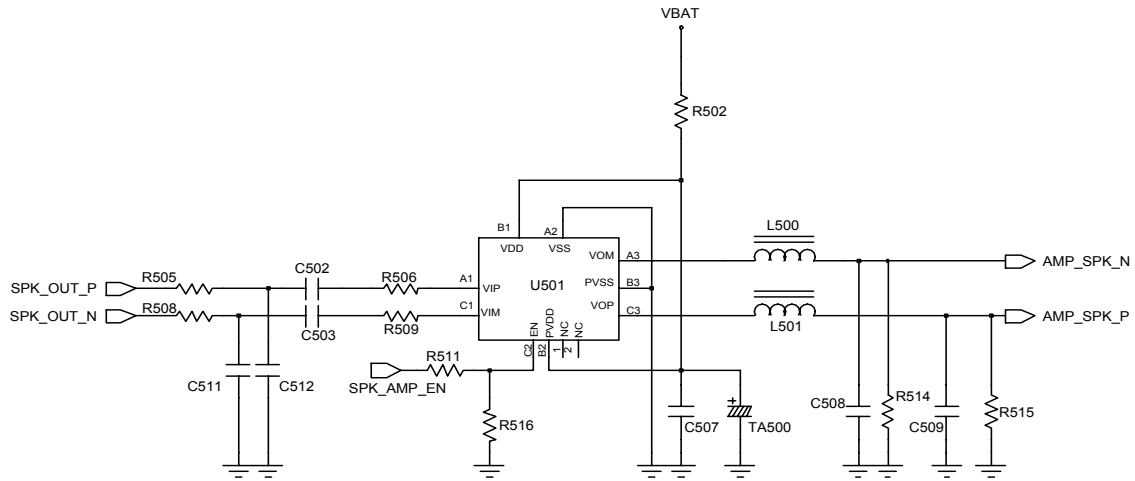


10-1-6. Speaker Part

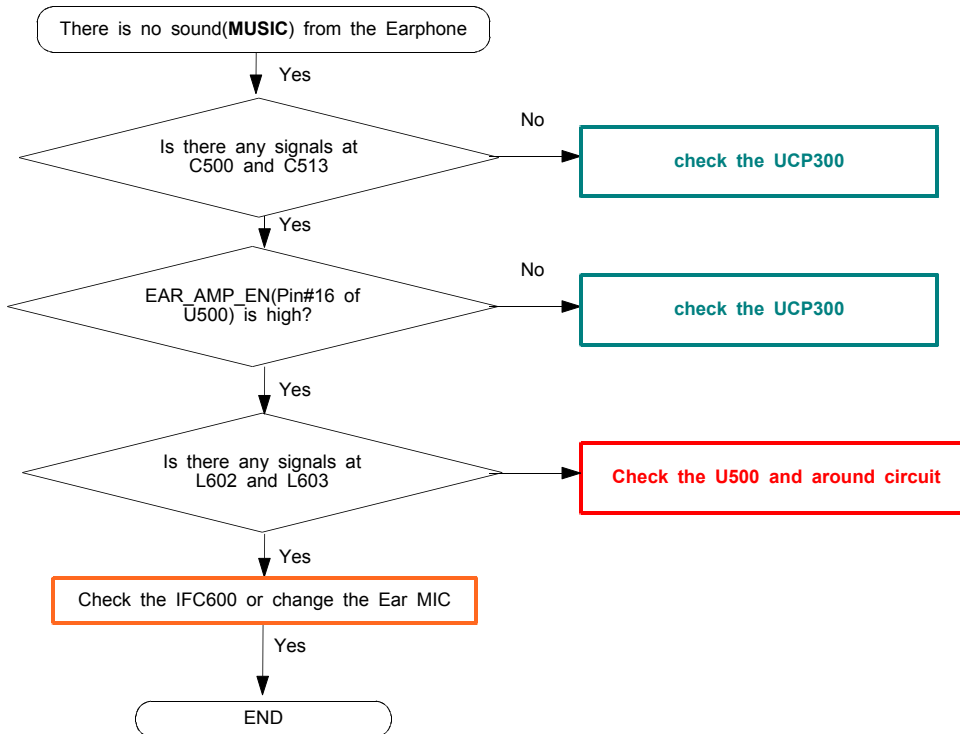
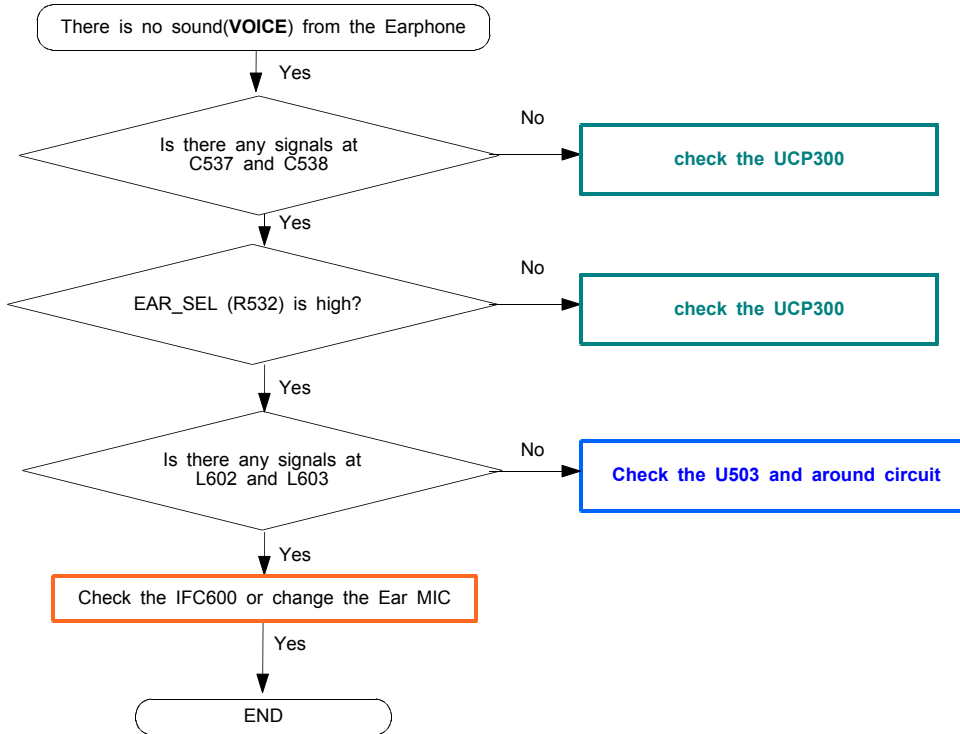


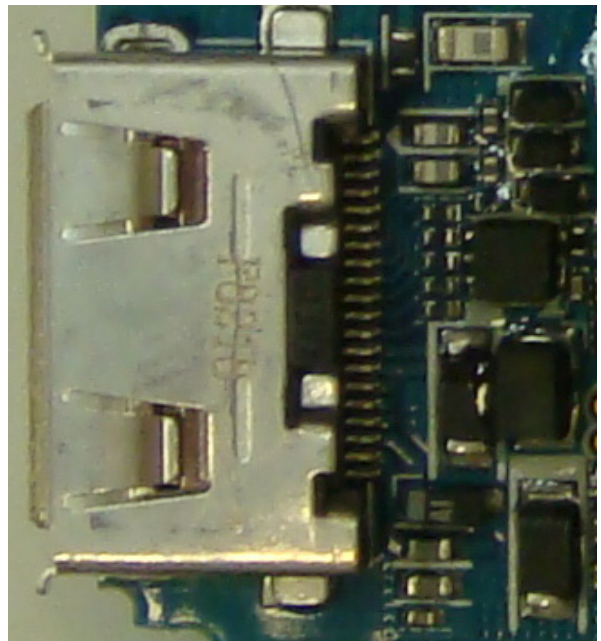
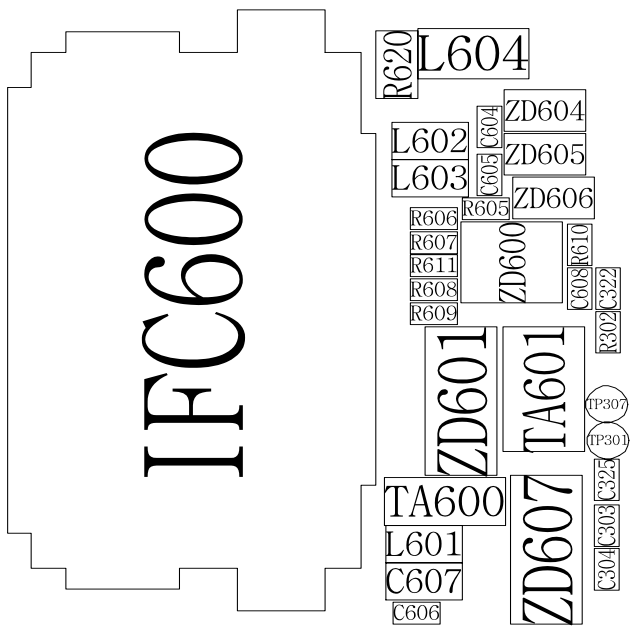
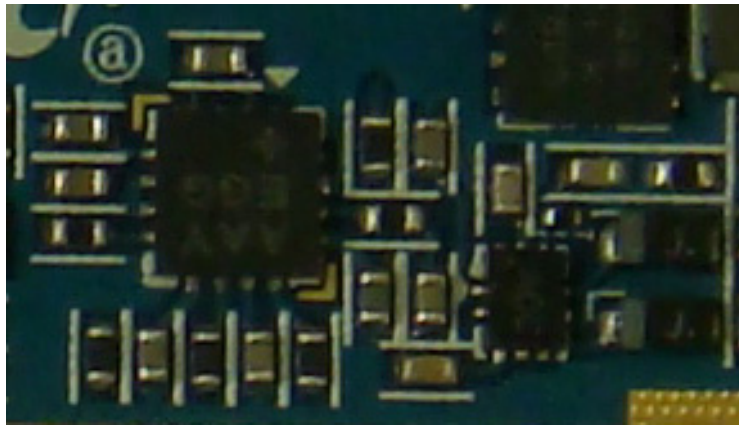
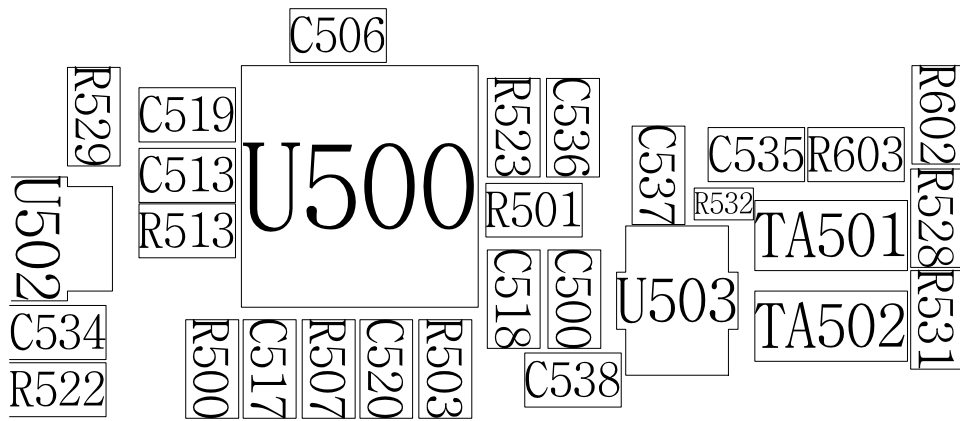


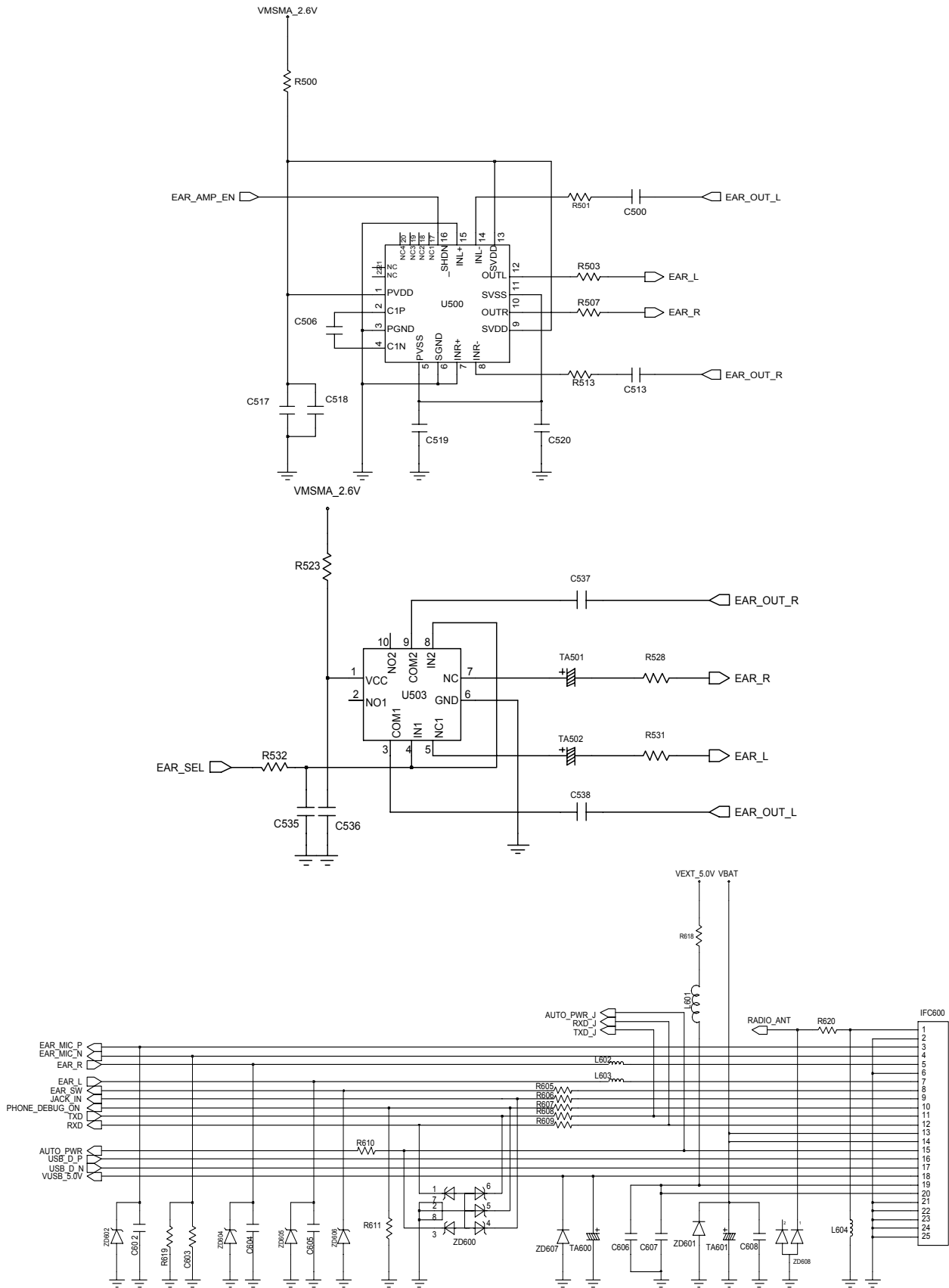
Flow Chart of Troubleshooting



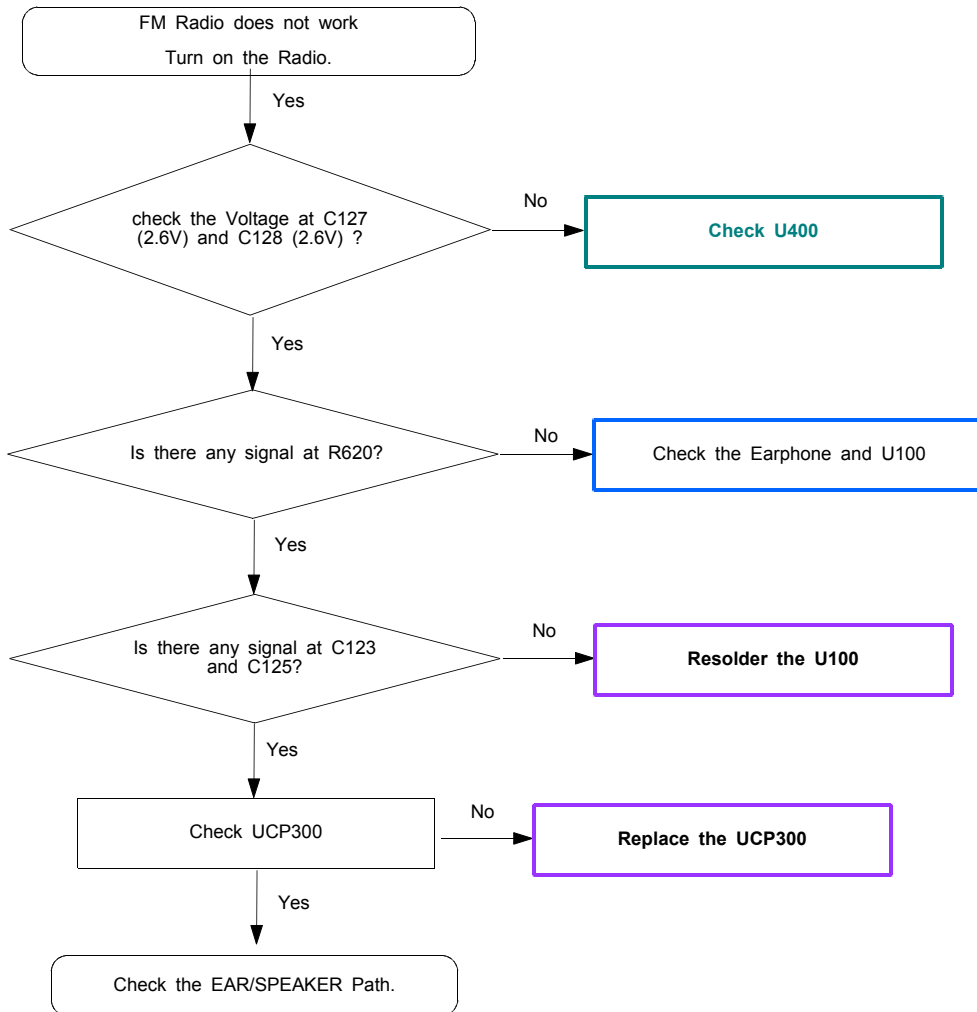
10-1-7. EARPHONE Part

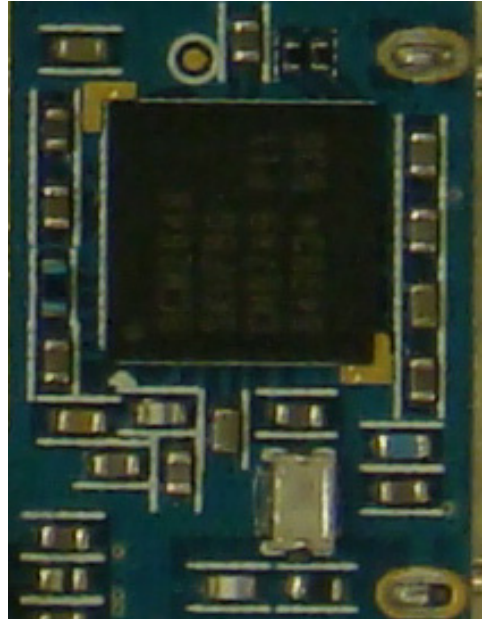
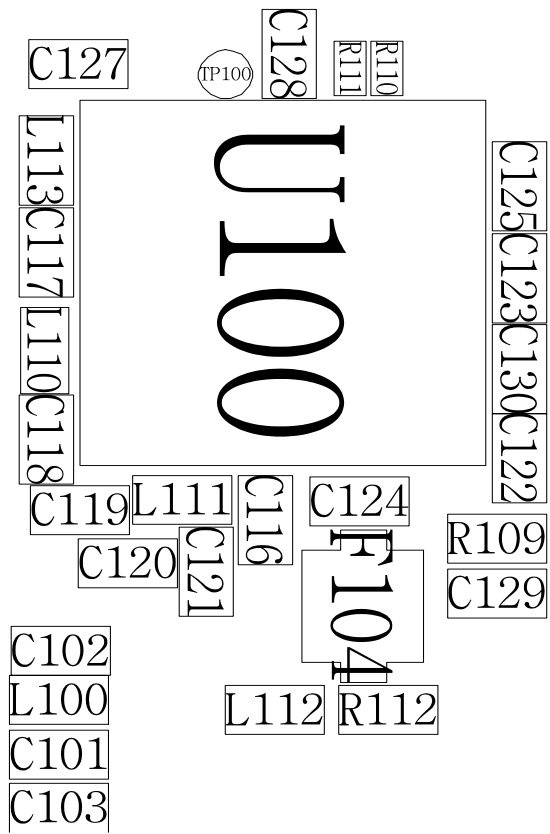


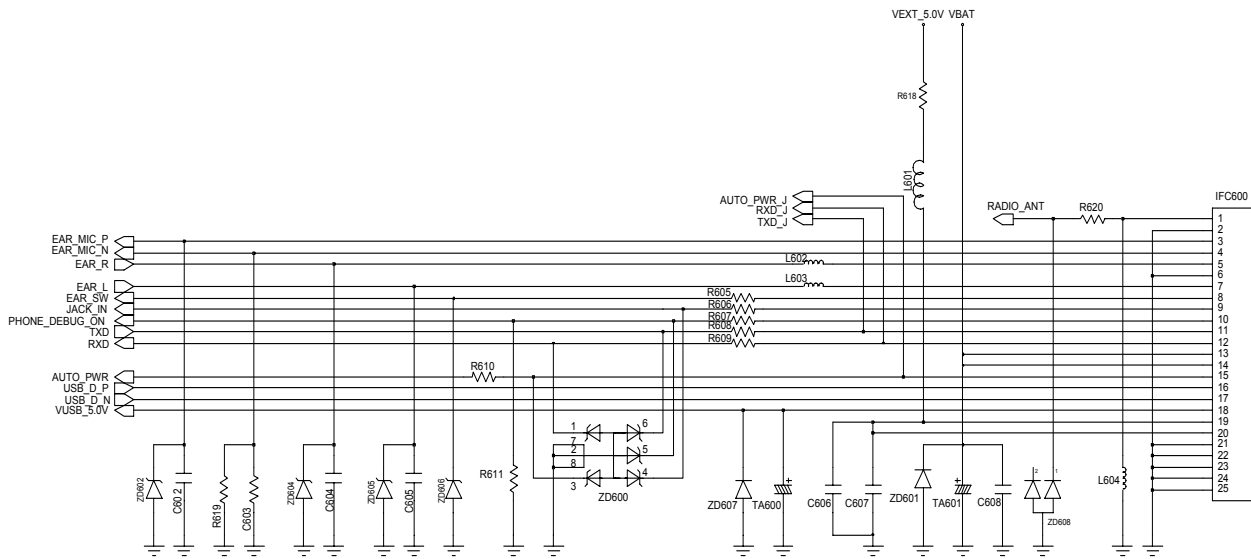
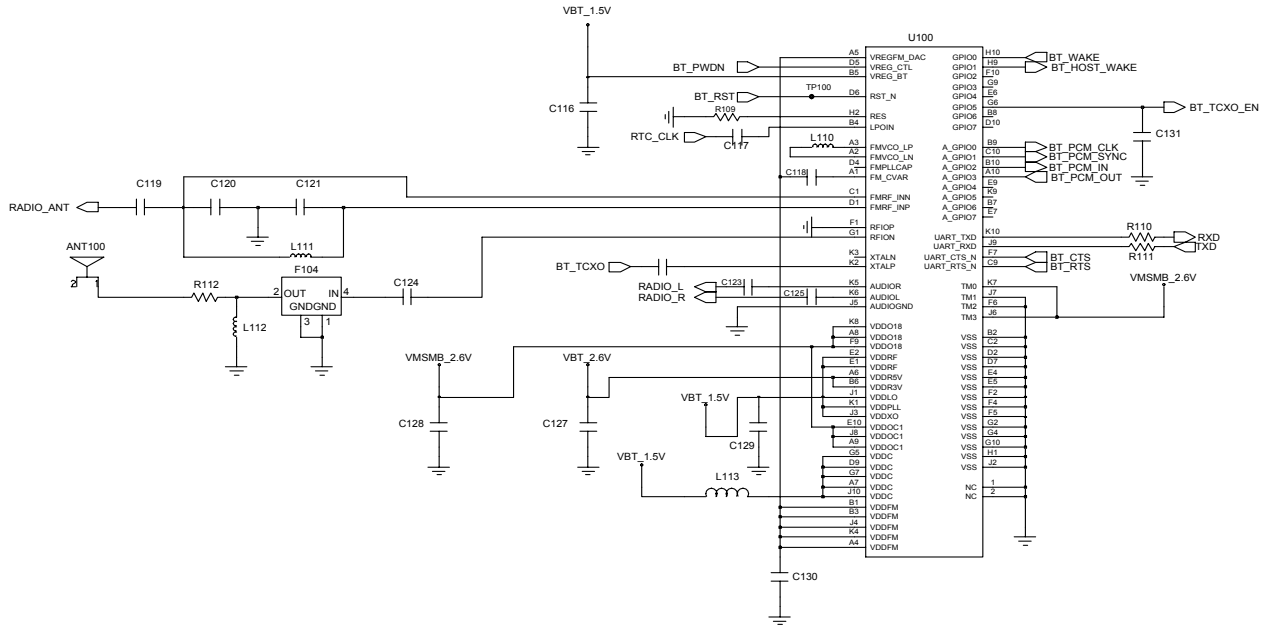




10-1-8. FM RADIO Part

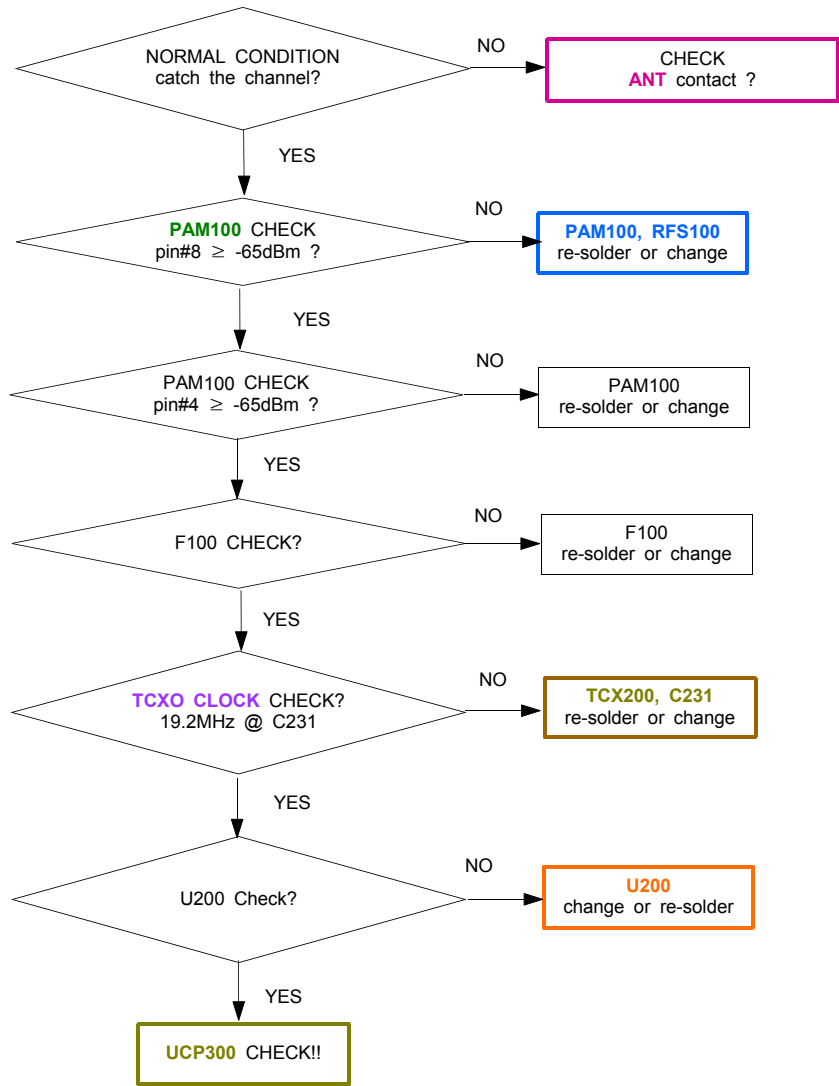






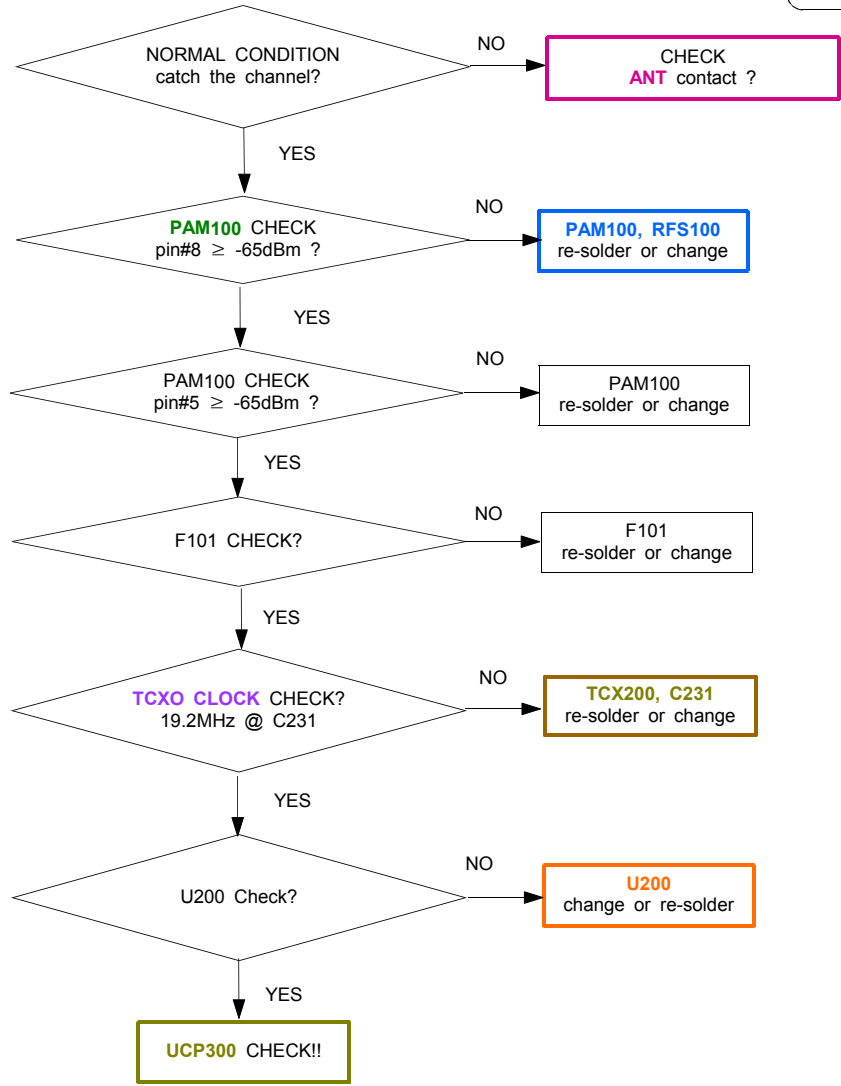
10-2-1. EGSM900 RX

Band : EGSM
CELL POWER : -50dBm
Channel : 62Ch



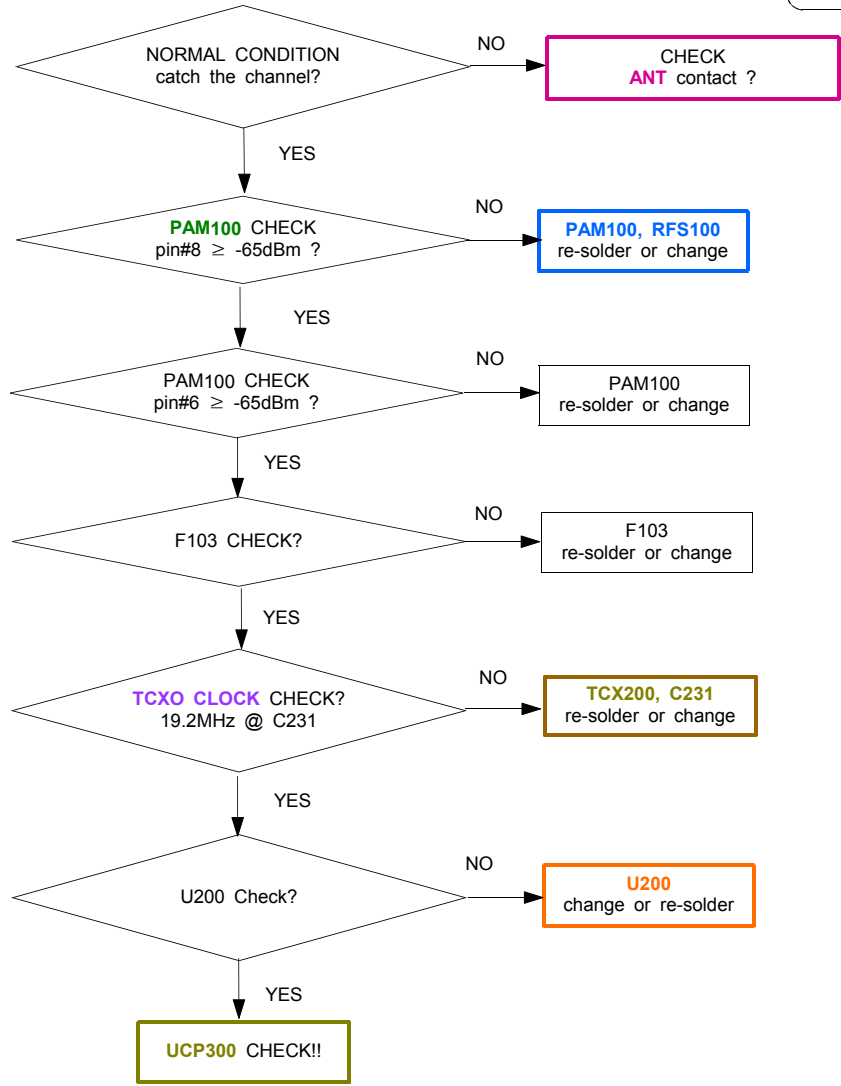
10-2-2. DCS1800 RX

Band : DCS
 CELL POWER : -50dBm
 Channel : 698Ch



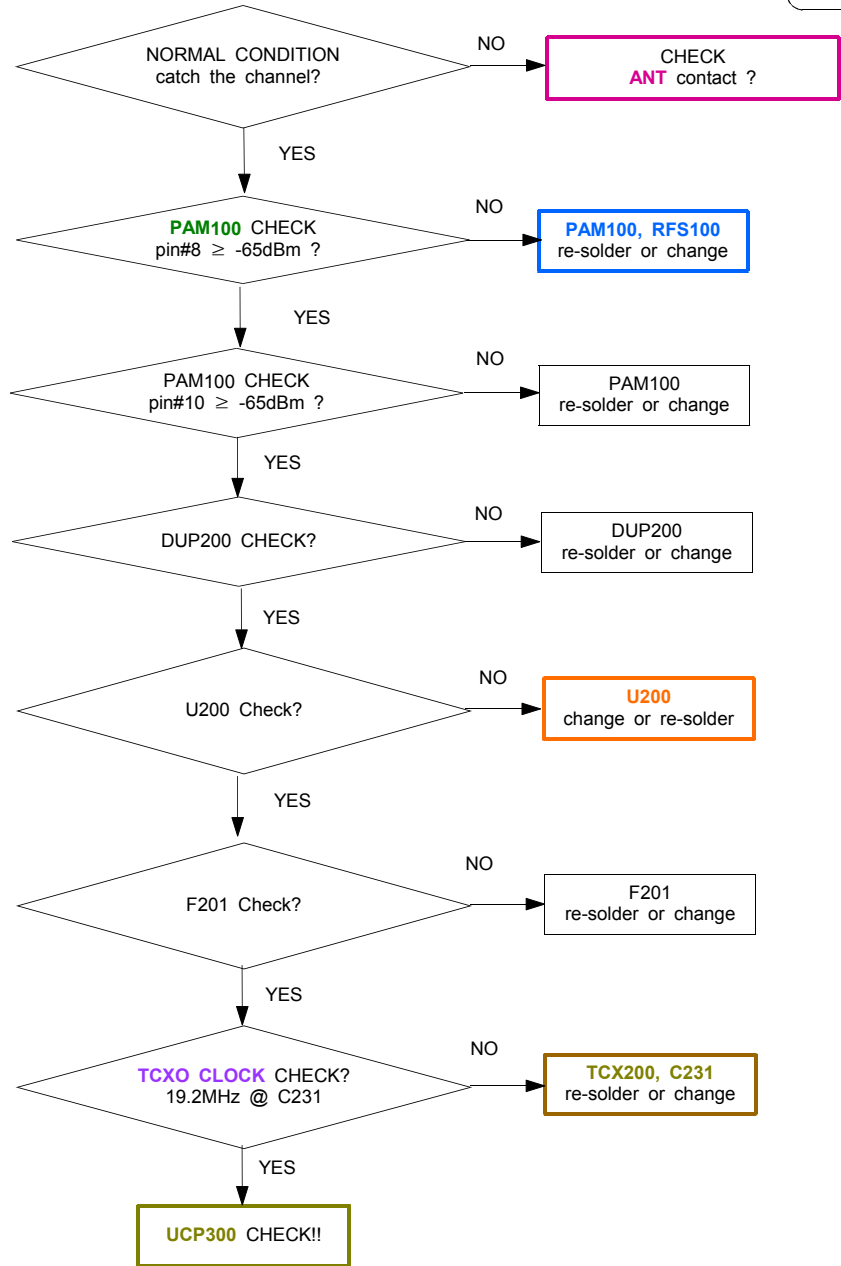
10-2-3. PCS1900 RX

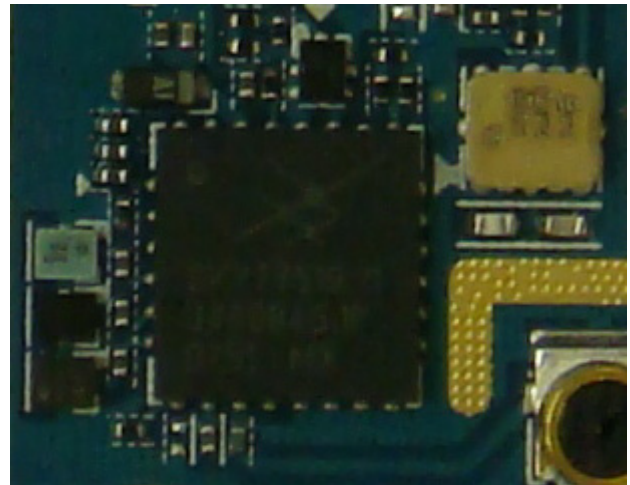
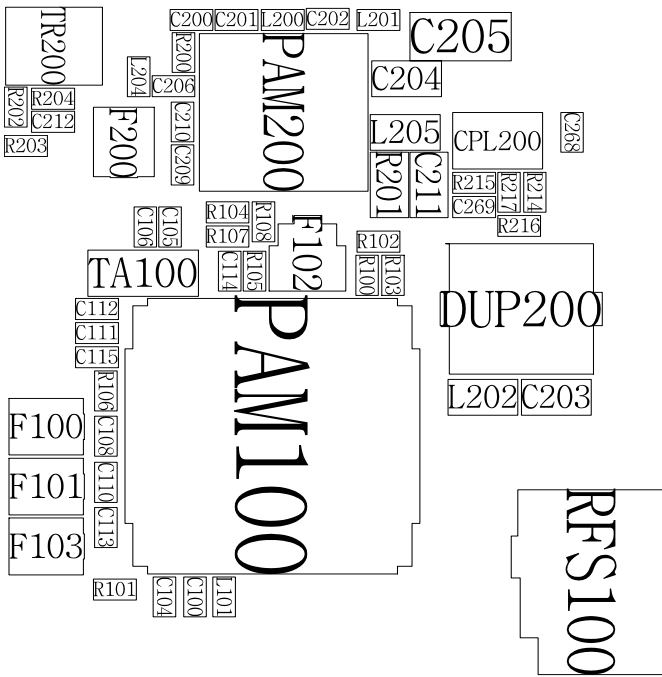
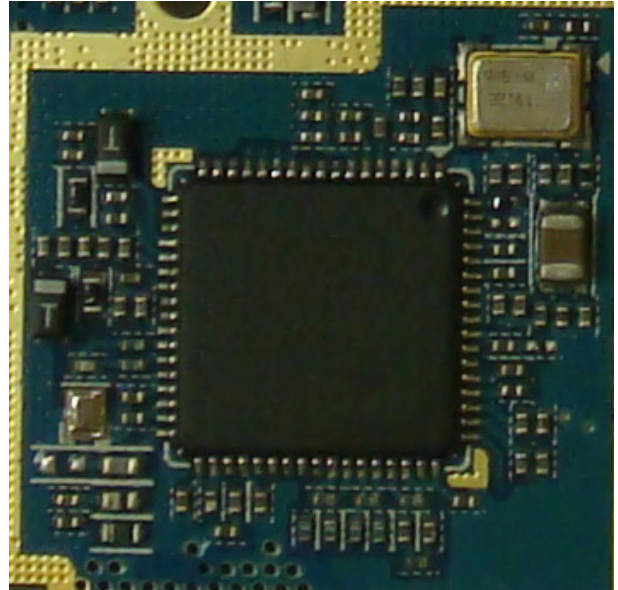
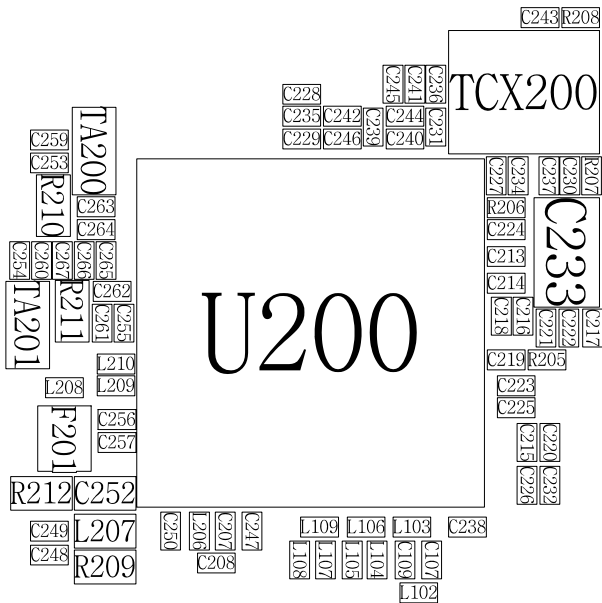
Band : PCS
CELL POWER : -50dBm
Channel : 661Ch

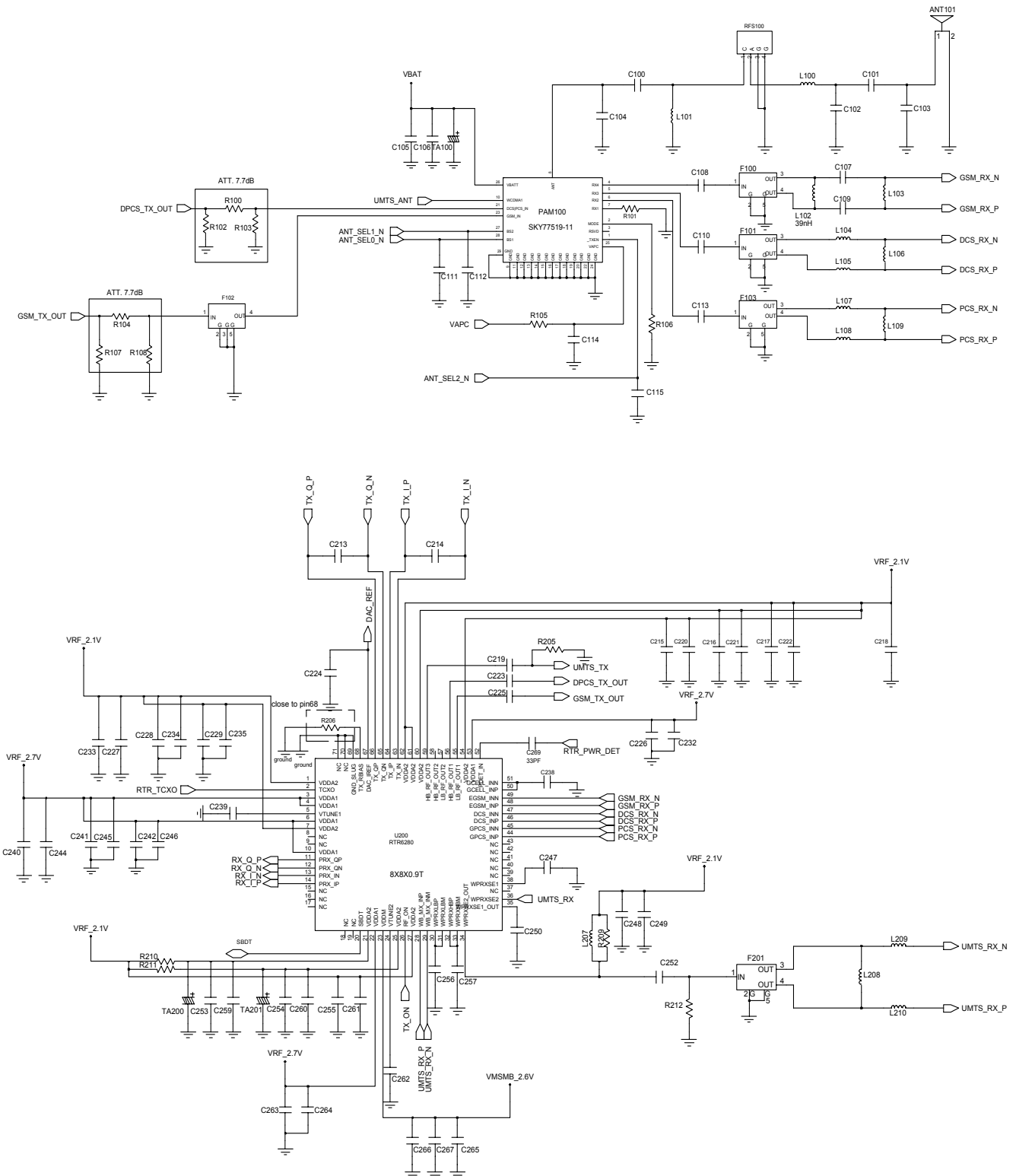


10-2-4. WCDMA2100 RX

Band : WCDMA
 CELL POWER : -50dBm
 DL Channel : 10700Ch
 UL Channel : 9750Ch

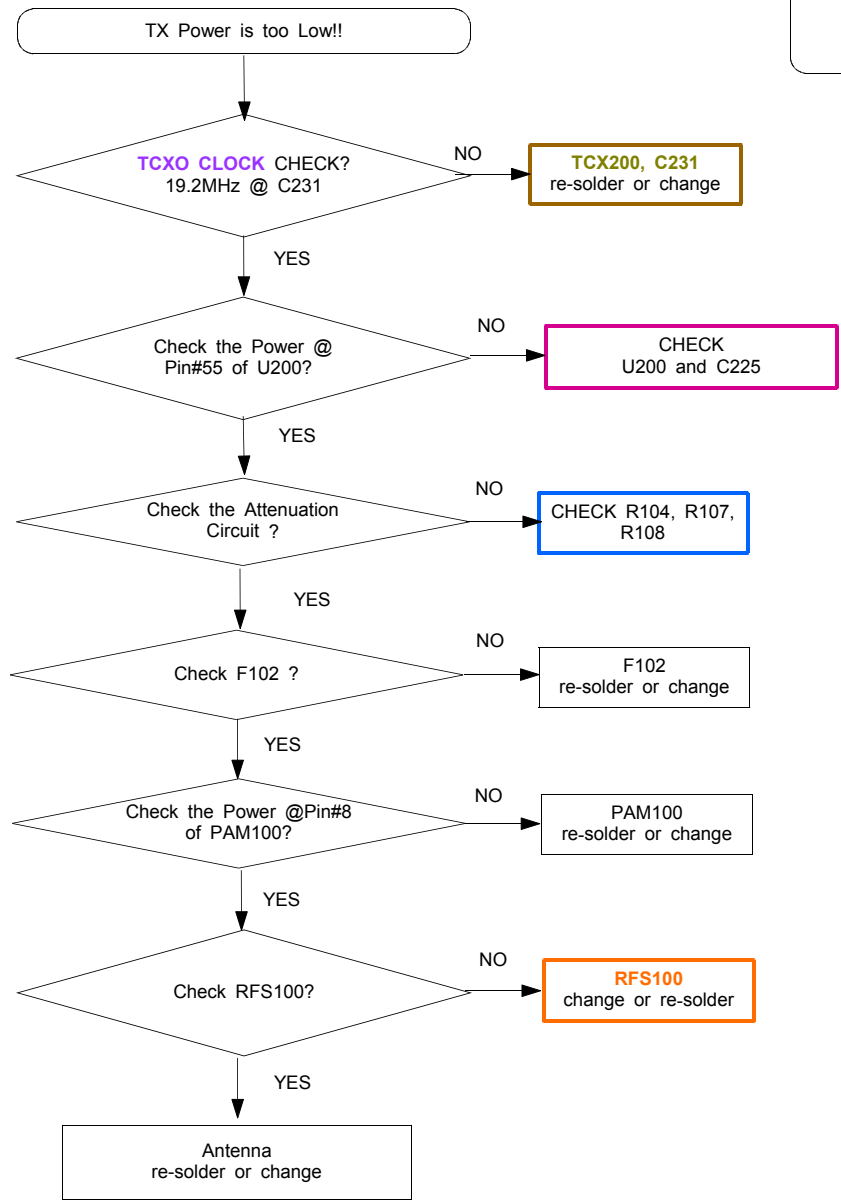




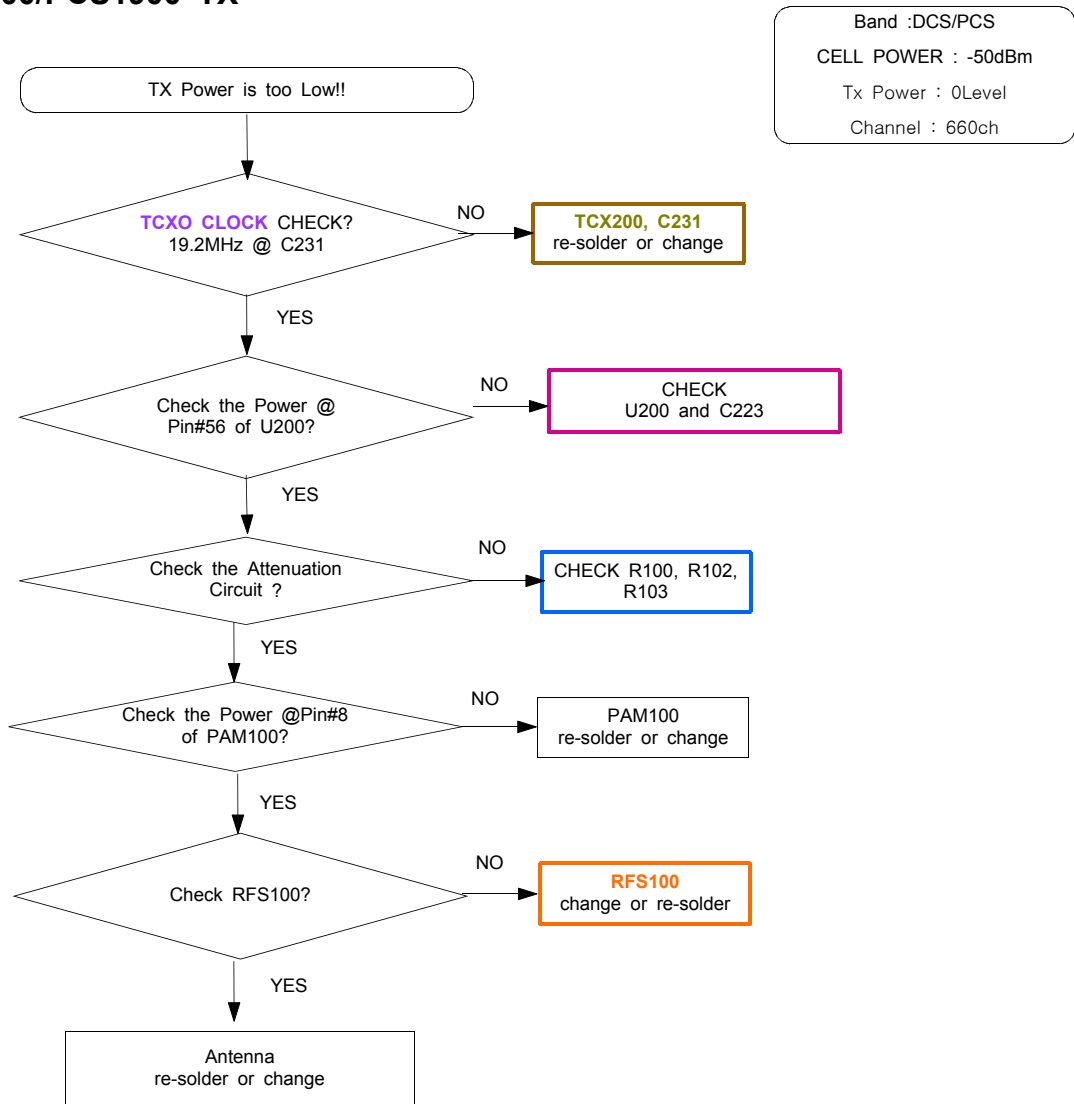


10-2-5. EGSM900 TX

Band :GSM
 CELL POWER : -50dBm
 Tx Power : 5Level
 Channel : 62ch

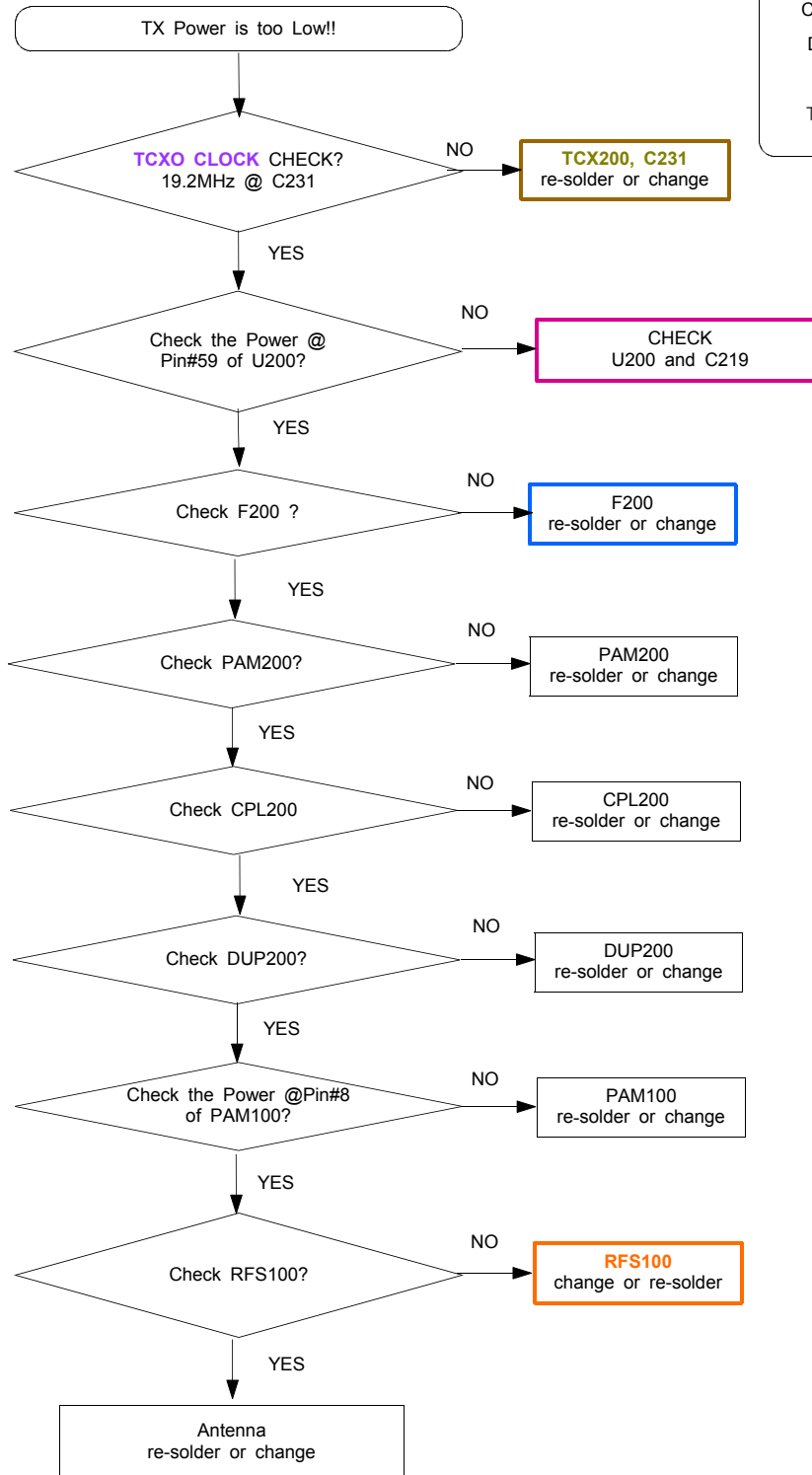


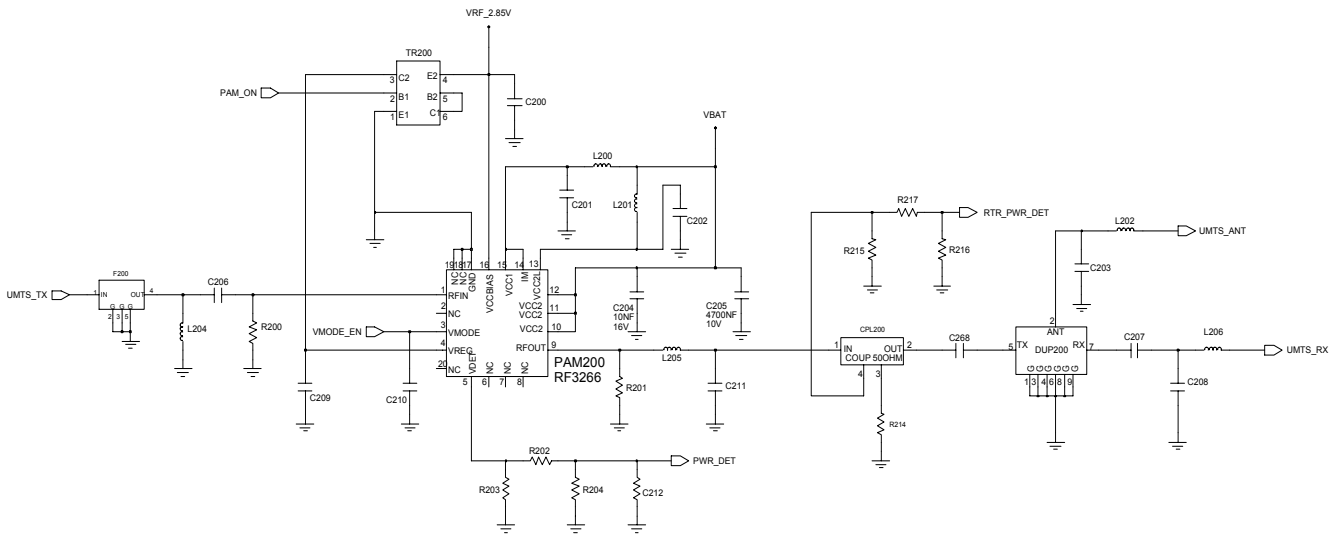
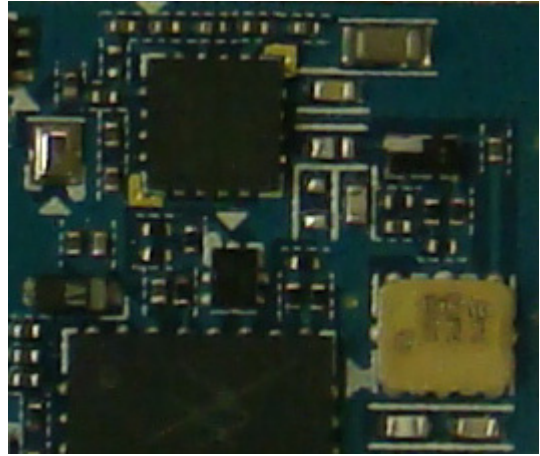
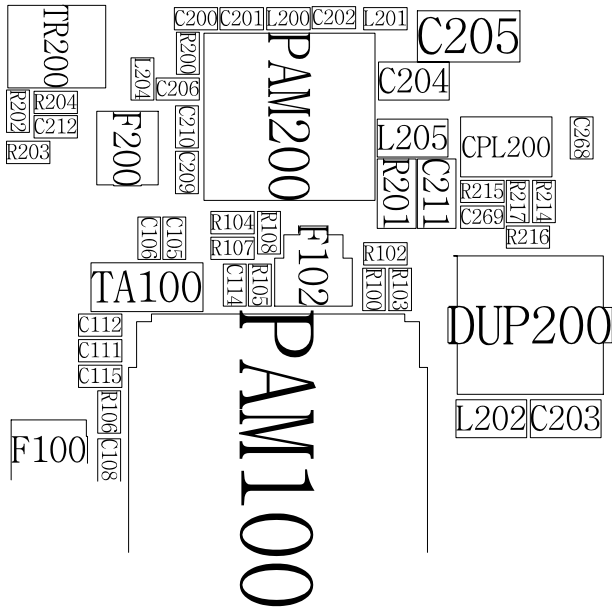
10-2-6. DCS1800/PCS1900 TX



10-2-7. WCDMA2100 TX

Band :WCDMA
 CELL POWER : -50dBm
 DL Channel : 10700Ch
 UL Channel : 9750Ch
 Target Power : 24dBm





10-2-8. Bluetooth Part

