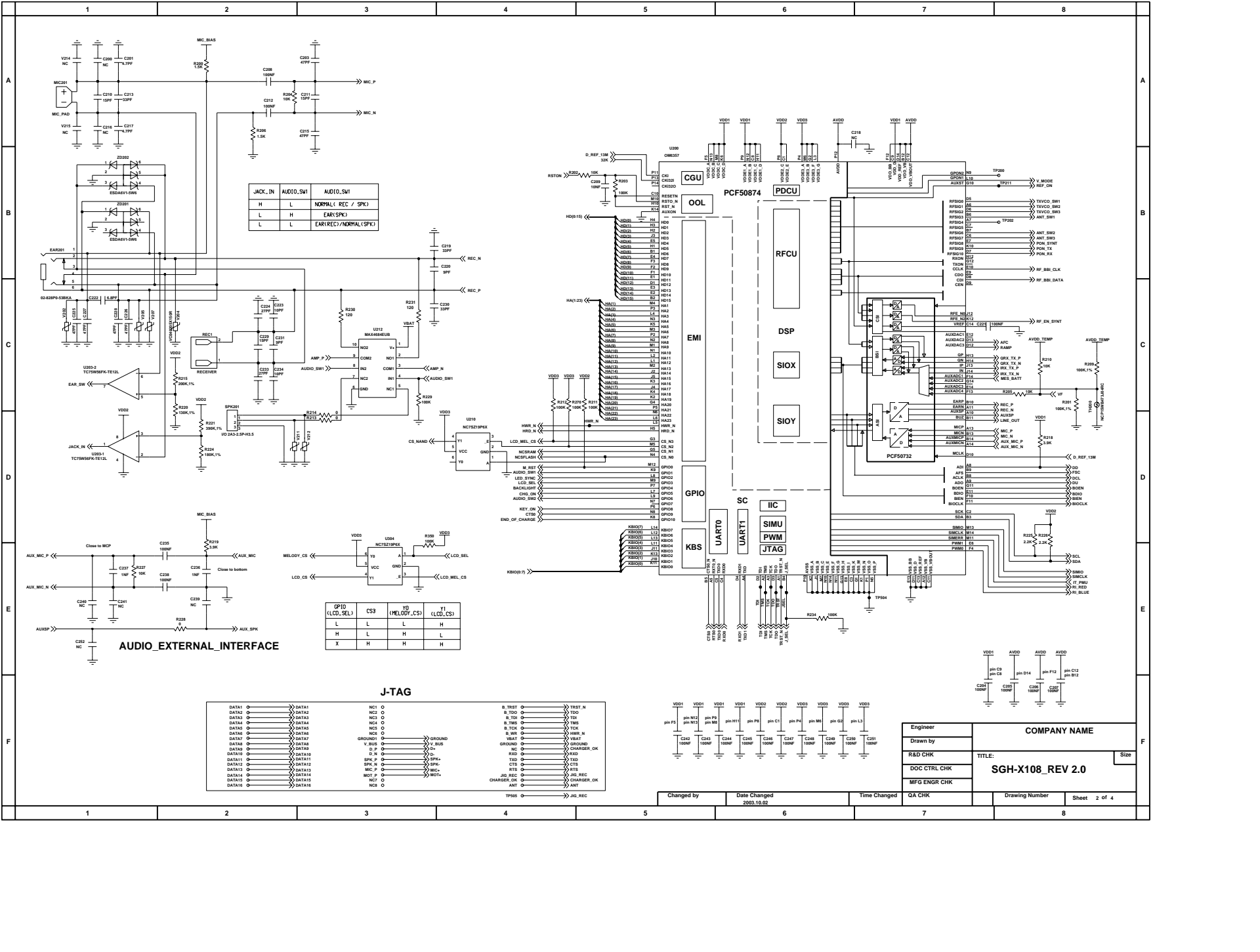


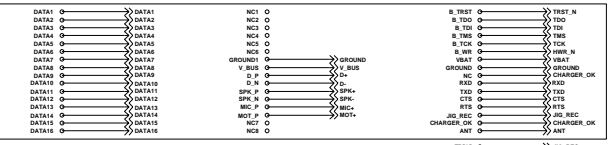
	VC(VC_DCS)	VC2(VC_PCS)	VC3(VC_EGSM)
EGSM_TX	1	0	0
DCS/PCS_TX	0	1	0
EGSM/DCS_RX	0	0	0
PCS_RX	0	0	1



JACK_IN	AUDIO_SW1	AUDIO_SW1
H	L	NORMAL (REC / SPK)
L	H	EAR(SPK)
L	L	EAR(REC)/NORMAL(SPK)

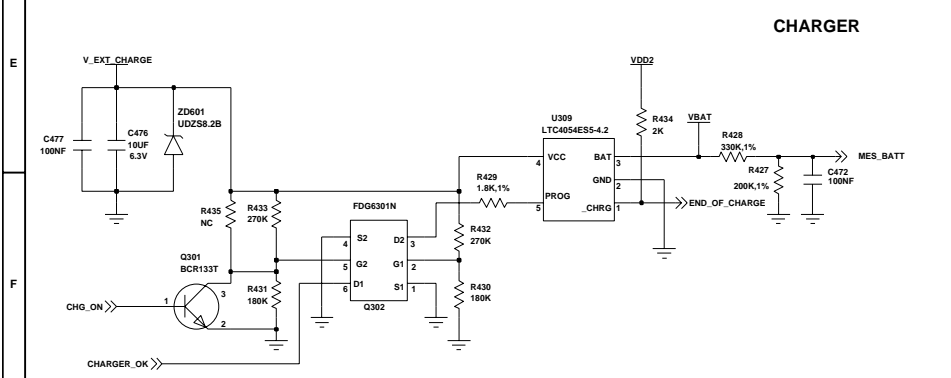
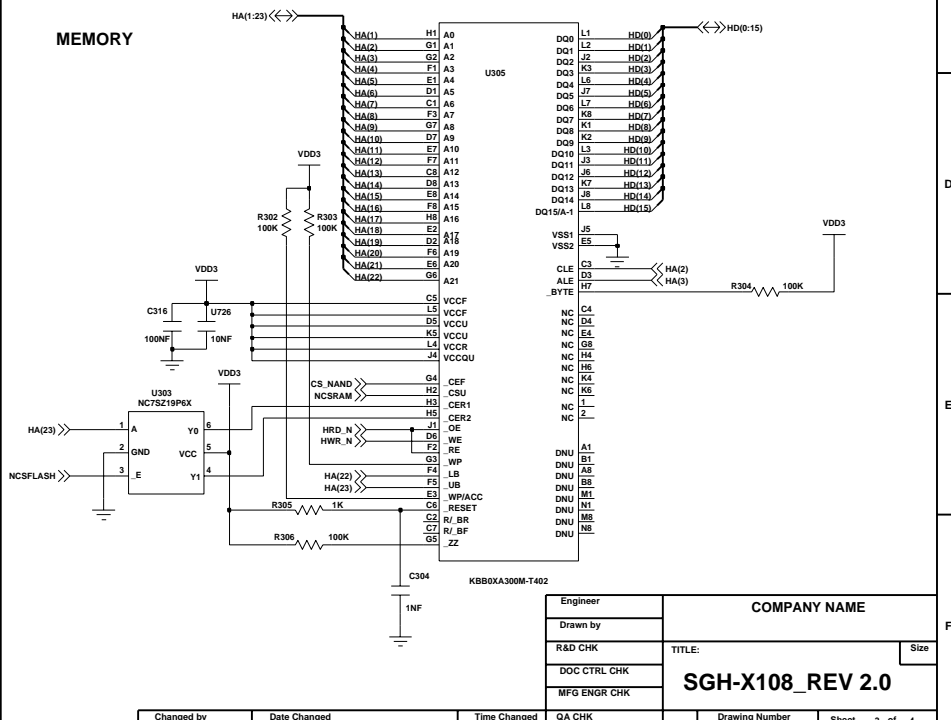
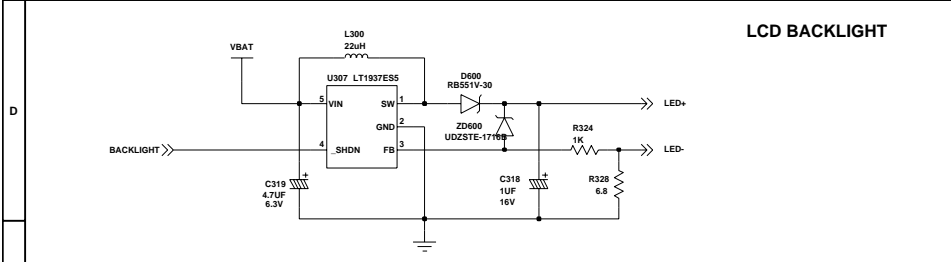
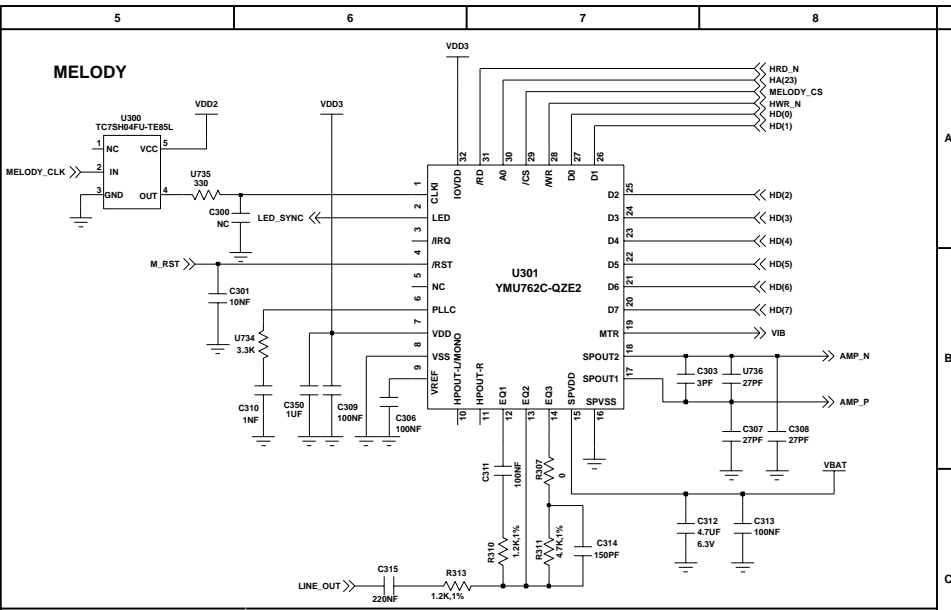
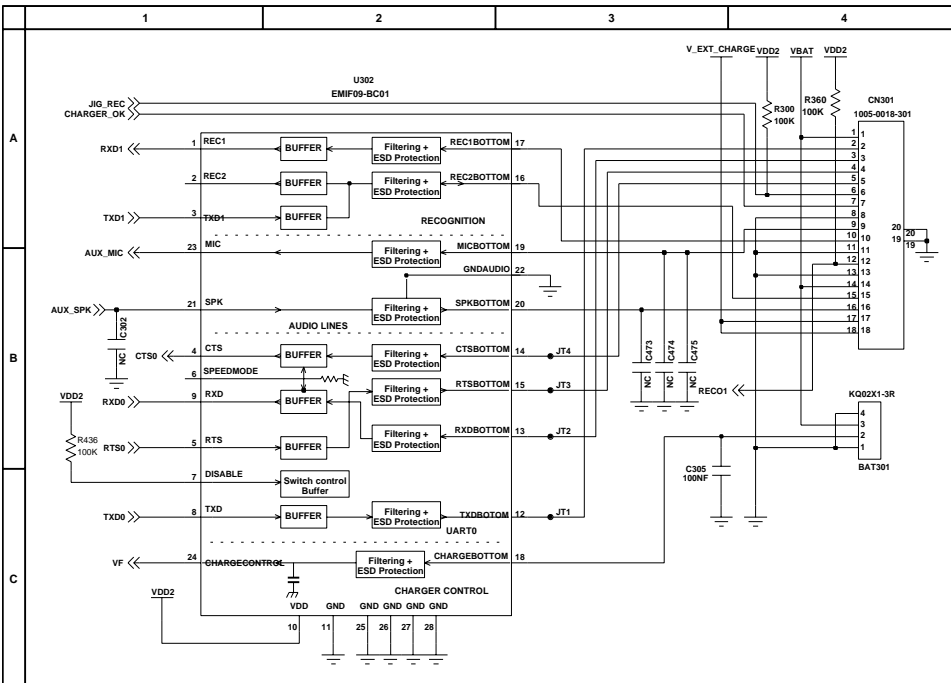
GPIO (LCO_SEL)	CS3	Y0 (MELODY_CS)	Y1 (LCO_CS)
L	L	L	H
H	L	L	L
X	H	H	L

J-TAG

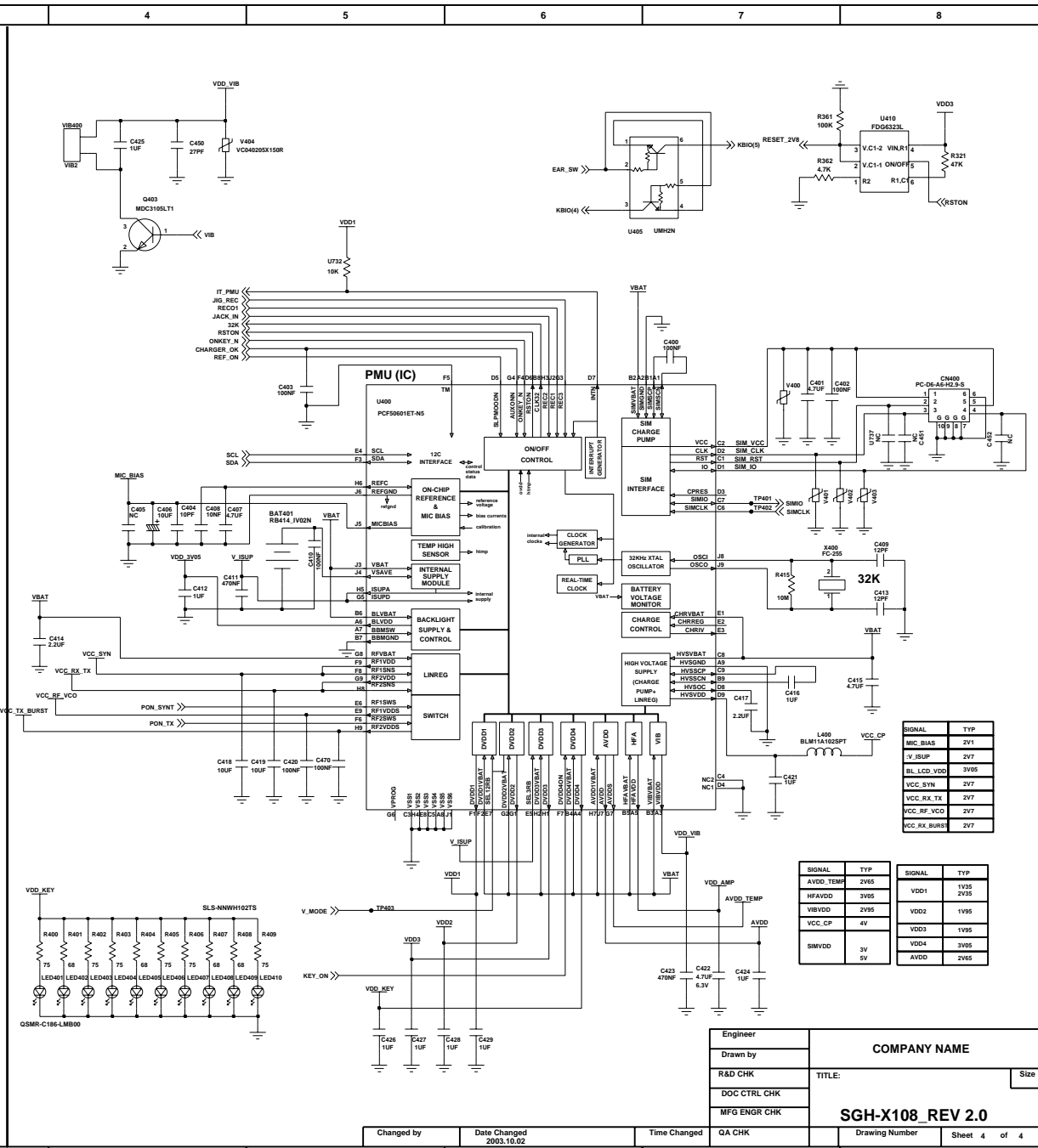
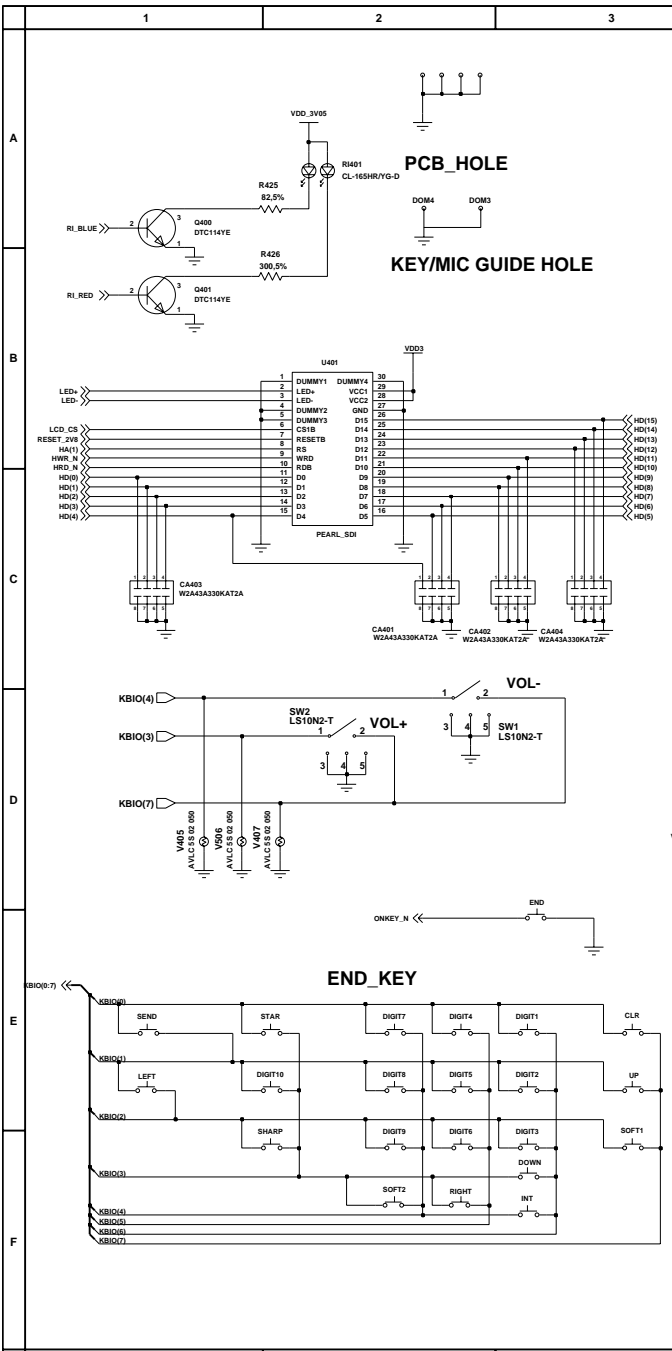


Engineer	COMPANY NAME	
Drawn by	TITLE: SGH-X108_REV 2.0	Size
R&D CHK		
DOC CTRL CHK		
MFG ENGR CHK		
QA CHK	Drawing Number	Sheet 2 of 4

Changed by	Date Changed	Time Changed
	2003.10.02	



Engineer	COMPANY NAME	
Drawn by	TITLE: SGH-X108_REV 2.0	Size
R&D CHK		
DOC CTRL CHK		
MFG ENGR CHK		
Changed by	Date Changed 2003.10.02	Time Changed
QA CHK	Drawing Number	Sheet 3 of 4



SIGNAL	TYP
MIC_BIAS	2V1
V_IBUP	2V7
BL_LCD_VDD	3V05
VCC_SYN	2V7
VCC_RX_TX	2V7
VCC_RF_VCO	2V7
VCC_RX_BURST	2V7

SIGNAL	TYP
AVDD_TEMP	2V65
HFVDD	3V65
VIBVDD	2V65
VCC_CP	4V
SIMVDD	3V
VDD1	1V35
VDD2	1V95
VDD3	1V35
VDD4	3V65
AVDD	2V65

Engineer		COMPANY NAME
Drawn by		
R&D CHK		
DOC CTRL CHK		
MFG ENGR CHK		
TITLE:		Size
SGH-X108_REV 2.0		
Changed by	Date Changed	Time Changed
GA CHK	2003.10.02	
Drawing Number	Sheet	4 of 4

