



Part List, Mechanical

Applicable for K320 and W200

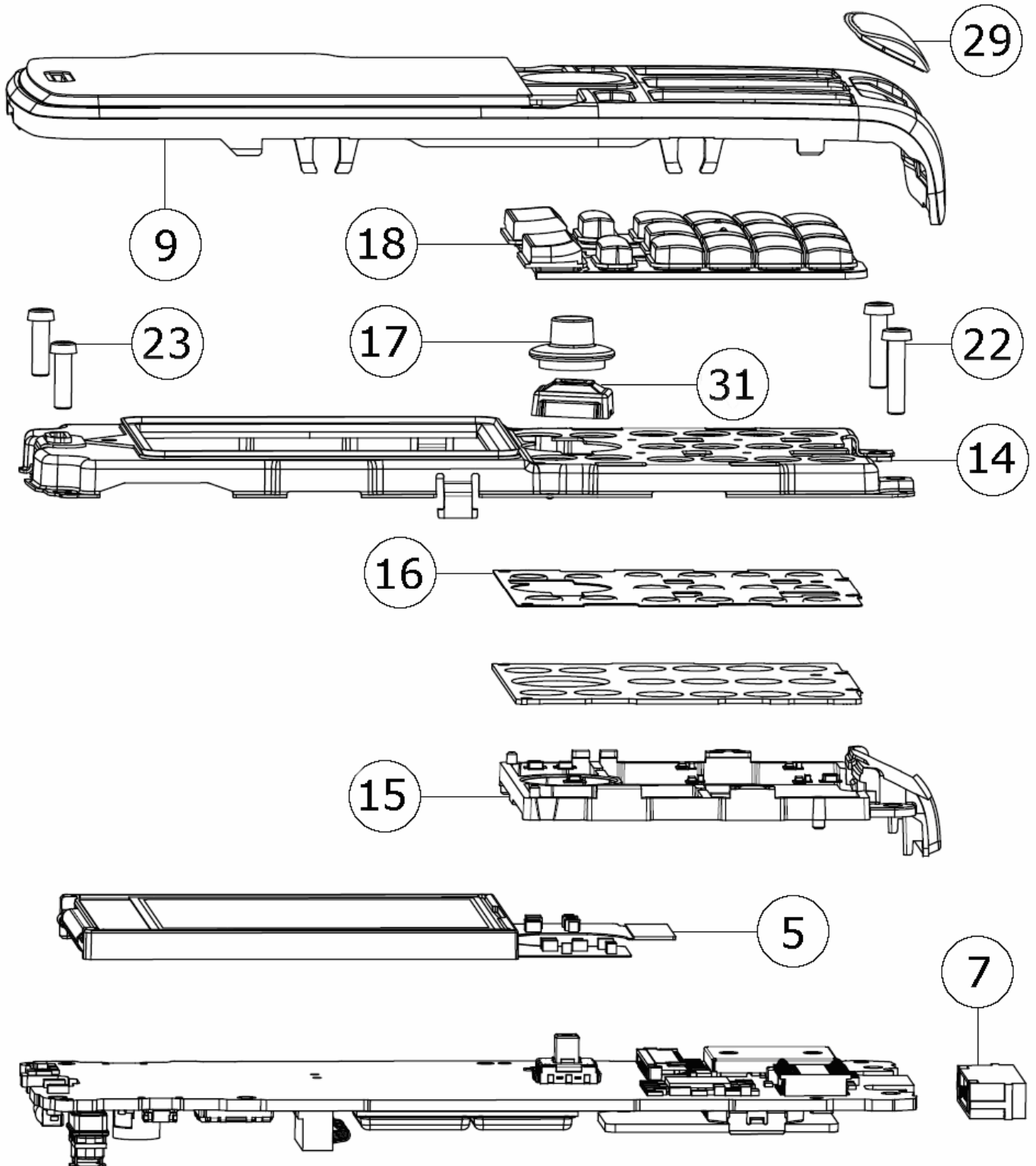
Contents

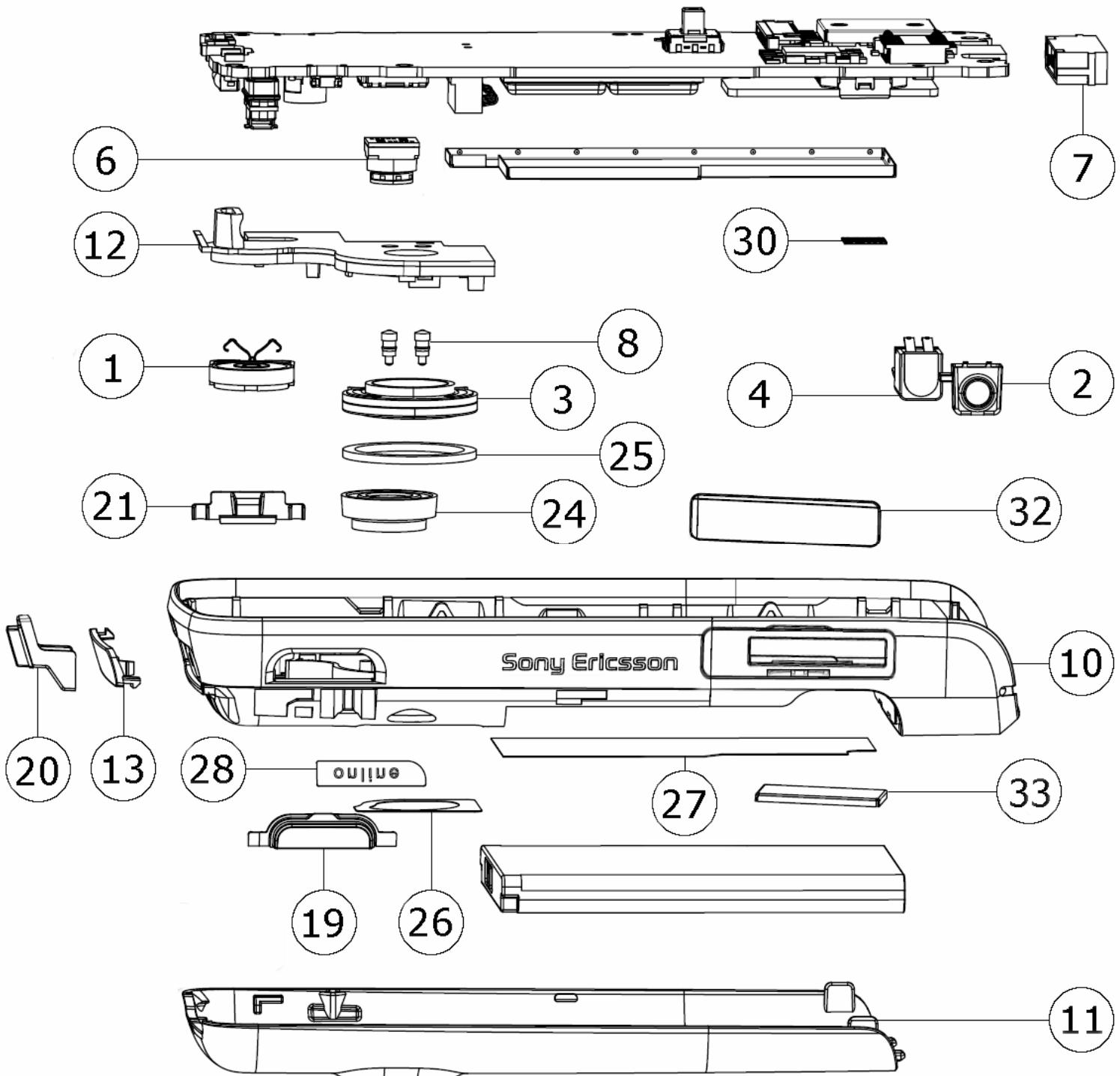
1	Exploded view	2
1.1	Exploded view phone	2
2	Part List	4
2.1	Part list phone	4
3	Label Part List.....	7
4	Revision History.....	8



1 Exploded view

1.1 Exploded view phone





2 Part List

2.1 Part list phone

This Part List includes all parts possible to replace by using the Mechanical Repair Process. Parts available to order will be found in the Web Shop.
Pos. number refers to the Exploded View.



Pos.	Description	Part Number	Comments
1	RECEIVER 32OHM 15%	F/42-60411	
2	MICROPHONE ASSY	F/43-90506	
3	SPEAKER 16mm	F/42-41032	
4	VIBRA 2.7V 5.0X5.5X13.0 8900 +/-1800RPM	F/40-78820	
5	LCD DISPLAY MODULE	F/37-80405	
6	CAMERA MODULE VGA 6X6X4.5MM	F/44-64632	
7	SYSTEM CONNECTOR	RNV79936	
8	POGO PIN	F/34-54091	
9	FRONT COVER ASSEMBLY Misty Silver	F/53-60911	K320 unique
9	FRONT COVER ASSEMBLY Light Brown	F/53-60946	K320 unique
9	FRONT COVER ASSEMBLY Graphite Grey	F/53-60930	K320 unique
9	A-COVER ASSY BLACK	F/53-60307	W200 unique
9	A-COVER ASSY CREAM	F/53-60300	W200 unique
10	FRAME (B-COVER) ASSEMBLY 900MHz	F/53-42500	K320 unique
10	B-COVER ASSEMBLY BLACK 850MHz	F/53-42418	W200 unique
10	B-COVER ASSEMBLY BLACK 900MHz	F/53-42426	W200 unique
10	B-COVER ASSEMBLY ORANGE 850MHz	F/53-42420	W200 unique
10	B-COVER ASSEMBLY ORANGE 900MHz	F/53-42430	W200 unique
11	BATTERY COVER ASSY Misty Silver	F/53-45920	K320 unique
11	BATTERY COVER ASSY BLACK	F/53-44983	W200 unique
11	BATTERY COVER ASSY CREAM	F/53-44976	W200 unique
11	BATTERY COVER ASSY Light Brown	F/53-45944	K320 unique
11	BATTERY COVER ASSY Graphite Grey	F/53-45903	K320 unique
12	AUDIO PIPE ASSEMBLY	F/53-69077	
13	IR WINDOW	F/55-28917	
14	METAL FRAME ASSEMBLY	F/52-91672	K320 unique
14	METAL FRAME ASSEMBLY	F/52-95020	W200 unique
15	UI MODULE FRAME	F/53-71382	K320 unique
15	UI MODULE FRAME	F/53-72183	W200 unique
16	DOME SHEET FOIL	F/53-76973	K320 unique
16	DOME FOIL	F/53-76980	W200 unique
17	JOYSTICK CAP ASSY	F/53-82264	K320 unique
17	JOYSTICK CAP	F/53-82713	W200 unique
18	KEYPAD ASSEMBLY LATIN	F/65-21830	K320 unique
18	KEYPAD ASSEMBLY ARABIC	F/65-21550	K320 unique
18	KEYPAD ASSEMBLY BOBOMOFO	F/65-21228	K320 unique
18	KEYPAD ASSEMBLY HEBREW	F/65-21610	K320 unique
18	KEYPAD ASSEMBLY STROKE	F/65-21926	K320 unique
18	KEYPAD ASSEMBLY THAI	F/65-21454	K320 unique
18	KEYPAD ASSEMBLY CYRILLIC	F/65-21702	K320 unique
18	KEYPAD ASSEMBLY HINDI	F/65-21300	K320 unique
18	KEYPAD ASSY BLACK ARABIC	F/65-30558	W200 unique
18	KEYPAD ASSY BLACK BOPOMOFO	F/65-30527	W200 unique
18	KEYPAD ASSY BLACK CHINESE	F/65-30571	W200 unique
18	KEYPAD ASSY BLACK CYRILLIC	F/65-30526	W200 unique
18	KEYPAD ASSY BLACK HEBREW	F/65-30502	W200 unique
18	KEYPAD ASSY BLACK HINDI	F/65-30517	W200 unique
18	KEYPAD ASSY BLACK LATIN	F/65-30530	W200 unique
18	KEYPAD ASSY BLACK THAI	F/65-30585	W200 unique
18	KEYPAD ASSY CREAM ARABIC	F/65-30552	W200 unique



Pos.	Description	Part Number	Comments
18	KEYPAD ASSY CREAM BOPOMOFO	F/65-30529	W200 unique
18	KEYPAD ASSY CREAM CHINESE	F/65-30578	W200 unique
18	KEYPAD ASSY CREAM CYRILLIC	F/65-30522	W200 unique
18	KEYPAD ASSY CREAM HEBREW	F/65-30504	W200 unique
18	KEYPAD ASSY CREAM HINDI	F/65-30519	W200 unique
18	KEYPAD ASSY CREAM LATIN	F/65-30528	W200 unique
18	KEYPAD ASSY CREAM THAI	F/65-30588	W200 unique
19	CAMERA KEY ASSEMBLY	F/53-42704	K320 unique
19	WALKMAN KEY SILVER	F/53-45962	W200 unique
19	WALKMAN KEY ORANGE	F/53-45957	W200 unique
20	POWER KEY ASSEMBLY	F/53-44168	
21	OPERATOR KEY ASSEMBLY	F/53-47403	K320 unique
21	VOLUME KEY BLACK	F/53-44581	W200 unique
21	VOLUME KEY ORANGE	F/53-44586	W200 unique
22	SCREW BOTTOM K18-1.8x8.00mm black	F/51-60834	
23	SCREW TOP K18-1.8x6.00mm	F/51-67181	
24	CAMERA GASKET	F/57-51317	
25	SPEAKER GASKET	F/57-79280	K320 unique
25	SPEAKER GASKET	F/57-80820	W200 unique
26	SPEAKER DUST NET	F/52-41951	K320 unique
26	SPEAKER DUST NET	F/52-41968	W200 unique
27	TYPE APPROVAL LABEL	F/80-26119	
28	OPERATOR SIDE KEY LABEL GENERIC	F/80-11021	K320 unique
29	OPERATOR LOGO ASSEMBLY	F/80-13500	K320 unique
29	OPERATOR LOGO ASSY WM BLACK	F/80-13720	W200 unique
29	OPERATOR LOGO ASSY CMCC BLACK	F/80-13793	W200 unique
29	OPERATOR LOGO ASSY CMCC CREAM	F/80-13791	W200 unique
29	OPERATOR LOGO ASSY O2 BLACK	F/80-13781	W200 unique
29	OPERATOR LOGO ASSY ORANGE BLACK	F/80-13733	W200 unique
29	OPERATOR LOGO ASSY ORANGE CREAM	F/80-13736	W200 unique
29	OPERATOR LOGO ASSY PROXIMUS BLACK	F/80-13777	W200 unique
29	OPERATOR LOGO ASSY PROXIMUS CREAM	F/80-13773	W200 unique
29	OPERATOR LOGO ASSY ROGERS BLACK	F/80-13765	W200 unique
29	OPERATOR LOGO ASSY ROGERS CREAM	F/80-13762	W200 unique
29	OPERATOR LOGO ASSY TELEFONICA BLACK	F/80-13797	W200 unique
29	OPERATOR LOGO ASSY TELEFONICA CREAM	F/80-13795	W200 unique
29	OPERATOR LOGO ASSY T-MOBILE BLACK	F/80-13808	W200 unique
29	OPERATOR LOGO ASSY T-MOBILE CREAM	F/80-13805	W200 unique
29	OPERATOR LOGO ASSY VIRGIN BLACK	F/80-13743	W200 unique
29	OPERATOR LOGO ASSY VODAFONE BLACK	F/80-13772	W200 unique
29	OPERATOR LOGO ASSY VODAFONE CREAM	F/80-13770	W200 unique
29	OPERATOR LOGO ASSY WIND BLACK	F/80-13707	W200 unique
29	OPERATOR LOGO ASSY WIND CREAM	F/80-13706	W200 unique



Pos.	Description	Part Number	Comments
29	OPERATOR LOGO ASSY WM CREAM	F/80-13701	W200 unique
30	WATER INDICATOR 5X5MM	F/58-35188	
31	JOYSTICK SILICONE	F/54-13240	W200 unique
32	MEMORY CARD HATCH BLACK	F/54-13160	W200 unique
32	MEMORY CARD HATCH ORANGE	F/54-13186	W200 unique
33	MEMORY STICK MICRO (M2) 128MB	F/75-92053	W200 unique

3 Label Part List

Pos.	Description	Part Number	Comments
27	TYPE APPROVAL LABEL (KRH LABEL)	F/80-26119	
	PRINTER RIBBON	LZK 102 734/1	



4 Revision History

Rev.	Date	Changes / Comments
A	2006-10-10	First release
B	2006-11-03	Part name changed (16) + Picture updated on page 2 (Dome Sheet Foil and PWB separated)
C	2007-03-21	W200 unique parts added