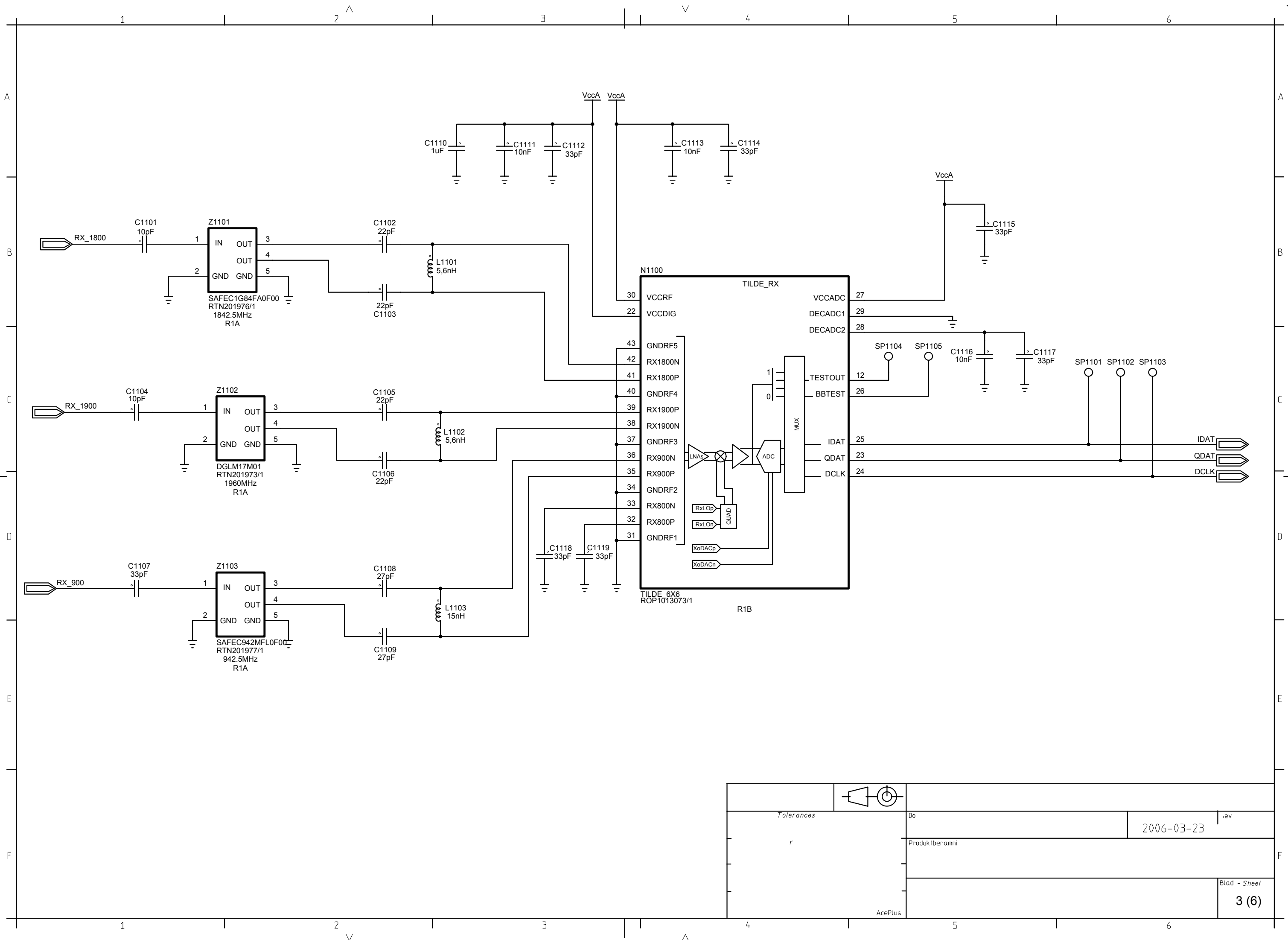


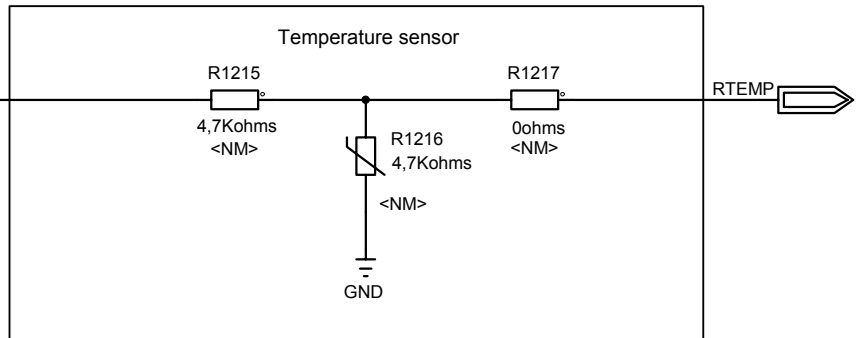
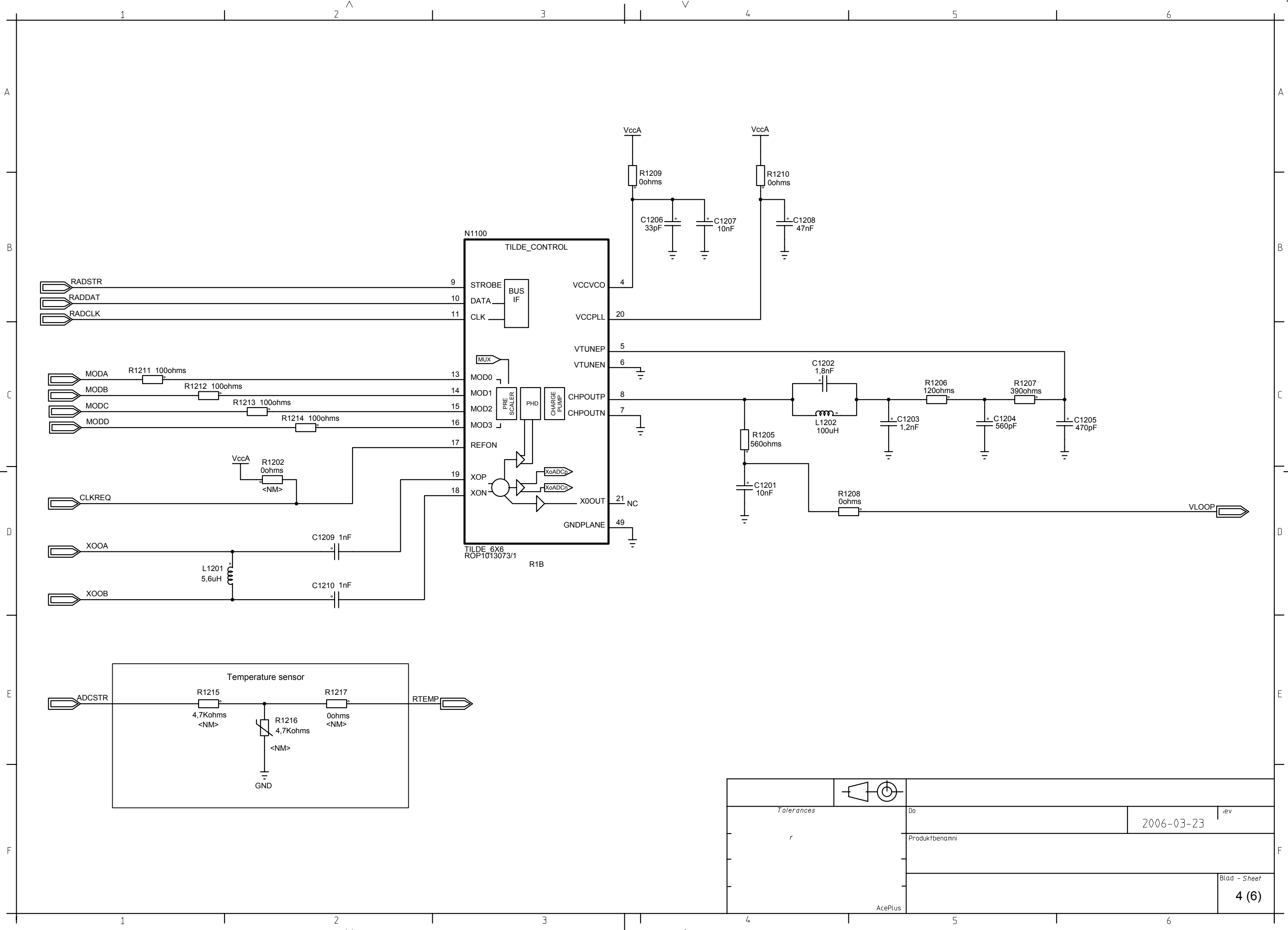
		Do: 2006-03-23	
Tolerances:		Produktbenami:	
r:		Blad - Sheet:	
AcePlus			

LZF 030 103/F RB



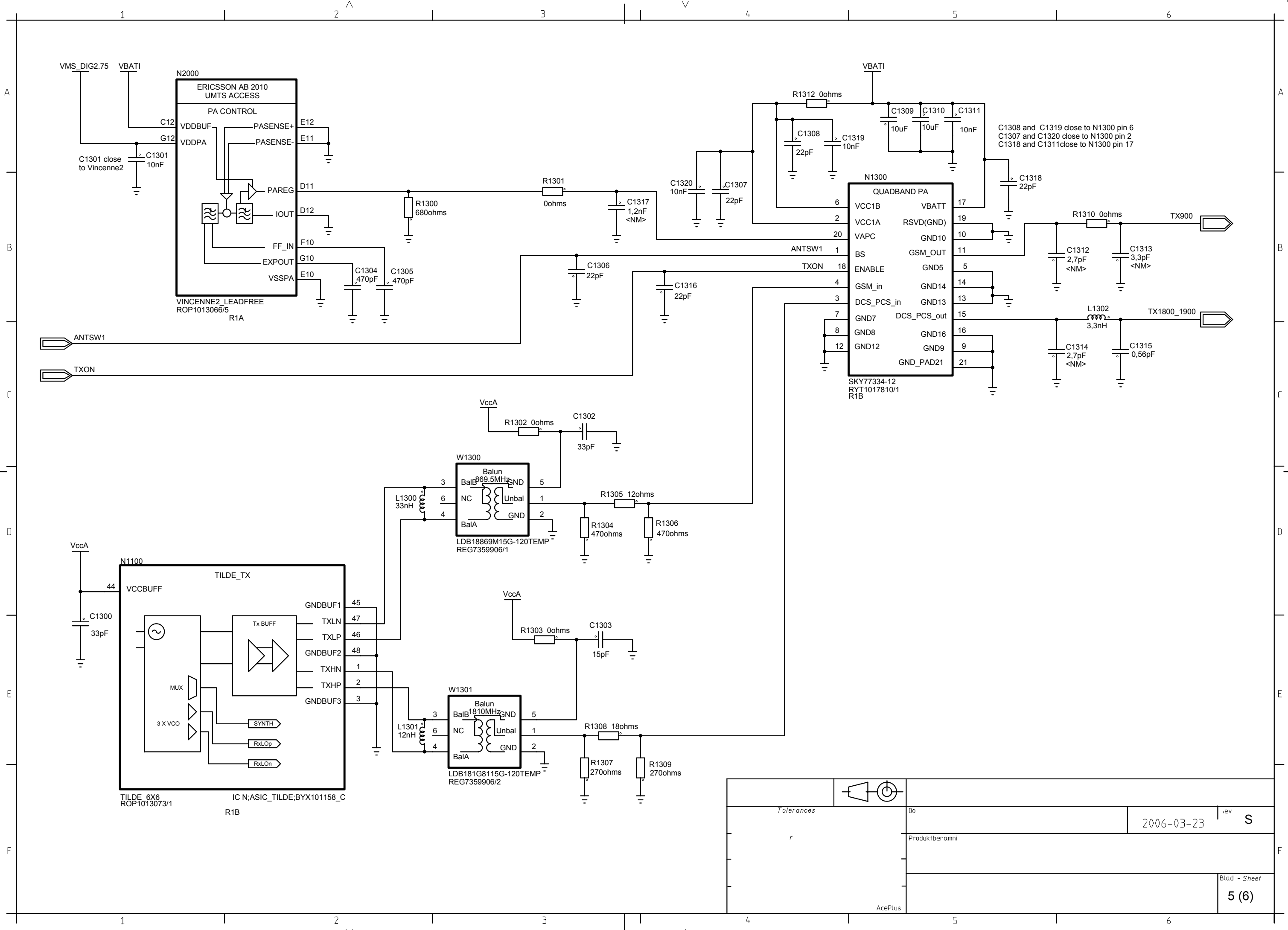
Tolerances		Do	
r		2006-03-23 rev	
		Produktbenami	
		Blad - Sheet	
AcePlus		3 (6)	

LZF 030 103/F RB



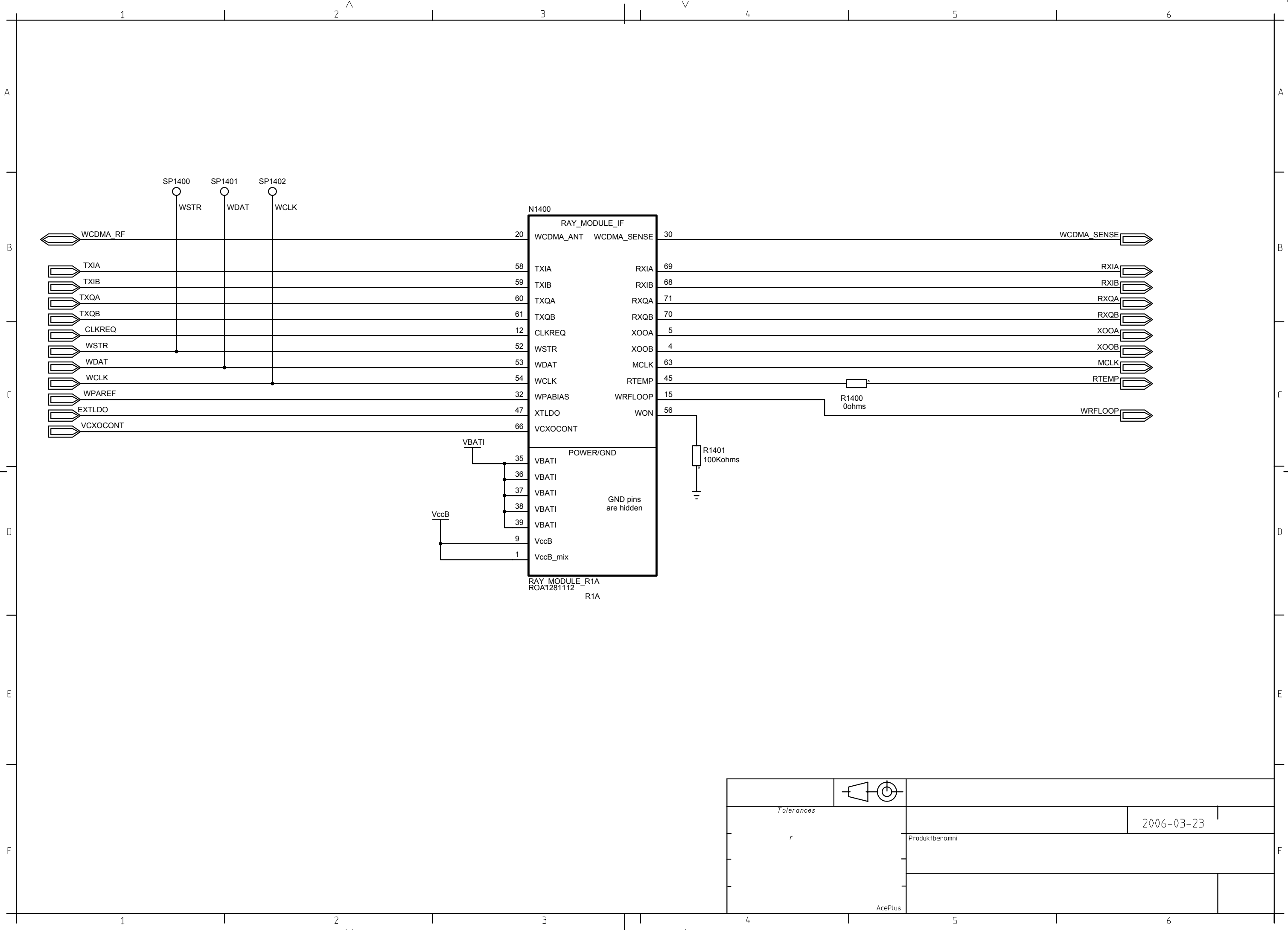
		2006-03-23 ^{rev}	
Tolerances <i>r</i>		Produktbenamni	
AcePlus		Blad - Sheet 4 (6)	

LZF 030 103/F RB



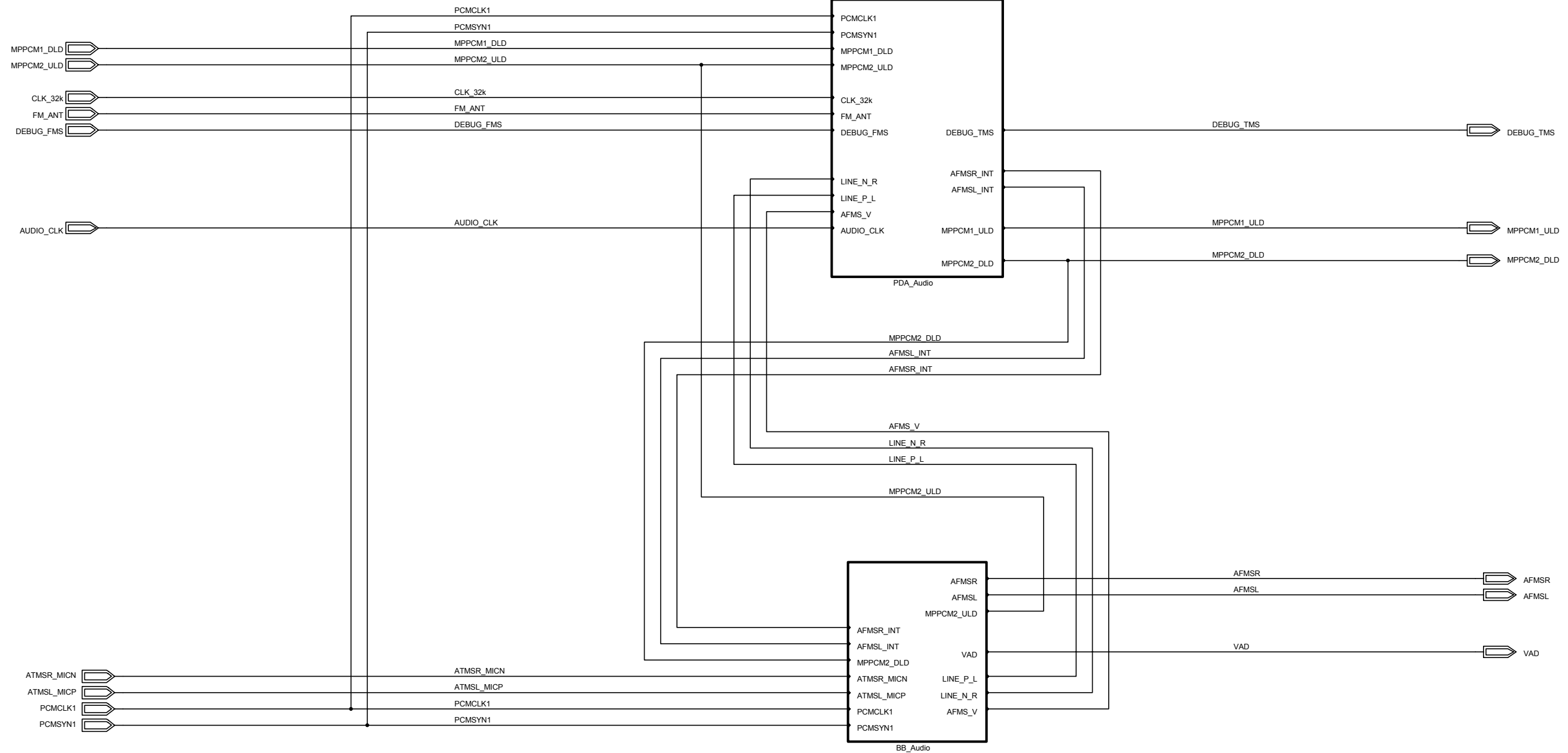
Tolerances		Do	
r		Produktbenamni	
		2006-03-23 ^{REV} S	
		Blad - Sheet	
		5 (6)	

LZF 030 103/F RB



LZF 030 103/F RB

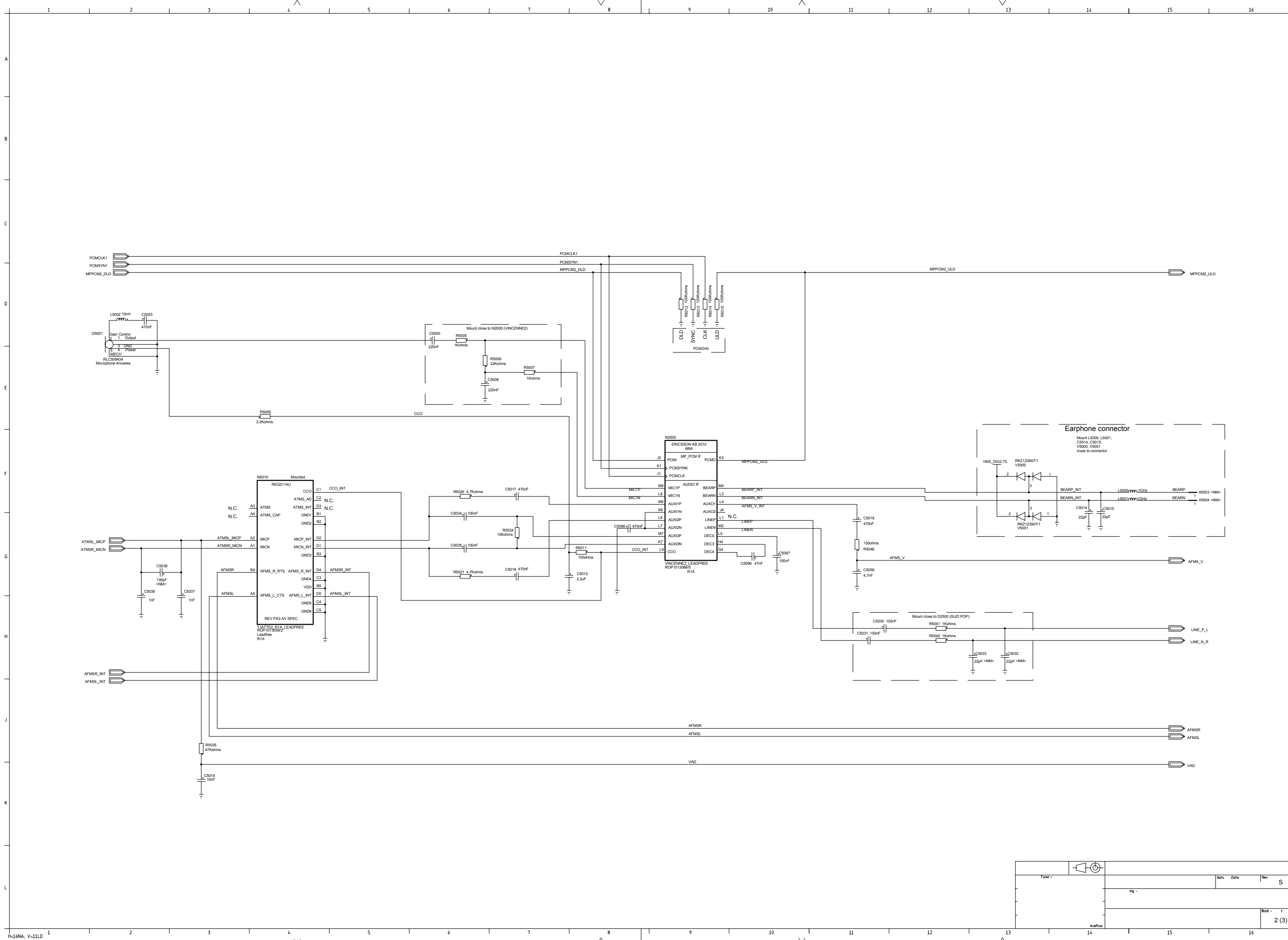
		2006-03-23	
Tolerances		Produktbenami	
r			
AcePlus			



Baseband audio (page 2) 5000 - 5499
PDA audio (page 3) 5500 - 5999

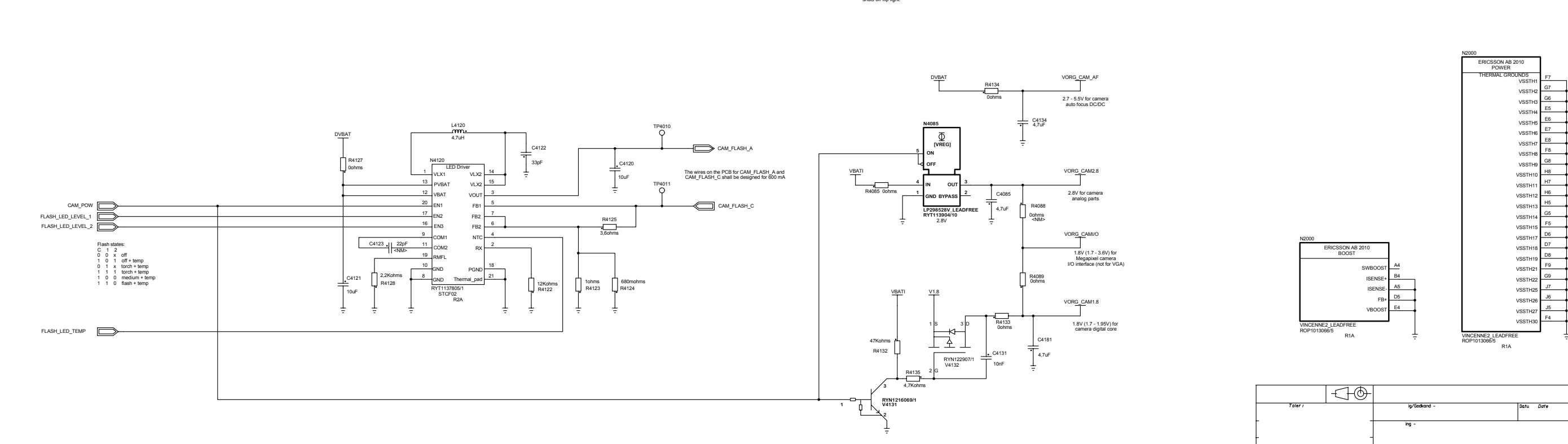
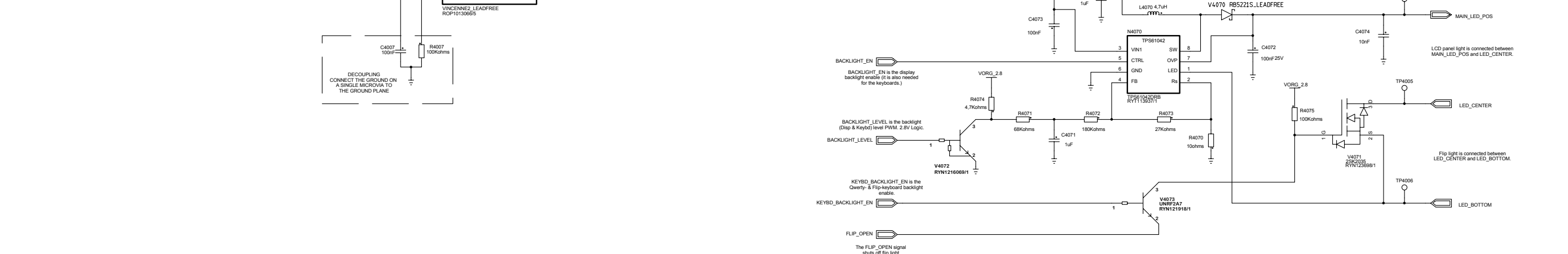
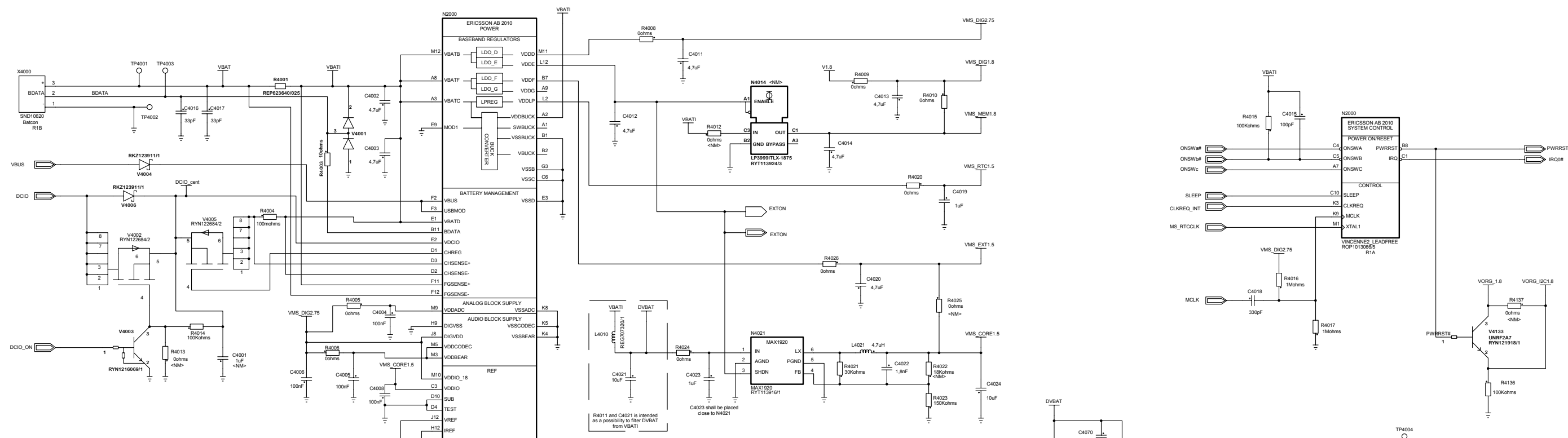
		ig/Godkand -		Datu	Date	Rev
Foler 1		ing -				
						Blad - Sheet
AcePlus						1 (3)

LZF 030 102/F RB

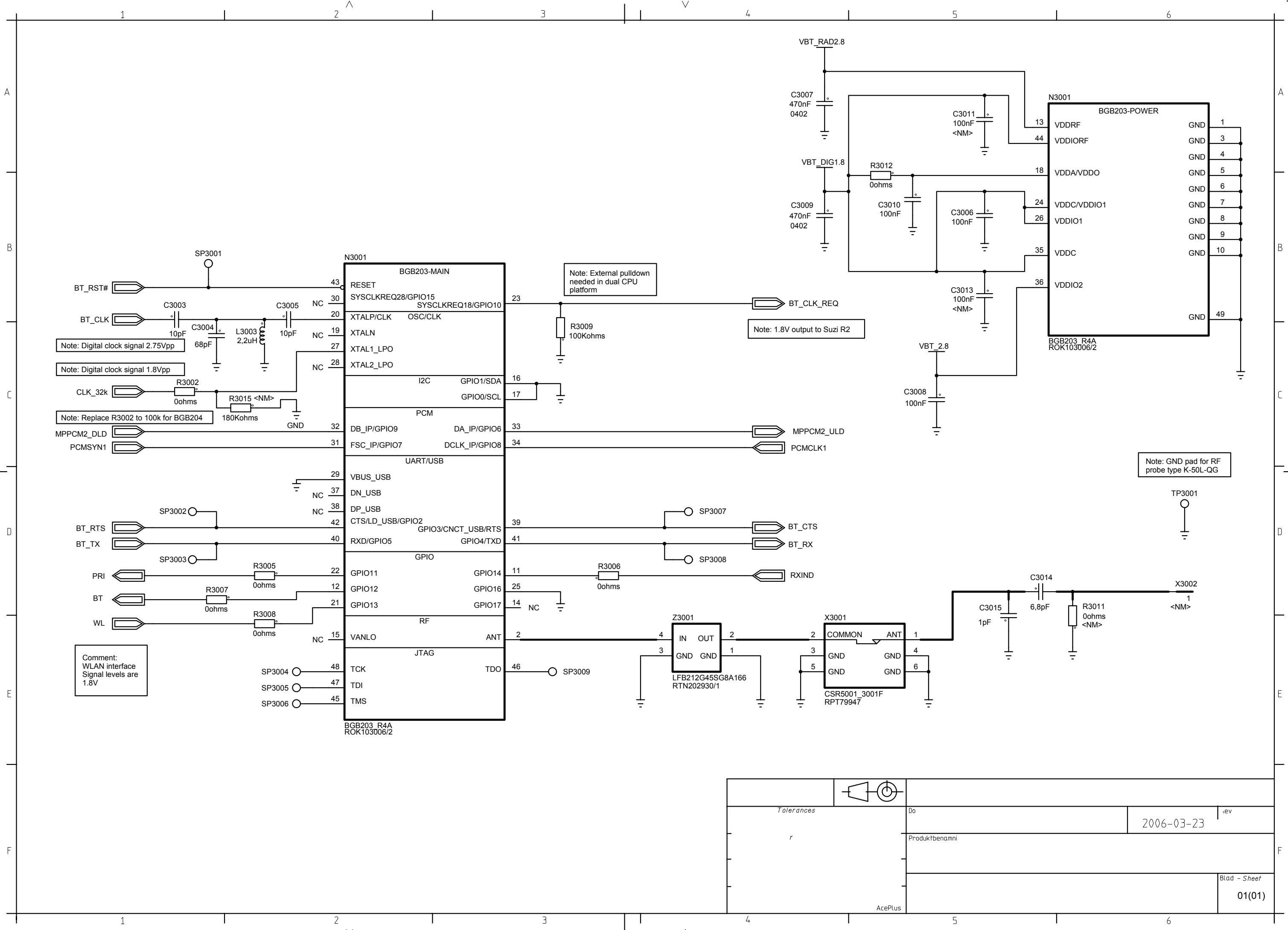


Toler :		Date		Rev
ng -				S
AsaPlus				2 (3)

LZF 030 101/F RB1



Toler	lg/Godard	datu	Date	Rev
	lg -			



Note: Digital clock signal 2.75Vpp

Note: Digital clock signal 1.8Vpp

Note: Replace R3002 to 100k for BGB204

Note: External pulldown needed in dual CPU platform

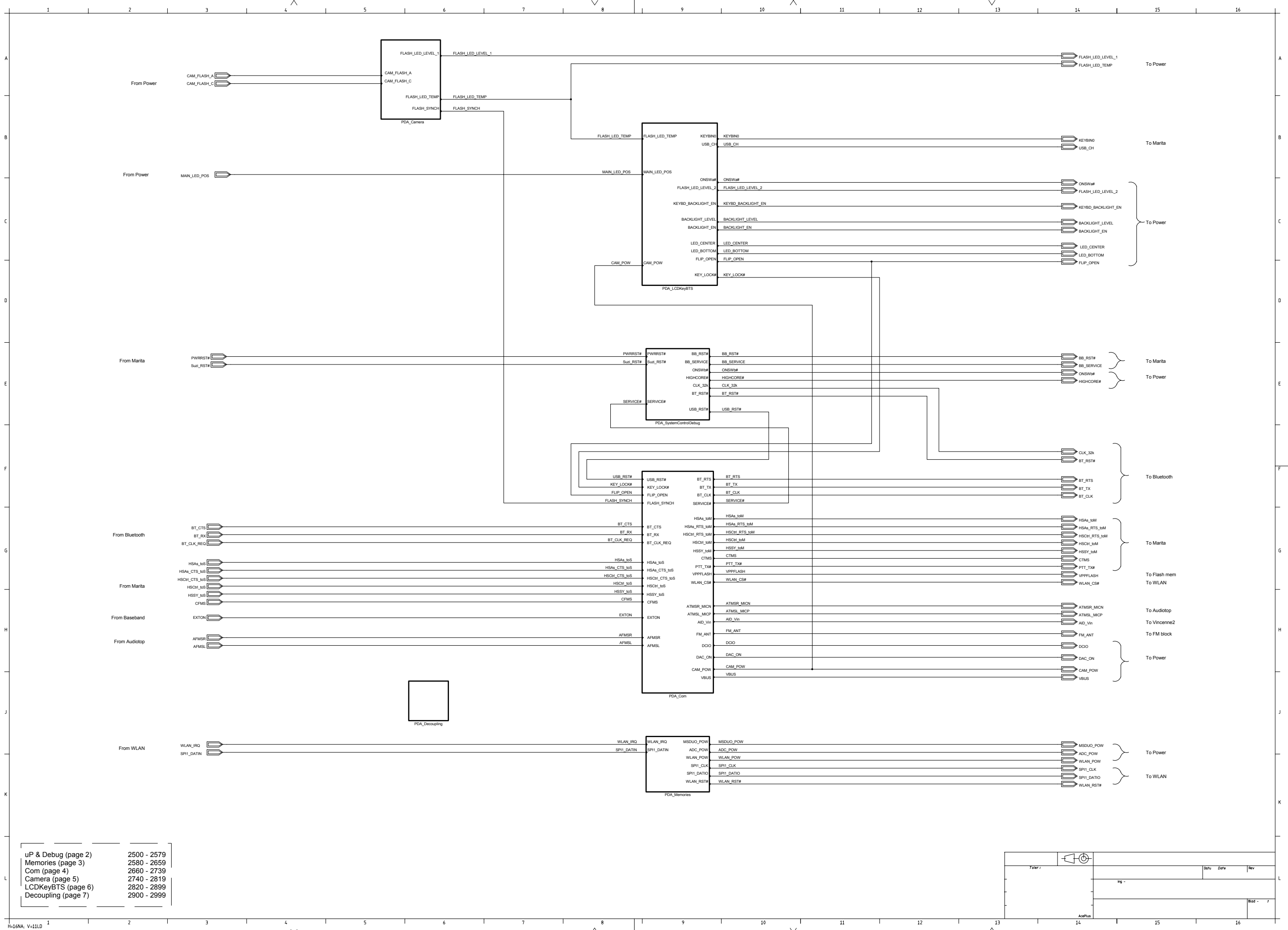
Note: 1.8V output to Suzi R2

Note: GND pad for RF probe type K-50L-QG

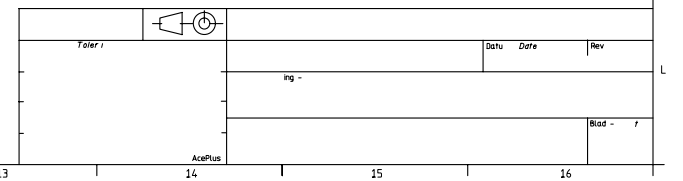
Comment: WLAN interface Signal levels are 1.8V

Tolerances		Do		2006-03-23	
r		Produktbenamni			
		Blad - Sheet		01(01)	

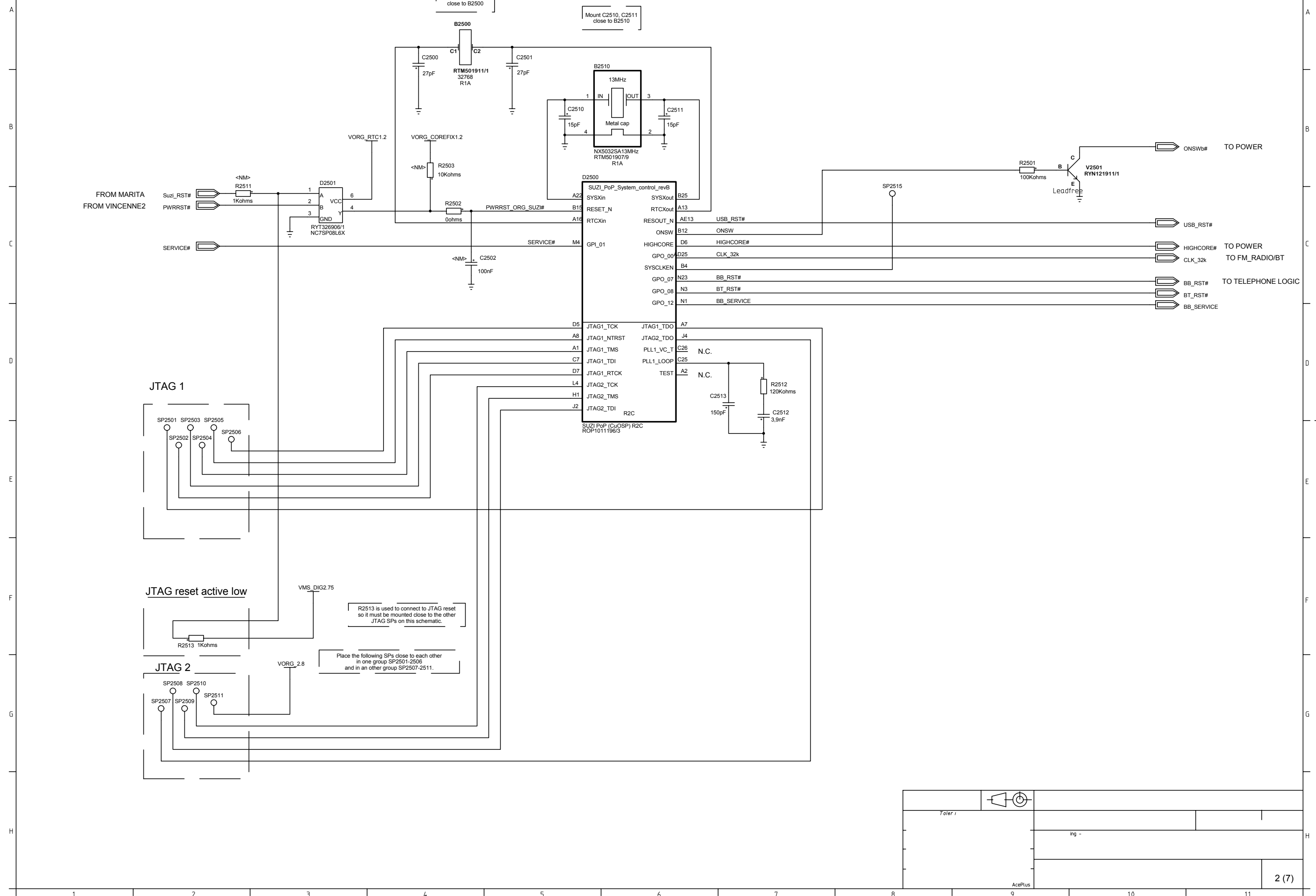
LZF 030 103/F RB



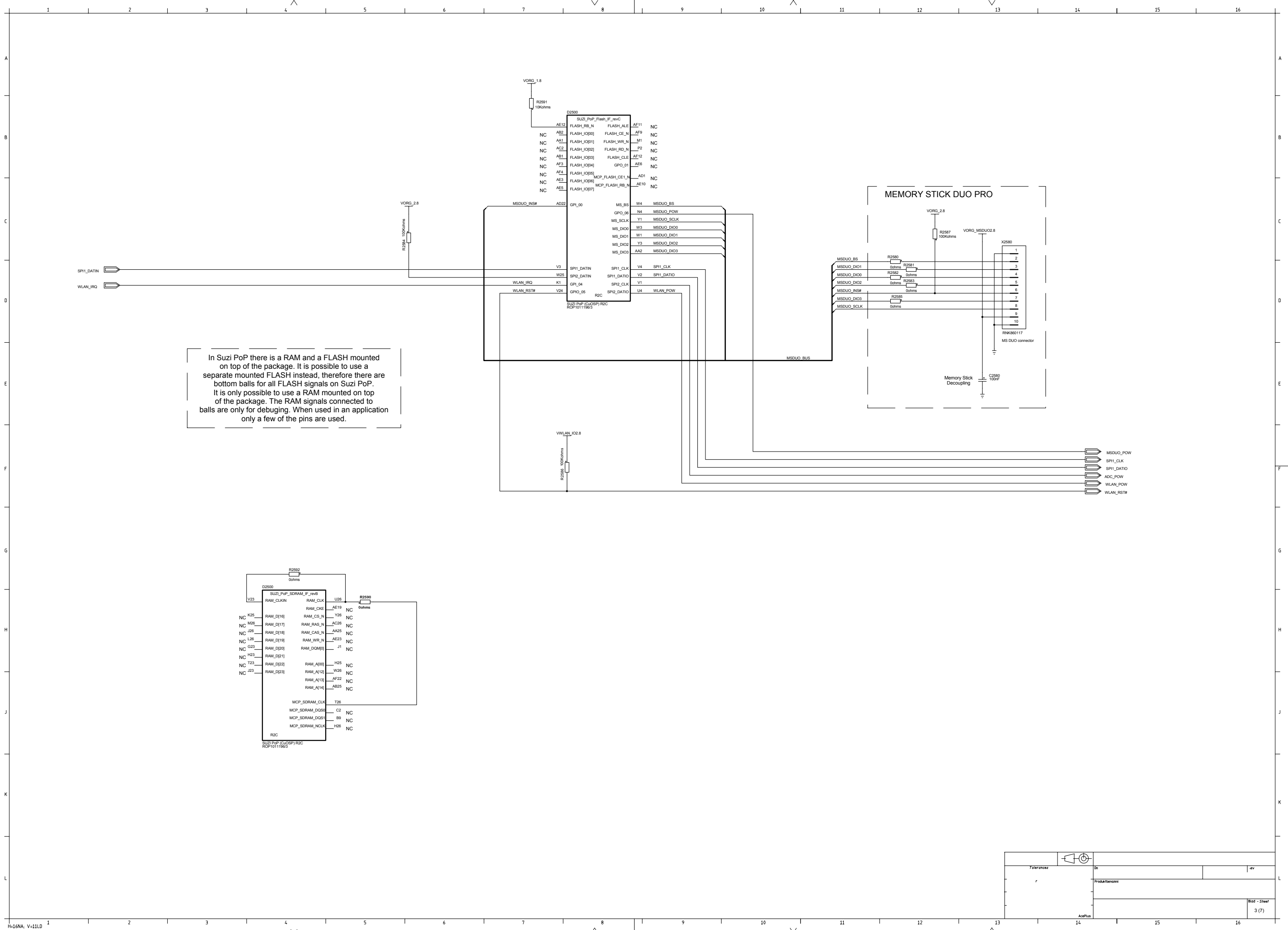
uP & Debug (page 2)	2500 - 2579
Memories (page 3)	2580 - 2659
Com (page 4)	2660 - 2739
Camera (page 5)	2740 - 2819
LCDKeyBTS (page 6)	2820 - 2899
Decoupling (page 7)	2900 - 2999



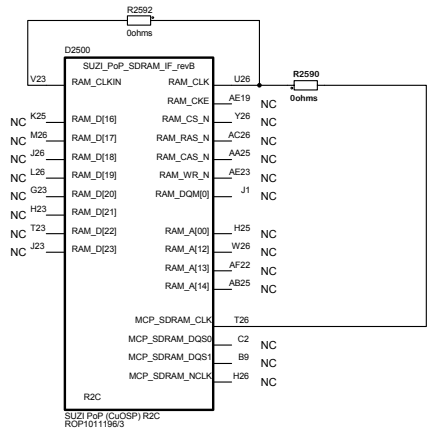
LZF 030 101/F RB1

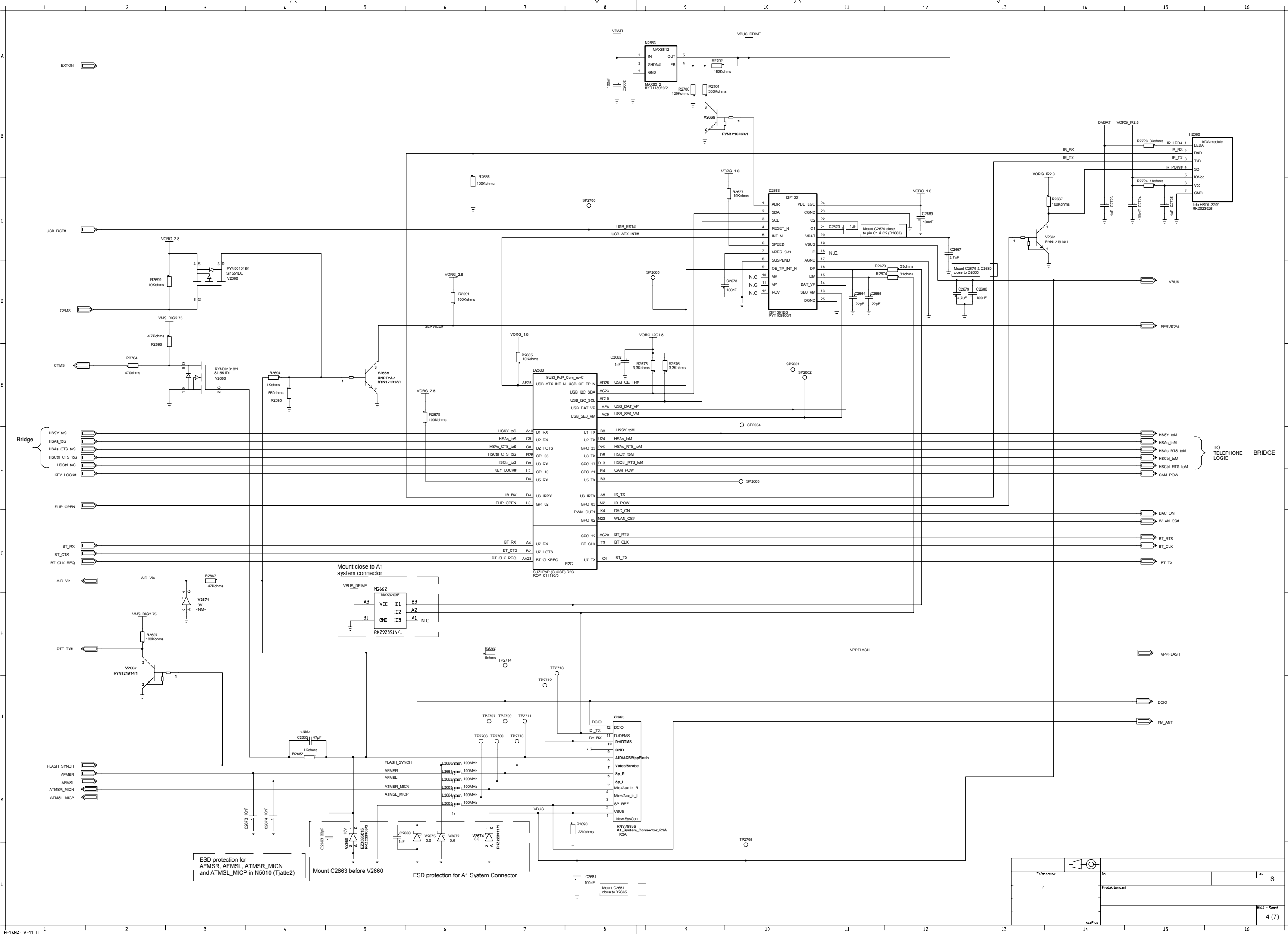


Toler 1		ing -	
AcePlus		2 (7)	



In Suzi PoP there is a RAM and a FLASH mounted on top of the package. It is possible to use a separate mounted FLASH instead, therefore there are bottom balls for all FLASH signals on Suzi PoP. It is only possible to use a RAM mounted on top of the package. The RAM signals connected to balls are only for debugging. When used in an application only a few of the pins are used.





ESD protection for AFMSR, AFMSL, ATMSR_MICN and ATMSL_MICP in N5010 (Tjatte2)

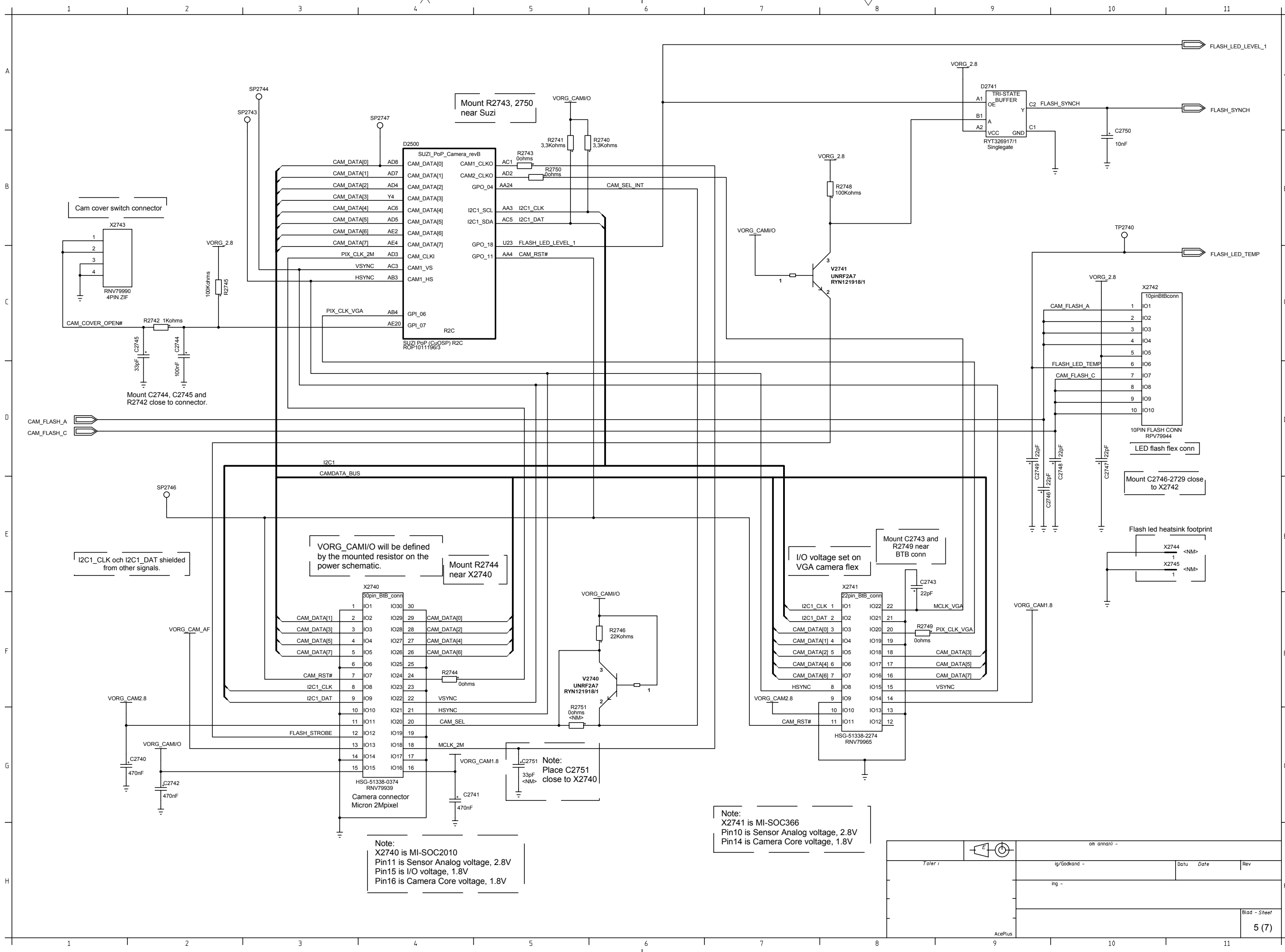
Mount C2663 before V2660

ESD protection for A1 System Connector

Mount C2681 close to X2665

Tolerances	Do	ev	S
r	Productname		
	Blad - Sheet		4 (7)

LZF 030 101/F RB1



Cam cover switch connector

Mount C2744, C2745 and R2742 close to connector.

Mount R2743, 2750 near Suzi

I2C1_CLK och I2C1_DAT shielded from other signals.

Mount R2744 near X2740

I/O voltage set on VGA camera flex

Mount C2743 and R2749 near BTB conn

Mount C2746-2729 close to X2742

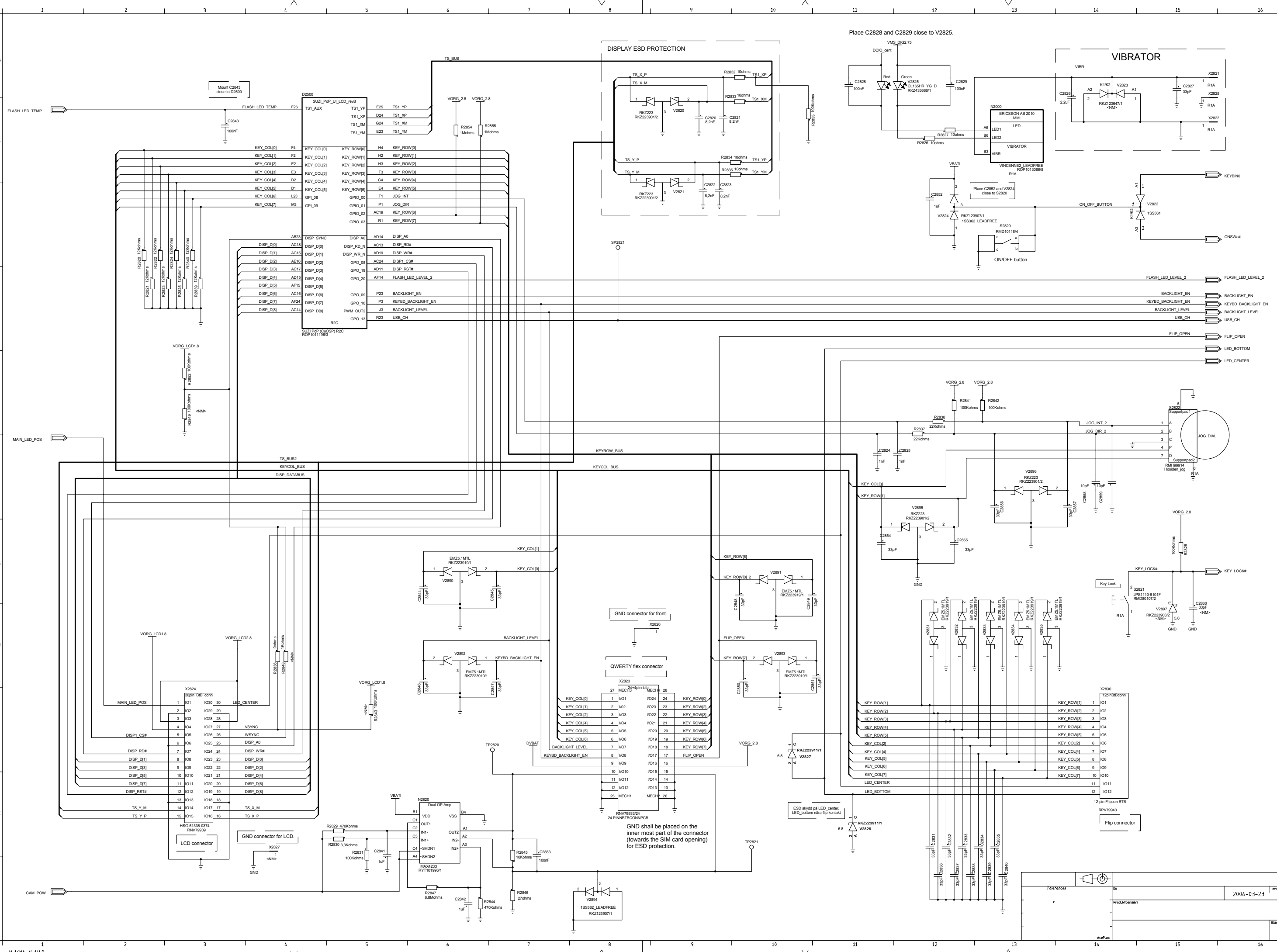
Flash led heatsink footprint

Note:
X2740 is MI-SOC2010
Pin11 is Sensor Analog voltage, 2.8V
Pin15 is I/O voltage, 1.8V
Pin16 is Camera Core voltage, 1.8V

Note:
X2741 is MI-SOC366
Pin10 is Sensor Analog voltage, 2.8V
Pin14 is Camera Core voltage, 1.8V

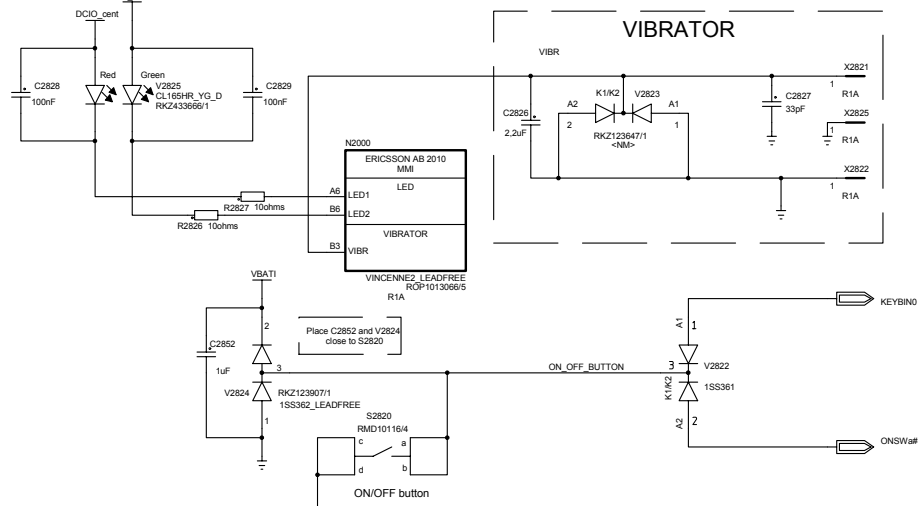
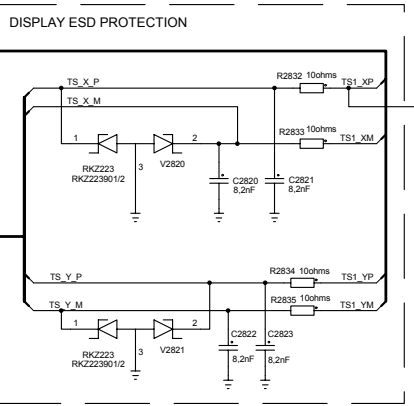
om annan -			
Foler 1	ig/Godkand -	Datu Date	Rev
ing -			
AcePlus			Blad - Sheet
			5 (7)

LZF 030 102/F RB



Place C2828 and C2829 close to V2825.

VIBRATOR



SP2821

Place C2852 and V2824 close to S2820.

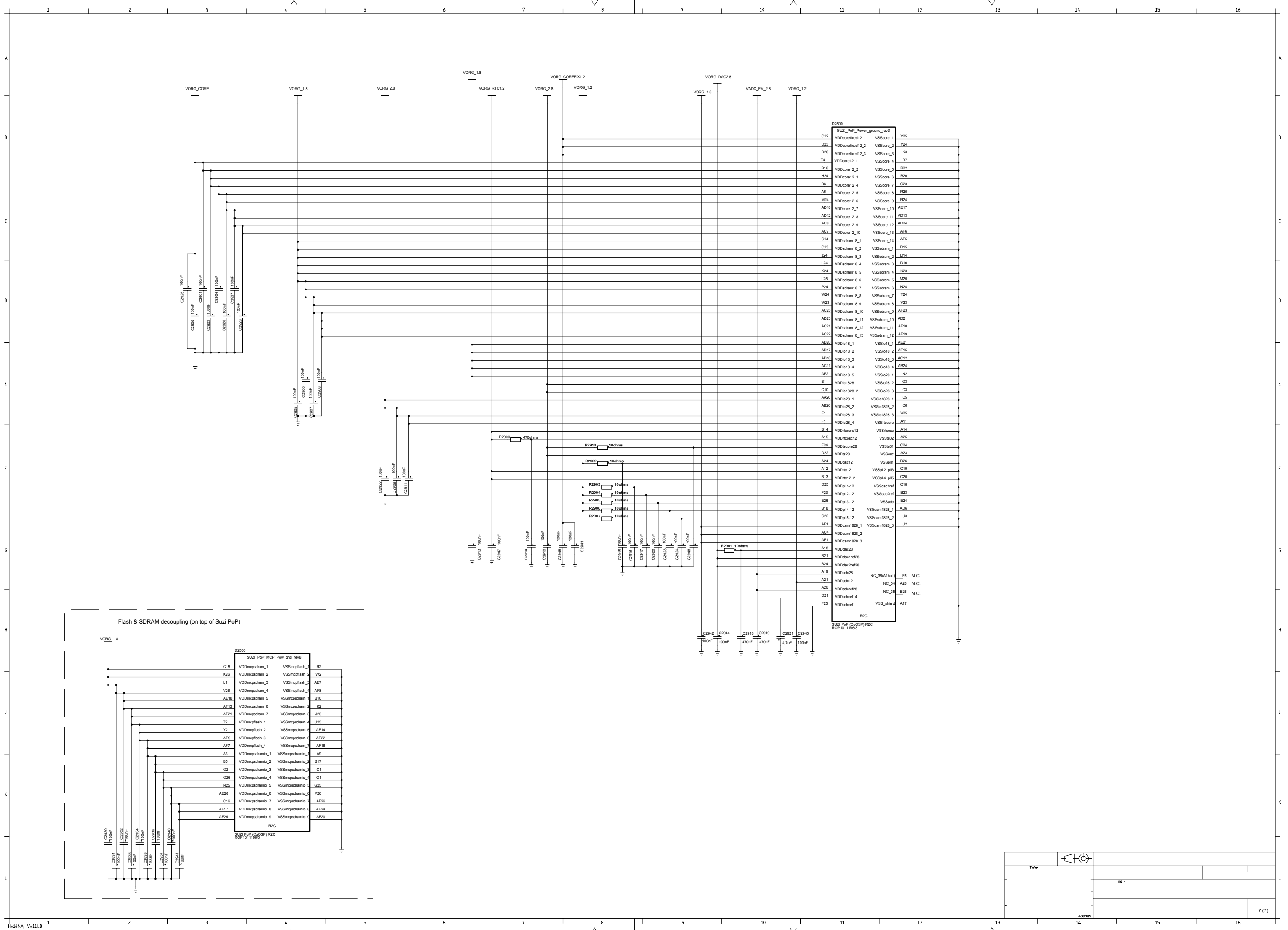
GND connector for front.

QWERTY flex connector

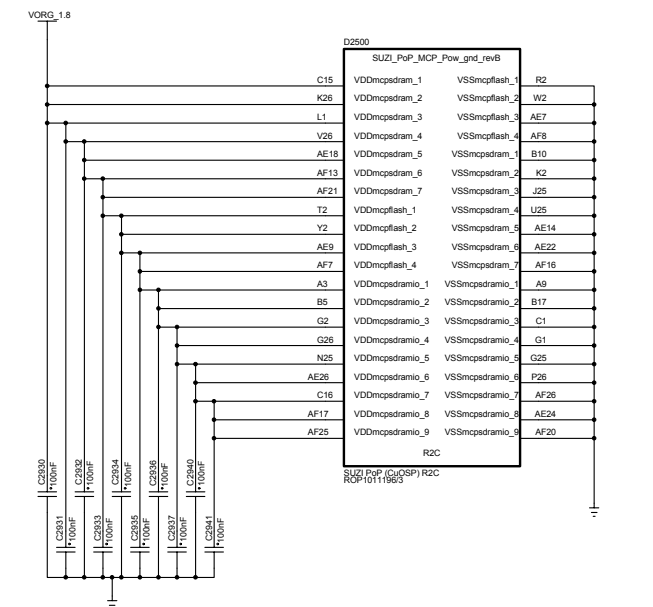
GND shall be placed on the inner most part of the connector (towards the SIM card opening) for ESD protection.

Tolerance	±0	2006-03-23	ev
Product name			
Author	Blad - Sheer		
AppRus	6 (7)		

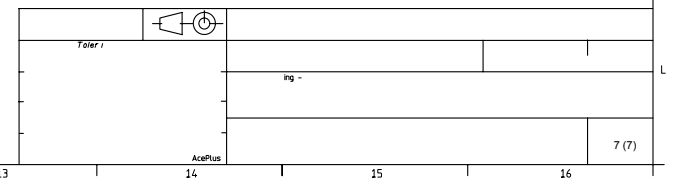
LZF 030 101/F RB1

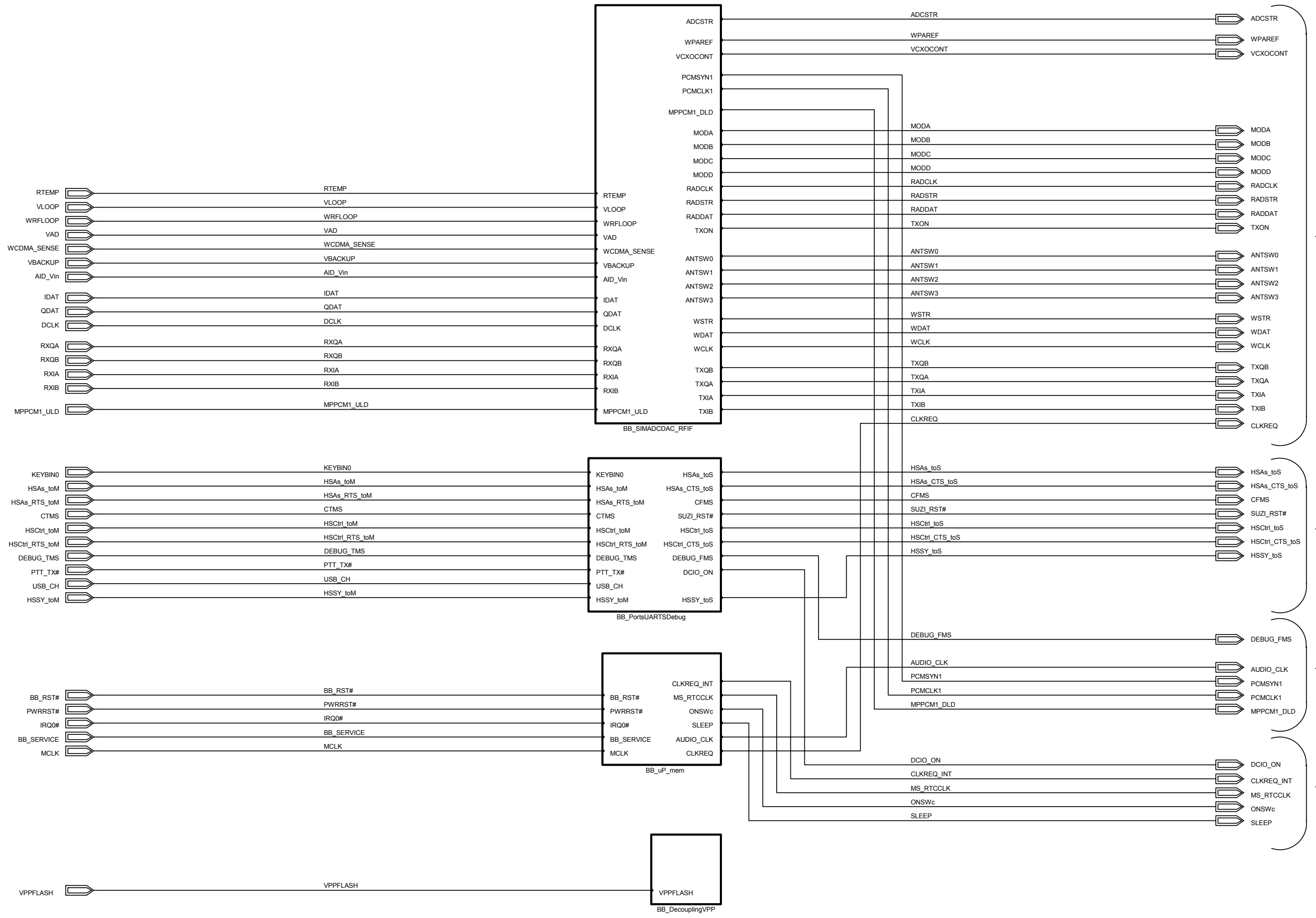


Flash & SDRAM decoupling (on top of Suzi PoP)

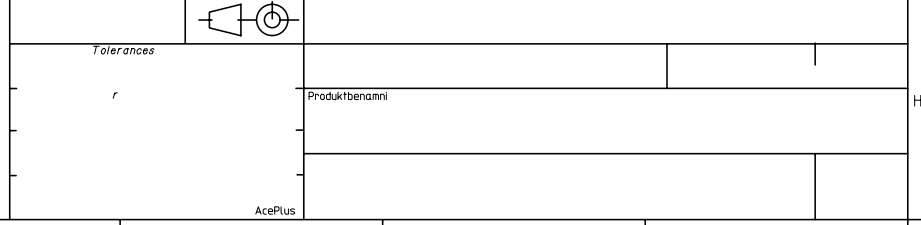


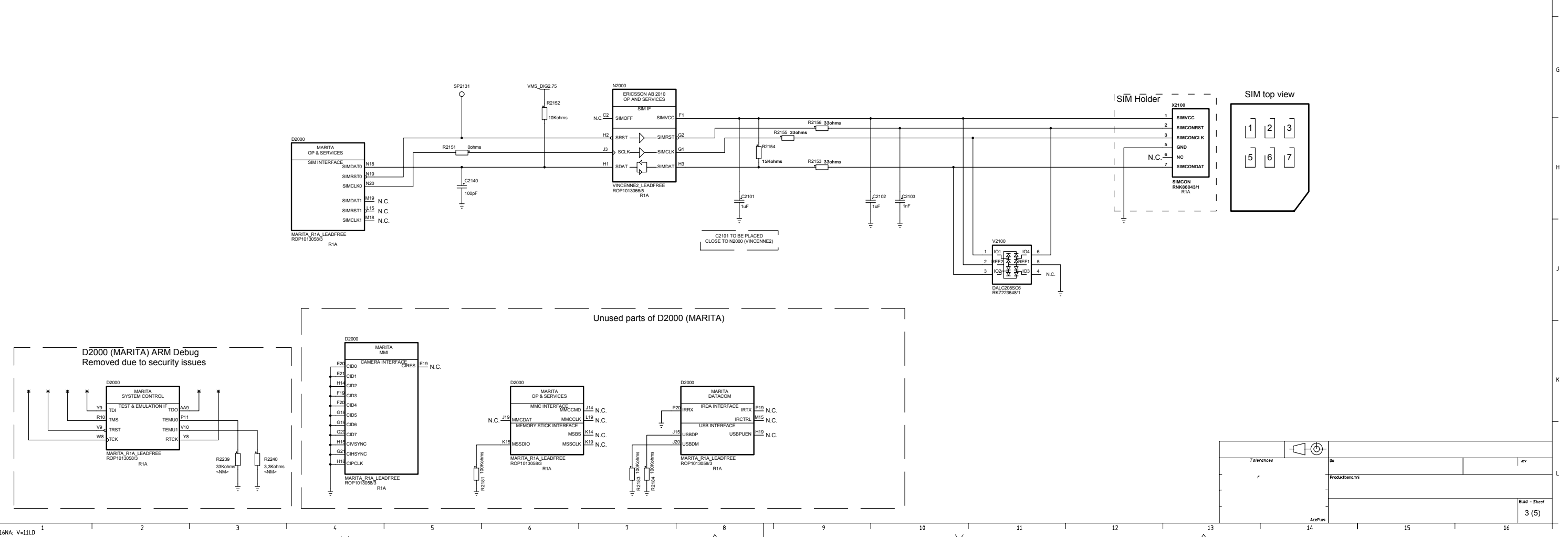
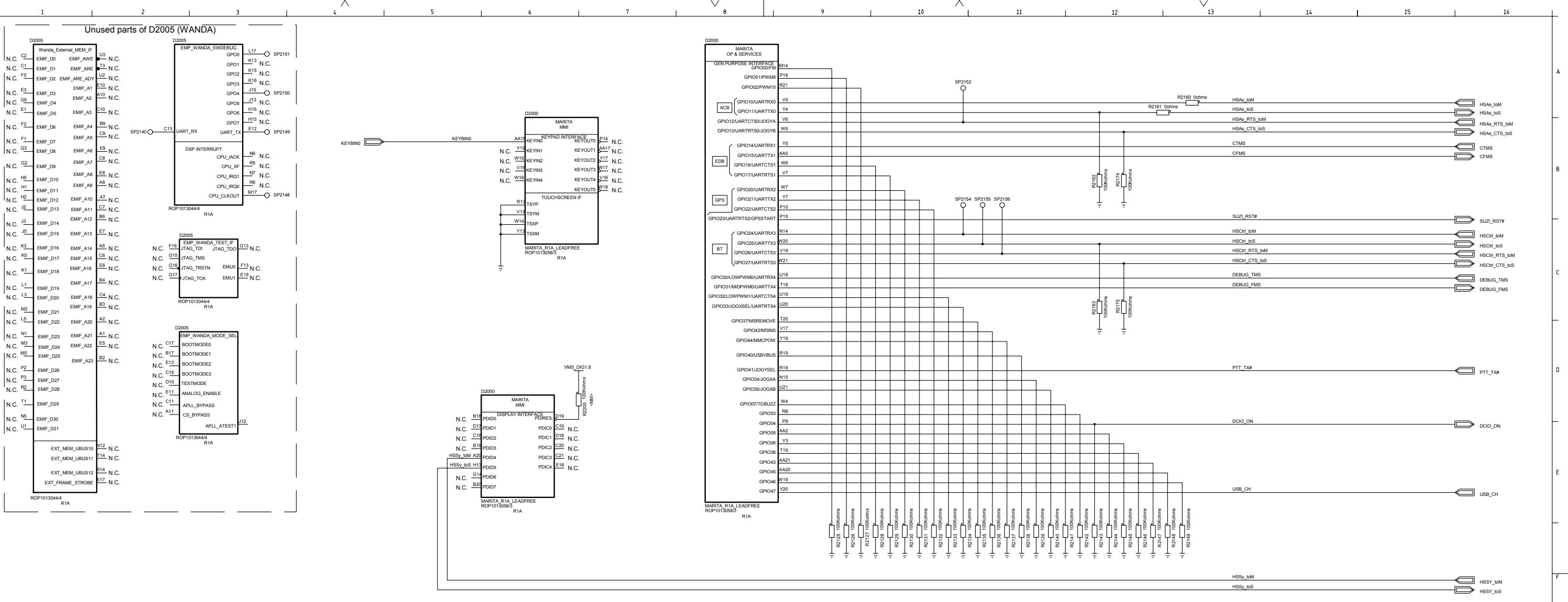
D2500		
Pin	Signal Name	Value
C12	VDDcorefwd12_1	VSScore_1
D23	VDDcorefwd12_2	VSScore_2
D20	VDDcorefwd12_3	VSScore_3
T4	VDDcore12_1	VSScore_4
B16	VDDcore12_2	VSScore_5
H24	VDDcore12_3	VSScore_6
B6	VDDcore12_4	VSScore_7
A6	VDDcore12_5	VSScore_8
M24	VDDcore12_6	VSScore_9
AD18	VDDcore12_7	VSScore_10
AD12	VDDcore12_8	VSScore_11
AC8	VDDcore12_9	VSScore_12
AC7	VDDcore12_10	VSScore_13
C14	VDDsdram18_1	VSSdram_14
C13	VDDsdram18_2	VSSdram_15
J24	VDDsdram18_3	VSSdram_16
L24	VDDsdram18_4	VSSdram_17
K24	VDDsdram18_5	VSSdram_18
L25	VDDsdram18_6	VSSdram_19
P24	VDDsdram18_7	VSSdram_20
W24	VDDsdram18_8	VSSdram_21
W23	VDDsdram18_9	VSSdram_22
AC25	VDDsdram18_10	VSSdram_23
AD23	VDDsdram18_11	VSSdram_24
AC21	VDDsdram18_12	VSSdram_25
AC22	VDDsdram18_13	VSSdram_26
AD20	VDDio18_1	VSSio18_1
AD17	VDDio18_2	VSSio18_2
AD16	VDDio18_3	VSSio18_3
AC11	VDDio18_4	VSSio18_4
AF2	VDDio18_5	VSSio18_5
B1	VDDio1828_1	VSSio1828_1
C10	VDDio1828_2	VSSio1828_2
AA26	VDDio28_1	VSSio28_1
AB26	VDDio28_2	VSSio28_2
E1	VDDio28_3	VSSio28_3
F1	VDDio28_4	VSSio28_4
B14	VDDio28_5	VSSio28_5
A15	VDDio28_6	VSSio28_6
F24	VDDio28_7	VSSio28_7
D22	VDDio28_8	VSSio28_8
A24	VDDio28_9	VSSio28_9
A12	VDDio28_10	VSSio28_10
B13	VDDio28_11	VSSio28_11
D25	VDDio28_12	VSSio28_12
F23	VDDio28_13	VSSio28_13
E26	VDDio28_14	VSSio28_14
B16	VDDio28_15	VSSio28_15
C22	VDDio28_16	VSSio28_16
AF1	VDDio28_17	VSSio28_17
AC4	VDDio28_18	VSSio28_18
AE1	VDDio28_19	VSSio28_19
A18	VDDio28_20	VSSio28_20
B21	VDDio28_21	VSSio28_21
B24	VDDio28_22	VSSio28_22
A19	VDDio28_23	VSSio28_23
A21	VDDio28_24	VSSio28_24
A20	VDDio28_25	VSSio28_25
D21	VDDio28_26	VSSio28_26
F25	VDDio28_27	VSSio28_27
R2C	VSS_shield	A17



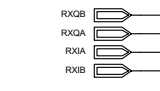
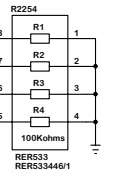
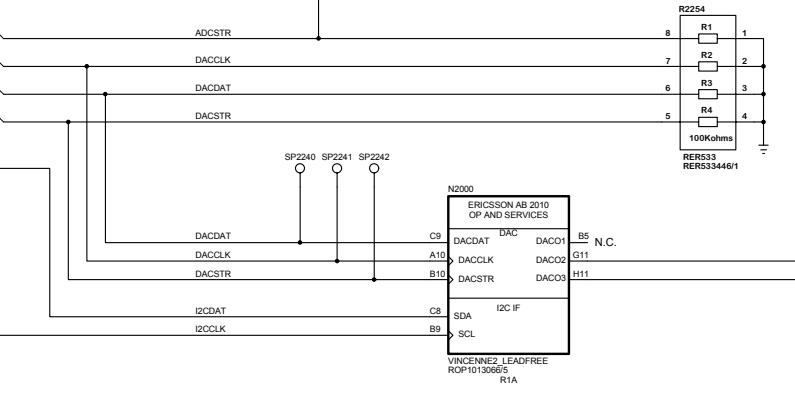
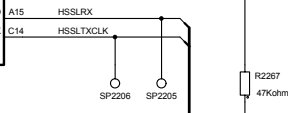
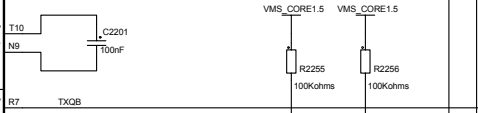
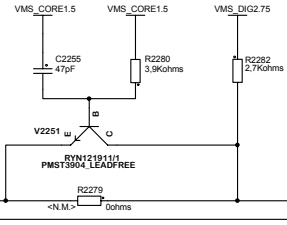
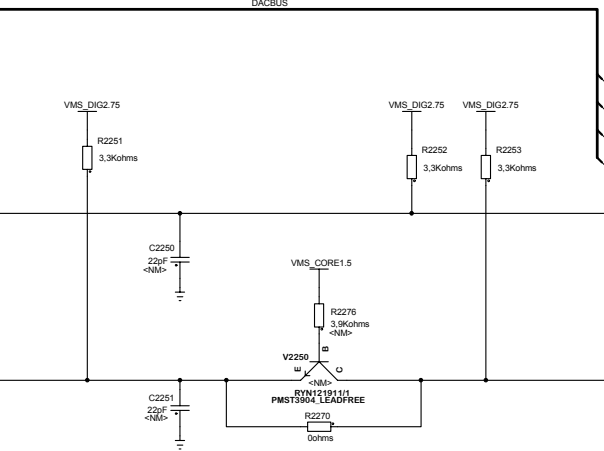
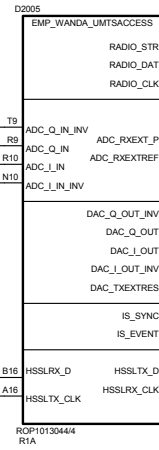
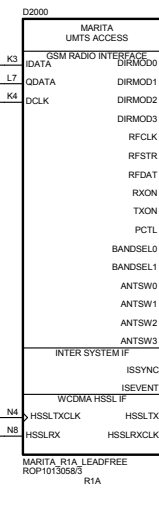
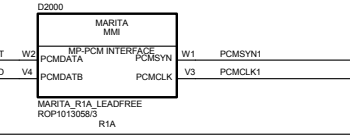
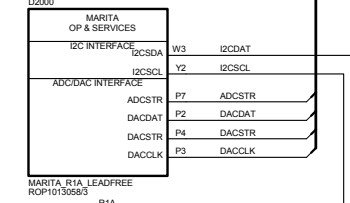
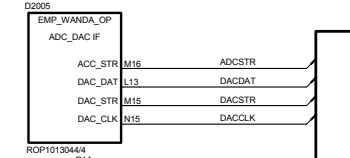
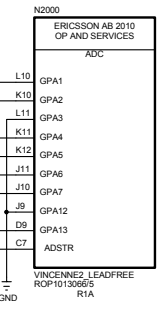
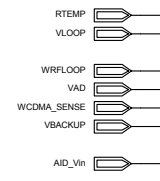


uP and memory (page 2)	2000 - 2124
Ports, UARTs & Debug (page 3)	2125 - 2239
SIM, ADC, DAC and Radio IF (page 4)	2240 - 2374
Decoupling & VPP (page 5)	2375 - 2499



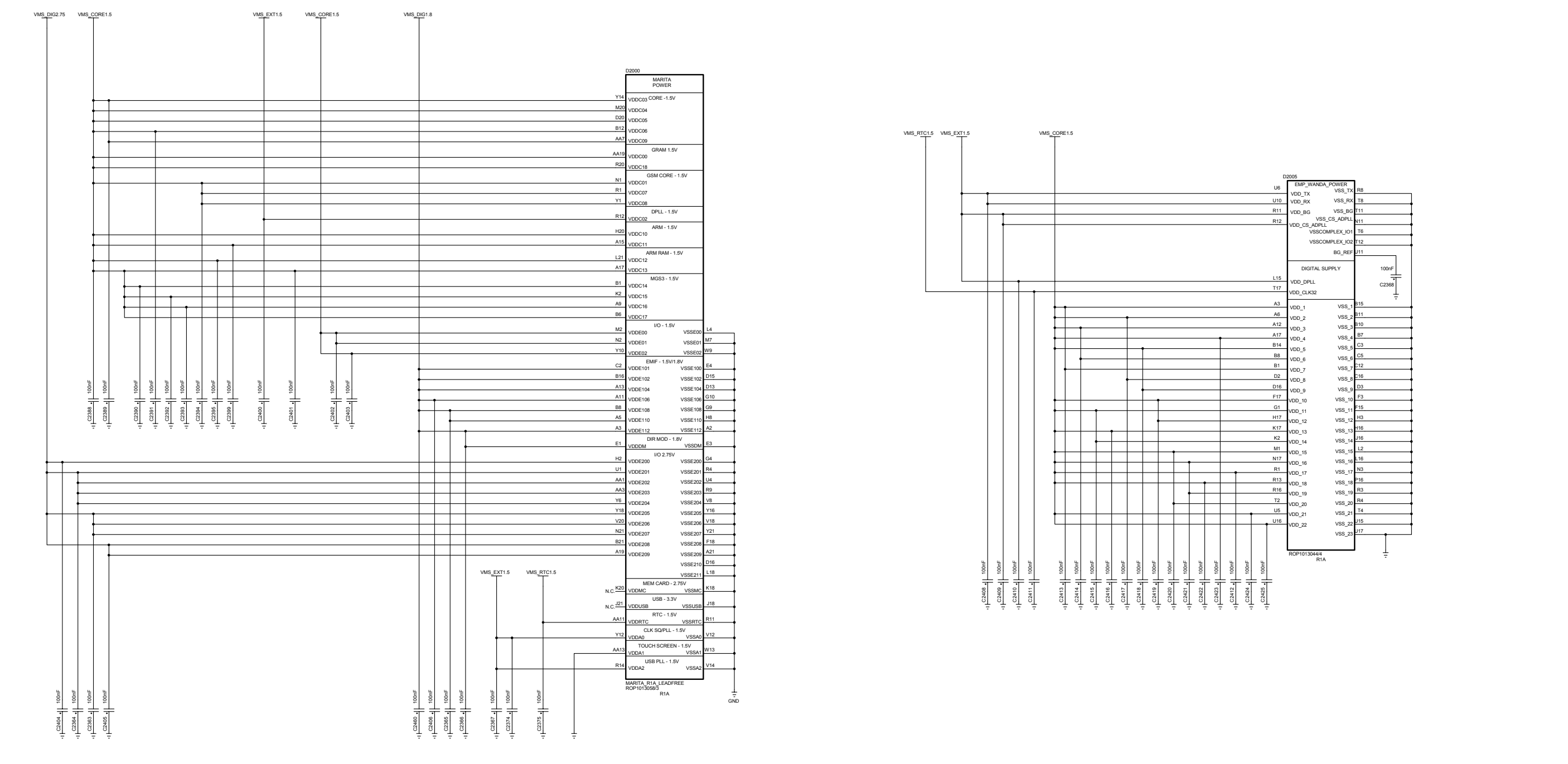
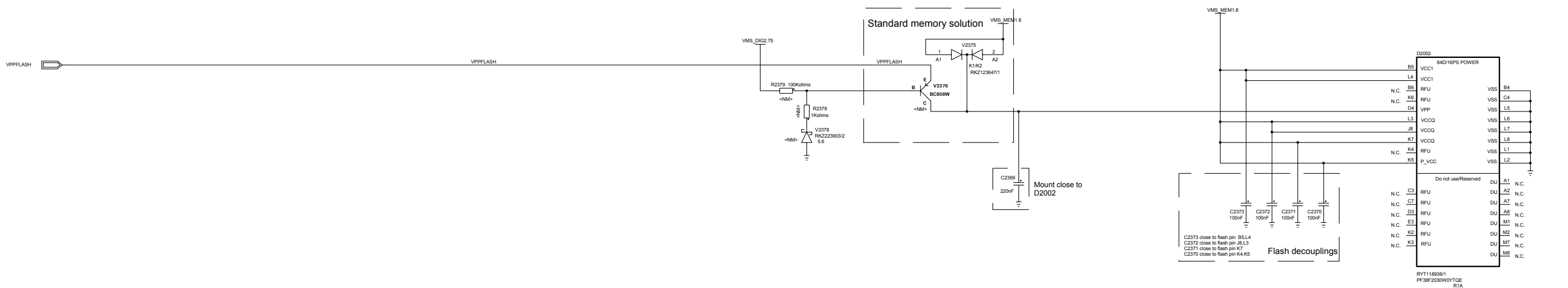


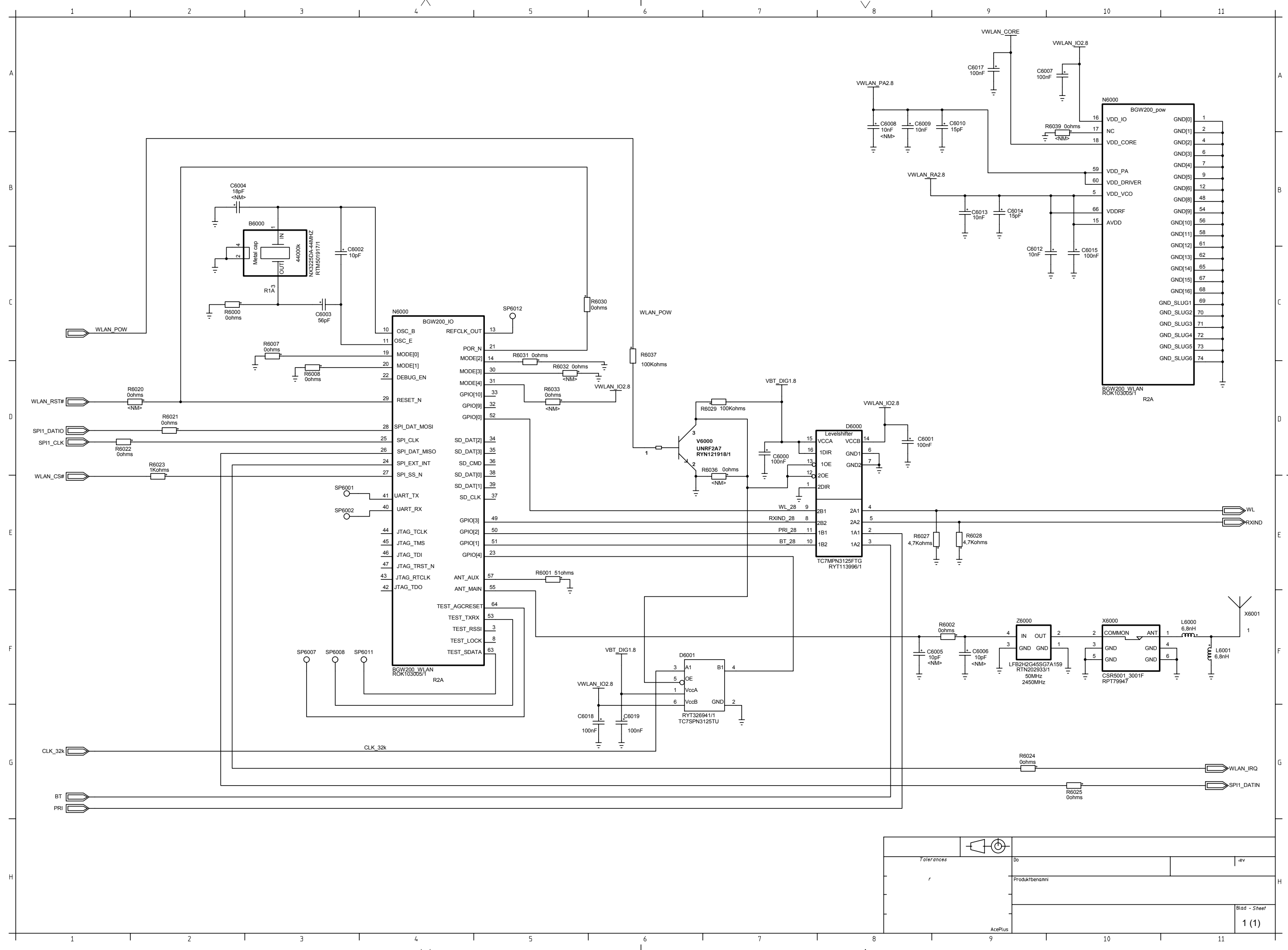
LZF 030 101/F RB1



Tolerances	Do	ev
r	Productname	
	AcqPlus	
	Blod - Sheer	4 (5)

LZF 030 101/F RB1





Tolerances		Do		ev	
r		Produktbenannt			
		Blad - Sheet		1 (1)	

LZF 030 102/F RB