



Part List

Applicable for P990i

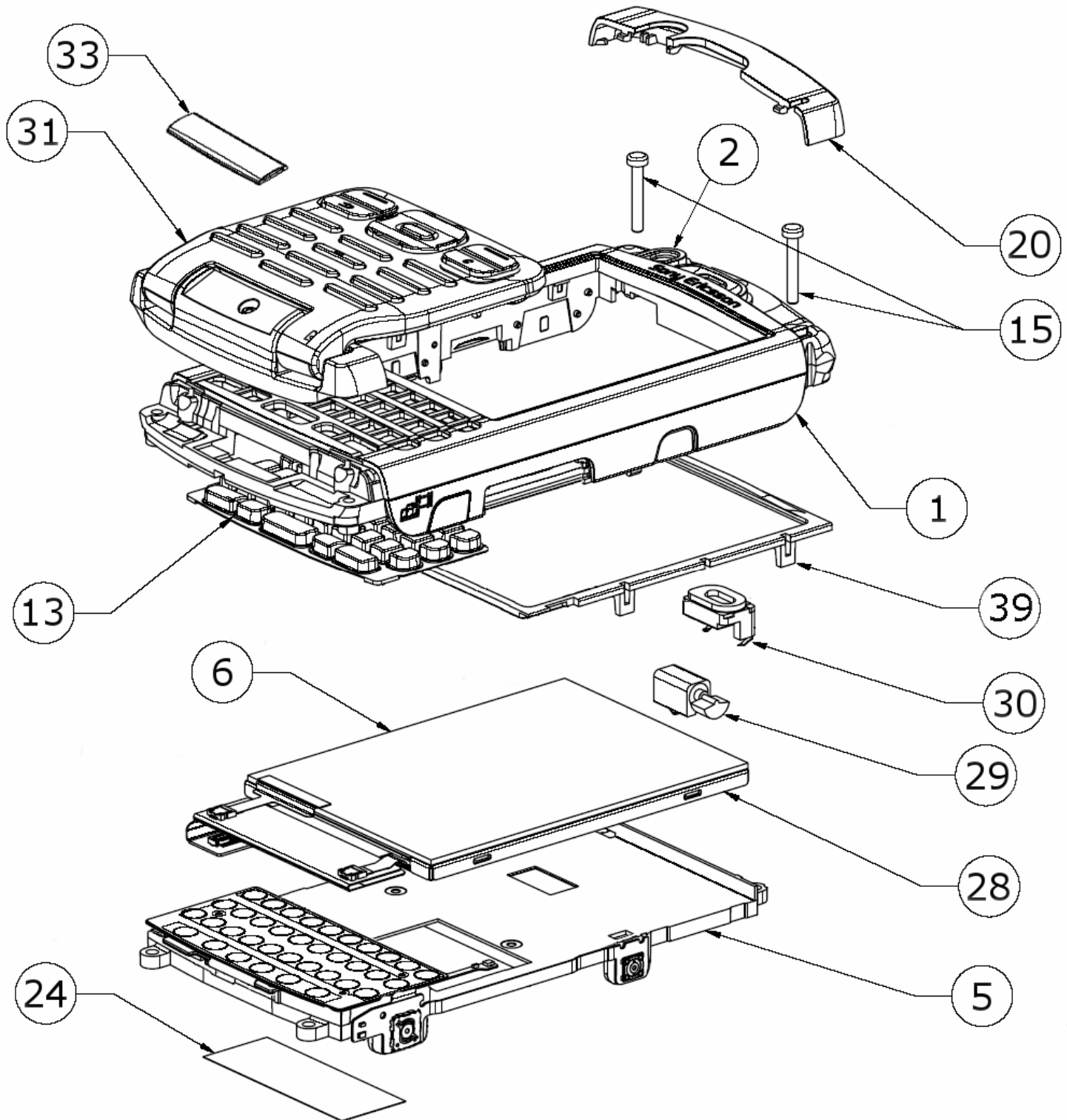
Contents

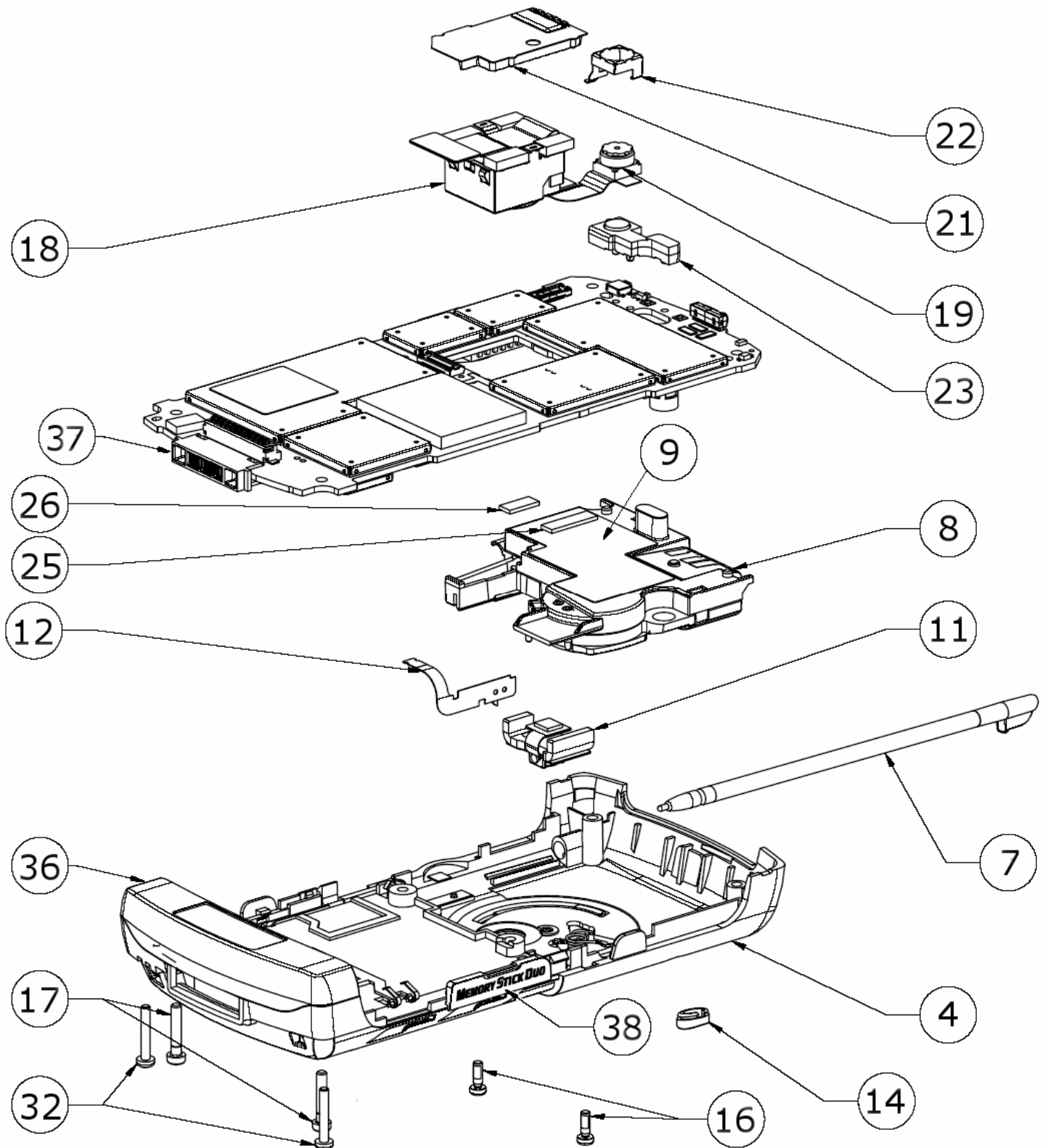
1	Exploded view	2
1.1	Exploded view phone	2
2	Part List.....	6
2.1	Part list phone	6
3	Label Part List.....	7
4	Revision History.....	8

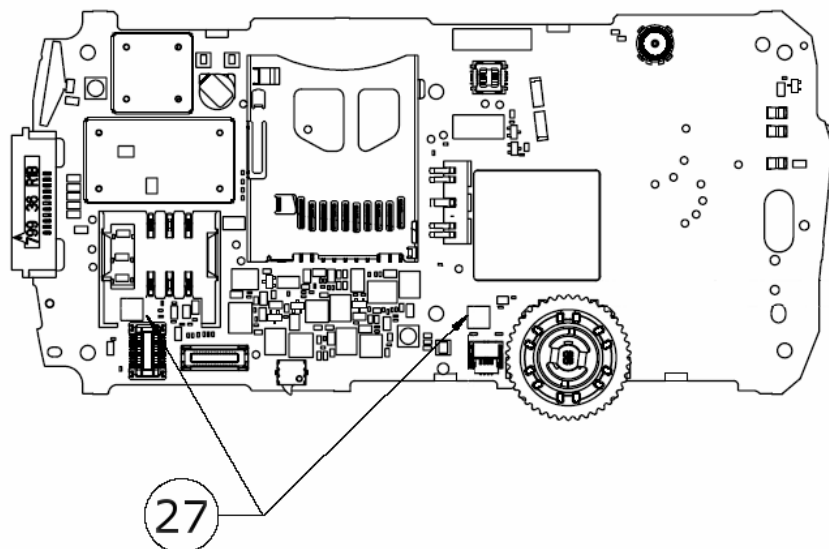
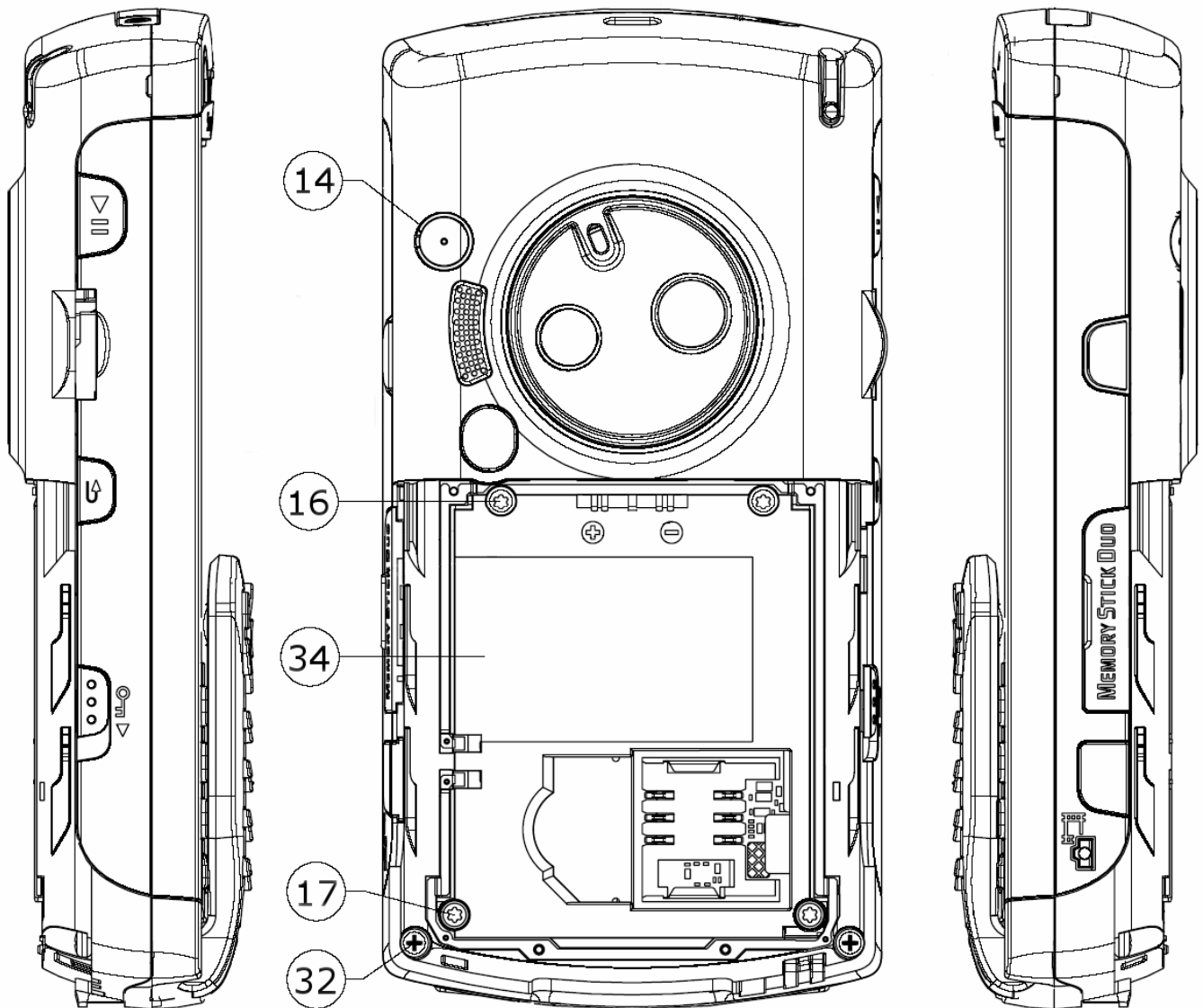


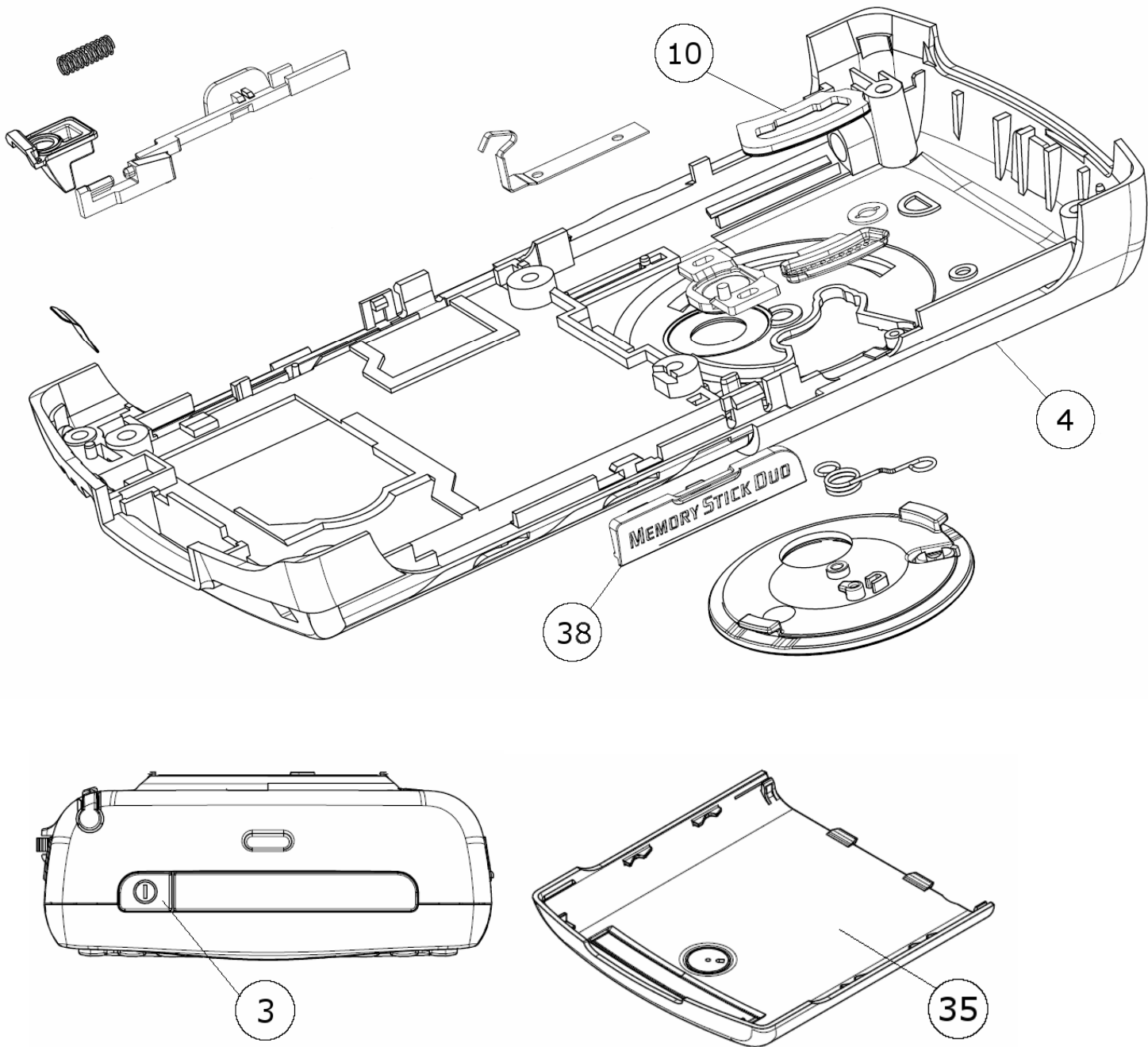
1 Exploded view

1.1 Exploded view phone














2 Part List

2.1 Part list phone

This Part List includes all parts possible to replace by using the Mechanical Repair Process. Parts available to order will be found in the Web Shop.
Pos. number refers to the Exploded View.

Pos.	Description	Part Number	Comments
1	CABINET UPPER SUB ASM	SXK 104 0165	
2	CAMERA BEZEL ASM	SXK 104 0194	
3	POWER KEY	SXA 109 5009	
4	CABINET LOWER SUB ASM	SXK 104 0169	
5	LCD FRAME + Keyboard, Flex Asm	SXK 104 0241	
6	TOUCH PANEL ASSY	SXK 104 0238	
7	STYLUS ASM	SXK 104 0214	
8	ANTENNA/ACOUSTIC ASM	SXK 104 0173	
9	BOX, TAPE	SXA 109 5742	Mounted on ANTENNA/ACOUSTIC ASM, not as separate part.
10	DUST COVER	SXA 109 5915	
11	FLASH FLEX ASM	SXK 104 0196	
12	FLEX FILM, CAMERA COVER SWITCH	ROA 219 5789	
13	KEYBOARD QWERTY	SXA 109 5002/1	
14	EXT.ANTENNA CAP	SXA 109 5102	
15	SCREW/TOP/1.8x12.5	SXA 109 6176	
16	SCREW/M1,6x4,8	SXA 109 3952/2	
17	SCREW/1,8x9,5	SXA 109 6168	
18	CAMERA, 2M PIXEL	KNC 201 38	
19	CAMERA MODULE, VGA	KNC 201 21	
20	BEZEL TOP	SXA 109 5113	
21	SHIELDING BOX, MPIXEL CAMERA	SXA 109 5908	
22	SHIELD BOX VGA CAMERA	SXA 109 5635	
23	VGA SUPPORT ASM	SXK 104 0195	
24	ISOLATION TAPE	SXA 109 5889	
25	HEAT, CONDUCTIVE 5,7x1,5 mm	SXA 109 5912	
26	HEAT, CONDUCTIVE 5,7x1,5 mm	SXA 109 5912	
27	LIQUID INTRUSION INDICATOR	SXA 109 4884	
28	LCD	RNH 801 07	
29	VIBRATION (Shicoh)	BKE 902 019/14	
30	EAR SPEAKER	RLE 117 10	
31	FLIP ASM, LATIN	SXK 104 0171/1	
31	FLIP ASM, CHINA	SXK 104 0171/2	
31	FLIP ASM, TAIWAN	SXK 104 0171/3	
31	FLIP ASM, CYRILLIC	SXK 104 0171/4	
32	SCREW M1,6x10	SXA 109 5794	
	Adhesive	SXA 109 6099	Adhesive for Co-brand plate Flip
33	CO-BRANDING PLATE FLIP, ORANGE	SXA 109 5510/1	
33	CO-BRANDING PLATE FLIP, TIM	SXA 109 5510/2	
33	CO-BRANDING PLATE FLIP, VODAFONE	SXA 109 5510/3	
33	Co-brand. plate flip, T-MOBILE	SXA 109 5510/4	



Pos.	Description	Part Number	Comments
33	Co-branding plate flip, TRE	SXA 109 5510/5	
33	FLIP GENERIC BRANDING P990c	SXA 109 5510/7	
33	Co-brand. plate flip, MOBILKOM	SXA 109 5510/8	
33	Co-brand. plate flip, SWISSCOM	SXA 109 5510/9	
33	Co-brand. plate flip, SFR	SXA 109 5510/10	
33	Co-brand. plate flip, PROXIMUS	SXA 109 5510/11	
34	LABEL PRODUCT	SVF 930 863	
35	BATTERY LID ASM	SXK 104 0168/10	With pressure pad
36	BEZEL REPLACEMENT ASM/P990i	SXK 109 6576	
	BEZEL REPLACEMENT ASM/ORANGE	SXK 109 6576/1	
	BEZEL REPLACEMENT ASM/TIM	SXK 109 6576/2	
	BEZEL REPLACEMENT ASM/VODAFONE	SXK 109 6576/3	
	BEZEL REPLACEMENT ASM/T-MOBILE	SXK 109 6576/4	
	BEZEL REPLACEMENT ASM/TRE	SXK 109 6576/6	
	BEZEL REPLACEMENT ASM/P990c	SXK 109 6576/7	
	BEZEL REPLACEMENT ASM/MOBILKOM	SXK 109 6576/8	
	BEZEL REPLACEMENT ASM/SWISSCOM	SXK 109 6576/9	
	BEZEL REPLACEMENT ASM/SFR	SXK 109 6576/10	
	BEZEL REPLACEMENT ASM/PROXIMUS	SXK 109 6576/11	
37	SYSTEM CONNECTOR	RNV 799 36	
38	MEMORY STICK COVER	SXA 109 5003	
39	LCD GASKET	SXA 109 5103	
	CO-BRAND STICKER	SXA 109 5593	 On Internet key
	Co-brand sticker, Orange	SXA 109 5593/1	 On Internet key
	Co-brand sticker, VODAFONE	SXA 109 5593/3	 On Internet key

3 Label Part List

Pos.	Description	Part Number	Comments
34	KRH Label	SVF 930 863	
	Printer Ribbon	LZK 102 734/1	



4 Revision History

Rev.	Date	Changes / Comments
A	2006-07-07	Initial release
B	2006-09-05	Removed parts SXX 104 0171/5, SXX 104 0171/6, SXX 104 0171/7
C	2006-10-30	Added variant of battery lid (SXX1040168/10) with pressure pad
D	2007-02-08	Changed Part number CAMERA, 2M PIXEL- KNC 20138,, Added adhesive for Co-brand Plate Flip,, Added Co-brand sticker (internet key)