

10 CIRCUIT DIAGRAMS

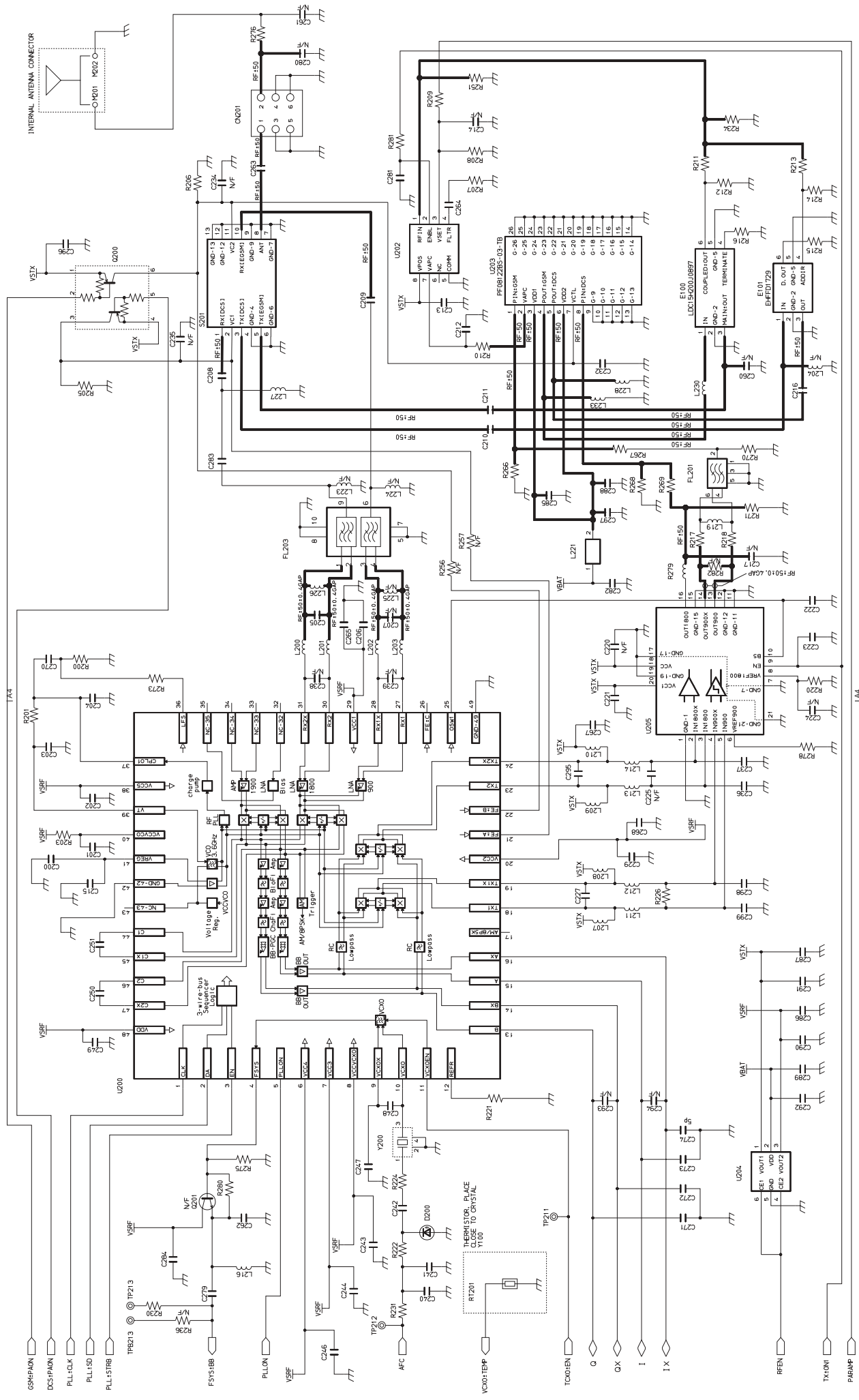


Figure 10.1: Circuit Diagram - RF

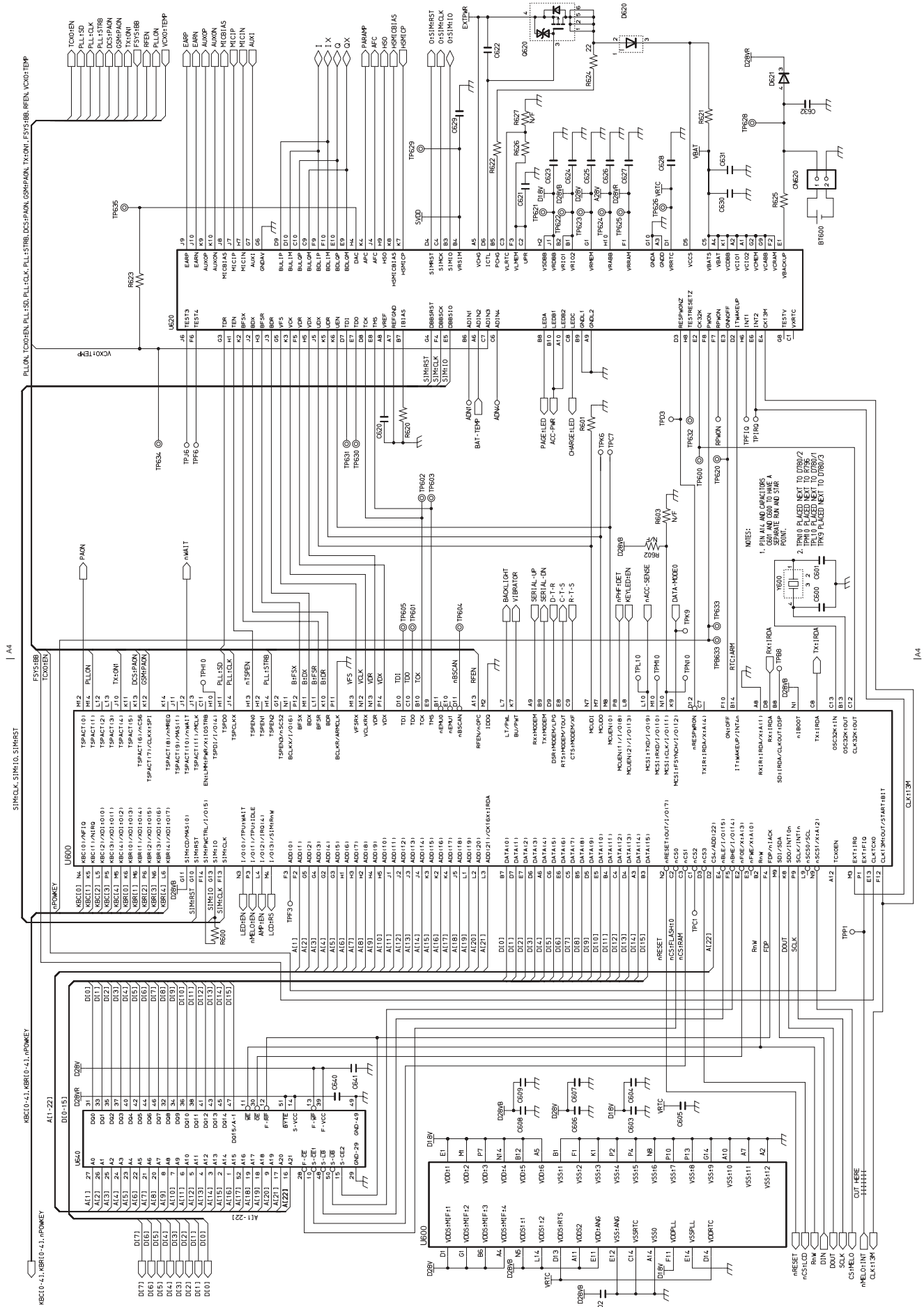


Figure 10.2: Circuit Diagram - Baseband

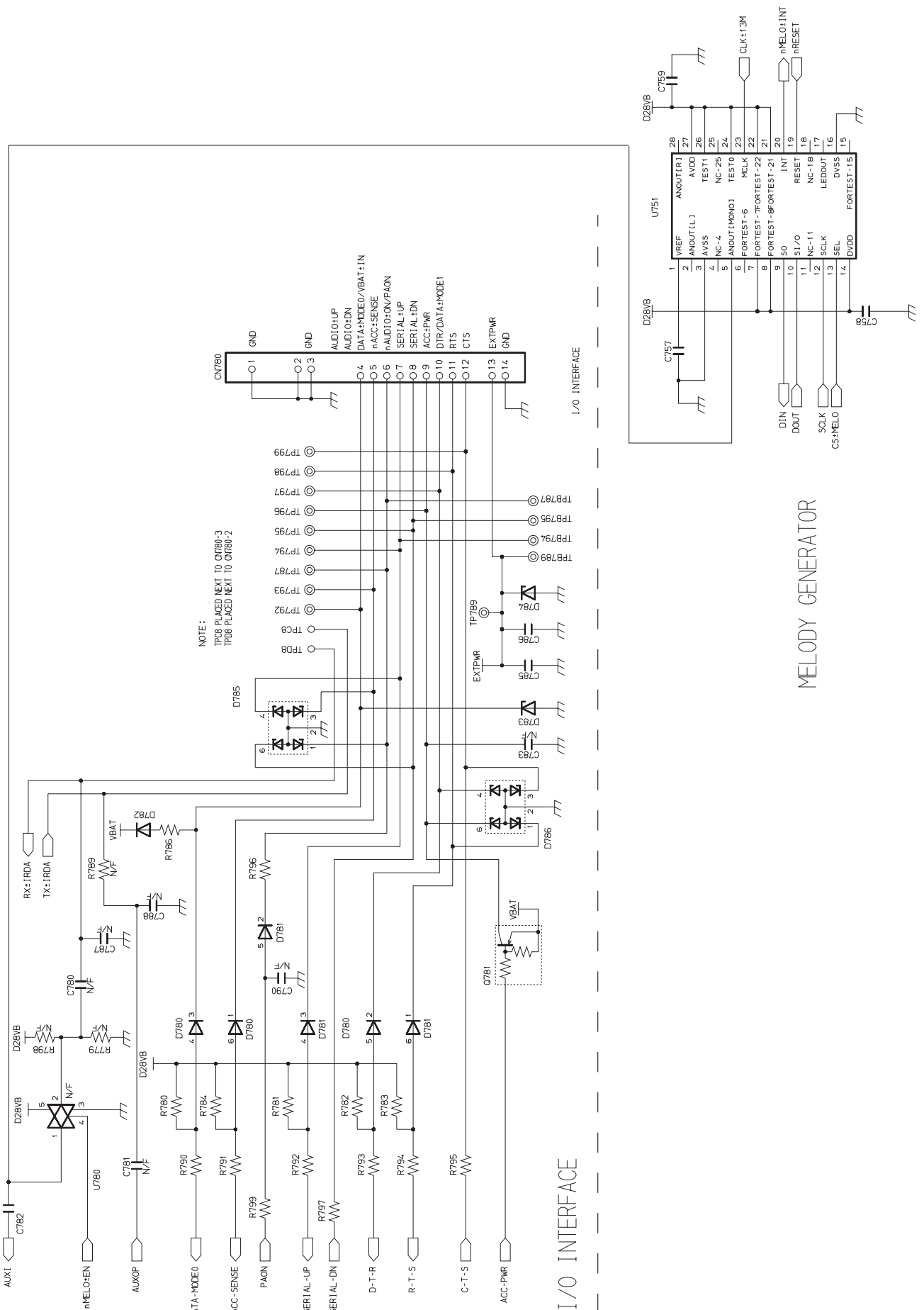
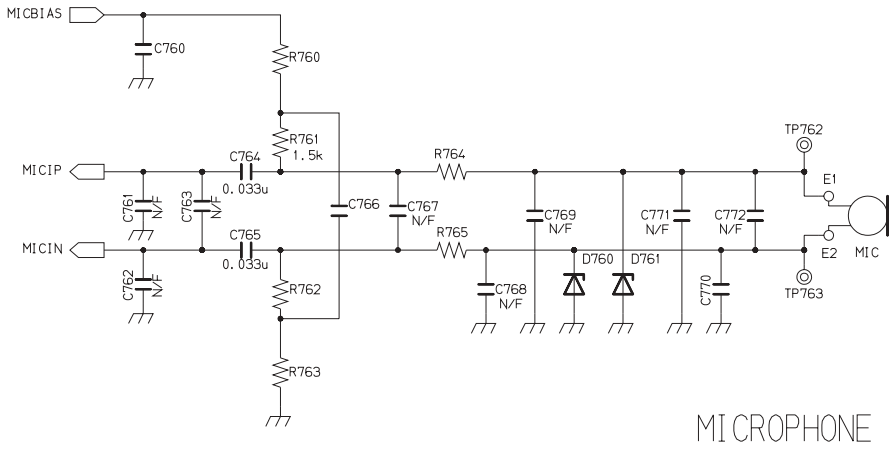
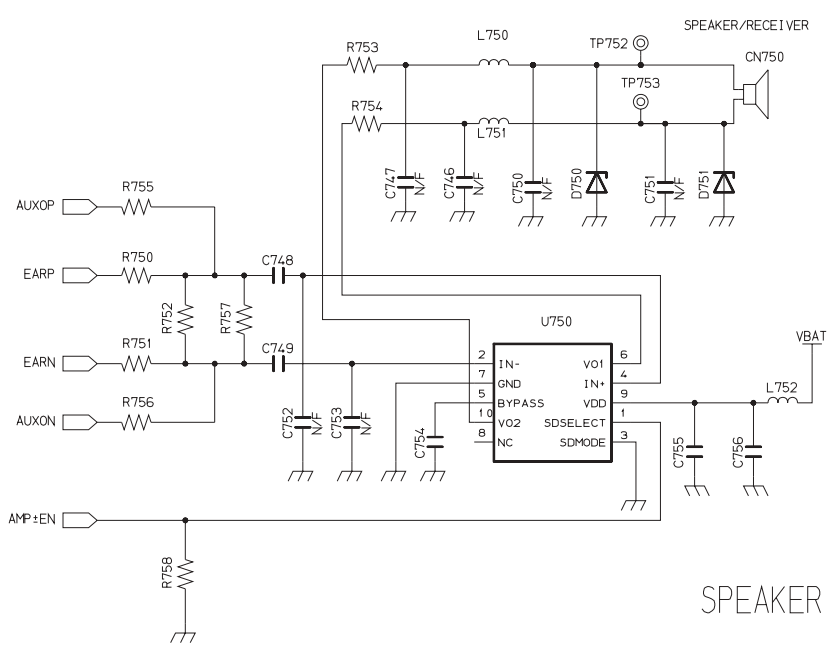


Figure 10.3: Circuit Diagram - I/O Interface and Melody Generator

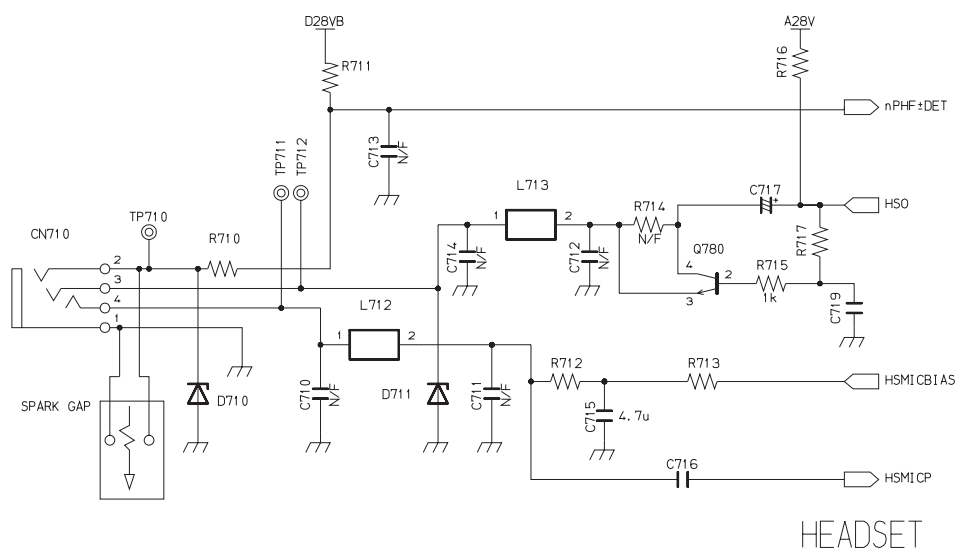
CIRCUIT DIAGRAMS



MICPHONE



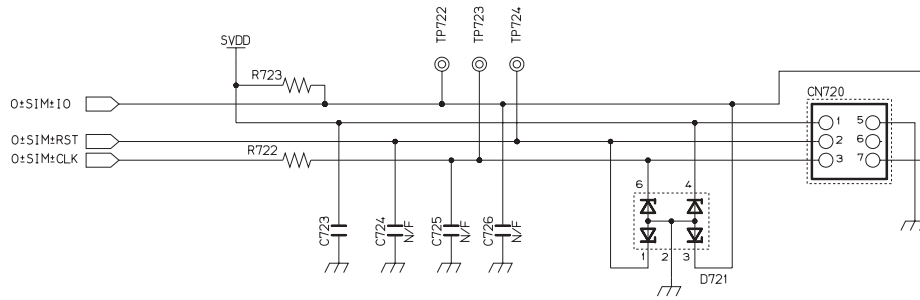
SPEAKER



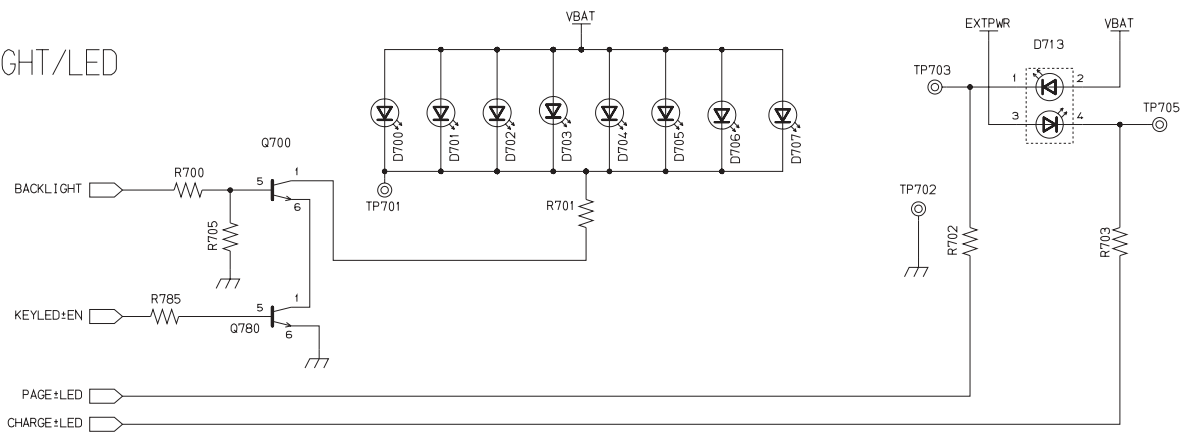
HEADSET

Figure 10.4: Circuit Diagram - Audio Interfaces

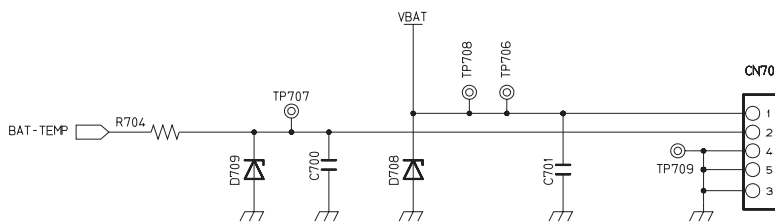
SIM



BACKLIGHT/LED



BATTERY CONNECTOR



VIBRATOR

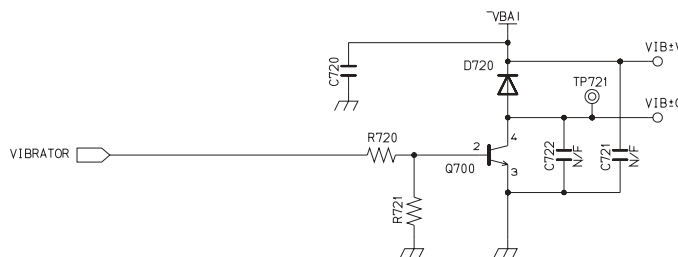
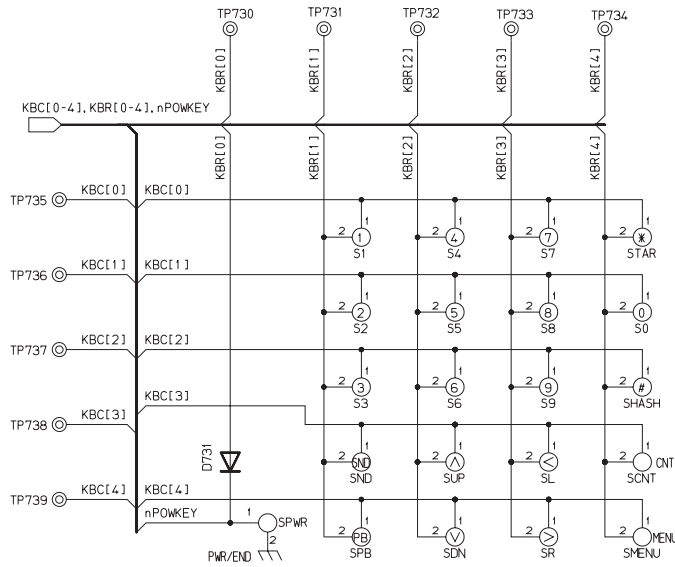


Figure 10.5: Circuit Diagram - Peripherals 1 of 2

KEYPAD



LCD INTERFACE

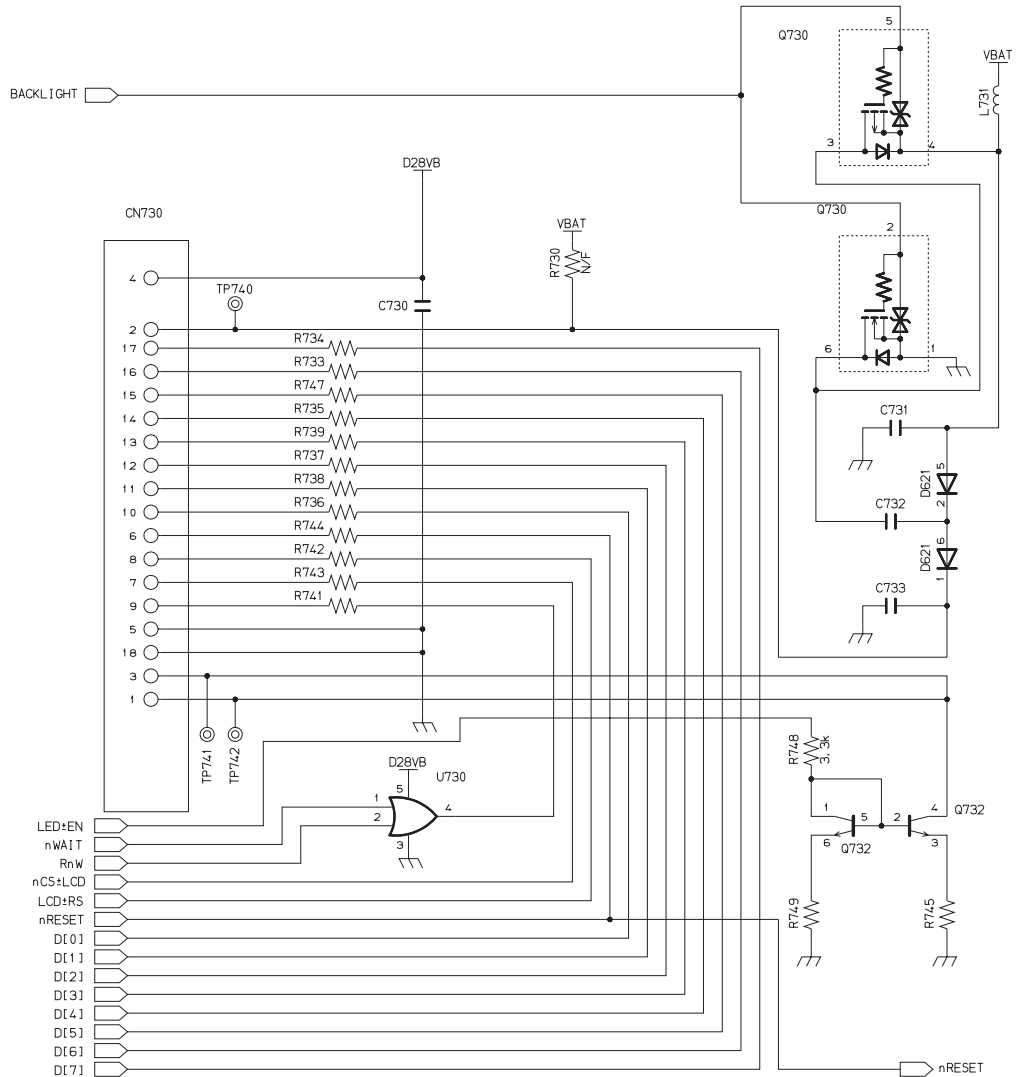


Figure 10.6: Circuit Diagram - Peripherals 2 of 2

11 LAYOUT DIAGRAMS

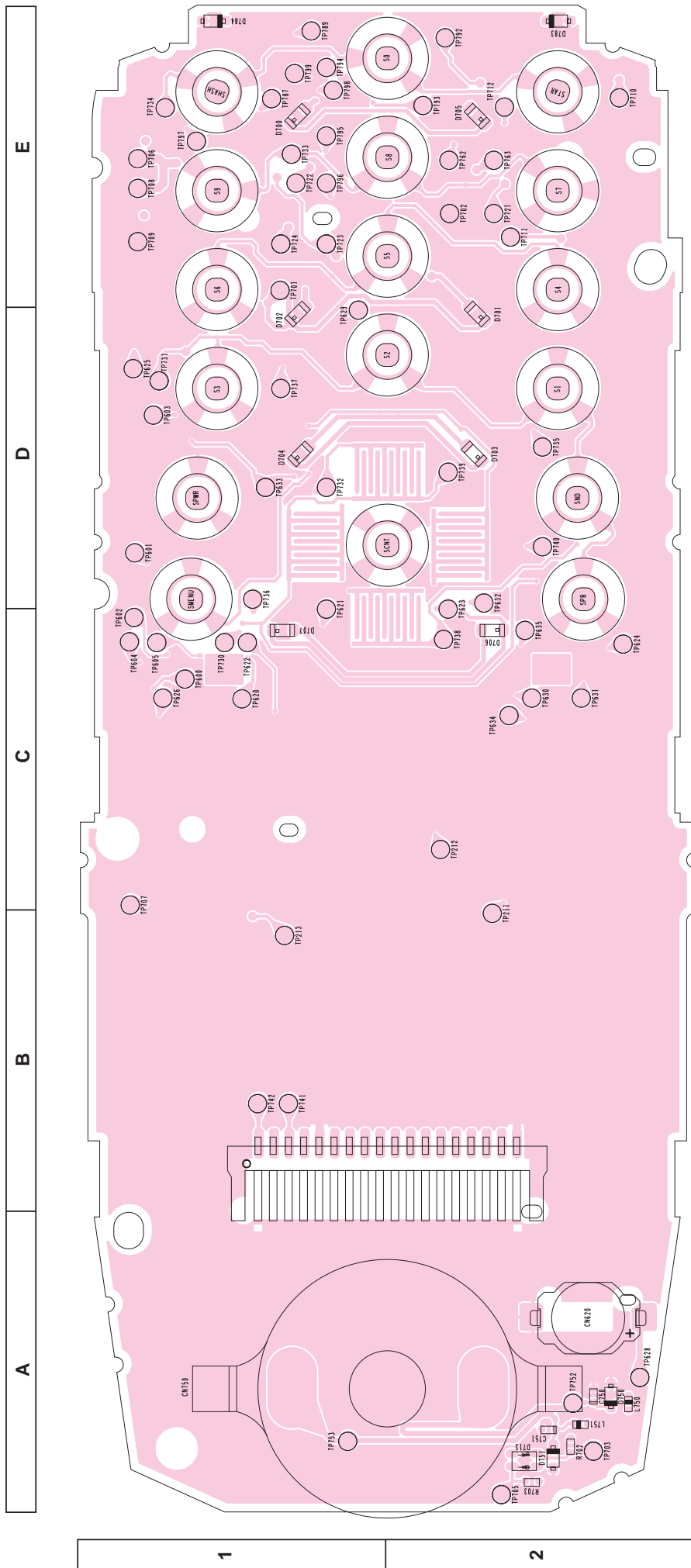


Figure 11.1: PCB Layout - Side A

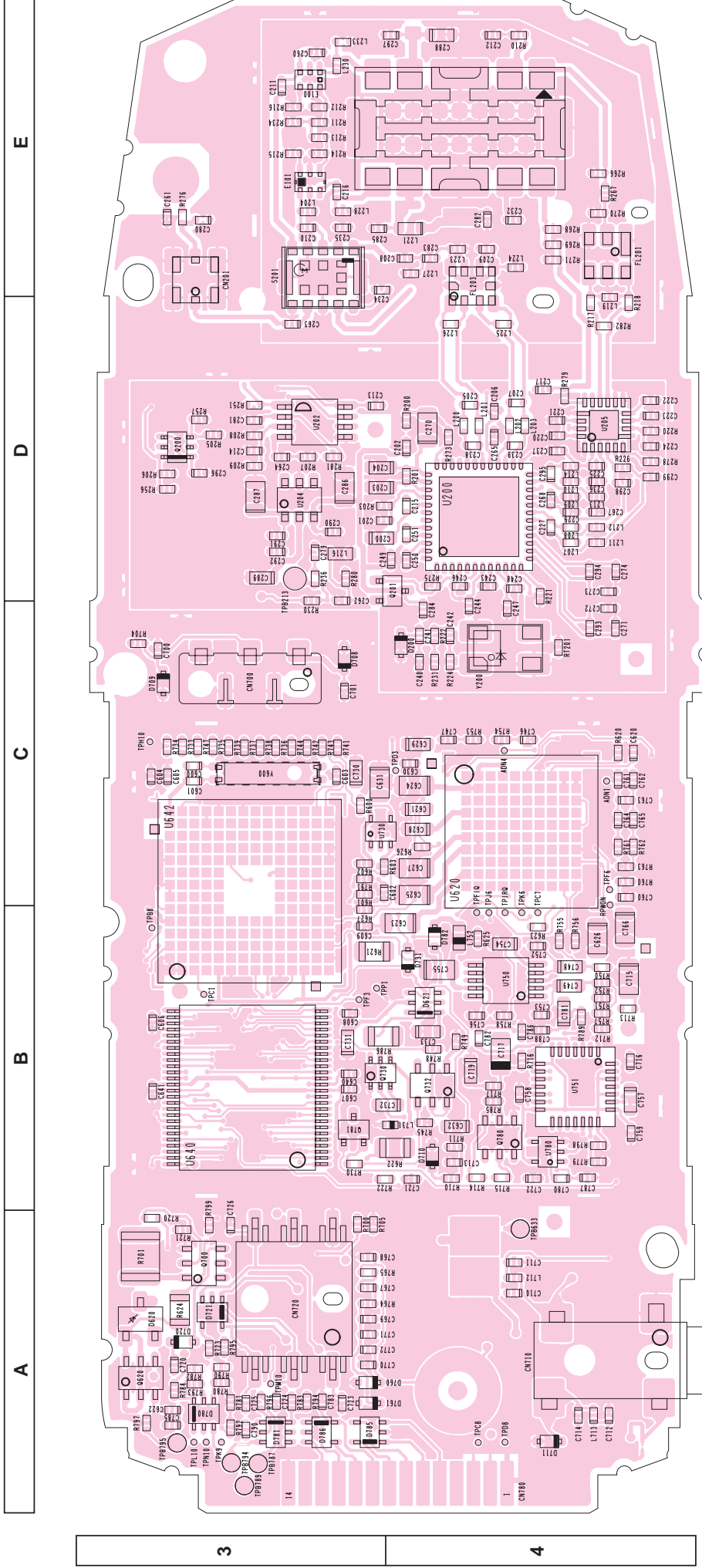


Figure 11.2: PCB Layout - Side B

10 CIRCUIT DIAGRAMS

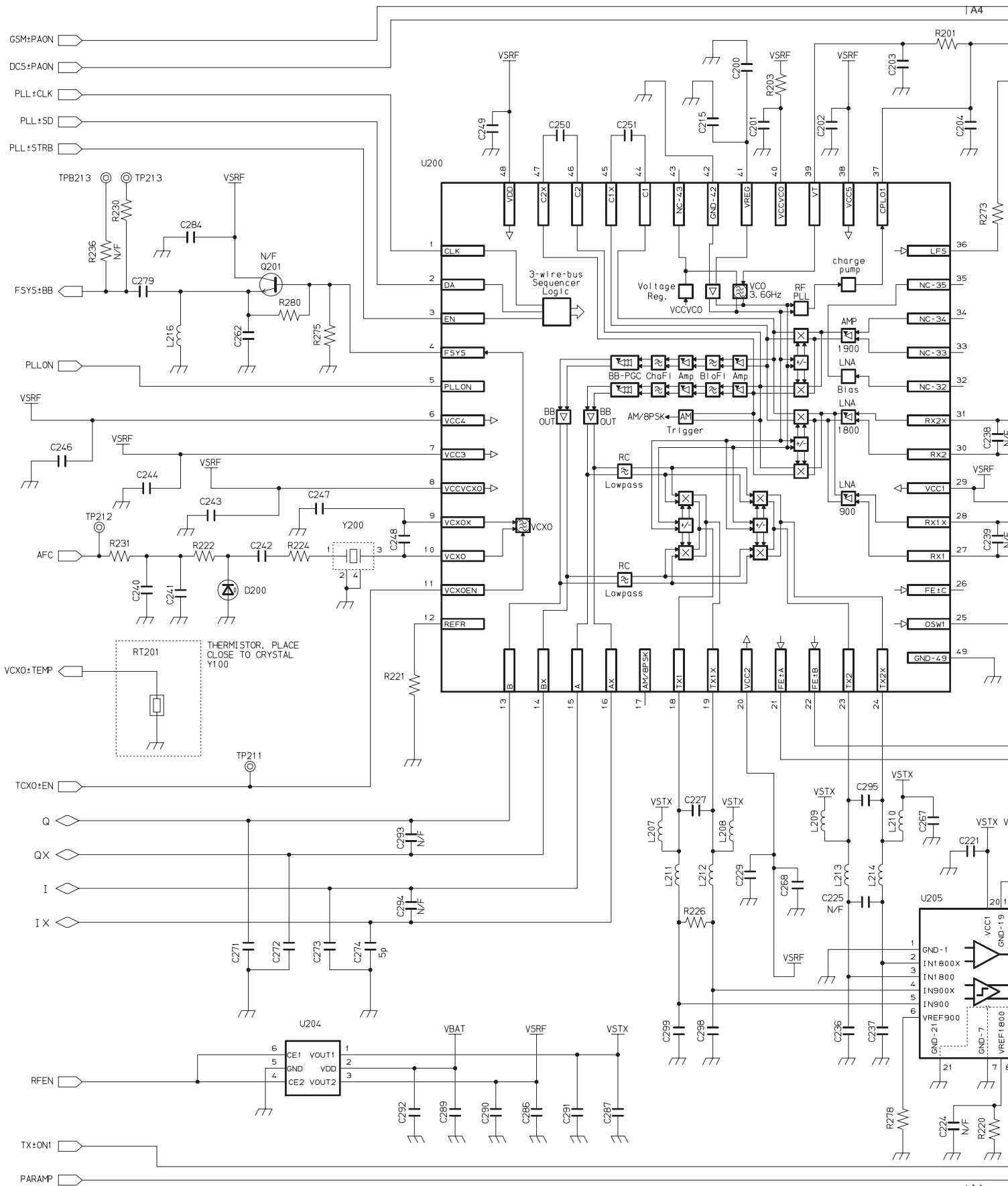
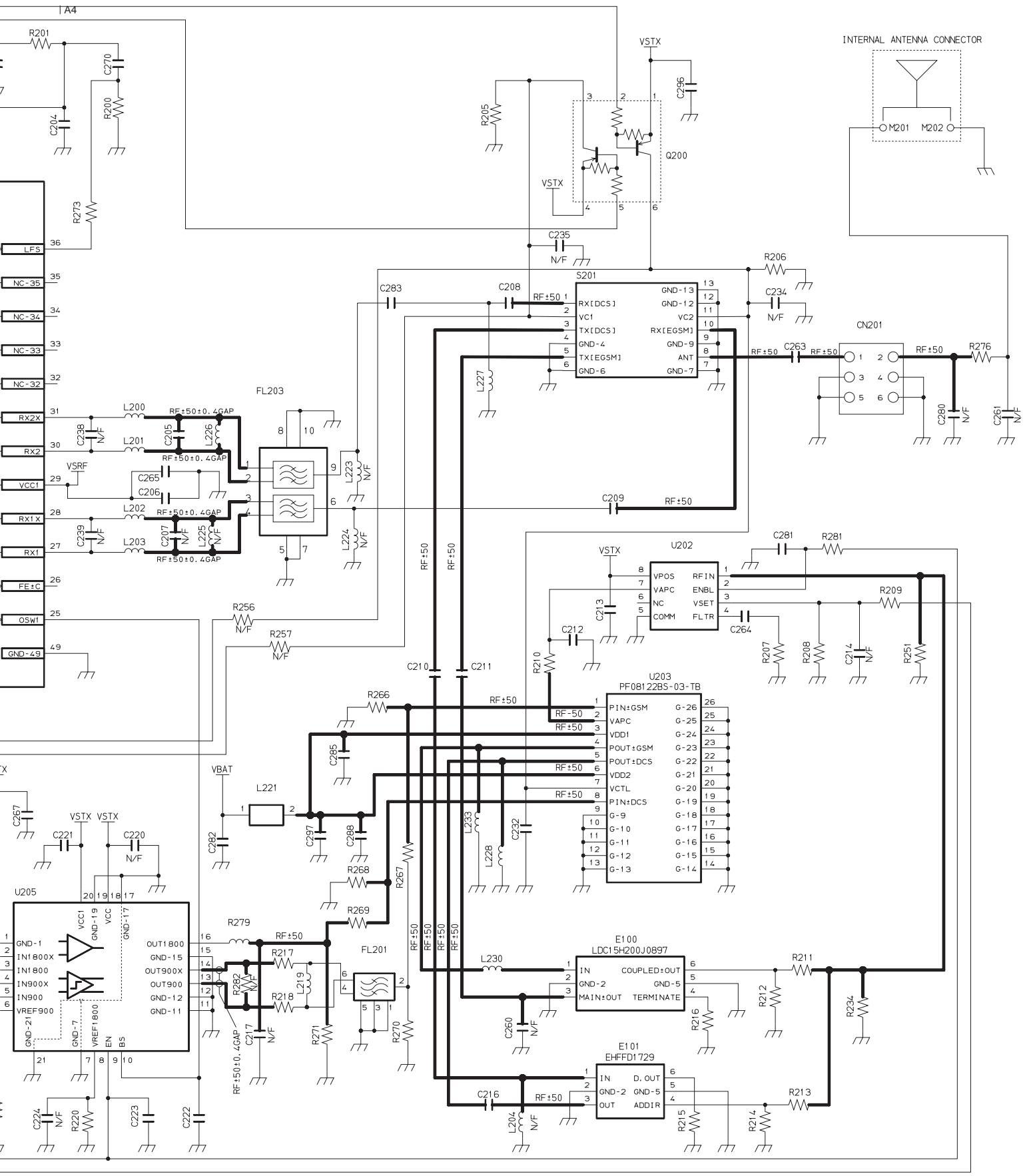


Figure 10.1: Circuit Diagram



0.1: Circuit Diagram - RF

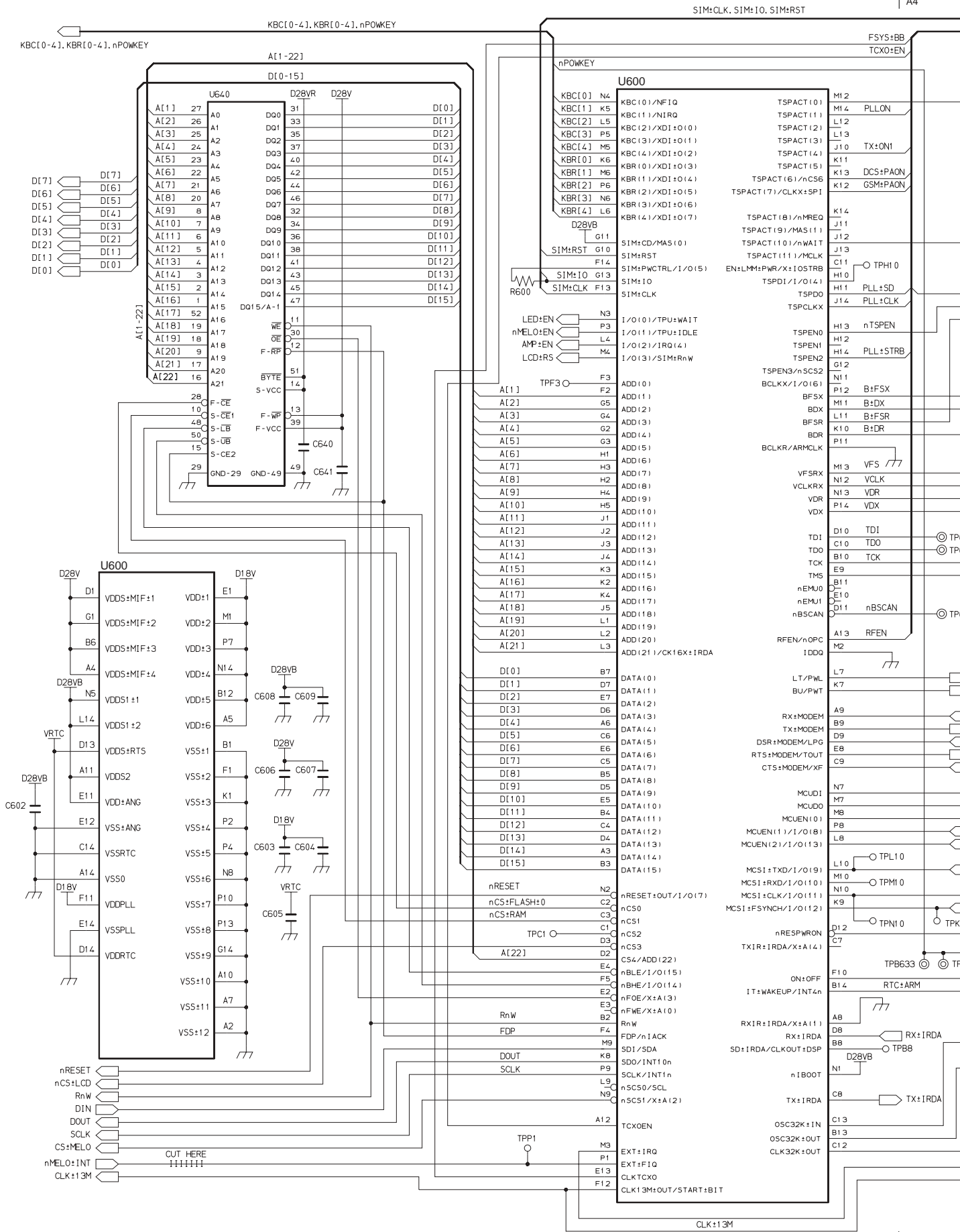
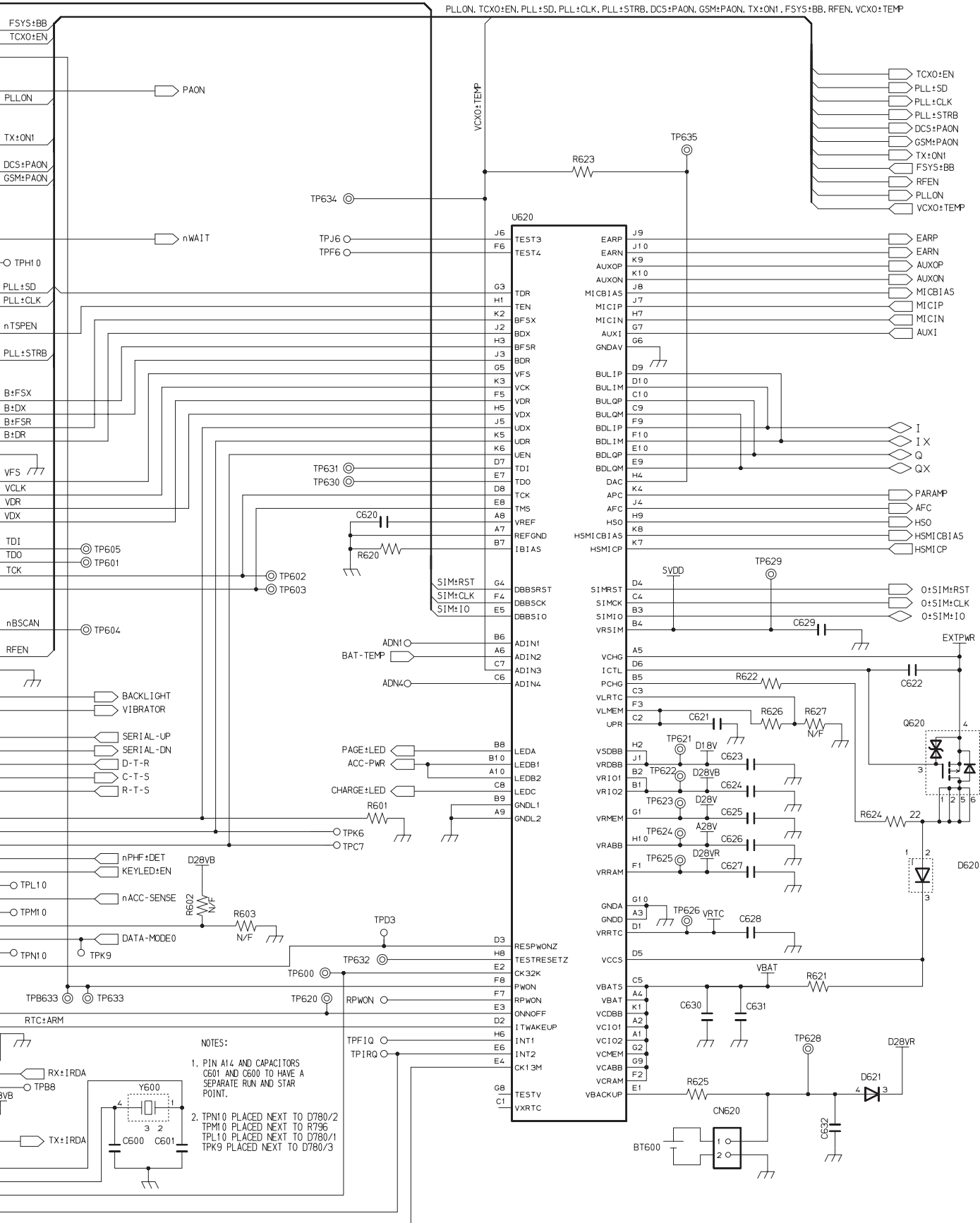


Figure 10.2: Circuit Diagram



NOTES:

- PIN A14 AND CAPACITORS C601 AND C600 TO HAVE A SEPARATE RUN AND STAR POINT.
- TPN10 PLACED NEXT TO D780/2
TPM10 PLACED NEXT TO R796
TPL10 PLACED NEXT TO D780/1
TPK9 PLACED NEXT TO D780/3