

# 11 CIRCUIT DIAGRAMS

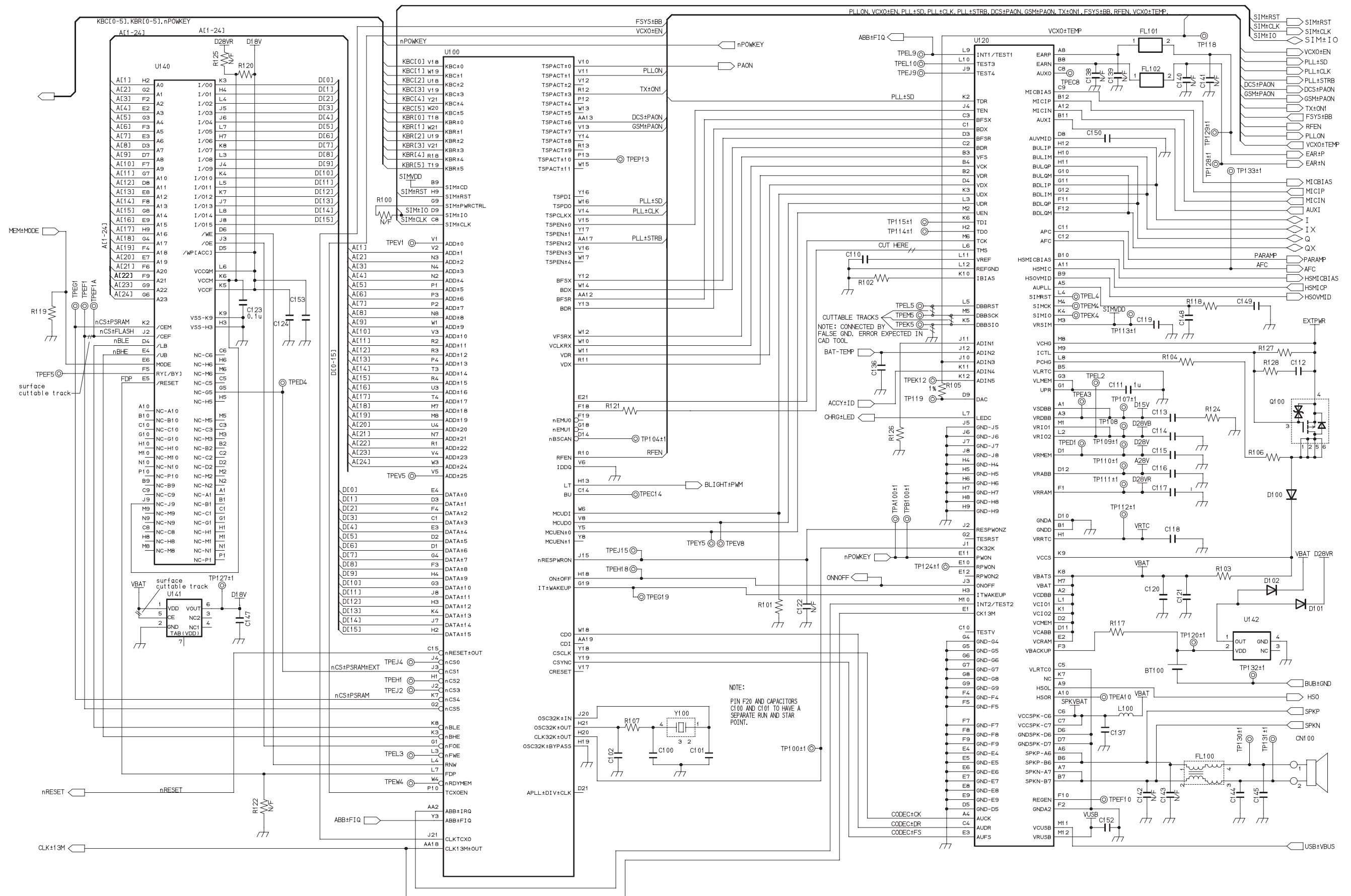


Figure 11.1: Circuit Diagram - Baseband (Sheet 1 of 2)

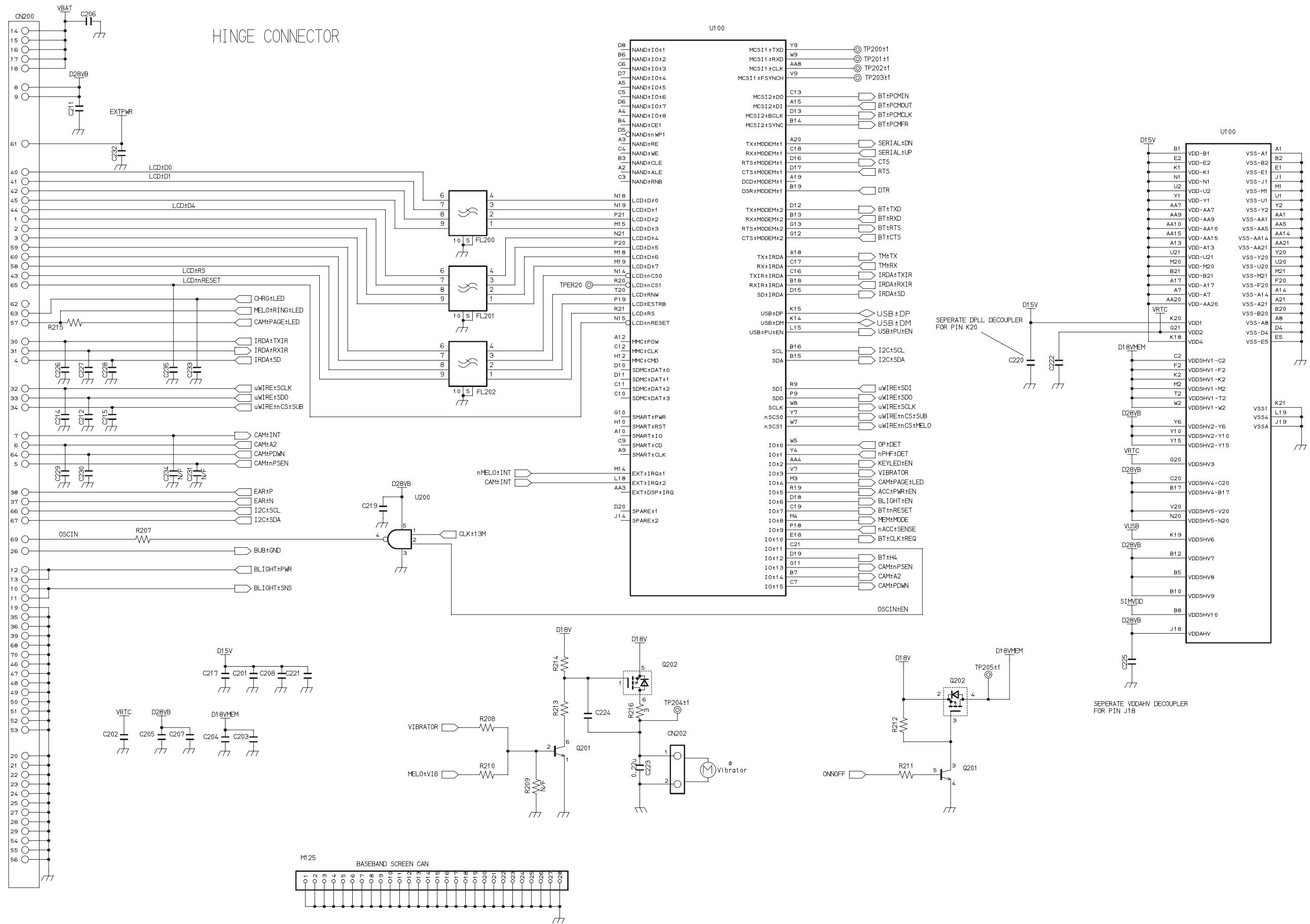


Figure 11.2: Circuit Diagram - Baseband (Sheet 2 of 2)

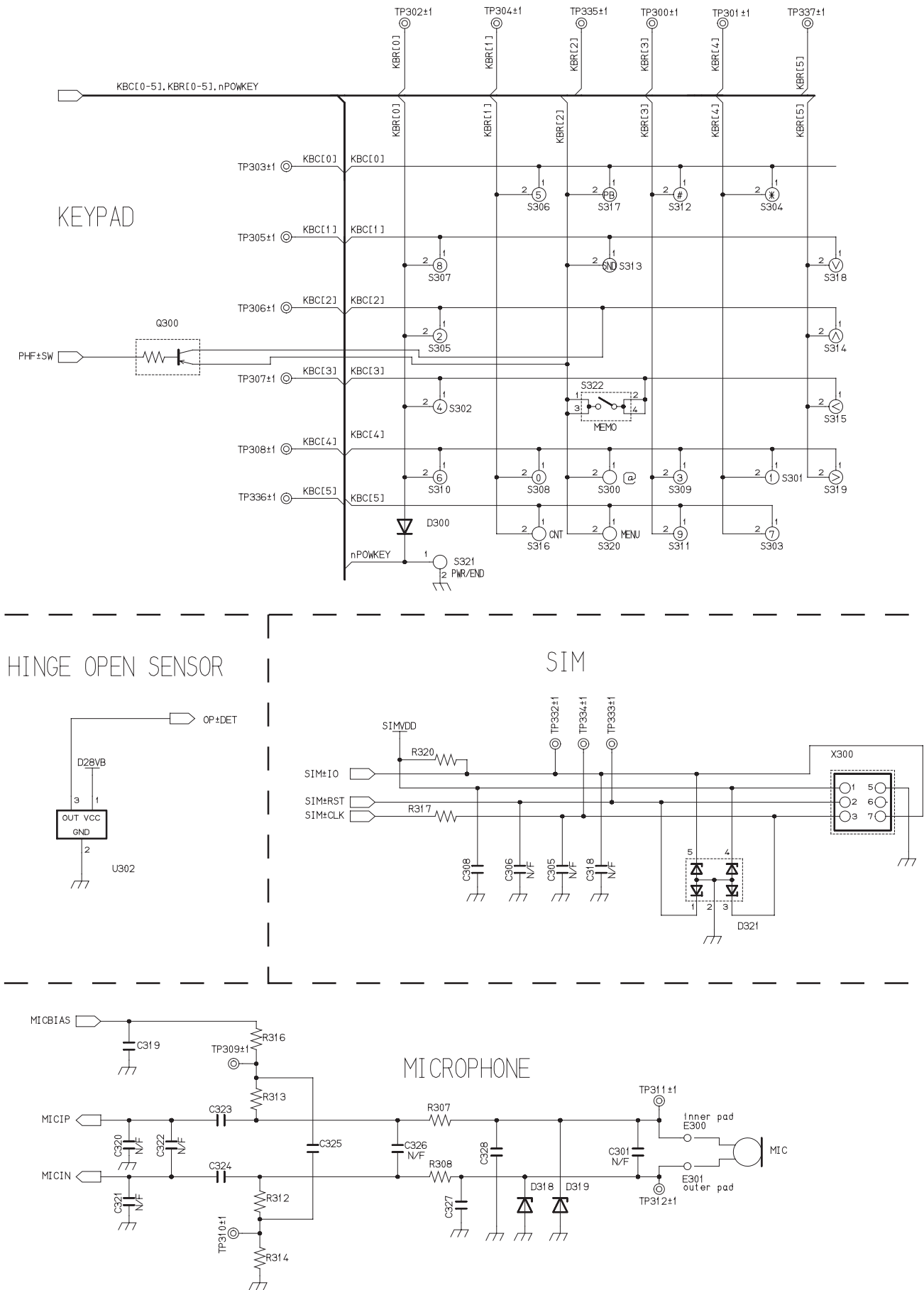
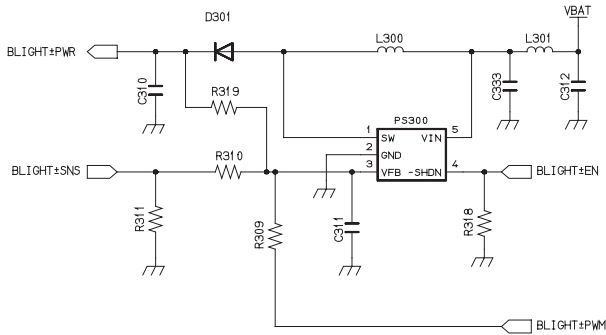
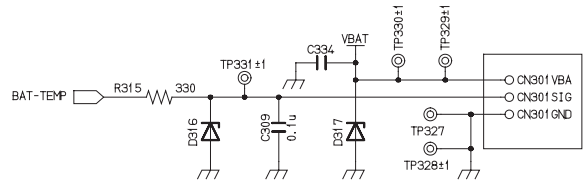


Figure 11.3: Circuit Diagram - Peripherals 1

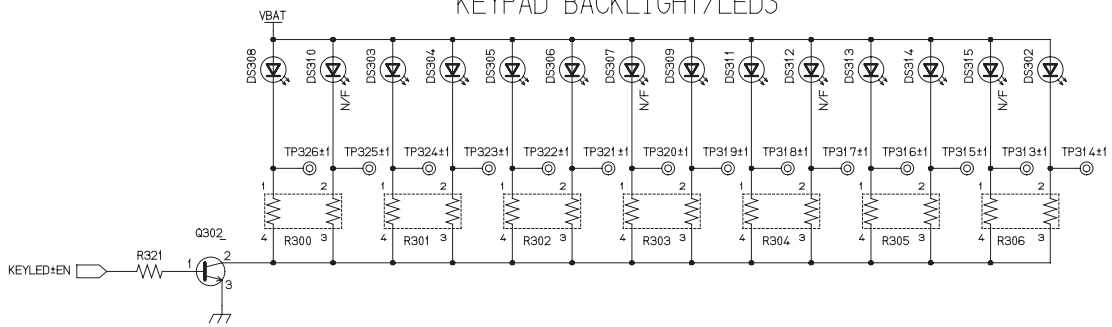
LCD BACKLIGHT DRIVER



BATTERY CONNECTOR



KEYPAD BACKLIGHT/LEDS



MELODY GENERATOR

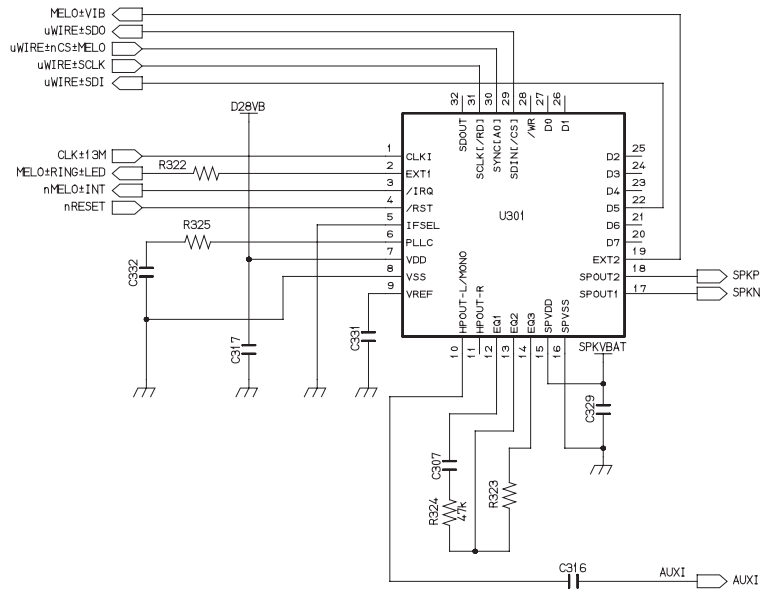


Figure 11.4: Circuit Diagram - Peripherals 2

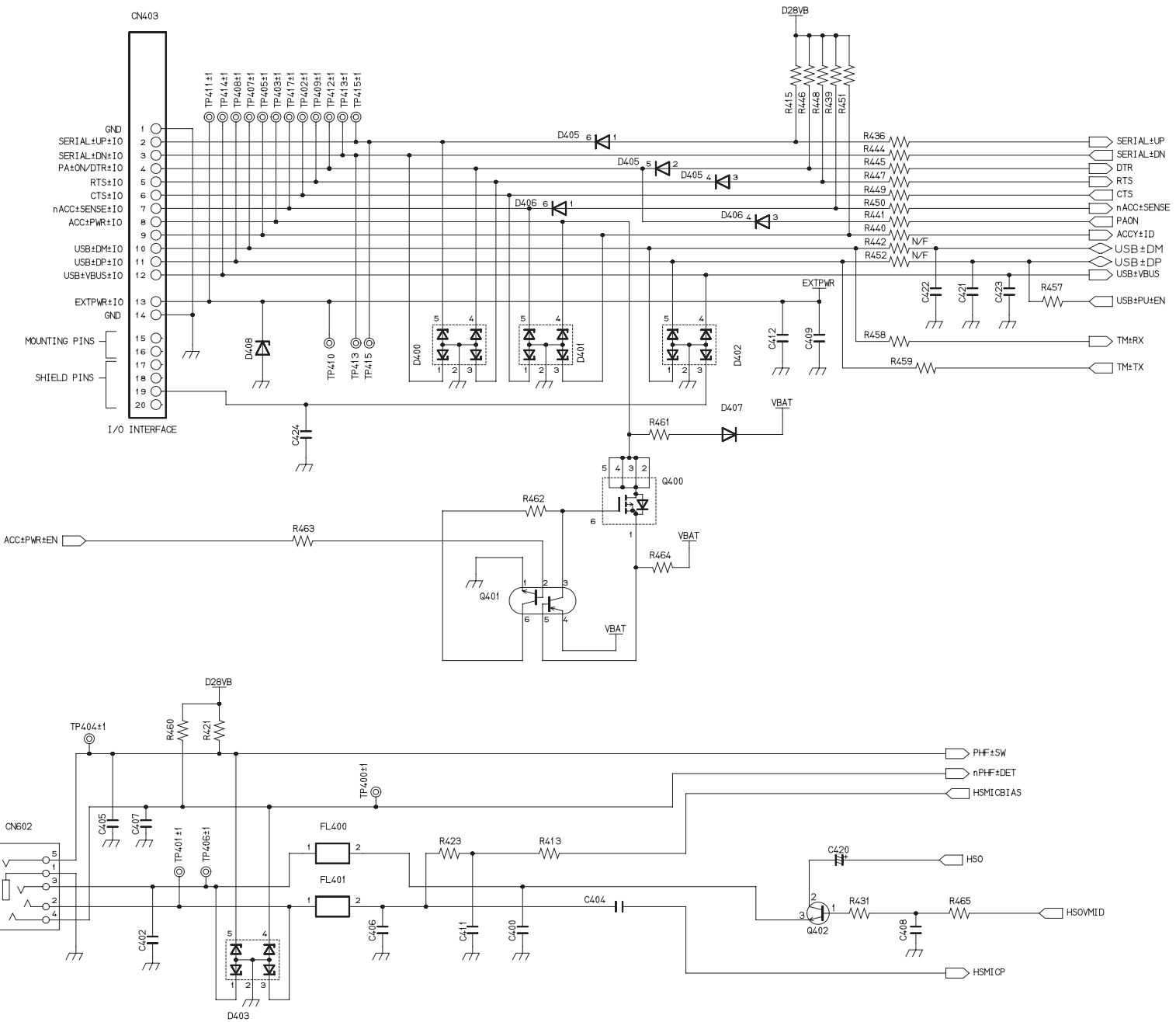


Figure 11.5: Circuit Diagram - I/O and PHF Connectors

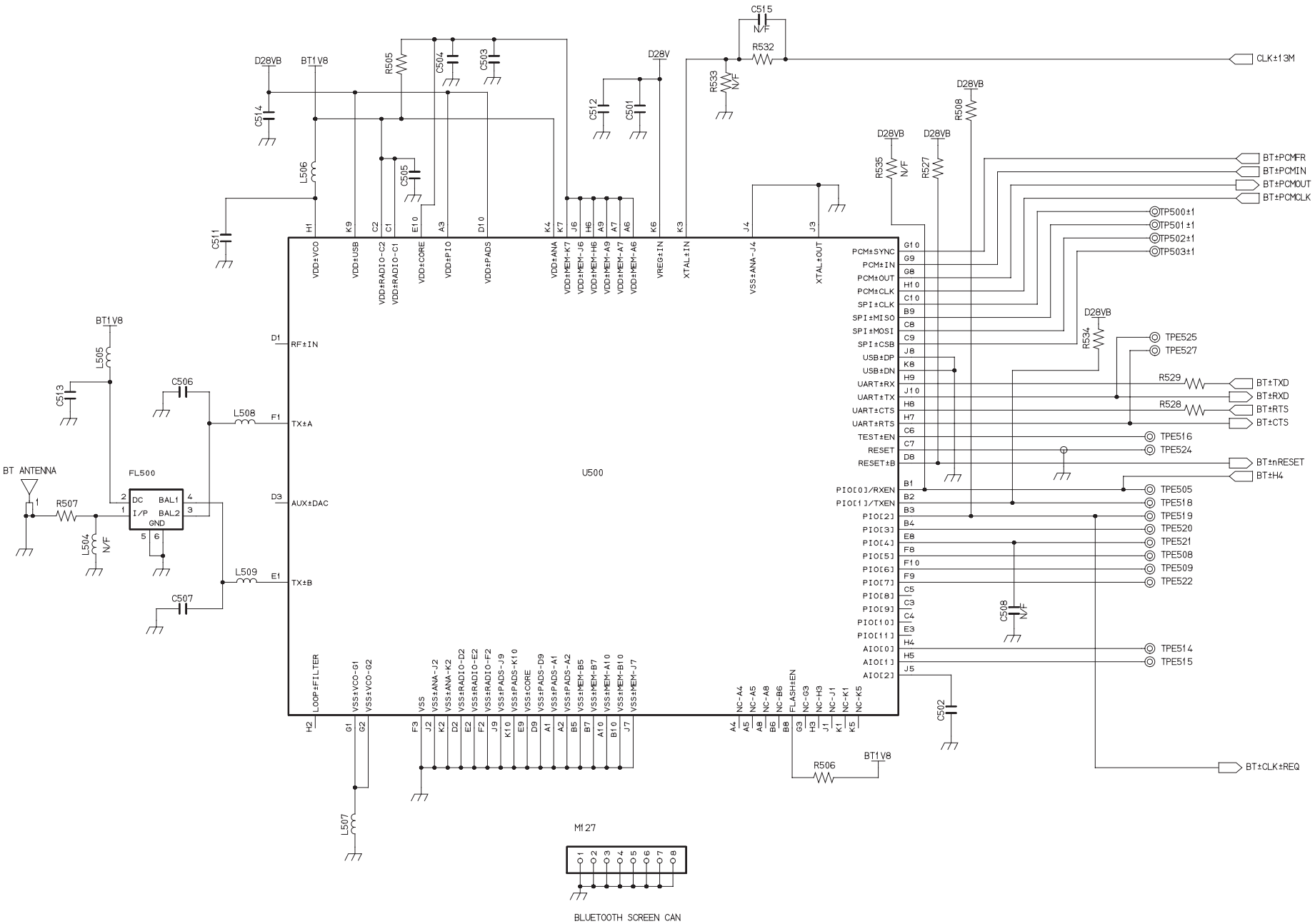


Figure 11.6: Circuit Diagram - Bluetooth Module

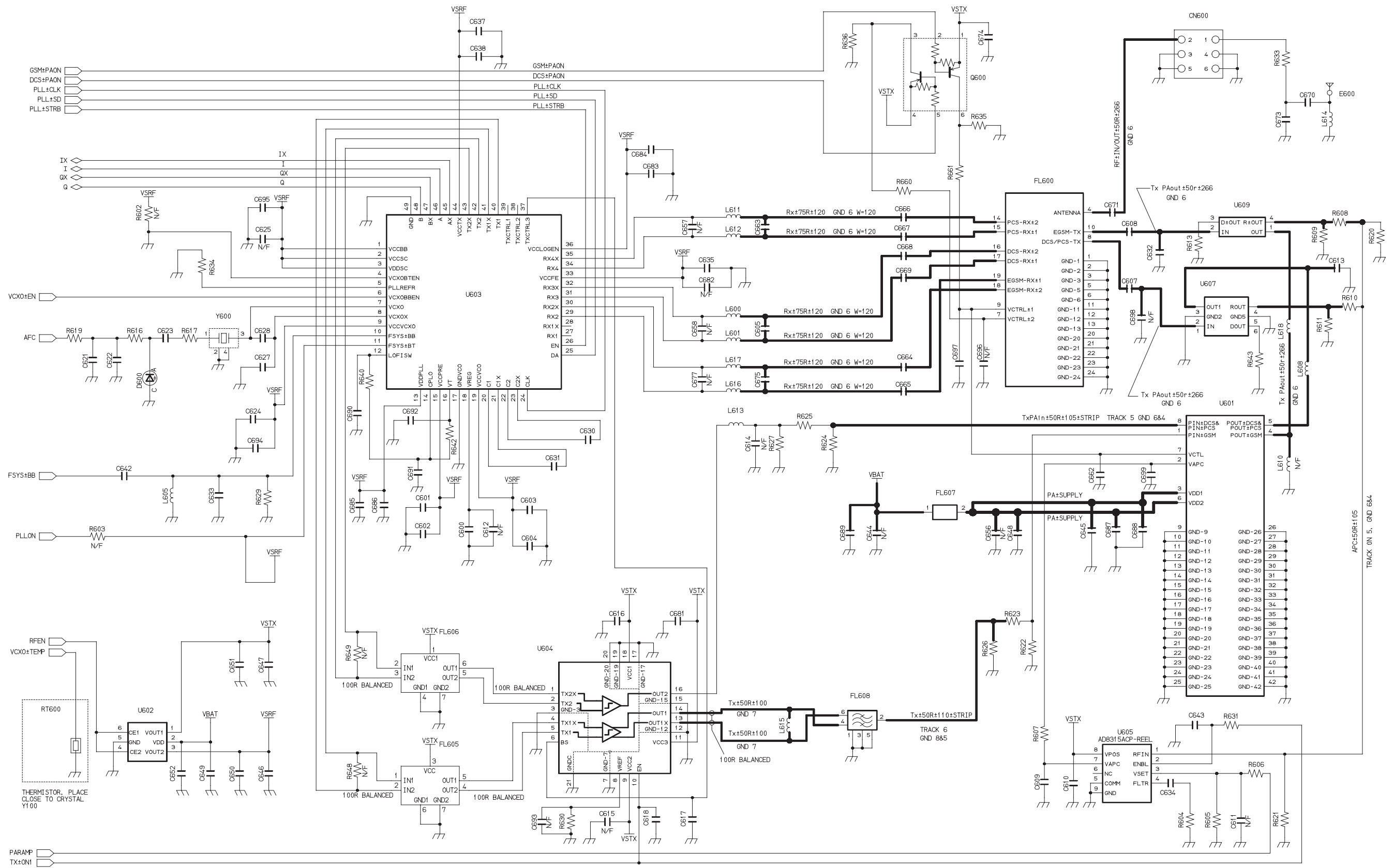


Figure 11.7: Circuit Diagram - RF

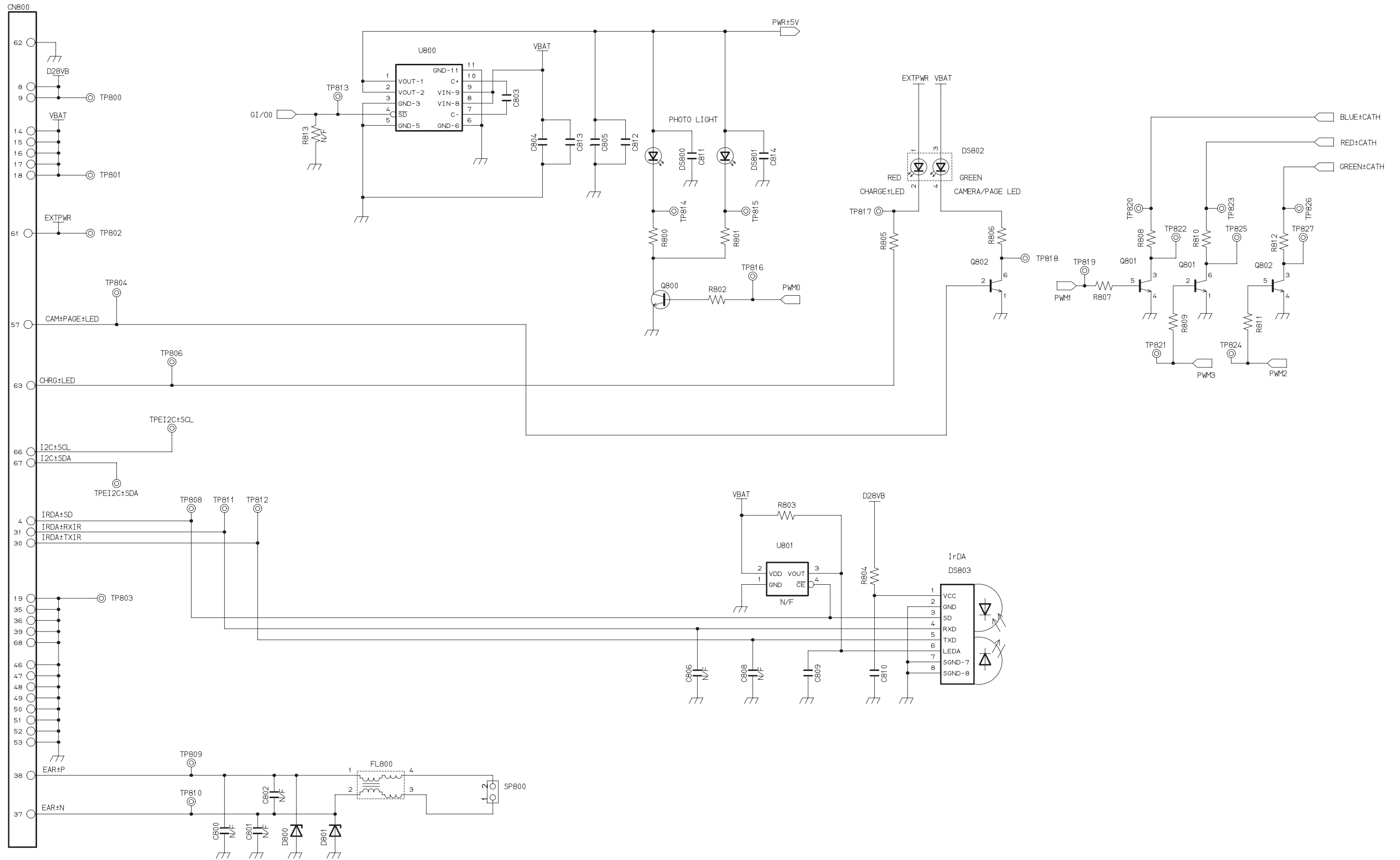


Figure 11.8: Circuit Diagram - Display Module (Sheet 1 of 2)



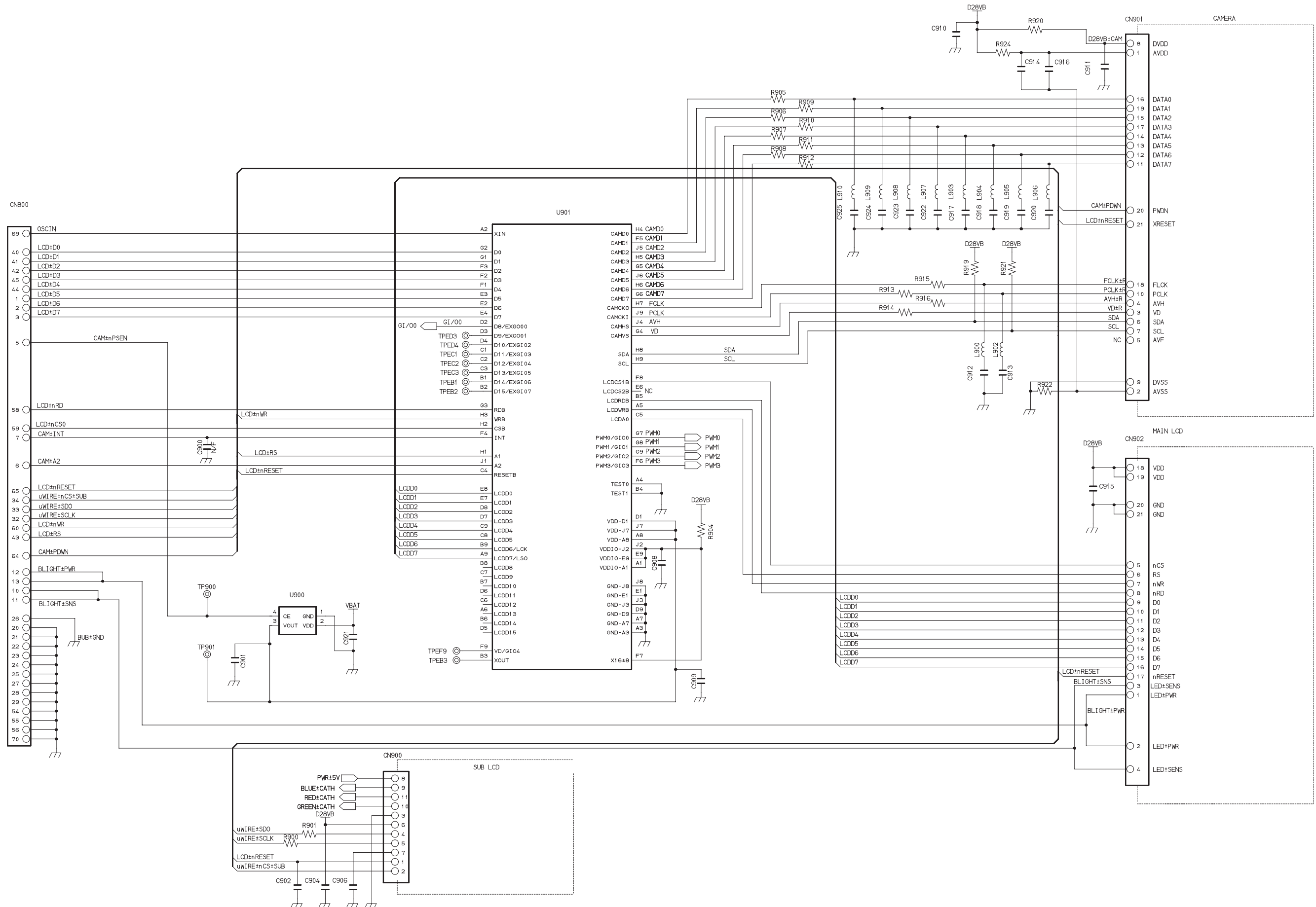


Figure 11.9: Circuit Diagram - Display Module (Sheet 2 of 2)

# 12 LAYOUT DIAGRAMS

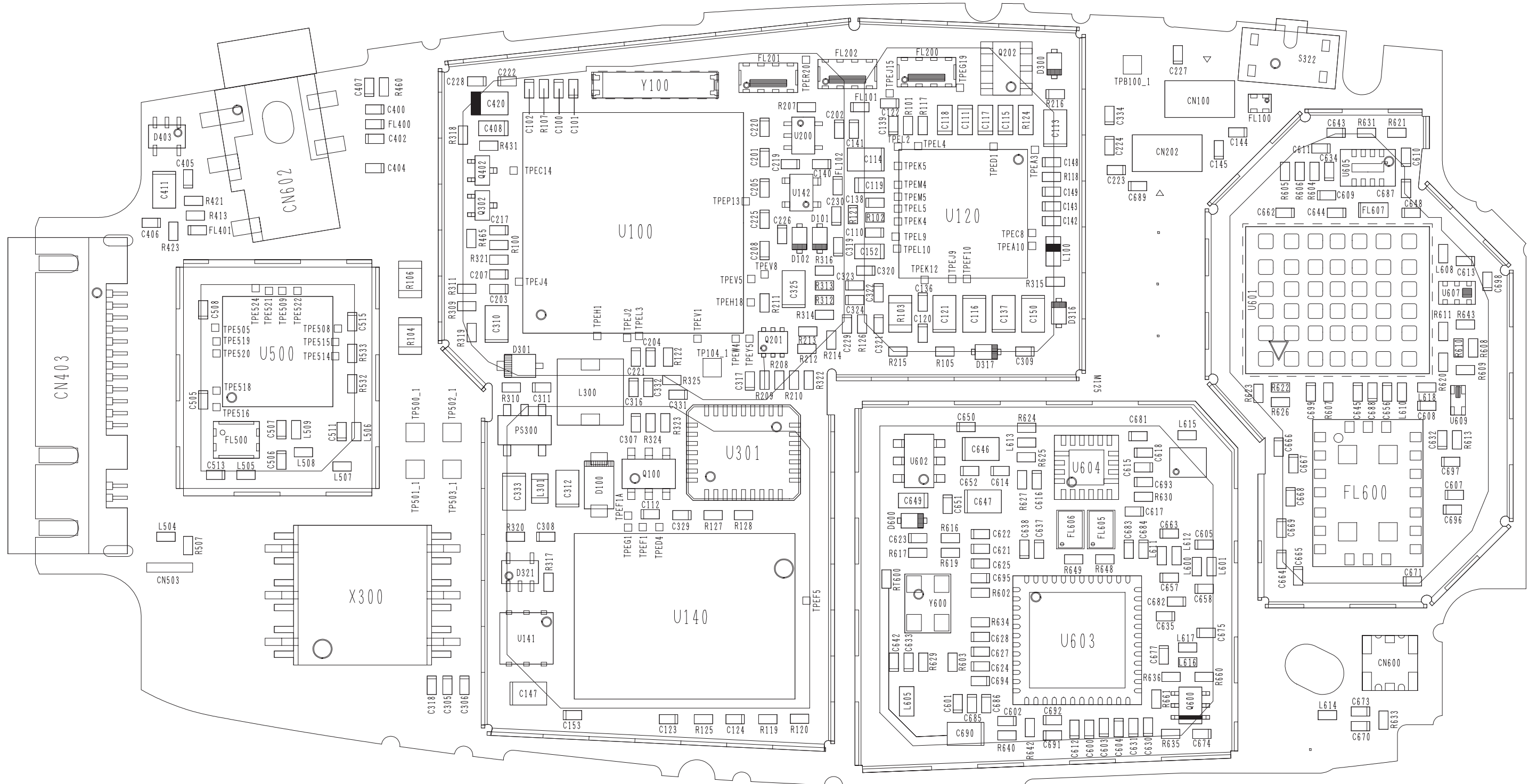


Figure 12.1: Main PCB Layout - Side A

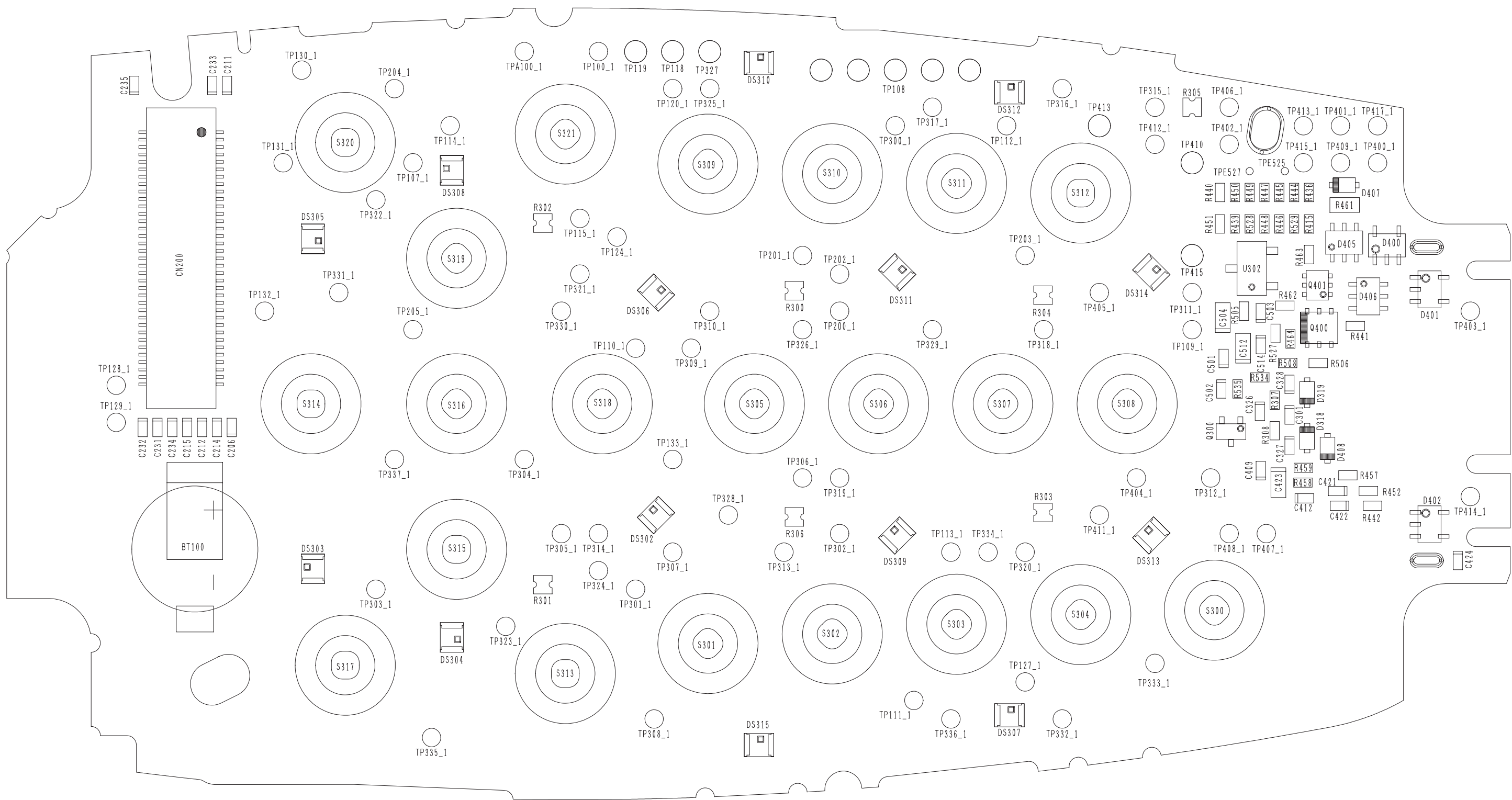


Figure 12.2: Main PCB Layout - Side B

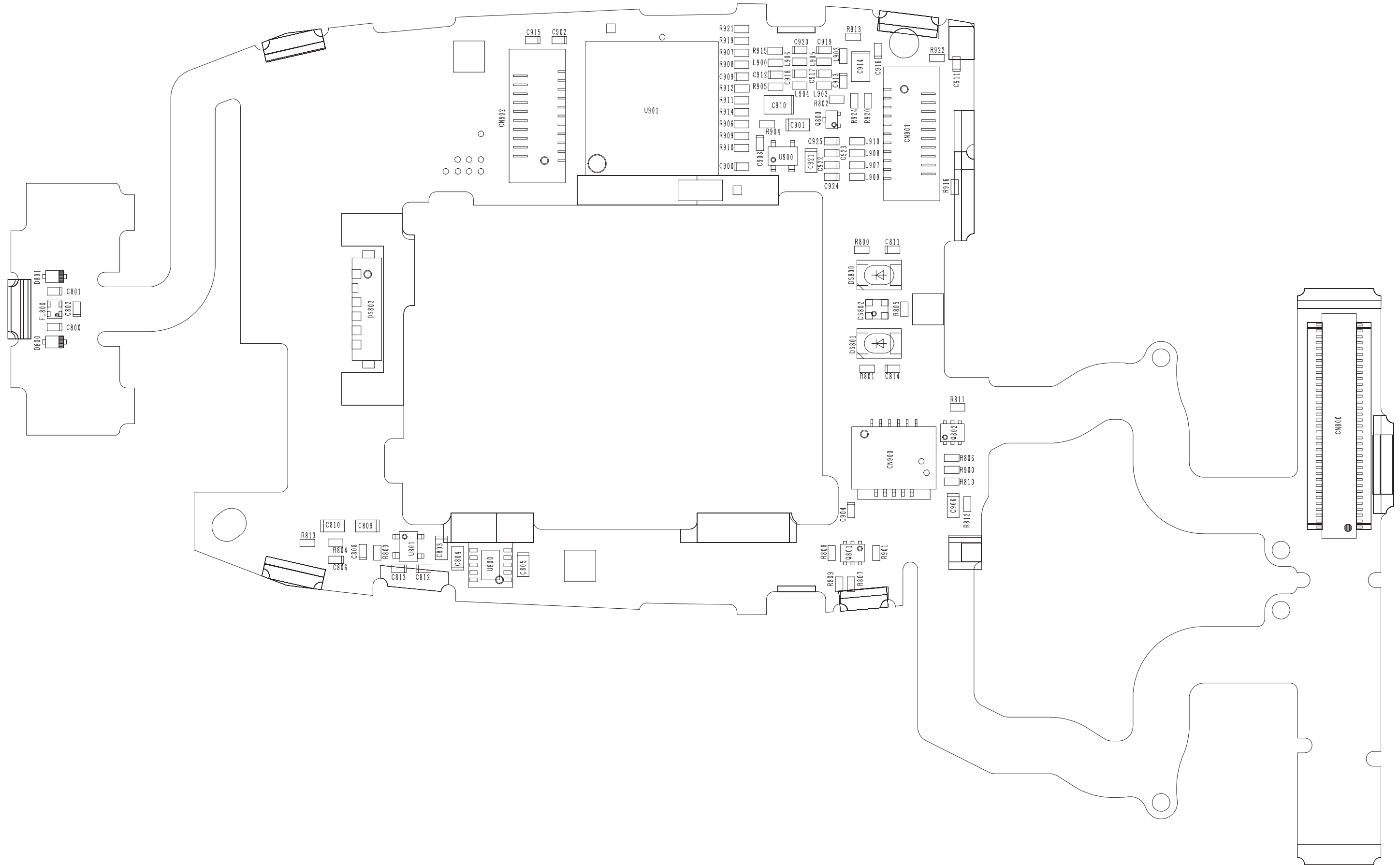


Figure 12.3: Display PCB Layout - Side A

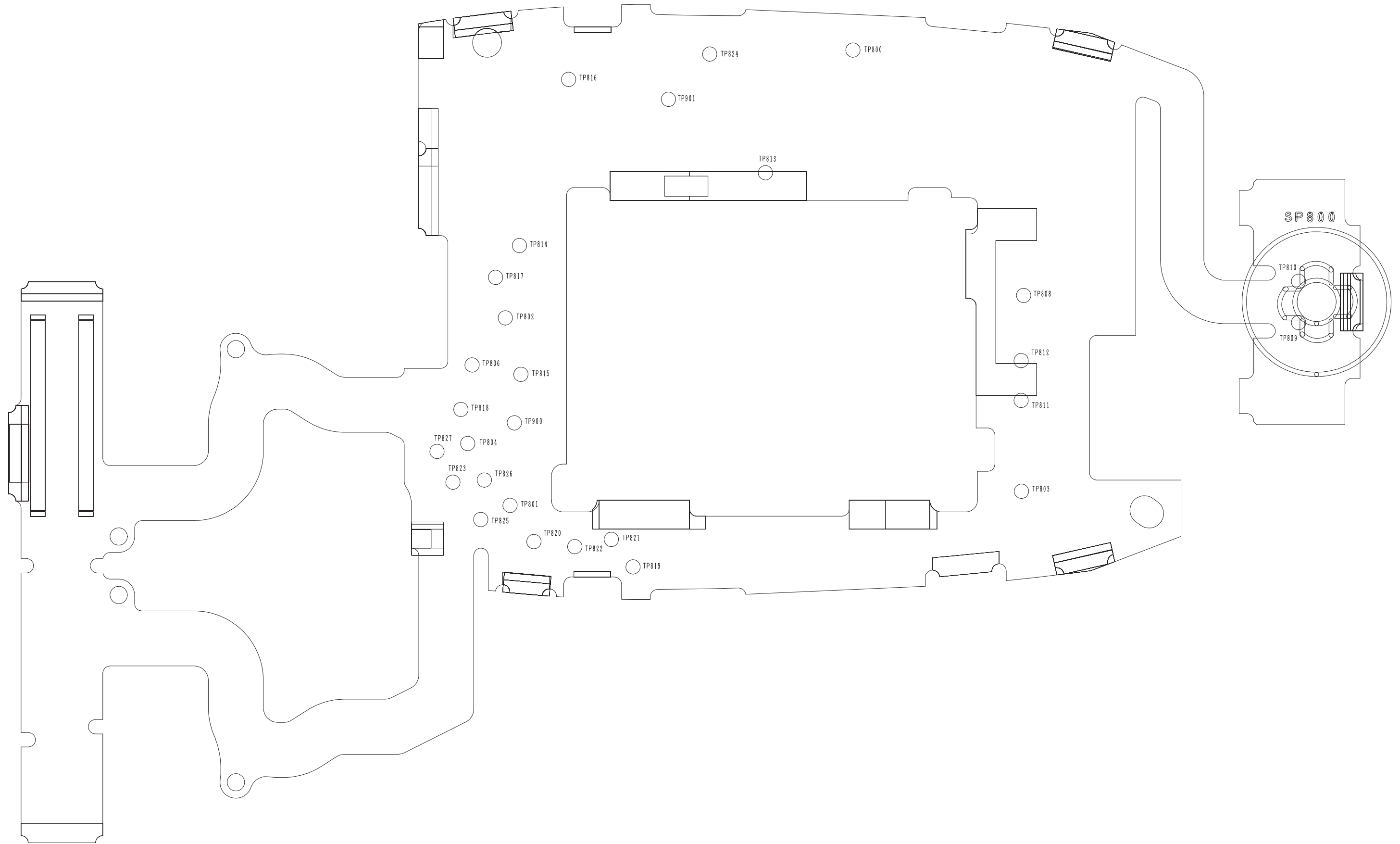


Figure 12.4: Display PCB Layout - Side B