

Confidential
Copyright © Siemens AG

DUMMY for Smarti

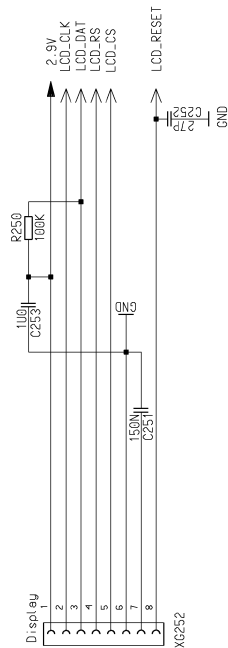
- TP1609
- TP1704
- TP1601

NB = nicht bestückt
NC = keine Sachnummer

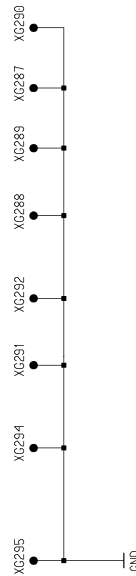
DATE	12.11.2001	USER	LIU	APPROV	HP	VC-RT	BEIJING
3	2451	12.11.2002	LIU				Siemens AG
2	2051	09.10.2002	LIU				
1	1707	08.28.2002	LIU				
VERS. CHANGE NUMBER		DATE		NAME			
						21386	
						A55 PIRANHA HIT	
						B2+ PCB (Dualband Amber)	
						CIRCUIT DIAGRAM	
						1:1	
						SHEET 1+	
						(Created by BOM number: A55B05011073-2151)	

DISPLAY_INTERFACE

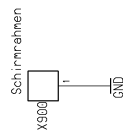
231 - 270



GND Contact



RF Shielding



Confidential
Copyright © Siemens AG

DATE	12.11.2001	AS5 PIRANHA HIT
USER	LIU	B2+ PCB (Dualband Amber)
APPR'D		CIRCUIT DIAGRAM
HP	VC-RT-BEIJING	
DATE	12.11.2002	LIU
DATE	09.10.2002	LIU
DATE	08.28.2002	LIU
VERS.	CHANGE NUMBER	NAME
3	2451	Siemens AG
2	2051	
1	1427	

DATE	12.11.2001	AS5 PIRANHA HIT
USER	LIU	B2+ PCB (Dualband Amber)
APPR'D		CIRCUIT DIAGRAM
HP	VC-RT-BEIJING	
DATE	12.11.2002	LIU
DATE	09.10.2002	LIU
DATE	08.28.2002	LIU
VERS.	CHANGE NUMBER	NAME
3	2451	Siemens AG
2	2051	
1	1427	

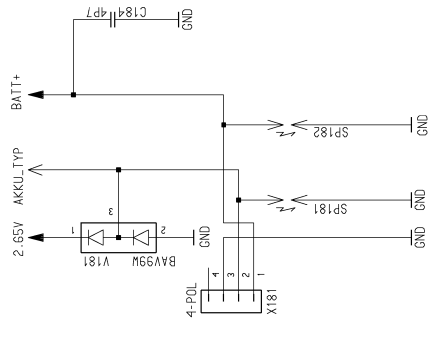
DATE	12.11.2001	AS5 PIRANHA HIT
USER	LIU	B2+ PCB (Dualband Amber)
APPR'D		CIRCUIT DIAGRAM
HP	VC-RT-BEIJING	
DATE	12.11.2002	LIU
DATE	09.10.2002	LIU
DATE	08.28.2002	LIU
VERS.	CHANGE NUMBER	NAME
3	2451	Siemens AG
2	2051	
1	1427	

(Created by BOM number: AS5000011073-2451)

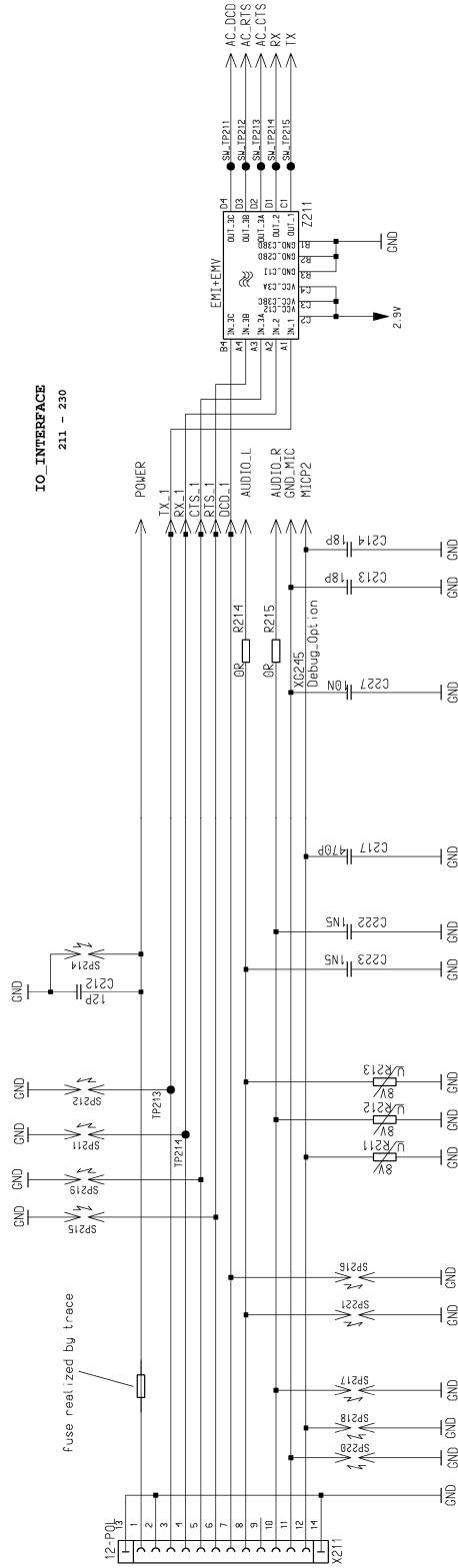
1:1

SHEET 3*

BASEBAND_POWERSUPPLY_GSM
181-185



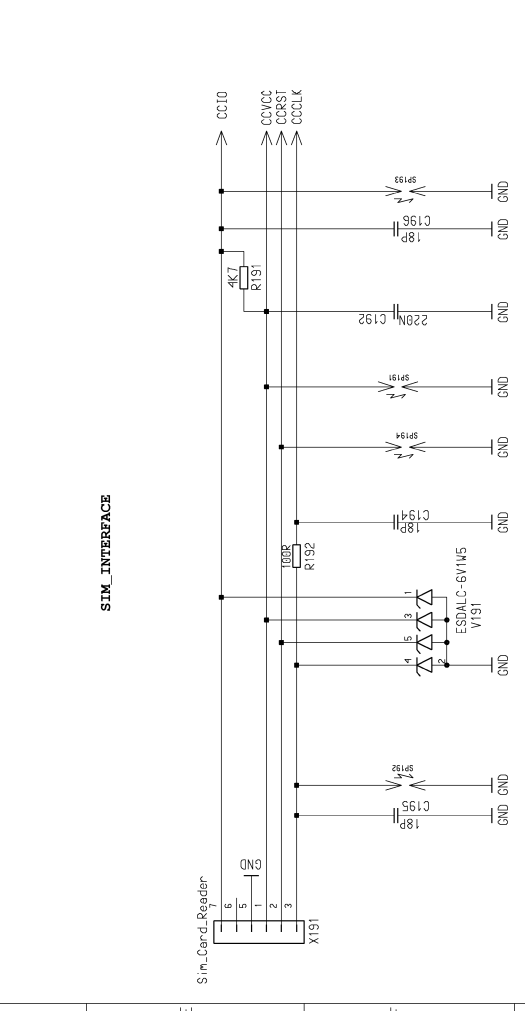
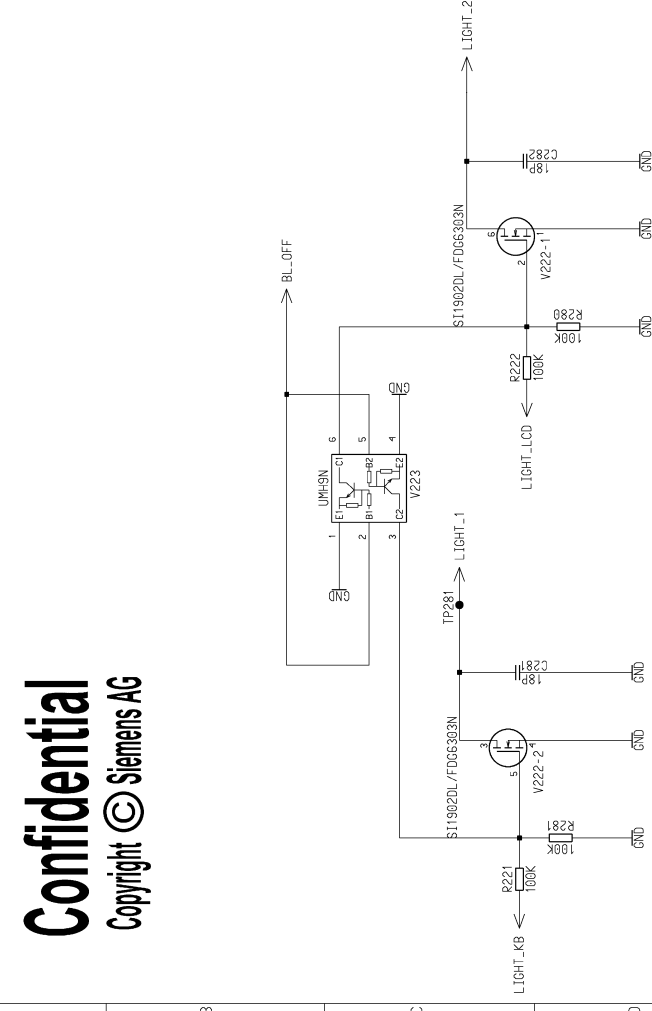
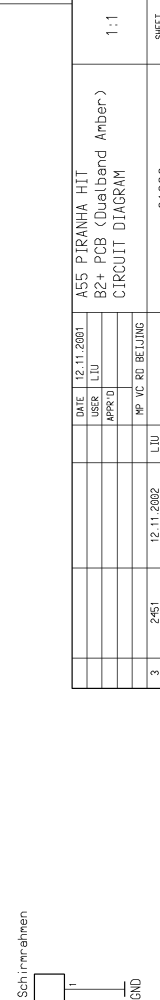
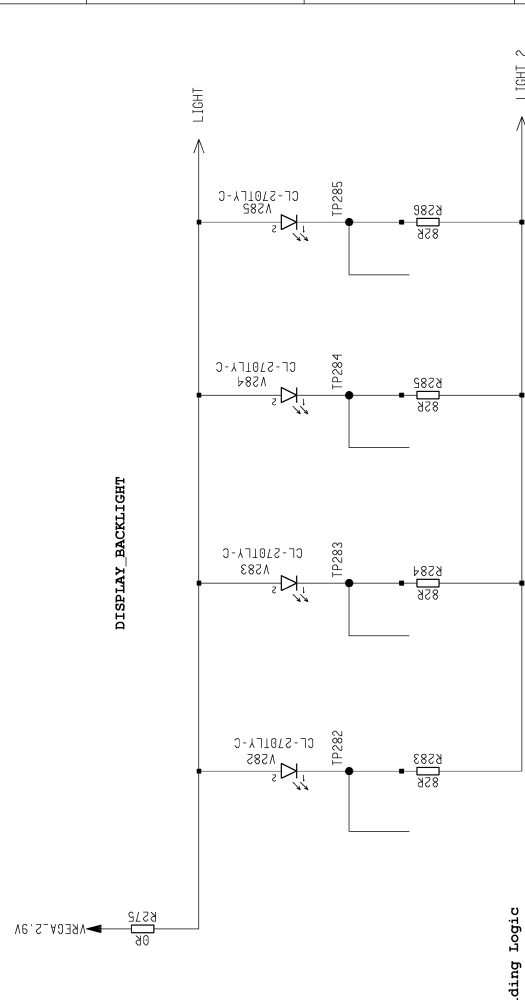
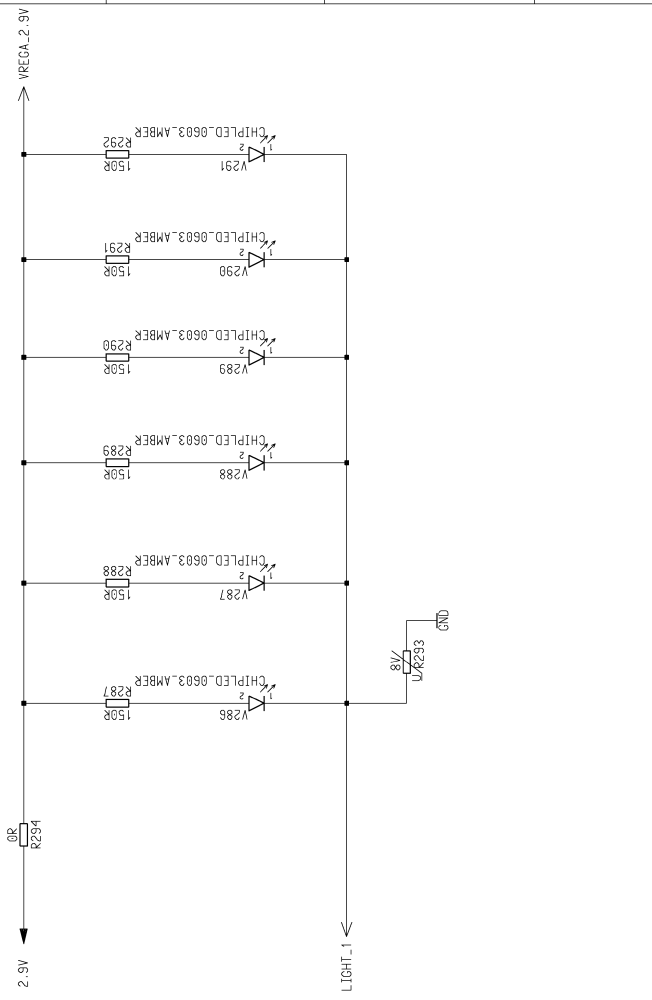
IO_INTERFACE
211 - 230

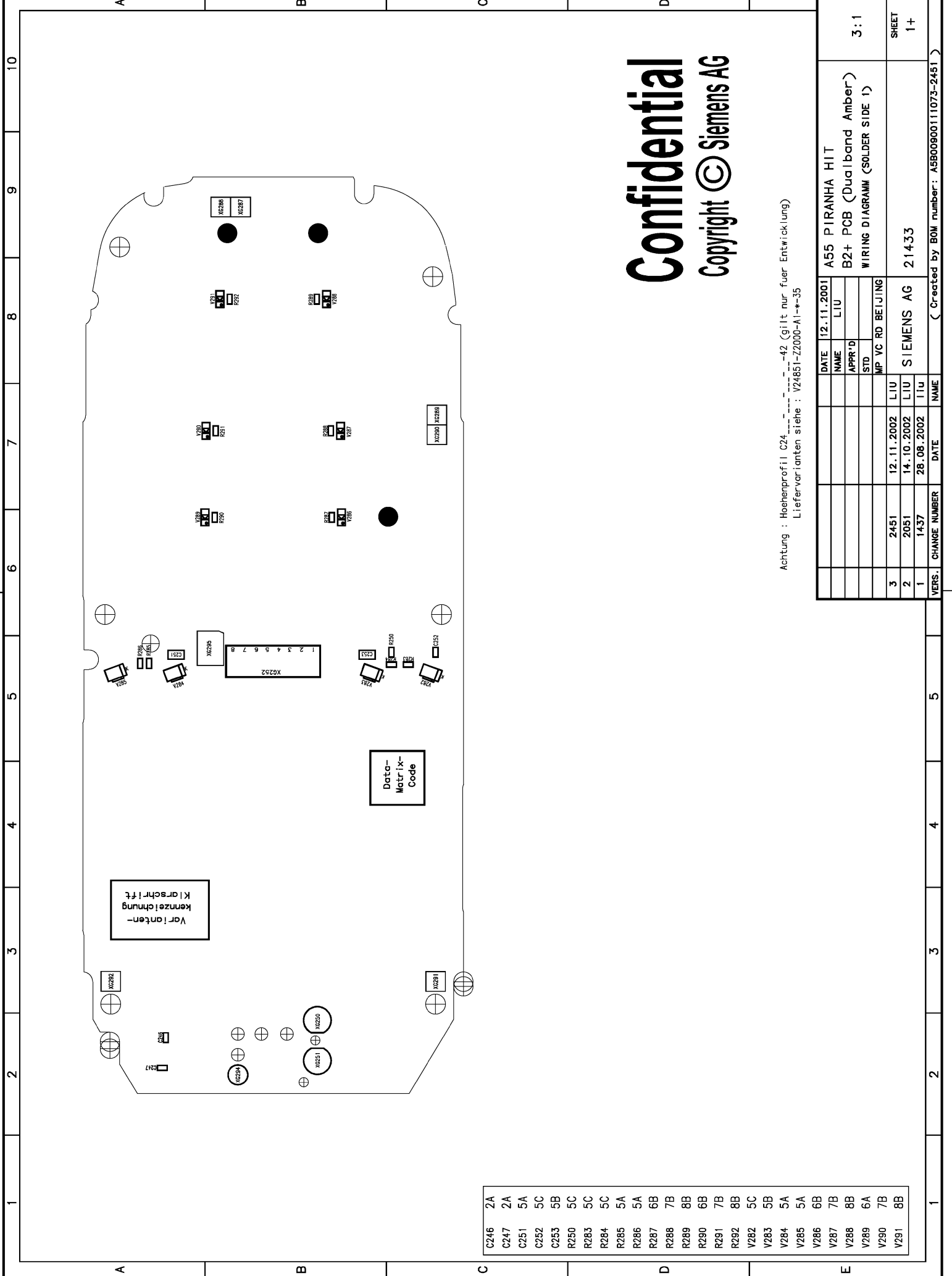


DATE	12.11.2001	USER	LIU	APPR'D	HP	VC	RT	BEIJING
3	2451	12.11.2002	LIU					
2	2051	09.10.2002	LIU					
1	1477	08.28.2002	LIU					
VERS. CHANGE NUMBER		DATE	NAME					
			Siemens AG					
			21386					
			(Created by BOM number: A580808110732451)					

A55 PIRANHA HIT
B2+ PCB (Dualband Amber)
CIRCUIT DIAGRAM
1:1

Confidential
Copyright © Siemens AG





Varianten-
kennzeichnung
Klarschrift

Data-
Matrix-
Code

C246	2A
C247	2A
C251	5A
C252	5C
C253	5B
R250	5C
R283	5C
R284	5C
R285	5A
R286	5A
R287	6B
R288	7B
R289	8B
R290	6B
R291	7B
R292	8B
V282	5C
V283	5B
V284	5A
V285	5A
V286	6B
V287	7B
V288	8B
V289	6A
V290	7B
V291	8B

Confidential
Copyright © Siemens AG

Achtung : Höhenprofil C24...42 (gilt nur fuer Entwicklung)
Liefervarianten siehe : V24851-Z2000-A1-35

DATE	NAME	LIU	APPR'D	STD	MP VC RD BEIJING	DATE	NAME
12.11.2001							
12.11.2002	LIU					12.11.2002	LIU
14.10.2002						14.10.2002	LIU
28.08.2002						28.08.2002	LIU
14.37						14.37	
VERS. CHANGE NUMBER						DATE	NAME
3	2451					12.11.2002	LIU
2	2051					14.10.2002	LIU
1	1437					28.08.2002	LIU

A55 PIRANHA HIT	3:1
B2+ PCB (Dualband Amber)	
WIRING DIAGRAM (SOLDER SIDE 1)	
SIEMENS AG	21433
SHEET 1+	
Created by BOM number: A5800900111073-2451	

