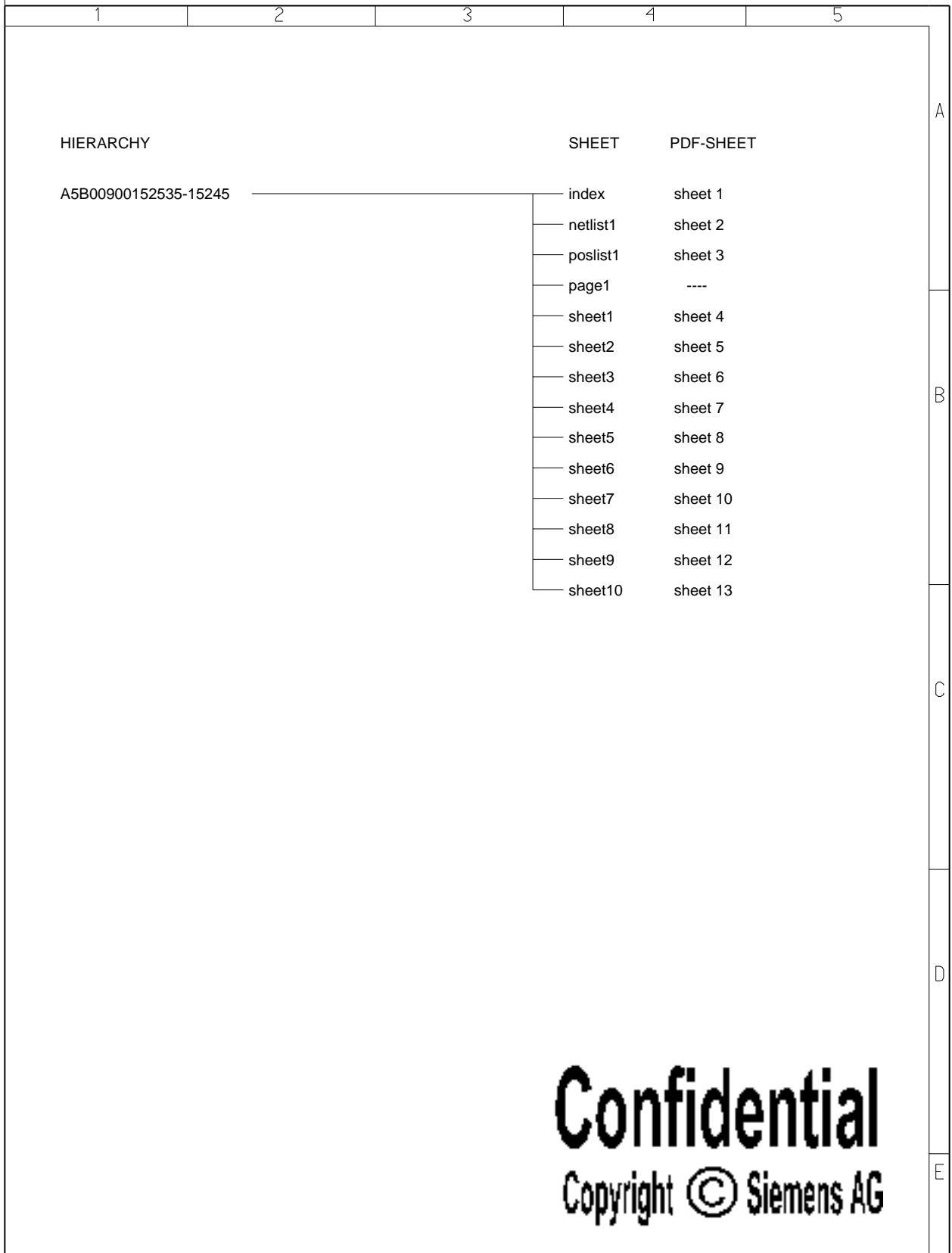


Proprietary data, company confidential.  
All rights reserved

Als Betriebsgeheimnis anvertraut  
Alle Rechte vorbehalten



**Confidential**  
Copyright © Siemens AG

VBRS.	CHANGE NUMBER	DATE	NAME		
7	16840	13.07.2004	Ren	DATE	13.07.2004
6	15246	24.05.2004	Ren	USER	RenLi
5	13974	11.04.2004	Ren	APPR'D	
4	13102	11.03.2004	Ren	ICM MP PD BJ	
3	12430	19.02.2004	Ren	Siemens AG	
2	11522	13.01.2004	Ren		
1	10995	15.12.2003	Ren		
				Puma B5E Mainboard B2 Variante 1 TOP HIERARCHY LEVEL SCHEMATIC	
				60449	
				index	
				( Created by BOM number: A5B00900139544-16840 )	

1:1

Proprietary data, company confidential.  
All rights reserved

Als Betriebsgeheimnis anvertraut  
Alle Rechte vorbehalten

	1	2	3	4	5	6	7	8	9	10	
A	1.8V /sheet5 6 D /sheet5 5 D /sheet5 2 E /sheet5 5 D /sheet4 3 F /sheet4 1 D /sheet6 14 B	/sheet3 13 E /sheet3 11 E F_WAIT /sheet4 9 A /sheet6 5 C /sheet6 7 B /sheet6 7 D /sheet8 10 B /sheet1 6 F /sheet1 1 F /sheet9 9 B /sheet9 1 A /sheet7 4 B	/sheet6 4 E /sheet5 15 E /sheet5 5 D GND_MIC /sheet4 4 B /sheet4 3 B /sheet4 15 D /sheet4 14 D /sheet4 1 B /sheet8 5 C /sheet7 9 E	KB8 /sheet4 8 F /sheet8 15 E KB9 /sheet4 8 F /sheet8 15 D LCD_CLK /sheet4 10 C /sheet9 14 E LCD_CS /sheet3 10 D /sheet3 13 D /sheet4 7 F /sheet9 14 E	/sheet4 3 B /sheet8 5 C MICP2 /sheet4 5 A /sheet4 4 A /sheet7 9 E MON1 /sheet5 15 F /sheet4 5 F MON2 /page1 4 A /sheet4 5 F	/sheet3 2 C /sheet3 4 C /sheet4 4 C /sheet1 1 C RINGIN /sheet4 9 F /sheet6 7 E RTC_INT /sheet4 6 F /sheet6 7 C RTS_1 /sheet7 9 E RX /sheet4 10 C /sheet7 12 E	/sheet1 1 F TXON_GSM /sheet3 4 D /sheet3 2 D /sheet4 4 C /sheet1 1 C TX_1 /sheet7 9 E TX_GSM_OUT /sheet1 1 C /sheet1 6 F TX_PCN_OUT /sheet1 1 C /sheet1 6 F	/sheet5 13 B /sheet5 15 E /sheet5 5 B /sheet4 10 F test /sheet5 5 D			
B	2.65V /sheet4 2 D /sheet4 2 D /sheet6 14 C	BB_SIN26M /sheet3 2 D /sheet3 4 D /sheet4 6 F /sheet1 15 C BHE /sheet5 13 B /sheet5 15 E /sheet4 10 F BREF /sheet4 14 F /sheet4 8 C CCCLK /sheet4 6 G /sheet9 7 F CCIO /sheet4 6 F /sheet9 7 E	GSM_PA_IN /sheet1 1 F /sheet1 8 E HF_OUT /sheet3 2 G /sheet3 4 G /sheet10 2 B /sheet1 1 D HF_OUT1 /sheet3 10 F /sheet3 13 F /sheet10 4 B I2C_CLK /sheet5 15 F /sheet4 10 C /sheet6 10 C I2C_DAT /sheet5 15 F /sheet4 11 C /sheet6 10 C	LCD_DAT /sheet3 10 D /sheet3 13 D /sheet4 10 C /sheet9 14 E LCD_LED1_A /sheet3 13 D /sheet3 10 D /sheet9 14 E /sheet9 5 A LCD_LED2_A /sheet3 13 D /sheet3 10 D /sheet9 14 E /sheet9 5 B	PA_RAMP /sheet3 2 C /sheet3 4 C /sheet4 8 C /sheet1 1 F PCN_PA_IN /sheet1 1 F /sheet1 8 F POWER /sheet6 2 C /sheet7 9 E RD /sheet5 13 B /sheet5 15 E /sheet5 5 B /sheet4 10 F	RX /sheet4 10 C /sheet7 12 E RX_1 /sheet7 9 E SENSE /sheet6 7 B /sheet6 5 C SLEEPQ /sheet4 5 C /sheet6 7 C TBAT /sheet4 10 A /sheet4 9 C /sheet6 10 C	TX_PCN_OUT /sheet1 1 C /sheet1 6 F VBAND /sheet3 2 D /sheet3 4 D /sheet4 5 C /sheet1 6 F VCC_2.8V /sheet6 14 C /sheet1 8 A VCC_2.8V_RF /sheet3 2 E /sheet3 4 E VCC_SYN /sheet3 2 D /sheet3 4 D /sheet10 7 C				
C	A(0) /sheet5 13 B A(0:23) /sheet5 10 C /sheet5 15 E /sheet5 3 D /sheet4 13 F A(22) /sheet4 9 F A(23) /sheet4 9 F	CCRST /sheet4 6 F /sheet9 7 F CCVCC /sheet6 14 B /sheet9 7 F CHARGE_UC /sheet5 15 F /sheet4 6 C /sheet6 10 D CS_FLASH_1 /sheet5 15 E /sheet5 5 B /sheet5 5 D /sheet4 10 F CS_SRAM /sheet5 13 B /sheet5 15 E /sheet4 10 F CTS_1 /sheet7 9 E D(0:15) /sheet5 13 C /sheet5 15 B /sheet5 5 C /sheet4 12 C DCD_1 /sheet7 9 E EPN1 /sheet6 12 E /sheet8 6 G EPN1_FIL /sheet4 8 A /sheet6 4 E EPP1 /sheet6 12 E /sheet8 6 F EPP1_FIL /sheet4 8 A	I2C_IRQ /sheet5 15 F /sheet4 9 F /sheet6 10 C I2SCAO /sheet4 11 C /sheet6 6 E I2SDAO /sheet4 11 C /sheet6 6 E I2SWAO /sheet4 11 C /sheet9 14 E /sheet9 8 D KB0 /sheet4 7 F /sheet8 15 E KB2 /sheet4 7 F /sheet8 15 F KB3 /sheet4 7 F /sheet8 15 F KB4 /sheet4 7 F /sheet8 15 E KB5 /sheet4 8 F /sheet8 15 G KB6 /sheet4 8 F /sheet8 15 E KB7 /sheet4 8 G /sheet6 7 C /sheet8 15 D	LCD_RESET /sheet3 10 D /sheet3 13 D /sheet4 8 F /sheet9 14 E LCD_RS /sheet3 10 D /sheet3 13 D /sheet9 14 E LIGHT_1 /sheet9 4 D /sheet9 9 C LIGHT_K /sheet3 10 D /sheet3 13 D /sheet9 14 E /sheet9 8 D LIGHT_KB /sheet4 8 F /sheet9 2 D LIGHT_LCD /sheet4 5 C /sheet9 5 D LIGHT_OFF_N /sheet4 6 C /sheet9 3 B RF_I /sheet3 2 B /sheet3 4 B /sheet4 7 C /sheet1 15 D RF_IX /sheet3 2 B /sheet3 4 B /sheet4 7 C /sheet1 15 D MEAS_ON /sheet4 5 C /sheet4 15 A /sheet4 14 F RF_Q /sheet3 2 B /sheet3 4 B /sheet4 7 C /sheet1 15 D MICN1 /sheet4 5 B /sheet4 3 B /sheet8 5 C MICN2 /sheet4 5 A /sheet4 4 A MICP1 /sheet4 5 B	RESET_2.9V /sheet5 5 C /sheet4 6 F /sheet6 11 C RFCLK /sheet3 4 B /sheet3 2 B /sheet4 5 C RFCLK /sheet1 15 C RFDATA /sheet3 4 B /sheet3 2 B /sheet4 5 C /sheet1 15 C RFSTR /sheet3 2 A /sheet3 4 A /sheet4 6 C /sheet1 15 C TRIGIN /sheet5 15 F /sheet4 5 F TRIOUT /sheet5 15 F /sheet4 5 F TRST /page1 4 C /sheet4 4 F TVCO /sheet4 8 C /sheet4 15 A TVCXO /sheet3 2 D /sheet3 4 D /sheet4 13 A /sheet1 15 C TX /sheet4 10 C /sheet7 12 E TXONPA /sheet3 4 C /sheet3 2 C /sheet4 4 C	TCK /page1 4 B /sheet4 5 F TDI /page1 4 B /sheet4 5 F TDO /page1 4 B /sheet4 4 F TENV /sheet4 13 A /sheet4 9 C TMS /page1 4 B /sheet4 4 F TRIGIN /sheet5 15 F /sheet4 5 F TRIOUT /sheet5 15 F /sheet4 5 F TRST /page1 4 C /sheet4 4 F TVCO /sheet4 8 C /sheet4 15 A TVCXO /sheet3 2 D /sheet3 4 D /sheet4 13 A /sheet1 15 C TX /sheet4 10 C /sheet7 12 E TXONPA /sheet3 4 C /sheet3 2 C /sheet4 4 C	/sheet3 2 D /sheet10 7 C /sheet6 14 C /sheet1 7 C /sheet1 15 F /sheet1 9 E /sheet1 9 B /sheet1 8 E /sheet1 11 A /sheet1 9 A /sheet1 9 A /sheet1 11 C /sheet1 8 B /sheet1 9 A /sheet1 8 E VCXOEN_UC /sheet5 15 F /sheet4 9 F /sheet6 6 C VDD_CHARGE /sheet6 7 C /sheet6 5 B VDD_RTC /sheet4 3 E /sheet6 14 B /sheet6 7 C VIBRA_UC /sheet4 6 C /sheet8 10 C VMIC /sheet4 5 A /sheet4 4 A VPP /sheet5 6 C VREGA /sheet6 6 E /sheet6 10 D /sheet6 9 E WA_DOG /sheet4 8 G /sheet6 6 C WR				
D	AFC /sheet3 4 C /sheet3 2 C /sheet4 5 G /sheet1 15 B AKKU_TYP /sheet4 10 A /sheet7 3 B ANT_DET /sheet3 2 E /sheet3 4 E /sheet10 4 C /sheet4 11 C AUDIO_L /sheet6 12 E /sheet7 9 E AUDIO_R /sheet6 12 E /sheet7 9 E BATT+	/sheet5 13 B /sheet4 9 F /sheet7 12 E /sheet4 6 C /sheet7 12 E /sheet4 9 F /sheet7 12 E /sheet7 9 E /sheet3 4 C /sheet3 2 C /sheet4 5 G /sheet1 15 B /sheet4 10 A /sheet7 3 B /sheet3 2 E /sheet3 4 E /sheet10 4 C /sheet4 11 C /sheet6 12 E /sheet7 9 E /sheet6 12 E /sheet7 9 E /sheet4 8 A									
E											

**Confidential**  
Copyright © Siemens AG

				DATE	13.07.2004	Puma B5E Mainboard B2 Variante 1	1:1
7	16840	13.07.2004	Ren	USER	RenLi		
6	15246	24.05.2004	Ren	APPR'D			
5	13974	11.04.2004	Ren				
4	13102	11.03.2004	Ren		ICM MP PD BJ		
3	12430	19.02.2004	Ren				
2	11522	13.01.2004	Ren	Siemens AG	60449		
1	10995	15.12.2003	Ren		netlist1		
VBRS.	CHANGE NUMBER	DATE	NAME	( Created by BOM number: A5B00900139544-16840 )			

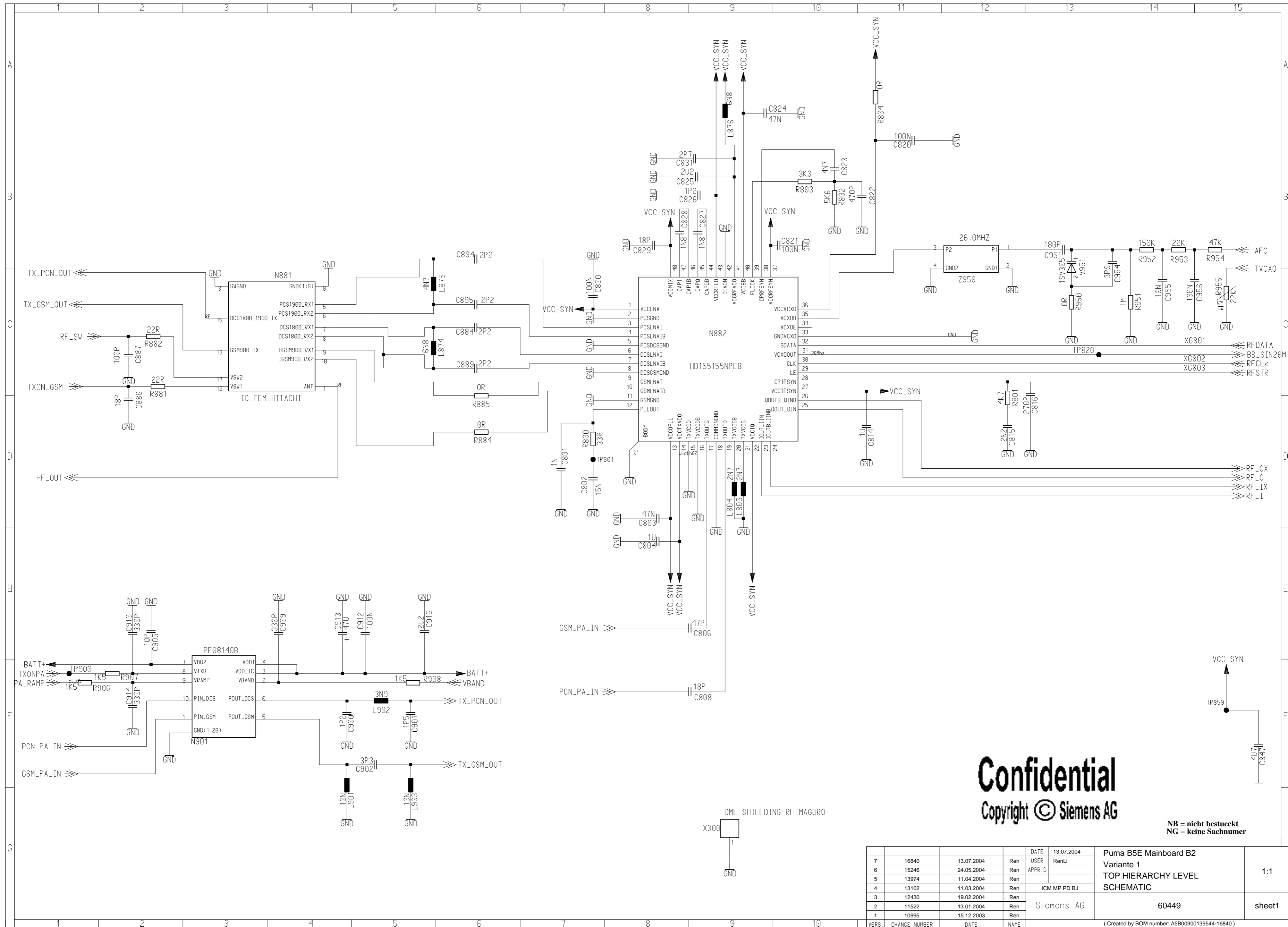
Proprietary data, company confidential.  
All rights reserved

Als Betriebsgeheimnis anvertraut  
Alle Rechte vorbehalten

	1	2	3	4	5	6	7	8	9	10
A	C101 /sheet4 2 B	C351 /sheet6 5 C	C905 /sheet1 2 E	R222 /sheet9 6 D	TP369 /sheet6 14 B					
	C102 /sheet4 2 B	C352 /sheet6 5 C	C907 /sheet1 2 E	R241 /sheet8 5 C	TP801 /sheet1 7 D					
	C103 /sheet4 3 B	C353 /sheet6 5 D	C908 /sheet1 4 E	R242 /sheet8 5 B	TP820 /sheet1 13 C					
	C104 /sheet4 3 B	C354 /sheet6 5 D	C909 /sheet1 4 E	R243 /sheet8 5 F	TP900 /sheet1 1 F					
	C106 /sheet4 6 A	C359 /sheet6 7 F	C910 /sheet1 2 E	R244 /sheet8 6 F	TP850 /sheet1 15 F					
	C107 /sheet4 6 A	C360 /sheet6 7 F	C911 /sheet1 5 E	R270 /sheet9 5 B	TP281 /sheet9 4 D					
	C108 /sheet4 6 A	C361 /sheet6 7 F	C912 /sheet1 5 E	R271 /sheet8 13 D	TP207 /sheet9 12 E					
	C110 /sheet4 6 A	C362 /sheet6 7 B	C913 /sheet1 4 E	R272 /sheet8 13 D	TP208 /sheet9 12 E					
	C111 /sheet4 6 B	C363 /sheet6 9 B	C914 /sheet1 2 F	R273 /sheet8 13 D	TP209 /sheet9 12 E					
	C113 /sheet4 6 B	C364 /sheet6 7 B	C915 /sheet1 5 E	R274 /sheet8 14 D	TP812 /sheet7 5 B					
	C114 /sheet4 7 A	C365 /sheet6 7 B	C916 /sheet1 5 E	R280 /sheet9 6 D	TP214 /sheet7 5 E					
	C115 /sheet4 7 A	C366 /sheet6 7 B	C951 /sheet1 13 B	R281 /sheet9 2 D	TP810 /sheet7 3 B					
	C131 /sheet4 13 B	C367 /sheet6 7 C	C952 /sheet1 13 C	R287 /sheet9 10 B	TP213 /sheet7 5 E					
	C132 /sheet4 9 A	C368 /sheet6 12 C	C953 /sheet1 14 C	R288 /sheet9 11 B	TP813 /sheet7 2 C					
	C151 /sheet4 3 D	C369 /sheet6 12 C	C954 /sheet1 14 C	R289 /sheet9 12 B	TP814 /sheet7 2 C					
	C152 /sheet4 3 D	C370 /sheet6 12 C	C955 /sheet1 14 C	R290 /sheet9 13 B	TP811 /sheet7 5 B					
	C153 /sheet4 3 D	C371 /sheet6 12 C	C956 /sheet1 15 C	R291 /sheet9 14 B	V151 /sheet4 8 F					
	C155 /sheet4 1 E	C372 /sheet6 13 C	C958 /sheet1 2 E	R292 /sheet9 14 B	V191 /sheet9 3 G					
	C156 /sheet4 1 E	C373 /sheet6 13 C	C8111 /sheet10 3 B	R293 /sheet9 11 C	V211 /sheet8 11 C					
	C157 /sheet4 3 E	C374 /sheet6 13 C	C8112 /sheet10 3 B	R294 /sheet9 9 B	V220 /sheet8 12 C					
	C158 /sheet4 3 E	C375 /sheet6 7 D	C8869 /sheet10 7 B	R295 /sheet9 9 B	V222-2 /sheet9 2 D					
	C159 /sheet4 3 E	C376 /sheet6 6 D	C8870 /sheet10 7 B	R361 /sheet6 2 C	V222-1 /sheet9 6 D					
	C160 /sheet4 3 E	C377 /sheet6 9 D	C8872 /sheet10 6 B	R362 /sheet6 3 C	V286 /sheet9 10 C					
	C161 /sheet4 3 E	C379 /sheet6 10 D	C8873 /sheet10 7 B	R363 /sheet6 4 C	V287 /sheet9 11 C					
	C162 /sheet4 3 E	C380 /sheet6 6 D	D171 /sheet4 13 F	R364 /sheet6 4 E	V288 /sheet9 12 C					
	C163 /sheet4 8 C	C381 /sheet6 5 E	D202 /sheet5 11 D	R365 /sheet6 4 E	V289 /sheet9 13 C					
	C164 /sheet4 8 C	C382 /sheet6 5 E	D204 /sheet5 3 E	R366 /sheet6 5 E	V290 /sheet9 14 C					
	C165 /sheet4 5 F	C383 /sheet6 9 E	D361 /sheet6 8 F	R368 /sheet6 9 B	V291 /sheet9 14 C					
	C166 /sheet4 3 F	C384 /sheet6 5 E	L211 /sheet7 8 E	R369 /sheet6 11 C	V361-1 /sheet6 3 C					
	C169 /sheet4 6 F	C385 /sheet6 9 E	L212 /sheet7 8 E	R370 /sheet6 11 D	V361-2 /sheet6 4 C					
	C172 /sheet4 5 G	C386 /sheet6 7 E	L280 /sheet9 2 A	R371 /sheet6 7 C	V951 /sheet1 13 C					
	C173 /sheet4 6 G	C389 /sheet6 11 E	L804 /sheet1 9 D	R372 /sheet6 10 E	X100 /sheet4 2 G					
	C181 /sheet7 3 C	C390 /sheet6 12 E	L805 /sheet1 9 D	R373 /sheet6 3 B	X181 /sheet7 2 B					
	C182 /sheet7 4 B	C392 /sheet6 12 E	L874 /sheet1 6 C	R390 /sheet6 9 C	X191 /sheet9 1 E					
	C183 /sheet7 3 B	C393 /sheet6 12 E	L875 /sheet1 6 C	R391 /sheet6 10 C	X211 /sheet7 2 E					
	C184 /sheet7 4 B	C395 /sheet6 13 C	L876 /sheet1 9 A	R395 /sheet6 7 C	X251 /sheet9 11 E					
	C191 /sheet9 6 F	C396 /sheet6 10 E	L901 /sheet1 4 G	R396 /sheet6 10 C	X252 /sheet9 10 F					
	C192 /sheet9 6 F	C397 /sheet6 11 E	L902 /sheet1 5 F	R397 /sheet6 7 C	X300 /sheet1 9 G					
	C193 /sheet9 5 F	C398 /sheet6 14 C	L903 /sheet1 5 G	R500 /page1 3 A	X870 /sheet10 5 B					
	C194 /sheet9 4 F	C399 /sheet6 11 C	L8100 /sheet10 3 B	R800 /sheet1 7 D	X873 /sheet10 7 D					
	C195 /sheet9 2 F	C800 /sheet1 7 C	L8871 /sheet10 7 B	R801 /sheet1 12 D	Z171 /sheet4 6 G					
	C196 /sheet9 6 F	C801 /sheet1 7 D	L8874 /sheet10 7 B	R802 /sheet1 10 B	Z211 /sheet7 10 E					
	C200 /sheet5 2 B	C802 /sheet1 7 D	N280 /sheet9 4 B	R803 /sheet1 10 B	Z950 /sheet1 12 C					
	C201 /sheet5 11 B	C803 /sheet1 8 D	N881 /sheet1 4 C	R804 /sheet1 11 A						
	C202 /sheet5 11 B	C804 /sheet1 8 E	N882 /sheet1 8 C	R806 /sheet1 11 C						
	C207 /sheet5 2 B	C805 /sheet7 4 B	N901 /sheet1 2 F	R830 /sheet1 8 A						
	C209 /sheet5 3 B	C806 /sheet1 8 E	R101-1 /sheet4 2 A	R831 /sheet1 8 A						
	C210 /sheet5 2 E	C807 /sheet7 5 B	R101-2 /sheet4 2 A	R872 /sheet10 6 C						
	C211 /sheet5 6 D	C808 /sheet1 8 F	R102-2 /sheet4 4 A	R873 /sheet10 6 C						
	C212 /sheet7 6 D	C809 /sheet1 9 E	R102-1 /sheet4 3 A	R881 /sheet1 2 C						
	C213 /sheet7 9 F	C810 /sheet1 12 E	R103 /sheet4 2 B	R882 /sheet1 2 C						
	C214 /sheet7 9 F	C811 /sheet1 13 E	R104 /sheet4 4 B	R884 /sheet1 6 D						
	C215 /sheet7 10 F	C812 /sheet1 13 E	R105 /sheet4 6 A	R885 /sheet1 6 D						
	C216 /sheet7 8 F	C813 /sheet1 13 E	R136 /sheet4 1 D	R886 /sheet1 5 C						
	C217 /sheet7 7 F	C814 /sheet1 11 D	R137 /sheet4 13 A	R888 /sheet1 5 C						
	C218 /sheet7 6 D	C815 /sheet1 12 D	R138 /sheet4 13 A	R890 /sheet1 5 D						
	C219 /sheet7 10 F	C816 /sheet1 13 D	R139 /sheet4 14 F	R891 /sheet1 5 B						
	C220 /sheet5 6 C	C817 /sheet1 13 D	R140 /sheet4 7 G	R892 /sheet1 5 C						
	C221 /sheet7 7 F	C818 /sheet1 13 D	R141 /sheet4 10 A	R893 /sheet1 5 D						
	C222 /sheet7 6 F	C819 /sheet1 13 D	R142 /sheet4 8 F	R906 /sheet1 1 F						
	C223 /sheet7 6 F	C820 /sheet1 11 B	R143 /sheet4 9 A	R907 /sheet1 2 F						
	C224 /sheet8 12 B	C821 /sheet1 10 B	R144 /sheet4 11 B	R908 /sheet1 5 F						
	C225 /sheet8 10 C	C822 /sheet1 11 B	R145 /sheet4 12 B	R950 /sheet1 13 C						
	C226 /sheet8 12 C	C823 /sheet1 10 B	R146 /sheet4 9 A	R951 /sheet1 14 C						
	C227 /sheet7 8 F	C824 /sheet1 10 A	R147 /sheet4 10 F	R952 /sheet1 14 B						
	C238 /sheet8 11 B	C825 /sheet1 9 B	R148 /sheet4 12 B	R953 /sheet1 14 B						
	C239 /sheet8 11 B	C826 /sheet1 9 B	R158 /sheet4 5 F	R954 /sheet1 15 B						
	C241 /sheet8 4 B	C827 /sheet1 9 B	R160 /sheet4 8 C	R955 /sheet1 15 C						
	C242 /sheet8 4 C	C828 /sheet1 8 B	R161 /sheet4 8 C	TP134 /sheet4 13 A						
	C243 /sheet8 4 C	C829 /sheet1 8 B	R162 /sheet4 14 B	TP135 /sheet4 14 F						
	C244 /sheet8 4 C	C831 /sheet1 8 B	R167 /sheet4 10 A	TP152 /sheet4 4 F						
	C245 /sheet8 4 F	C845 /sheet1 15 F	R168 /sheet4 13 A	TP155 /sheet4 4 F						
	C246 /sheet8 4 F	C847 /sheet1 15 F	R169 /sheet4 14 A	TP132 /sheet4 10 A						
	C247 /sheet8 4 G	C849 /sheet1 15 F	R170 /sheet4 14 F	TP153 /sheet4 5 F						
	C261 /sheet8 5 F	C872 /sheet10 6 B	R191 /sheet9 6 F	TP157 /sheet4 8 G						
	C262 /sheet8 6 G	C883 /sheet10 6 C	R192 /sheet9 4 F	TP131 /sheet4 14 A						
	C281 /sheet9 3 D	C884 /sheet1 6 C	R198 /sheet4 11 C	TP154 /sheet4 5 F						
	C282 /sheet9 7 D	C886 /sheet1 2 D	R199 /sheet4 11 C	TP110 /sheet4 13 A						
	C283 /sheet9 3 B	C887 /sheet1 2 C	R202 /sheet9 3 B	TP156 /sheet4 4 F						
	C284 /sheet9 3 B	C889 /sheet1 6 C	R206 /sheet5 6 B	TP368 /sheet6 14 C						
	C285 /sheet9 3 B	C894 /sheet1 6 B	R210 /sheet5 12 D	TP361 /sheet6 2 C						
	C286 /sheet9 6 A	C895 /sheet1 6 C	R211 /sheet7 5 F	TP371 /sheet6 10 C						
	C287 /sheet9 2 B	C899 /sheet1 6 D	R212 /sheet7 5 F	TP840 /sheet6 14 C						
	C288 /sheet9 2 B	C900 /sheet1 4 F	R213 /sheet7 5 F	TP365 /sheet6 7 C						
	C289 /sheet9 1 B	C901 /sheet1 5 F	R216 /sheet7 3 B	TP366 /sheet6 14 B						
	C295 /sheet9 15 B	C902 /sheet1 5 F	R220 /sheet8 11 C	TP362 /sheet6 10 C						
	C350 /sheet6 5 C	C904 /sheet1 4 E	R221 /sheet9 2 D	TP367 /sheet6 14 B						
B										
C										
D										
E										

**Confidential**  
Copyright © Siemens AG

VBERS.	CHANGE NUMBER	DATE	NAME	DATE	13.07.2004	Puma B5E Mainboard B2 Variante 1 TOP HIERARCHY LEVEL SCHEMATIC	1:1
7	16840	13.07.2004	Ren	USER	RenLi		
6	15246	24.05.2004	Ren	APPR'D			
5	13974	11.04.2004	Ren				
4	13102	11.03.2004	Ren		ICM MP PD BJ		
3	12430	19.02.2004	Ren				
2	11522	13.01.2004	Ren	Siemens AG		60449	poslist1
1	10995	15.12.2003	Ren				
( Created by BOM number: A5B00900139544-16840 )							



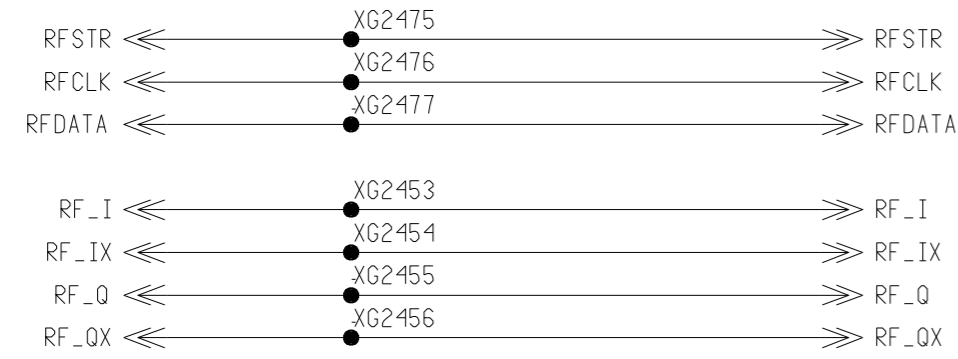
**Confidential**  
Copyright © Siemens AG

NB = nicht bestueckt  
NG = keine Sachnummer

VERS.	CHANGE NUMBER	DATE	NAME	DATE	USER	REVISION	DESCRIPTION	SHEET
7	16840	13.07.2004	Ren	13.07.2004	RenLi		Puma B5E Mainboard B2 Variante 1 TOP HIERARCHY LEVEL SCHEMATIC	1:1
6	15246	24.05.2004	Ren		APPR'D			
5	13974	11.04.2004	Ren					
4	13102	11.03.2004	Ren					
3	12430	19.02.2004	Ren					
2	11522	13.01.2004	Ren					
1	10995	15.12.2003	Ren					
					Siemens AG		60449	sheet1
( Created by BOM number: A5B00900139544-16840 )								

INTERFACE LOGIK/HF

2450-2499

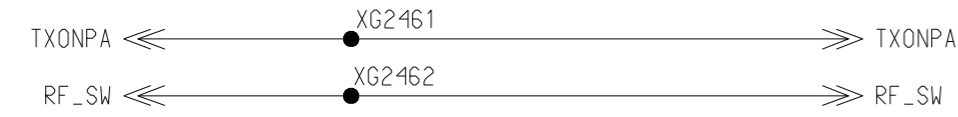


TRANCEIVER ENABLE SIGNAL  
TRANCEIVER CLOCK SIGNAL  
TRANCEIVER DATA SIGNAL

Bidirectional analogue RX/TX modulated signal  
Baseband signals



Reference frequency correction  
VCC\_SYN enable for backup regulators



Power up Power amplifier  
DCSTX enable Asic for Hitachisolution



analogue power amplifier ramping signal



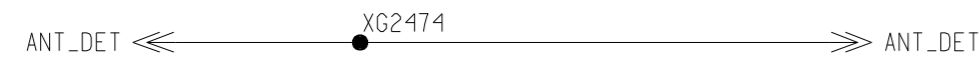
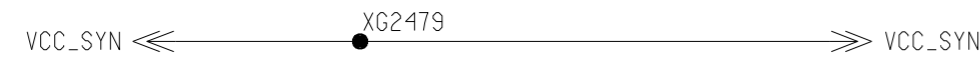
26 MHz reference frequency



Switching-signal for PA-Control IC



Temperature sensor X-tal  
only Hitachi: enable for GSMTX of FEM



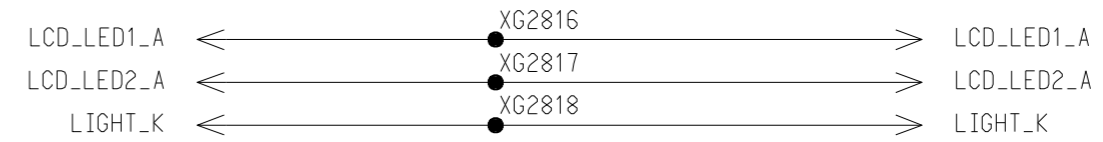
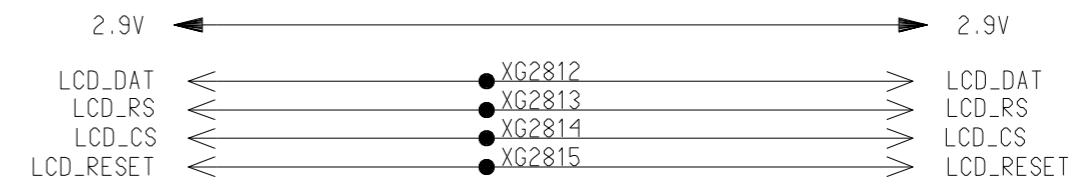
DETECTION internal/external Antenna



enable for backup regulator VCC2\_8



Antenna \_RF chamber interface



**Confidential**  
Copyright © Siemens AG

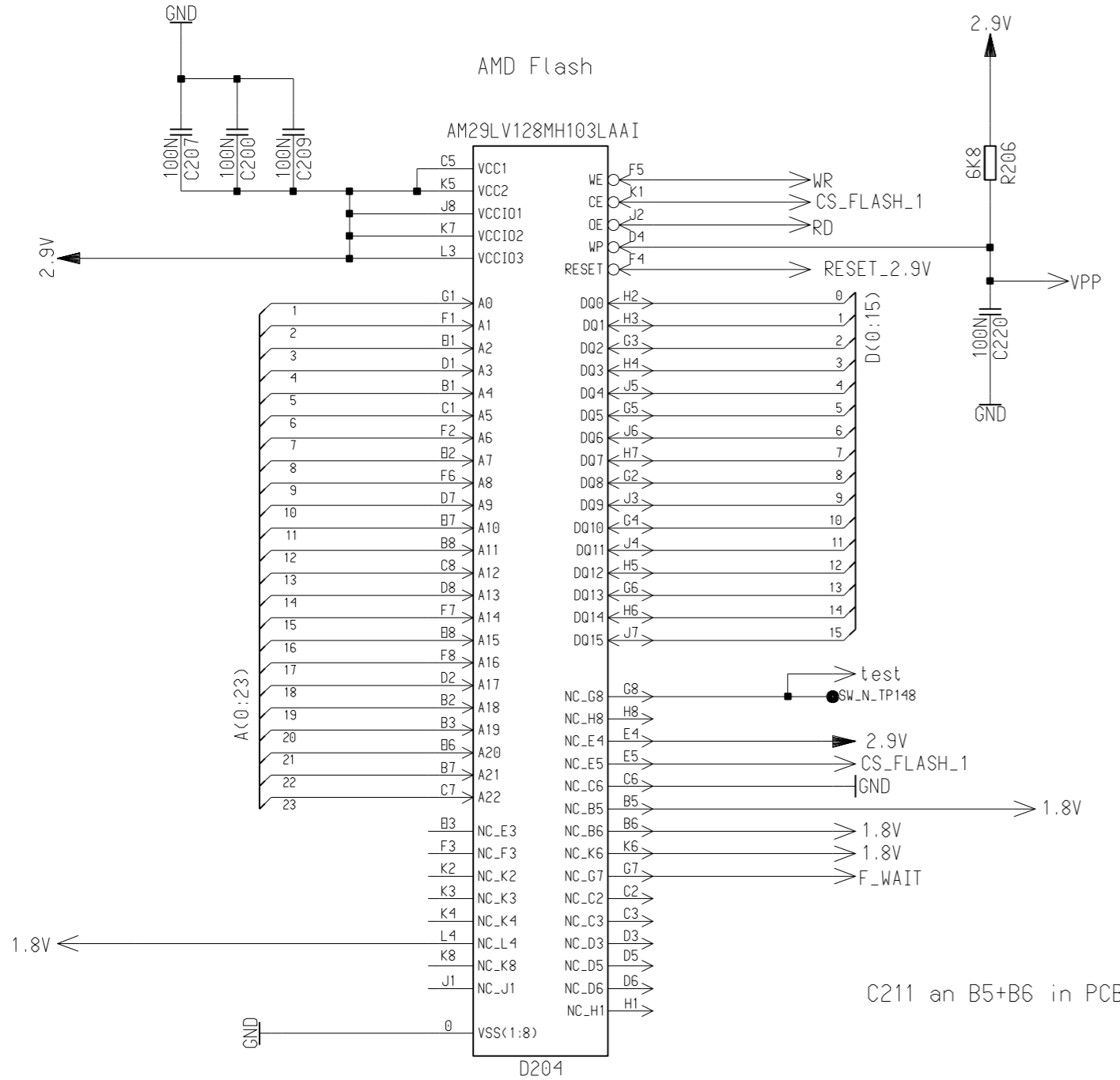
7	16840	13.07.2004	Ren	USER	RenLi	Puma B5E Mainboard B2 Variante 1 TOP HIERARCHY LEVEL SCHEMATIC	1:1
6	15246	24.05.2004	Ren	APPR'D			
5	13974	11.04.2004	Ren				
4	13102	11.03.2004	Ren	ICM MP PD BJ		Siemens AG	60449
3	12430	19.02.2004	Ren				
2	11522	13.01.2004	Ren				
1	10995	15.12.2003	Ren				
VERS.	CHANGE NUMBER	DATE	NAME				sheet3



BASEBAND\_FLASH\_GSM

201 - 210

C200 an J8+K7+K5 in PCB  
C209 an C5 in PCB  
C207 an L3 in PCB

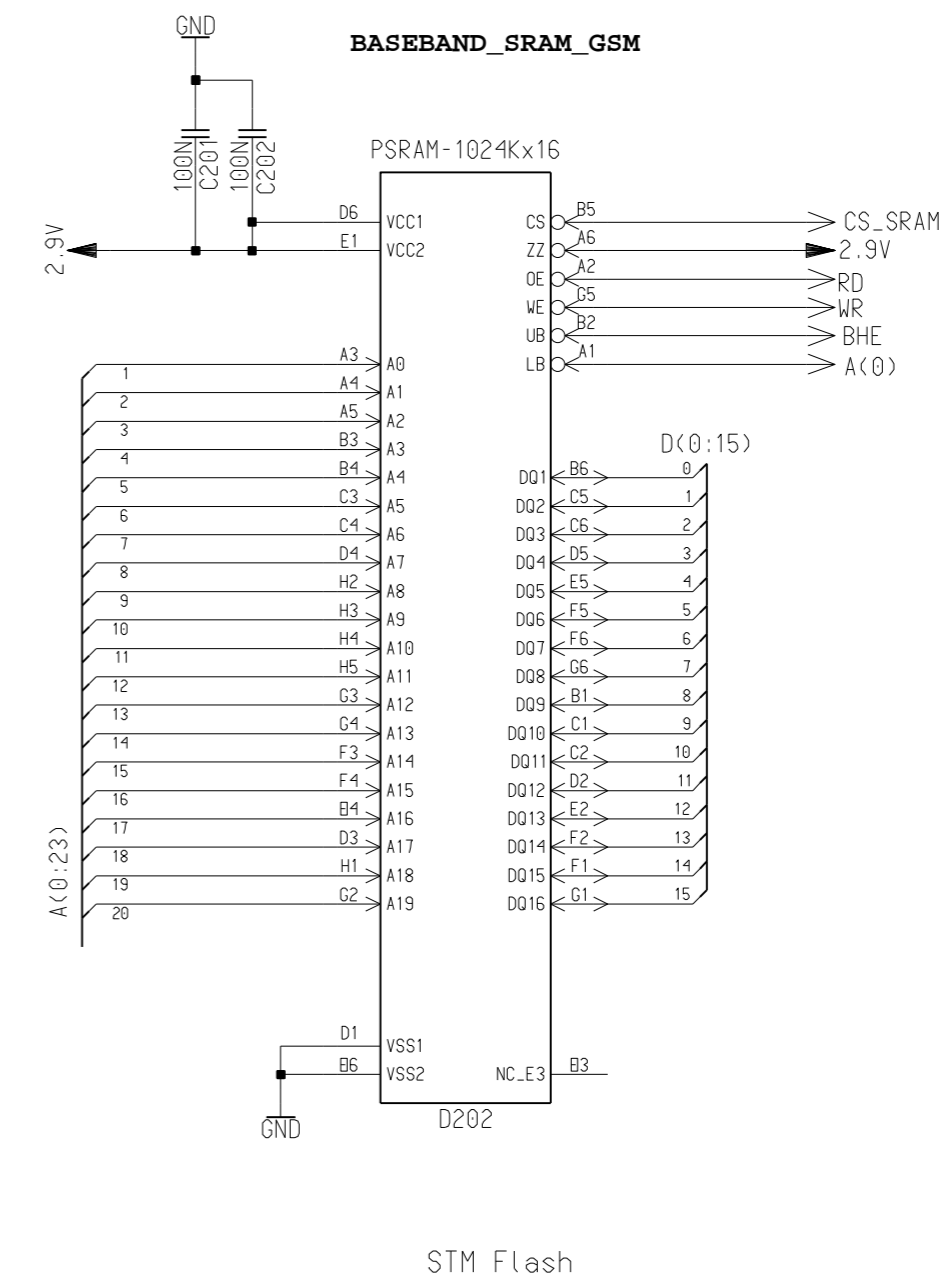


1.8V

C211 an B5+B6 in PCB

C210 an L4+K6 in PCB

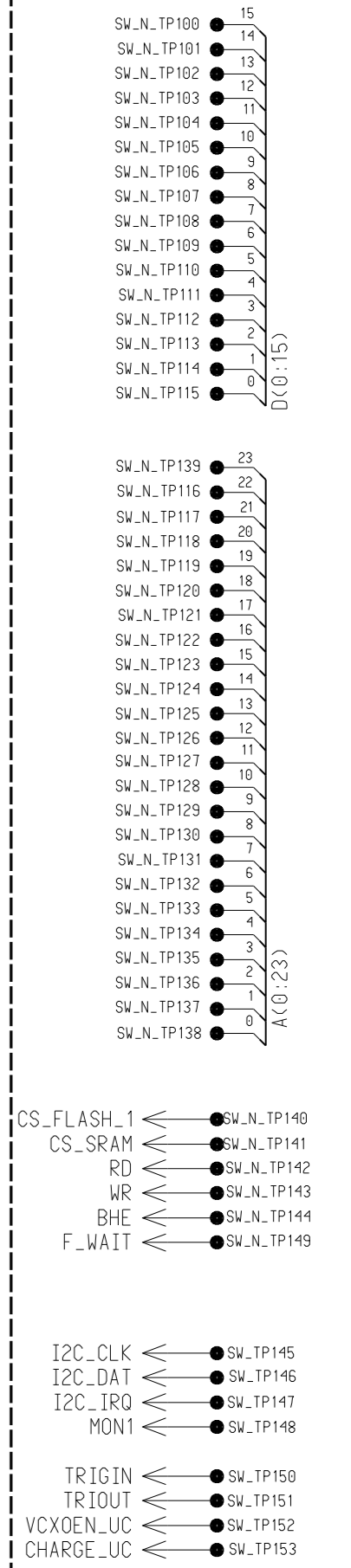
BASEBAND\_SRAM\_GSM



STM Flash

SW-TESTPUNKTE

100 - 153



**Confidential**  
Copyright © Siemens AG

VBRS.	CHANGE NUMBER	DATE	NAME	DATE	13.07.2004	RenLi	Puma B5E Mainboard B2 Variante 1 TOP HIERARCHY LEVEL SCHEMATIC	1:1
7	16840	13.07.2004	Ren	USER	RenLi			
6	15246	24.05.2004	Ren	APPR'D				
5	13974	11.04.2004	Ren					
4	13102	11.03.2004	Ren		ICM MP PD BJ			
3	12430	19.02.2004	Ren					
2	11522	13.01.2004	Ren					
1	10995	15.12.2003	Ren			Siemens AG	60449	sheet5

( Created by BOM number: A5B00900139544-16840 )

Proprietary data, Company confidential.  
all rights reserved

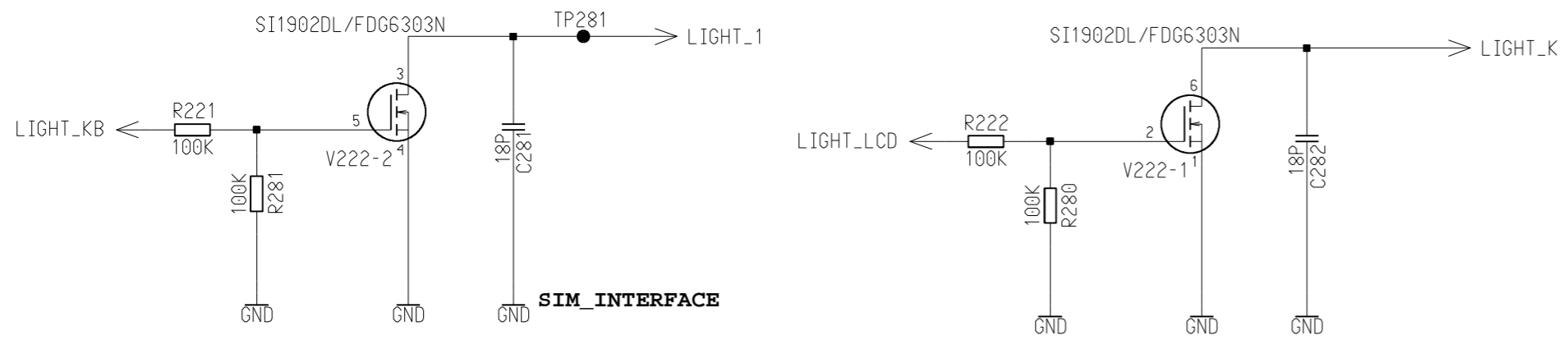
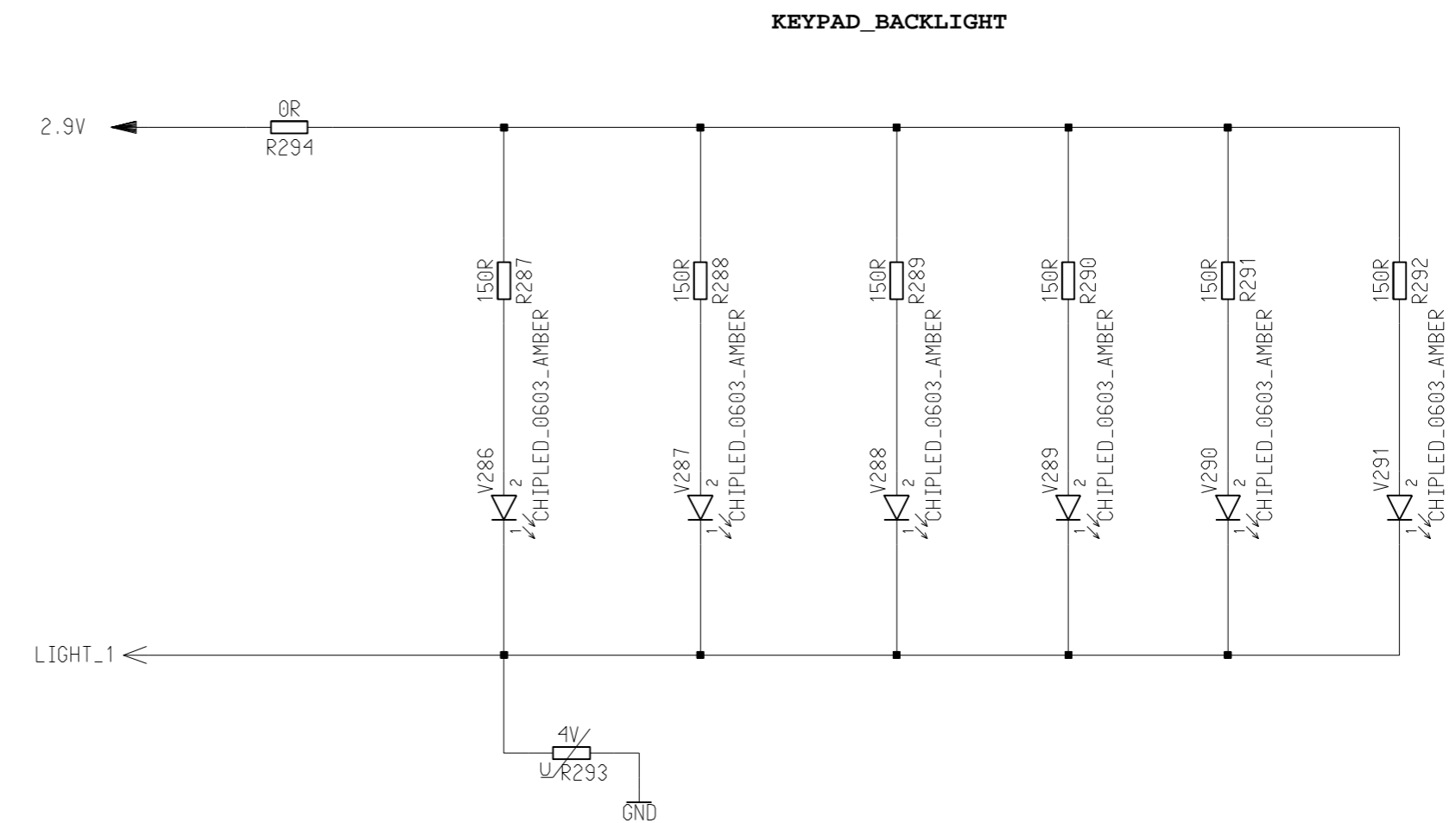
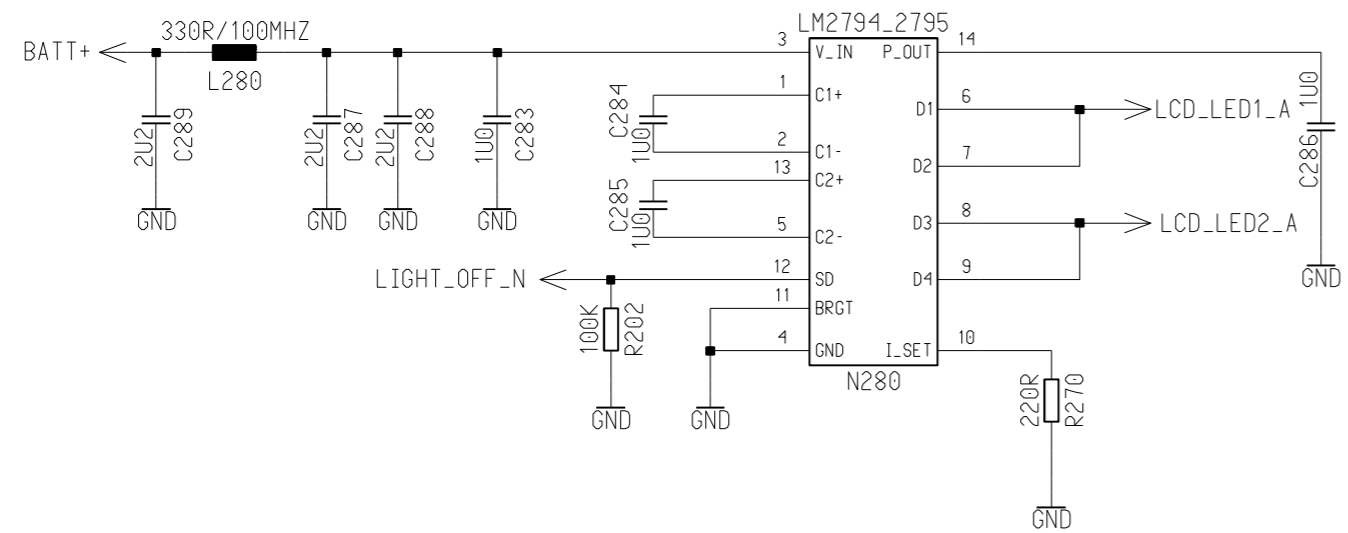
Als Betriebsgeheimnis anvertraut  
alle Rechte vorbehalten



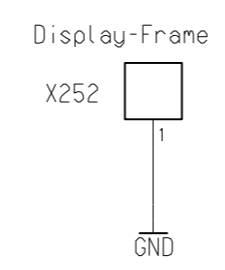
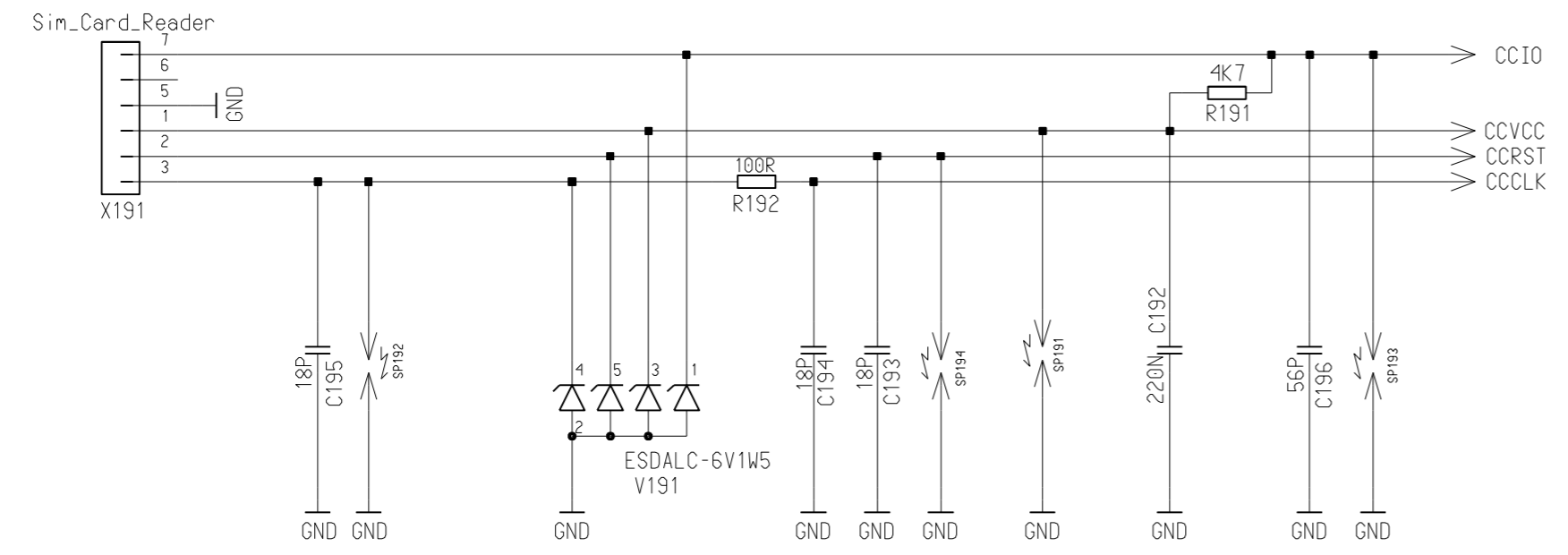
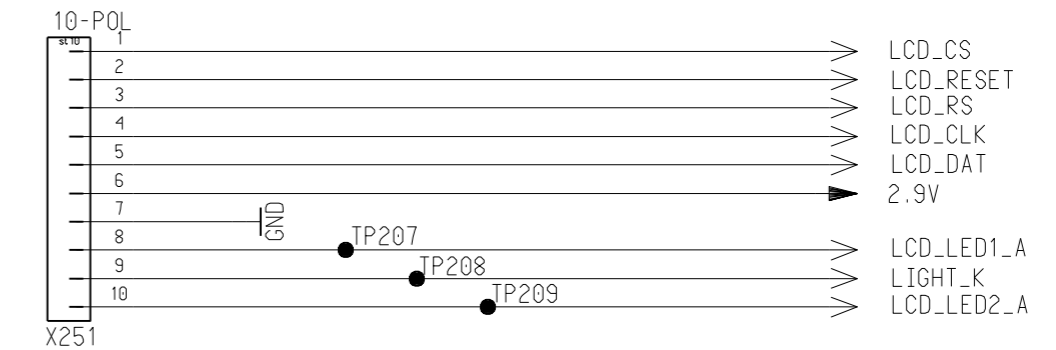








Logic/Display\_Interface  
251-270



**Confidential**  
Copyright © Siemens AG

VERS.	CHANGE NUMBER	DATE	NAME	DATE	13.07.2004	Ren	USER	RenLi
7	16840	13.07.2004	Ren	USER	RenLi			
6	15246	24.05.2004	Ren	APPR'D				
5	13974	11.04.2004	Ren					
4	13102	11.03.2004	Ren					
3	12430	19.02.2004	Ren					
2	11522	13.01.2004	Ren					
1	10995	15.12.2003	Ren					

Siemens AG

Puma B5E Mainboard B2  
Variante 1  
TOP HIERARCHY LEVEL  
SCHEMATIC

60449

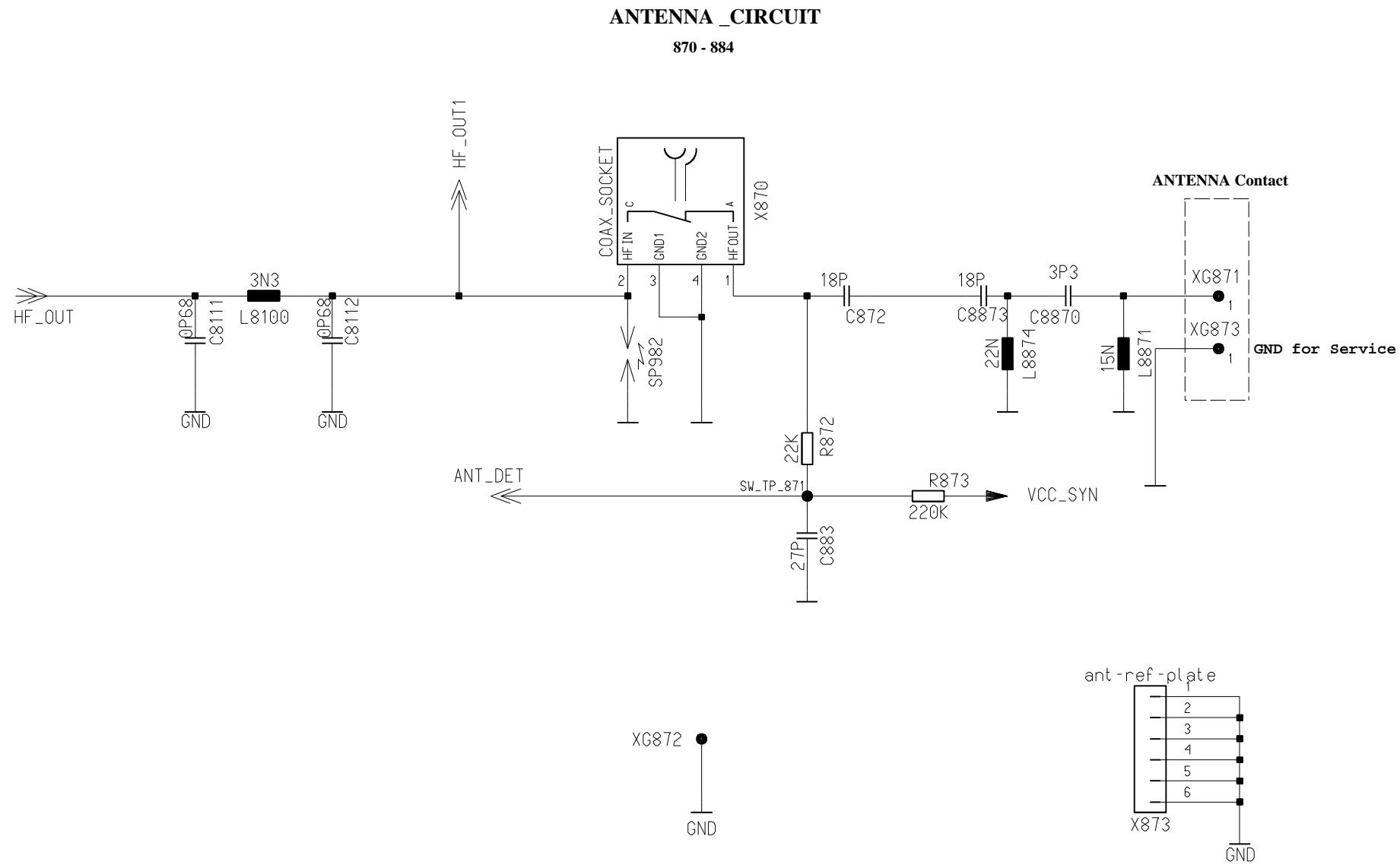
1:1

sheet9

( Created by BOM number: A5B00900139544-16840 )

Proprietary data, company confidential.  
All rights reserved

Als Betriebsgeheimnis anvertraut  
Alle Rechte vorbehalten



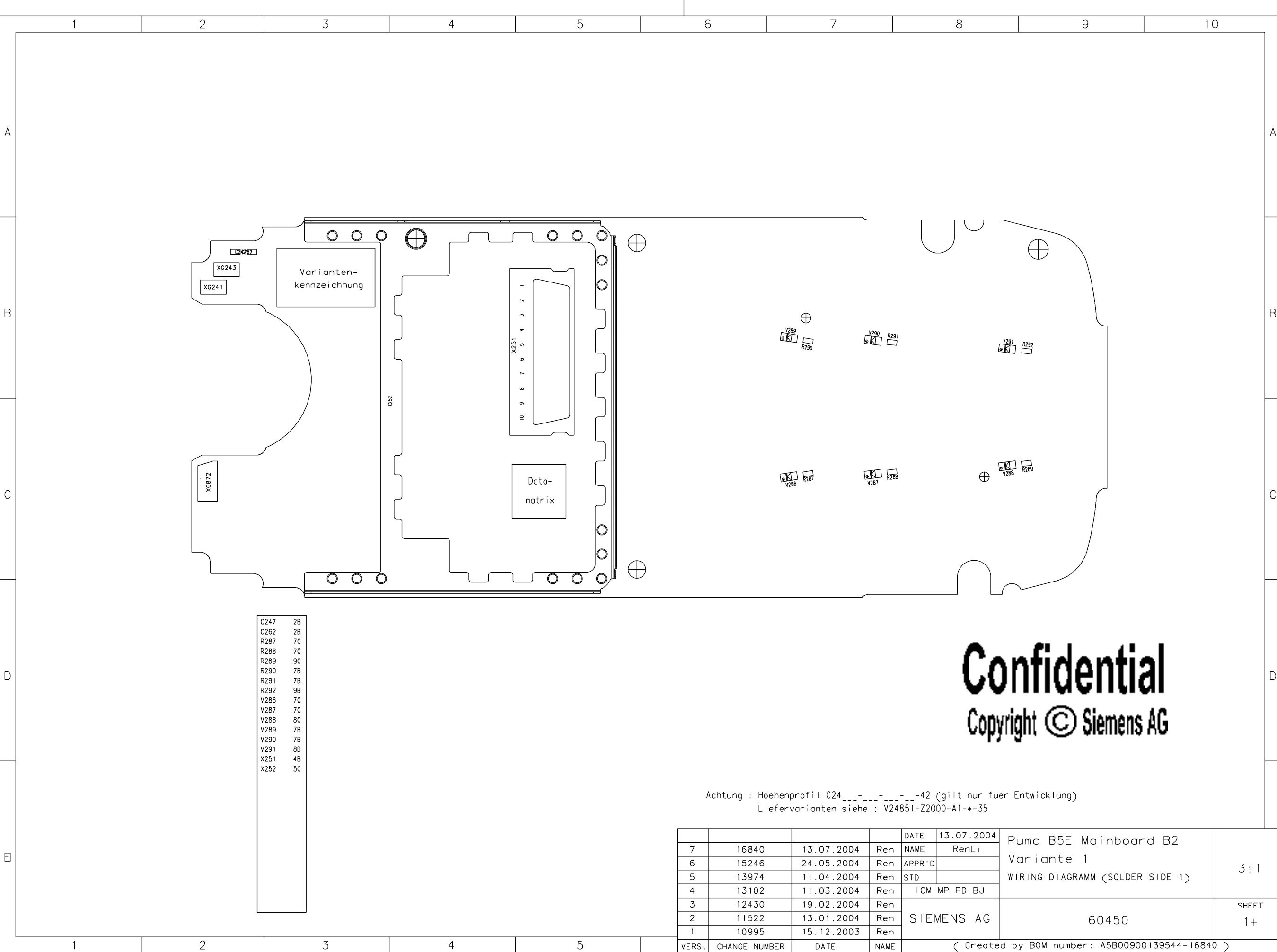
**Confidential**  
Copyright © Siemens AG

VER.	CHANGE NUMBER	DATE	NAME	DATE	13.07.2004	Puma B5E Mainboard B2 Variante 1 TOP HIERARCHY LEVEL SCHEMATIC	1:1
7	16840	13.07.2004	Ren	USER	RenLi		
6	15246	24.05.2004	Ren	APPR'D			
5	13974	11.04.2004	Ren				
4	13102	11.03.2004	Ren		ICM MP PD BJ		
3	12430	19.02.2004	Ren				
2	11522	13.01.2004	Ren		Siemens AG	60449	sheet10
1	10995	15.12.2003	Ren				

( Created by BOM number: A5B00900139544-16840 )

PROPRIETARY DATA, COMPANY CONFIDENTIAL  
ALL RIGHTS RESERVED

ALS BETRIEBSGEGHEIMNIS ANVERTRAUT  
ALLE RECHTE VORBEHALTEN



C247	2B
C262	2B
R287	7C
R288	7C
R289	9C
R290	7B
R291	7B
R292	9B
V286	7C
V287	7C
V288	8C
V289	7B
V290	7B
V291	8B
X251	4B
X252	5C

**Confidential**  
Copyright © Siemens AG

Achtung : Höhenprofil C24\_...\_...\_42 (gilt nur fuer Entwicklung)  
Liefervarianten siehe : V24851-Z2000-A1-\*35

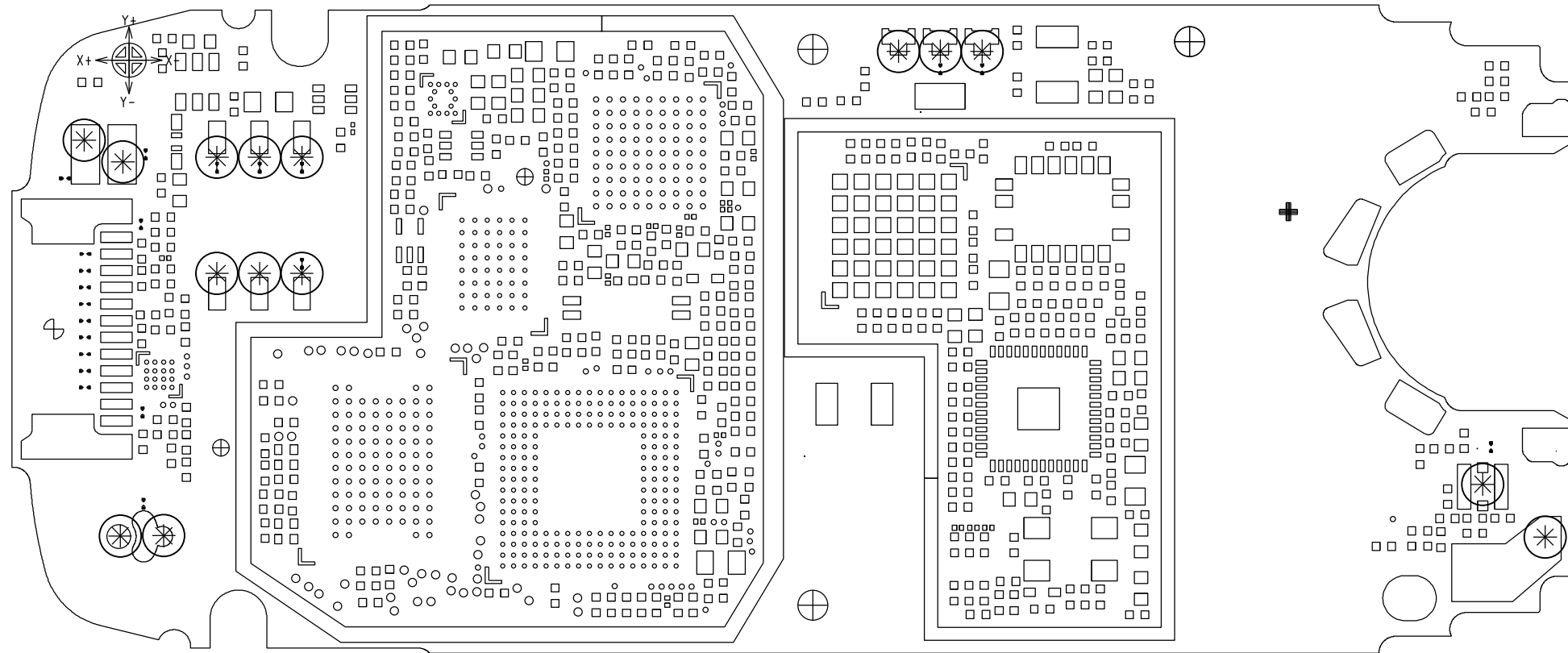
VERS.	CHANGE NUMBER	DATE	NAME	DATE	13.07.2004	Puma B5E Mainboard B2 Variante 1 WIRING DIAGRAMM (SOLDER SIDE 1)	3:1
7	16840	13.07.2004	Ren	NAME	RenLi		
6	15246	24.05.2004	Ren	APPR'D			
5	13974	11.04.2004	Ren	STD			
4	13102	11.03.2004	Ren	ICM MP PD BJ			
3	12430	19.02.2004	Ren				
2	11522	13.01.2004	Ren	SIEMENS AG			
1	10995	15.12.2003	Ren				
				60450		SHEET 1+	
( Created by BOM number: A5B00900139544-16840 )							





PROPRIETARY DATA, COMPANY CONFIDENTIAL  
ALL RIGHTS RESERVED

ALS BETRIEBSGEHEIMNIS ANVERTRAUT  
ALLE RECHTE VORBEHALTEN



**Confidential**  
Copyright © Siemens AG

				DATE	19.02.2004	Puma B5E Mainboard B1+ Variante 1 TESTPOINT DIAGRAMM (SIDE 2)	3:1
				NAME	RenLi		
				APPR'D			
				STD			
4	13974	11.04.2004	Ren	ICM MP PD BJ			
3	13102	11.03.2004	Ren				
2	12430	19.02.2004	Ren				
1	10995	15.12.2003	Ren				
VERS.	CHANGE NUMBER	DATE	NAME	( Created by BOM number: A5B00900139544-13974 )			
				SIEMENS AG		60451	SHEET 2-