

Proprietary data, company confidential.
All rights reserved

Als Betriebsgeheimnis anvertraut
Alle Rechte vorbehalten

1	2	3	4	5
HIERARCHY		SHEET		PDF-SHEET
A5B00900202751-33061		index		sheet 1
		netlist1		sheet 2
		poslist1		sheet 3
		page1		----
		sheet1		sheet 4
		sheet2		sheet 5
		sheet3		sheet 6
		sheet4		sheet 7
		sheet5		sheet 8
		sheet6		sheet 9
		sheet7		sheet 10
		sheet8		sheet 11
		sheet9		sheet 12
		sheet10		sheet 13
		sheet11		sheet 14

				DATE	12.28.2005	PELICAN B2 MAINBOARD Variant 1 AMD FLASH TOP HIERARCHY LEVEL SCHEMATIC	1:1
				USER	WUSHUGANG		
				APPR'D			
				BENQ MOBILE			
				Siemens AG		234525	index
2	34923	12.28.2005	WSG				
1	33047	11.09.2005	WSG				
VERS.	CHANGE NUMBER	DATE	NAME	(Created by BOM number: A5B00900201458-34923)			

Proprietary data, company confidential.
All rights reserved

Als Betriebsgeheimnis anvertraut
Alle Rechte vorbehalten

	1	2	3	4	5	6	7	8	9	10
	1.5V /sheet7 14 B /sheet5 2 C	CCVCC /sheet7 14 B /sheet10 7 F	HF_OUT /sheet2 4 C /sheet1 1 B	KB8 /sheet5 8 E /sheet3 11 D /sheet11 8 B	/sheet1 9 F POWER /sheet8 9 E /sheet7 2 C	RF_RAMP1 /sheet5 6 C /sheet4 4 C /sheet2 2 C /sheet1 1 F	TTRACE /sheet5 13 D	/sheet8 11 F /sheet7 14 B /sheet7 2 G /sheet7 2 C /sheet7 11 C		
	3_SIN26M /sheet1 13 D	CHARGE_UC /sheet7 10 C /sheet6 15 F /sheet5 14 D	HF_OUT1 /sheet4 10 E /sheet2 6 C	KB9 /sheet5 8 E /sheet3 11 D /sheet11 8 B	RD /sheet6 5 E /sheet6 15 E /sheet6 5 B /sheet6 11 D /sheet5 10 F	RF_SIN26M /sheet5 11 C /sheet4 2 C /sheet4 4 C /sheet1 14 D	TVCO /sheet5 14 A /sheet5 1 D /sheet4 2 D /sheet4 4 D /sheet1 15 C	/sheet5 10 A /sheet5 4 C /sheet5 10 B /sheet5 13 B /sheet11 7 F /sheet11 10 F		
	A(0) /sheet6 5 E	CS_FLASH_1 /sheet6 15 E /sheet6 5 B /sheet6 5 C /sheet6 11 D /sheet6 11 D /sheet5 13 F	HW_CODING1 /sheet5 12 B /sheet5 8 D	LCD_CLK /sheet5 9 C /sheet11 7 C	RESET_UC /sheet7 11 C /sheet6 11 D /sheet6 7 B /sheet6 5 B /sheet5 12 C	RF_STR /sheet5 14 E /sheet4 4 A /sheet4 2 A /sheet1 15 E	TX /sheet8 13 F /sheet5 9 C	VEBU_1.8 /sheet7 5 E /sheet6 6 E /sheet11 8 C		
	A(0:23) /sheet6 2 F /sheet6 15 E /sheet6 9 E /sheet6 2 C /sheet5 13 F	CS_FLASH_1 /sheet6 15 E /sheet6 5 B /sheet6 5 C /sheet6 11 D /sheet6 11 D /sheet5 10 F	HW_CODING2 /sheet5 12 B /sheet5 8 D	LCD_CS /sheet5 10 C /sheet11 7 C	RF_TSONPA /sheet5 8 E /sheet4 4 D /sheet1 1 E	TX_1 /sheet8 9 E	VEBU_1.8FLASH /sheet6 5 D /sheet6 5 D /sheet6 2 D /sheet6 7 D /sheet6 8 D /sheet6 11 C /sheet6 10 C			
	A(23) /sheet5 8 E	CS_SRAM /sheet6 5 E /sheet6 15 E /sheet5 10 F	HW_CODING3 /sheet5 12 B /sheet5 14 E	LCD_DAT /sheet5 9 C /sheet11 7 C	RF_AFC /sheet5 10 C /sheet4 4 C /sheet4 2 C /sheet1 15 C	TX_GSM_OUT /sheet1 4 B /sheet1 7 G	VEBU_1.8FLASH /sheet6 5 D /sheet6 5 D /sheet6 2 D /sheet6 7 D /sheet6 8 D /sheet6 11 C /sheet6 10 C			
	AC_CTS /sheet8 13 F /sheet5 9 C	CTS_1 /sheet8 9 E	HW_CODING4 /sheet5 8 D /sheet5 12 A	LCD_RESET /sheet5 10 C /sheet11 7 C	RF_ANT_DET /sheet5 14 D /sheet4 4 D /sheet4 2 D /sheet2 7 D	TX_PCN_OUT /sheet1 4 B /sheet1 7 F	VEBU_1.8PSRAM /sheet6 8 E /sheet6 1 E			
	AC_DCD /sheet8 13 E /sheet5 14 E	D(0:15) /sheet6 15 B /sheet6 5 B /sheet6 12 E /sheet6 4 F /sheet5 12 C	HW_CODING5 /sheet5 10 C /sheet5 9 C /sheet5 15 B	LCD_RS /sheet5 9 C /sheet11 7 C	RTX_INT /sheet7 7 C /sheet5 12 C	VBAT /sheet5 9 B /sheet5 1 E	VEBU_2.9 /sheet7 5 F /sheet6 7 A /sheet6 6 A /sheet6 1 E /sheet6 2 B /sheet6 5 E /sheet5 4 C /sheet5 4 B /sheet5 11 G /sheet5 13 B /sheet11 8 C			
	AC_RTS /sheet8 13 F /sheet5 9 C	EPN1 /sheet9 5 F /sheet7 13 D	HW_CODING6 /sheet5 10 F /sheet5 10 G /sheet5 15 B	LIGHT_1 /sheet10 11 B /sheet10 14 E	RF_BAND_SW /sheet5 8 D /sheet4 4 F /sheet4 2 F /sheet1 7 F	VBOOST /sheet7 10 F /sheet11 8 B /sheet10 9 E	VEBU_2.9 /sheet7 5 F /sheet6 7 A /sheet6 6 A /sheet6 1 E /sheet6 2 B /sheet6 5 E /sheet5 4 C /sheet5 4 B /sheet5 11 G /sheet5 13 B /sheet11 8 C			
	AGND /sheet5 3 G /sheet5 5 G /sheet5 4 F /sheet5 5 F	DCD_1 /sheet8 9 E	I2C_CLK /sheet7 10 C /sheet6 15 F /sheet5 9 C	LIGHT_2 /sheet11 8 B /sheet10 7 C	RF_CLK /sheet5 14 F /sheet4 4 A /sheet4 2 A /sheet1 15 E	VDDA_2.65V /sheet8 3 B /sheet7 14 B /sheet7 10 C /sheet5 5 C	VEBU_2.9FLASH /sheet6 5 C /sheet6 11 D /sheet6 2 B /sheet6 9 D /sheet6 11 D			
	AKKU_TYP /sheet8 4 A /sheet5 11 A	EPP1 /sheet9 5 E /sheet7 13 D	I2C_DAT /sheet7 10 C /sheet6 15 F /sheet5 9 C	LIGHT_KB /sheet5 15 E /sheet10 9 B	RF_DAT /sheet5 14 F /sheet4 4 B /sheet4 2 B /sheet1 15 D	SLEEPQ /sheet7 7 B /sheet5 8 D	VIBRA_UC /sheet9 10 B /sheet5 14 D			
	AUDIO_L /sheet8 9 F /sheet7 13 D	EPPA1 /sheet5 7 E /sheet11 6 C	I2C_IRQ /sheet7 10 C /sheet6 15 F /sheet5 11 D	LIGHT_LCD /sheet5 11 C /sheet10 4 A	STEPUP_SHUD /sheet7 7 G /sheet5 15 E	TBAT /sheet5 11 A /sheet5 1 E	VMIC /sheet5 5 A /sheet5 4 A			
	AUDIO_R /sheet8 9 F /sheet7 13 D	EPPA2 /sheet5 7 E /sheet11 6 D	I2C_SDA0 /sheet7 7 E /sheet5 15 E	MICN1 /sheet9 5 B /sheet5 3 B /sheet5 1 D	RF_FE_DTR_DCS /sheet5 8 D /sheet4 4 C /sheet4 2 C /sheet1 2 C	TCK /sheet5 9 F /page1 3 C	VREGA /sheet7 7 E /sheet7 10 D /sheet7 8 E			
	BATT+ /sheet9 10 B /sheet8 4 B /sheet7 5 B /sheet7 7 A /sheet7 7 D /sheet7 1 F /sheet7 6 F /sheet5 9 A /sheet1 1 E /sheet1 7 E	F_WAIT /sheet6 15 E /sheet6 5 D /sheet6 11 D	I2C_SDA0 /sheet7 7 E /sheet5 15 E	MICN2 /sheet5 4 A /sheet5 1 D	RF_FE_DTR_GSM /sheet5 8 E /sheet4 2 C /sheet4 4 C /sheet1 2 C	VDD_CHARGE /sheet7 5 B /sheet7 7 C	VREGA /sheet7 7 E /sheet7 10 D /sheet7 8 E			
	BHE /sheet6 5 E /sheet6 15 E /sheet5 10 F	GND_MIC /sheet9 4 C /sheet8 9 F /sheet5 4 B /sheet5 6 A /sheet5 4 G /sheet5 6 C /sheet5 1 B /sheet5 4 B	I2C_SWA0 /sheet7 7 E /sheet5 15 E	MICP1 /sheet9 5 B /sheet5 3 B /sheet5 1 D	RF_I /sheet5 1 E /sheet4 4 B /sheet4 2 B /sheet1 9 F	VDD_RF1 /sheet7 14 B /sheet4 2 E /sheet4 4 E /sheet2 9 D /sheet1 11 A	WA_DOG /sheet7 6 C /sheet5 10 C			
	BREF /sheet5 15 A /sheet5 1 E	GND_STEPUP /sheet7 8 F /sheet7 7 G /sheet7 11 F /sheet7 10 G /sheet7 8 G /sheet7 7 F /sheet7 9 G	I2C_SDA0 /sheet7 7 E /sheet5 15 E	MICP2 /sheet8 9 F /sheet5 4 A /sheet5 1 D	RF_IX /sheet5 1 E /sheet4 2 B /sheet4 4 B /sheet1 10 F	VDD_RF2 /sheet7 14 B /sheet4 4 E /sheet4 2 E /sheet1 11 A /sheet1 11 C	WR /sheet6 5 E /sheet6 15 E /sheet6 5 B /sheet6 11 D /sheet5 10 F			
	BT_SIN26M /sheet1 13 D	GSM_PA_IN /sheet1 1 F /sheet1 9 F	I2C_SWA0 /sheet7 7 E /sheet5 15 E	MON1 /sheet5 9 F	TRIGIN /sheet6 15 F /sheet5 9 F	VDD_RTC /sheet7 14 B /sheet7 7 C /sheet5 9 C /sheet5 4 C				
	CCCLK /sheet5 14 D /sheet10 7 E	HALL_1 /sheet5 15 E /sheet11 7 G	KB0 /sheet5 8 E /sheet3 11 E	MON2 /sheet5 9 F /page1 3 B	RF_Q /sheet5 1 E /sheet4 4 B /sheet4 2 B /sheet1 10 F	VDD_SIM /sheet5 15 D /sheet5 4 C				
	CCIO /sheet5 14 D /sheet10 7 E	HALL_2 /sheet5 8 E /sheet11 9 G	KB2 /sheet5 8 E /sheet3 11 D	ON_OFF /sheet7 7 C /sheet5 7 E /sheet11 8 B	RF_QX /sheet5 1 E /sheet4 2 B /sheet4 4 B /sheet1 10 F	VDIG_2.65V				
	CCRST /sheet5 14 D /sheet10 7 E	HALL_2 /sheet5 8 E /sheet11 9 G	KB3 /sheet5 8 E /sheet3 11 D	PCN_PA_IN /sheet1 1 F						
			KB4 /sheet5 8 E /sheet3 11 D							
			KB6 /sheet5 8 E /sheet3 11 D /sheet11 8 B							
			KB7 /sheet5 8 E /sheet3 11 D /sheet11 8 B							

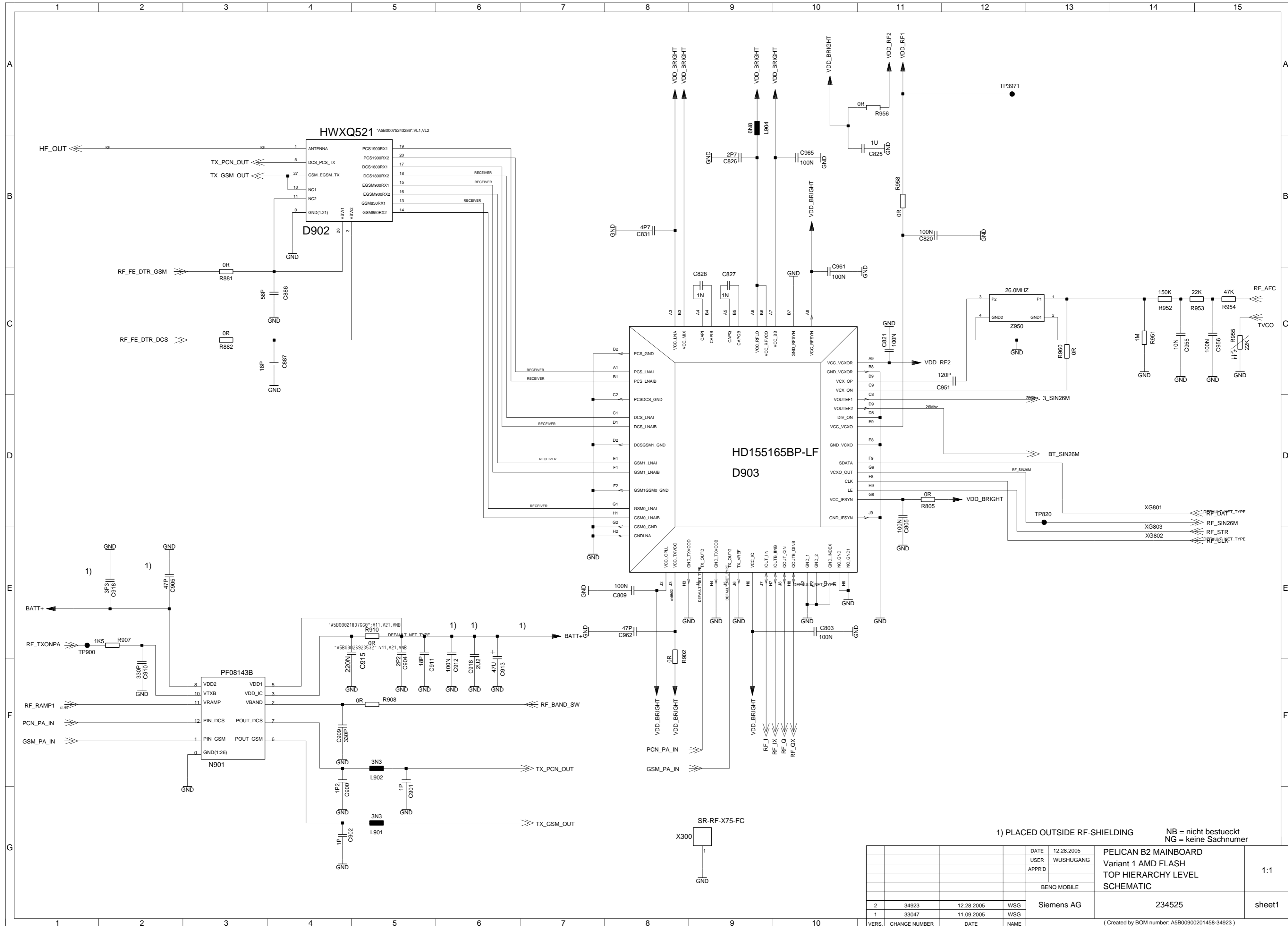
DATE	12.28.2005	USER	WUSHUGANG	APPR'D		BENQ MOBILE		
2		34923	12.28.2005	WSG	Siemens AG		234525	netlist1
1		33047	11.09.2005	WSG				
VERS.	CHANGE NUMBER	DATE	NAME	(Created by BOM number: A5B00900201458-34923)				

Proprietary data, company confidential.
All rights reserved

Als Betriebsgeheimnis anvertraut
Alle Rechte vorbehalten

	1	2	3	4	5	6	7	8	9	10		
A	C101 /sheet5 2 B C102 /sheet5 3 B C103 /sheet5 3 B C104 /sheet5 4 B C105 /sheet5 2 D C106 /sheet5 6 A C107 /sheet5 6 A C108 /sheet5 1 D C109 /sheet5 2 D C110 /sheet5 1 D C111 /sheet5 1 D C113 /sheet5 1 D C116 /sheet5 9 A C117 /sheet5 6 E C118 /sheet5 6 E C131 /sheet5 13 A C132 /sheet5 9 A C151 /sheet5 2 D C152 /sheet5 3 C C153 /sheet5 6 C C154 /sheet5 6 C C155 /sheet5 3 C C156 /sheet5 6 C C157 /sheet5 4 C C158 /sheet5 4 C C159 /sheet5 7 C C160 /sheet5 10 C C161 /sheet5 4 C C162 /sheet5 1 D C163 /sheet5 6 C C164 /sheet5 6 E C165 /sheet5 8 C C166 /sheet5 1 D C167 /sheet5 2 D C168 /sheet5 2 D C169 /sheet5 11 C C170 /sheet5 2 D C172 /sheet5 11 C C173 /sheet5 11 C C200 /sheet6 2 A C201 /sheet6 2 E C202 /sheet6 2 E C203 /sheet7 2 G C204 /sheet7 2 G C207 /sheet6 2 A C209 /sheet6 3 A C210 /sheet6 2 D C211 /sheet6 6 D C212 /sheet8 6 E C213 /sheet8 9 F C214 /sheet8 9 F C215 /sheet8 11 F C216 /sheet8 8 F C217 /sheet8 7 F C218 /sheet8 6 E C219 /sheet8 10 F C220 /sheet6 6 B C221 /sheet8 7 F C222 /sheet8 7 F C223 /sheet8 6 F C224 /sheet9 11 B C225 /sheet9 10 C C226 /sheet9 11 C C227 /sheet8 8 F C228 /sheet7 2 G C229 /sheet7 4 G C230 /sheet7 4 G C231 /sheet7 2 E C232 /sheet7 4 F C235 /sheet7 4 F C236 /sheet7 1 G C238 /sheet9 10 B C239 /sheet9 11 B C241 /sheet9 3 B C242 /sheet9 3 B C243 /sheet9 3 C C244 /sheet9 3 B C245 /sheet9 3 E C246 /sheet9 3 E C247 /sheet9 3 F C261 /sheet9 4 E C262 /sheet9 5 F C263 /sheet11 7 A C264 /sheet11 7 C C265 /sheet11 5 A C266 /sheet11 5 A C267 /sheet11 6 A	C268 /sheet11 6 A C269 /sheet11 5 A C270 /sheet11 7 C C271 /sheet11 4 D C272 /sheet11 4 D C273 /sheet11 5 D C274 /sheet11 5 D C275 /sheet11 5 D C276 /sheet11 5 D C277 /sheet11 5 D C278 /sheet11 6 A C279 /sheet11 5 A C280 /sheet11 7 A C281 /sheet10 10 B C298 /sheet8 7 E C299 /sheet8 7 E C302 /sheet7 12 D C304 /sheet7 12 D C350 /sheet7 5 B C351 /sheet7 5 B C352 /sheet7 5 C C353 /sheet7 5 C C354 /sheet7 5 C C359 /sheet7 7 E C360 /sheet7 7 E C361 /sheet7 7 E C362 /sheet7 7 B C363 /sheet7 9 B C364 /sheet7 7 B C365 /sheet7 7 B C366 /sheet7 7 B C367 /sheet7 7 B C368 /sheet7 12 B C369 /sheet7 12 B C370 /sheet7 12 B C371 /sheet7 12 B C372 /sheet7 13 B C373 /sheet7 13 B C374 /sheet7 13 B C375 /sheet7 7 C C376 /sheet7 6 D C377 /sheet7 9 D C379 /sheet7 10 D C380 /sheet7 6 D C383 /sheet7 10 D C385 /sheet7 9 E C386 /sheet7 7 E C389 /sheet7 11 E C390 /sheet7 12 E C392 /sheet7 12 E C393 /sheet7 12 E C395 /sheet7 13 B C396 /sheet7 10 E C397 /sheet7 11 E C398 /sheet7 14 C C399 /sheet7 11 C C803 /sheet1 10 E C805 /sheet1 11 E C809 /sheet1 8 E C817 /sheet1 13 E C818 /sheet1 13 E C819 /sheet1 14 E C820 /sheet1 11 B C821 /sheet1 11 C C824 /sheet1 9 B C825 /sheet1 10 B C826 /sheet1 9 B C827 /sheet1 9 C C828 /sheet1 9 C C831 /sheet1 8 B C851 /sheet11 10 F C852 /sheet11 8 F C853 /sheet11 8 F C854 /sheet11 10 F C855 /sheet11 7 G C856 /sheet11 10 G C886 /sheet1 4 C C887 /sheet1 4 C C900 /sheet1 4 G C901 /sheet1 5 G C902 /sheet1 4 G C903 /sheet1 5 G C904 /sheet1 5 F C905 /sheet1 2 E C906 /sheet1 2 F C907 /sheet1 2 E C908 /sheet1 4 F	C909 /sheet1 4 F C910 /sheet1 2 F C911 /sheet1 5 F C912 /sheet1 6 F C913 /sheet1 6 E C914 /sheet1 7 F C915 /sheet1 5 F C916 /sheet1 6 E C918 /sheet1 2 E C951 /sheet1 12 C C952 /sheet1 14 C C953 /sheet1 14 C C955 /sheet1 14 C C956 /sheet1 15 C C958 /sheet1 1 E C961 /sheet1 10 C C962 /sheet1 8 E C965 /sheet1 10 B C1335 /sheet7 6 F C1336 /sheet7 8 F C1337 /sheet7 6 F C1338 /sheet7 6 F C1339 /sheet7 7 F C1356 /sheet7 10 F C1357 /sheet7 10 F C1398 /sheet7 10 F C1400 /sheet8 4 B C1402 /sheet8 5 B C1405 /sheet8 4 B C1426 /sheet8 3 B C1604 /sheet10 7 G C1605 /sheet10 7 G C2320 /sheet10 5 A C3805 /sheet2 8 D C3807 /sheet2 11 D C3808 /sheet2 9 D C3811 /sheet2 5 D C3812 /sheet2 6 D C3816 /sheet2 9 C D171-1 /sheet5 2 E D171-2 /sheet5 13 F D202 /sheet6 3 G D203 /sheet6 10 F D204 /sheet6 3 D D361 /sheet7 8 E D902 /sheet1 4 B D903 /sheet1 8 E L214 /sheet8 8 F L215 /sheet8 8 F L220 /sheet9 12 B L221 /sheet9 12 B L901 /sheet1 5 G L902 /sheet1 5 F L904 /sheet1 9 B L1302 /sheet7 9 F L1303 /sheet7 7 F L3806 /sheet2 5 C L3807 /sheet2 10 C L3808 /sheet2 10 C L3809 /sheet2 10 D N307 /sheet7 2 E N308 /sheet7 2 G N901 /sheet1 3 F N1304 /sheet7 8 G R101-1 /sheet5 3 A R101-2 /sheet5 2 A R102-2 /sheet5 4 A R102-1 /sheet5 4 A R103 /sheet5 2 B R104 /sheet5 4 B R105 /sheet5 6 A R106 /sheet5 6 E R111 /sheet5 1 E R131 /sheet5 11 B R132 /sheet5 11 B R133 /sheet5 11 B R134 /sheet5 11 B R135 /sheet5 12 B R136 /sheet5 12 B R137 /sheet5 11 A R138 /sheet5 12 B R139 /sheet5 6 E R140 /sheet5 15 D R141 /sheet5 10 A R143 /sheet5 9 A R144 /sheet5 14 B R145 /sheet5 14 B	R146 /sheet5 9 B R147 /sheet5 10 G R148 /sheet5 14 B R149 /sheet5 14 B R153 /sheet5 4 C R156 /sheet5 11 G R158 /sheet5 8 C R159 /sheet5 10 C R160 /sheet5 6 D R161 /sheet5 10 C R162 /sheet5 15 D R168 /sheet5 13 A R169 /sheet5 14 A R203 /sheet6 7 B R206 /sheet6 6 B R207 /sheet6 2 E R208 /sheet6 7 D R209 /sheet6 7 E R210 /sheet6 4 G R211 /sheet8 5 F R212 /sheet8 5 F R213 /sheet8 6 F R220 /sheet9 10 C R221 /sheet10 9 B R241 /sheet9 4 B R242 /sheet9 4 B R243 /sheet9 4 E R244 /sheet9 5 E R266 /sheet10 9 E R267 /sheet10 9 E R268 /sheet10 10 F R281 /sheet10 10 C R282 /sheet11 5 C R283 /sheet11 5 C R284 /sheet11 6 C R285 /sheet11 6 C R286 /sheet11 6 C R361 /sheet7 2 C R362 /sheet7 3 C R363 /sheet7 4 C R366 /sheet7 14 B R368 /sheet7 9 B R369 /sheet7 14 C R371 /sheet7 7 C R372 /sheet7 10 E R373 /sheet7 3 B R390 /sheet7 9 C R391 /sheet7 10 C R395 /sheet7 7 C R396 /sheet7 10 C R397 /sheet7 7 B R500 /page1 3 B R805 /sheet1 11 D R806 /sheet1 11 D R851 /sheet11 7 G R852 /sheet11 10 G R881 /sheet1 3 C R882 /sheet1 3 C R902 /sheet1 8 F R907 /sheet1 2 E R908 /sheet1 5 F R910 /sheet1 5 E R950 /sheet1 10 F R951 /sheet1 14 C R952 /sheet1 14 C R953 /sheet1 14 C R954 /sheet1 15 C R955 /sheet1 15 C R956 /sheet1 11 A R957 /sheet1 11 A R958 /sheet1 11 B R959 /sheet1 12 D R960 /sheet1 13 C R961 /sheet1 13 C R1340 /sheet7 10 F R1341 /sheet7 10 F R1342 /sheet7 8 G R1343 /sheet7 11 F R1614 /sheet10 7 F R2201 /sheet5 10 C R2202 /sheet5 9 C R2203 /sheet5 9 C R2204 /sheet5 9 C R2310 /sheet10 4 A R2311 /sheet10 6 B R2312 /sheet10 6 C R2314 /sheet10 7 B	R2315 /sheet10 7 B R2316 /sheet10 8 B R3801 /sheet2 8 D R3802 /sheet2 9 D S851 /sheet11 10 G S852 /sheet11 7 G TP813 /sheet8 3 C TP361 /sheet7 2 C TP367 /sheet7 14 B TP364 /sheet7 5 E TP374 /sheet7 10 F TP369 /sheet7 14 B TP363 /sheet7 14 B TP371 /sheet7 10 C TP365 /sheet7 7 C TP368 /sheet7 14 B TP366 /sheet7 14 B TP161 /sheet5 9 F TP154 /sheet5 9 F TP157 /sheet5 7 E TP110 /sheet5 13 A TP131 /sheet5 14 A TP132 /sheet5 10 A TP151 /sheet5 9 F TP158 /sheet5 4 D TP155 /sheet5 9 F TP152 /sheet5 9 F TP156 /sheet5 9 F TP153 /sheet5 9 F TP282 /sheet11 6 C TP283 /sheet11 6 D TP272 /sheet11 5 B TP273 /sheet11 5 B TP281 /sheet10 11 B TP900 /sheet1 1 E TP3971 /sheet1 12 A TP820 /sheet1 13 D V151 /sheet5 8 E V211 /sheet9 11 B V220 /sheet9 11 B V222 /sheet10 11 B V266 /sheet10 11 F V267 /sheet10 12 F V268 /sheet10 13 F V269 /sheet10 10 F V276 /sheet10 11 E V277 /sheet10 12 E V278 /sheet10 13 E V279 /sheet10 10 E V286 /sheet10 11 E V287 /sheet10 12 E V288 /sheet10 13 E V289 /sheet10 10 E V361-2 /sheet7 4 C V361-1 /sheet7 3 C V950 /sheet1 13 C V1303 /sheet7 9 F V1400 /sheet8 3 B V2302 /sheet10 6 B V2303 /sheet10 6 C X100 /sheet5 2 G X211 /sheet8 2 F X300 /sheet1 9 G X1603 /sheet10 3 F X2750 /sheet11 3 D X3800 /sheet2 8 C X3802 /sheet2 13 D X3803 /sheet2 12 D Z171 /sheet5 11 C Z211 /sheet8 11 F Z950 /sheet1 13 C Z1601 /sheet10 4 E							

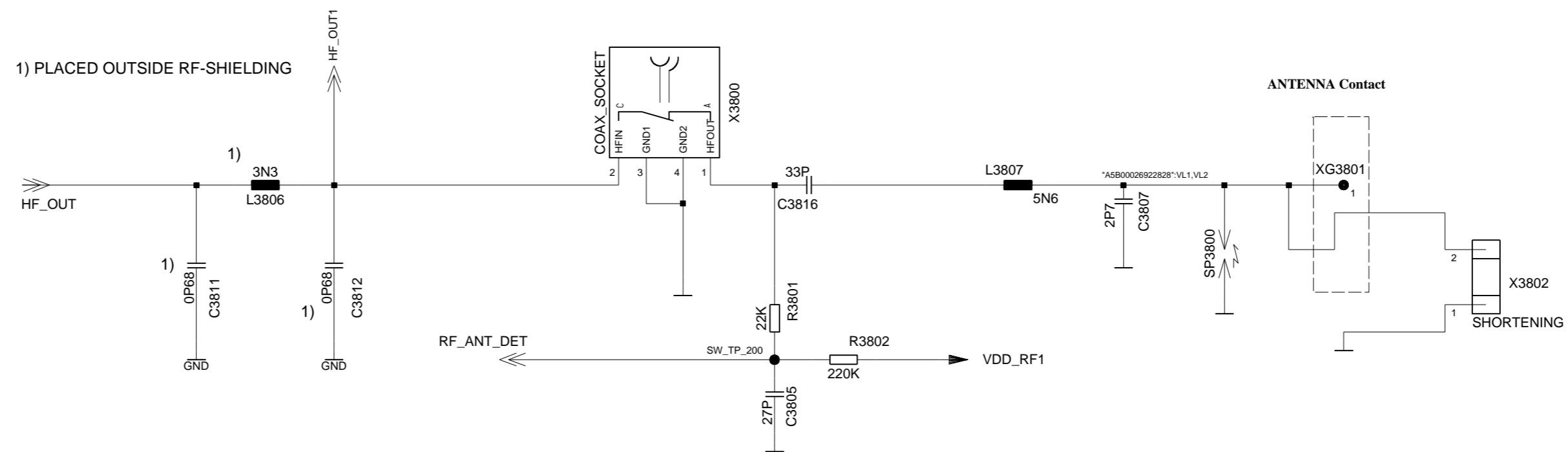
				DATE	12.28.2005	PELICAN B2 MAINBOARD Variant 1 AMD FLASH TOP HIERARCHY LEVEL SCHEMATIC	1:1
				USER	WUSHUGANG		
				APPR'D			
				BENQ MOBILE			
	2	34923	12.28.2005	WSG	Siemens AG	234525	poslist1
	1	33047	11.09.2005	WSG			
VERS.	CHANGE NUMBER	DATE	NAME	(Created by BOM number: A5B00900201458-34923)			



1) PLACED OUTSIDE RF-SHIELDING NB = nicht bestueckt
NG = keine Sachnummer

DATE	12.28.2005	PELICAN B2 MAINBOARD Variant 1 AMD FLASH TOP HIERARCHY LEVEL SCHEMATIC	1:1			
USER	WUSHUGANG					
APPR'D						
		BENQ MOBILE				
2	34923	12.28.2005	WSG	Siemens AG	234525	sheet1
1	33047	11.09.2005	WSG			
VERS.	CHANGE NUMBER	DATE	NAME	(Created by BOM number: A5B00900201458-34923)		

ANTENNA_CIRCUIT
3800-3849

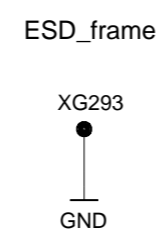
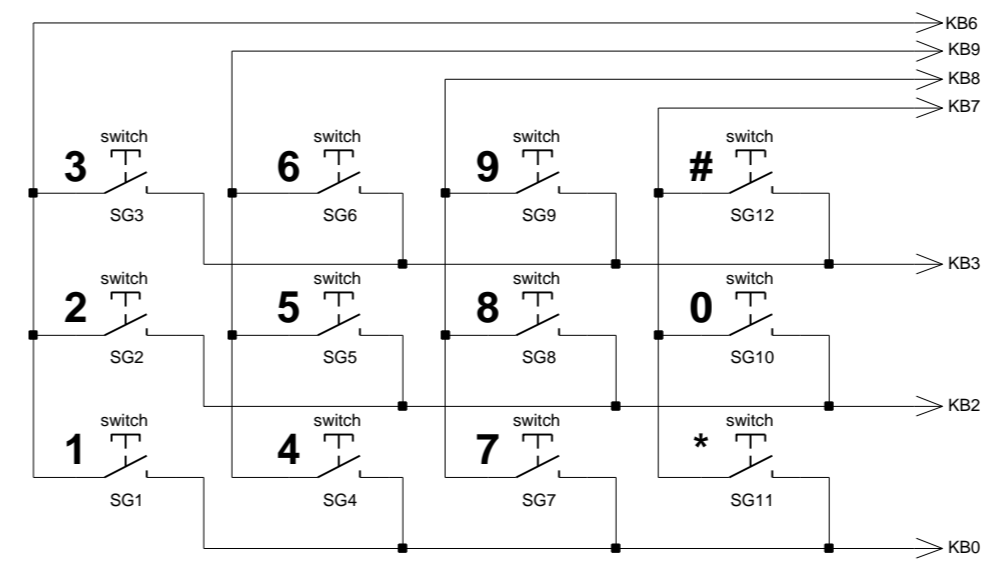


DATE	12.28.2005	PELICAN B2 MAINBOARD		
USER	WUSHUGANG	Variant 1 AMD FLASH		
APPR'D		TOP HIERARCHY LEVEL		1:1
		SCHEMATIC		
BENQ MOBILE				
2	34923	12.28.2005	WSG	Siemens AG
1	33047	11.09.2005	WSG	234525
				sheet2
(Created by BOM number: A5B00900201458-34923)				

Proprietary data, Company confidential.
all rights reserved

Als Betriebsgeheimnis anvertraut
alle Rechte vorbehalten

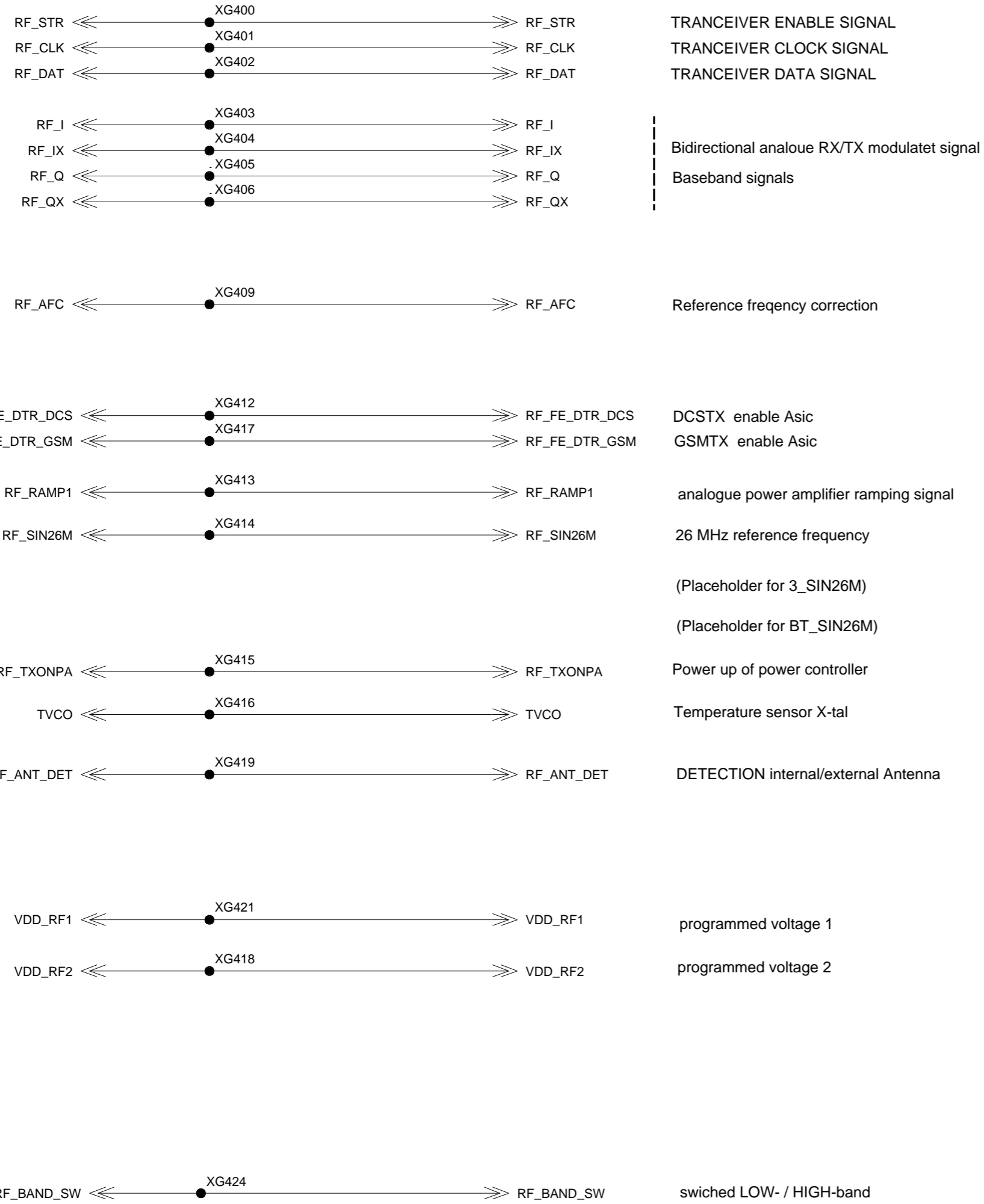
MMI MAINBOARD



			DATE	12.28.2005	PELICAN B2 MAINBOARD Variant 1 AMD FLASH TOP HIERARCHY LEVEL SCHEMATIC	1:1
			USER	WUSHUGANG		
			APPR'D			
			BENQ MOBILE			
	34923	12.28.2005	WSG	Siemens AG	234525	sheet3
	33047	11.09.2005	WSG			
VERS.	CHANGE NUMBER	DATE	NAME	(Created by BOM number: A5B00900201458-34923)		

HIT_POINTS LOGIK/HF_PART_1_SD2

400-449



DATE	12.28.2005	PELICAN B2 MAINBOARD Variant 1 AMD FLASH TOP HIERARCHY LEVEL SCHEMATIC	1:1
USER	WUSHUGANG		
APPR'D			
BENQ MOBILE		Siemens AG	234525
VERS.	CHANGE NUMBER		
2	34923	12.28.2005	WSG
1	33047	11.09.2005	WSG
(Created by BOM number: A5B00900201458-34923)			

1 2 3 4 5 6 7 8 9 10 11 12 13 14 15

A

B

C

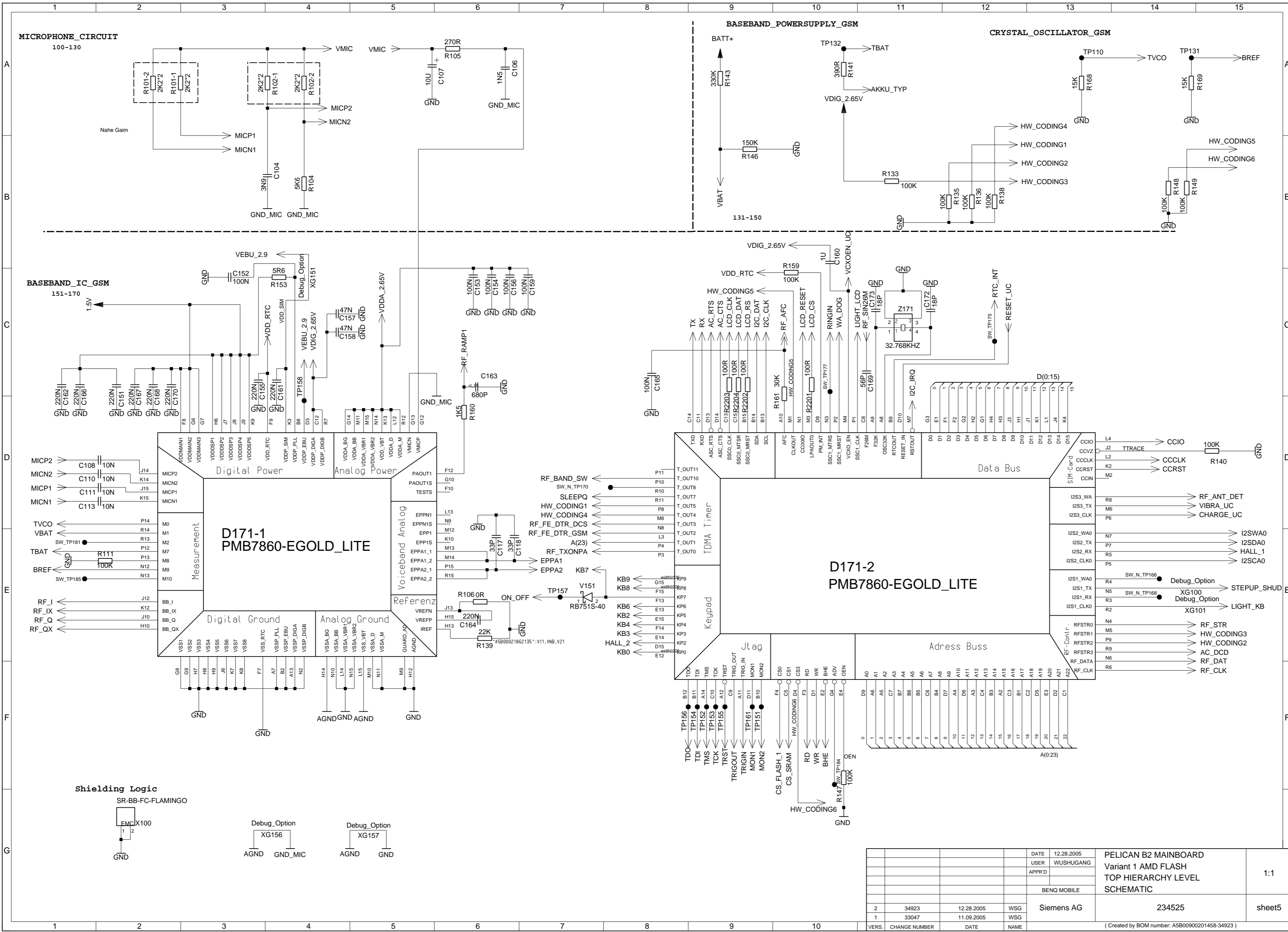
D

E

F

G

1 2 3 4 5 6 7 8 9 10 11 12 13 14 15



DATE	12.28.2005	PELICAN B2 MAINBOARD	
USER	WUSHUGANG	Variant 1 AMD FLASH	
APPRD		TOP HIERARCHY LEVEL	
		SCHEMATIC	
BENQ MOBILE			
Siemens AG		234525	sheet5
VERS.	CHANGE NUMBER	DATE	NAME
2	34923	12.28.2005	WSG
1	33047	11.09.2005	WSG

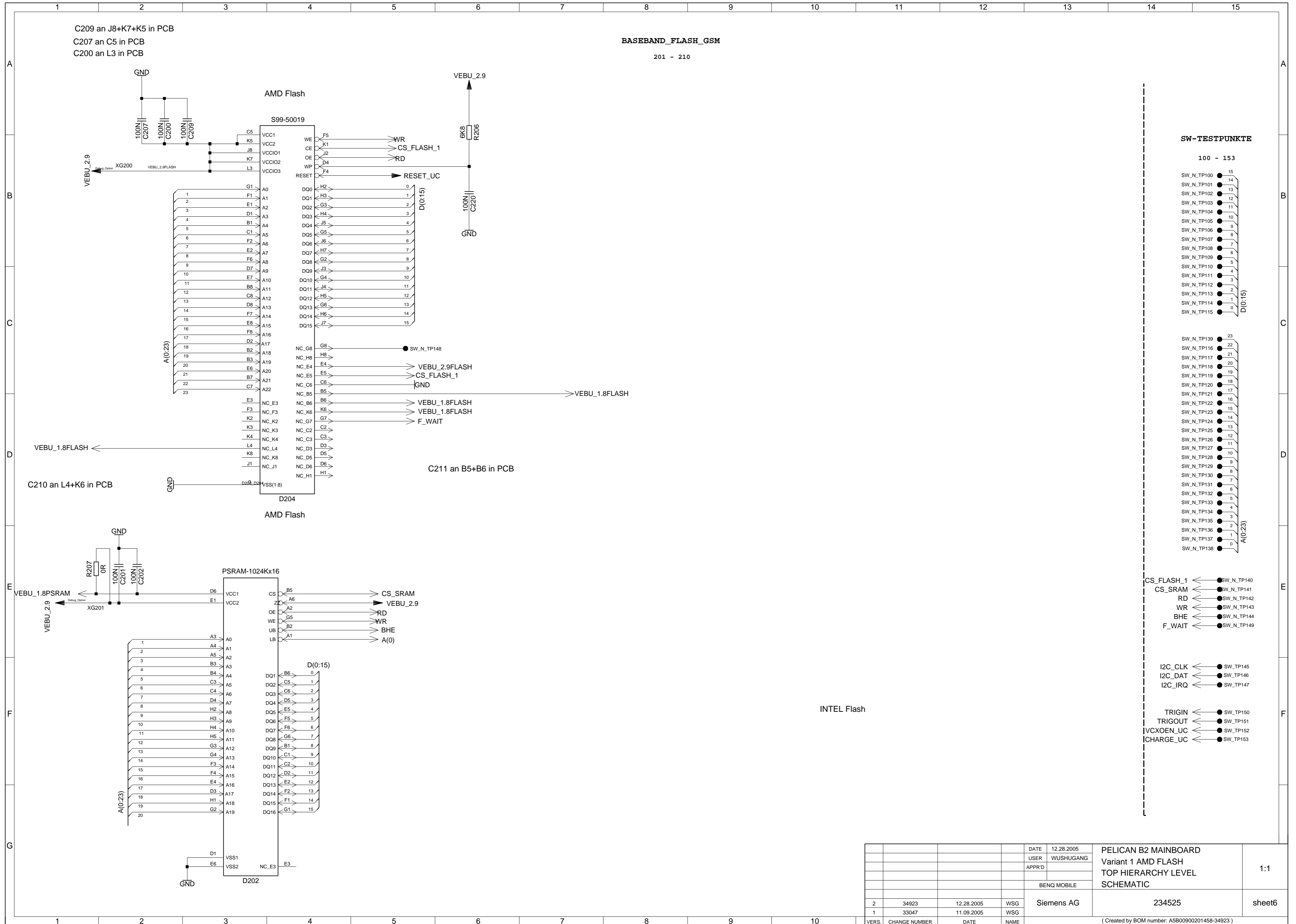
(Created by BOM number: A580900201458-34923)

Proprietary data, Company confidential.
all rights reserved

Als Betriebsgeheimnis anvertraut
alle Rechte vorbehalten

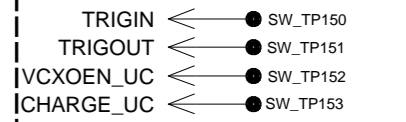
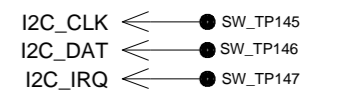
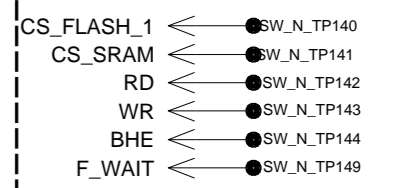
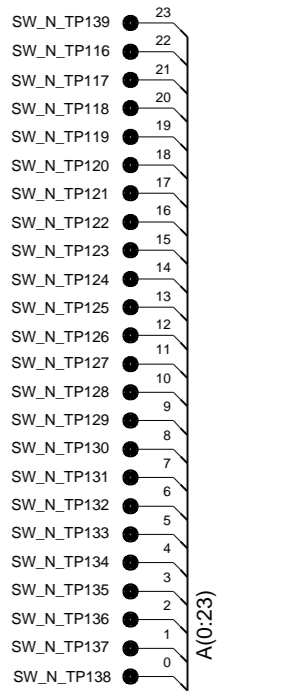
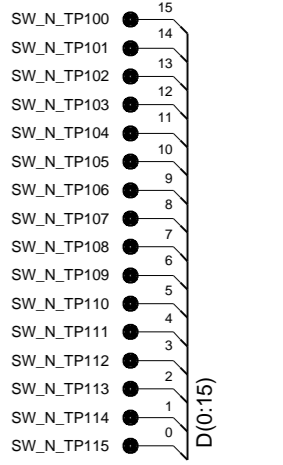
BASEBAND_FLASH_GSM

201 - 210



SW-TESTPUNKTE

100 - 153

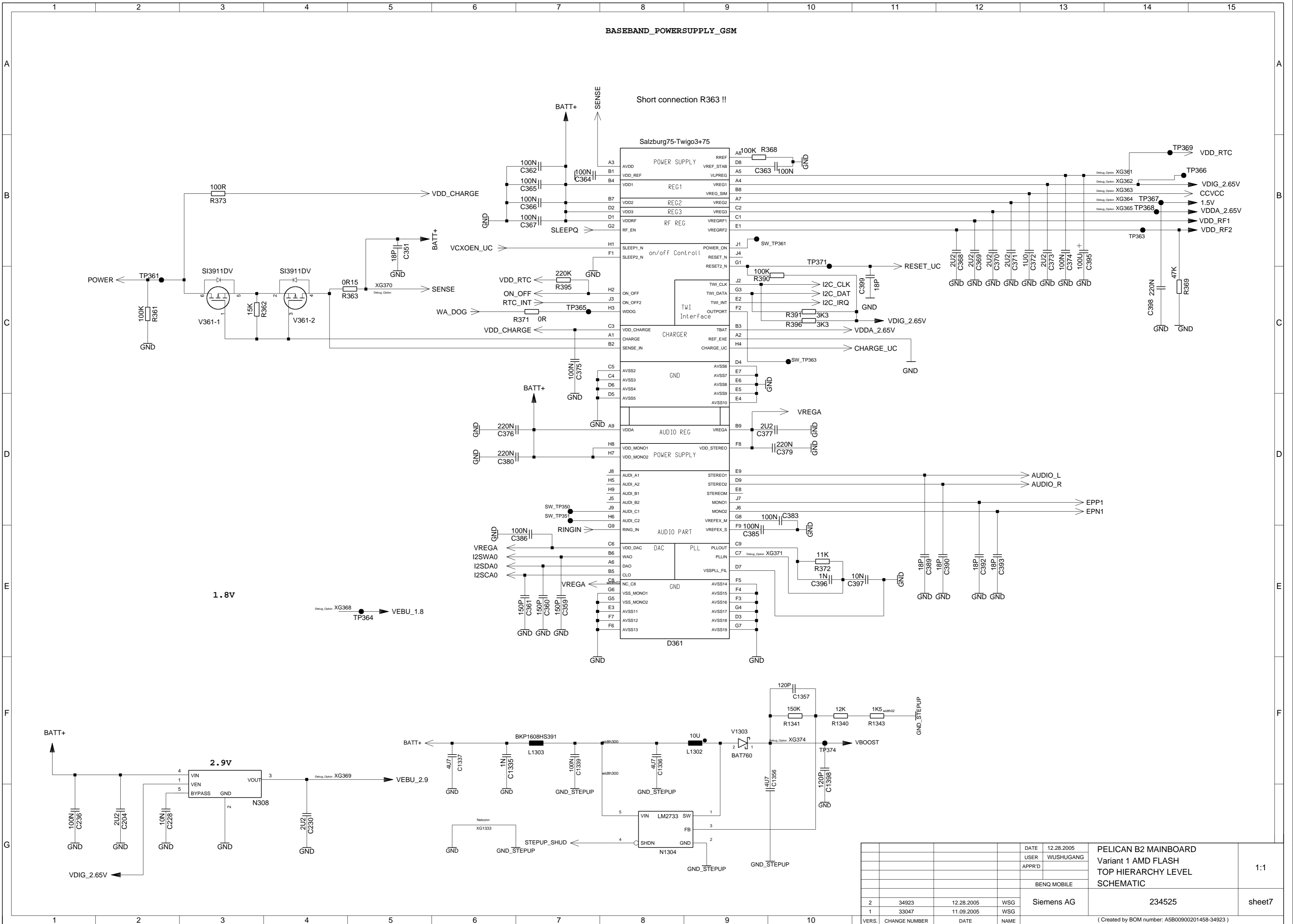


VERS.	CHANGE NUMBER	DATE	NAME	DATE	USER	APPRD	BENQ MOBILE	Siemens AG	234525	1:1
				12.28.2005	WUSHUGANG					
				12.28.2005	WSG					
				11.09.2005	WSG					
(Created by BOM number: A5B00900201458-34923)										

PELICAN B2 MAINBOARD
Variant 1 AMD FLASH
TOP HIERARCHY LEVEL
SCHEMATIC

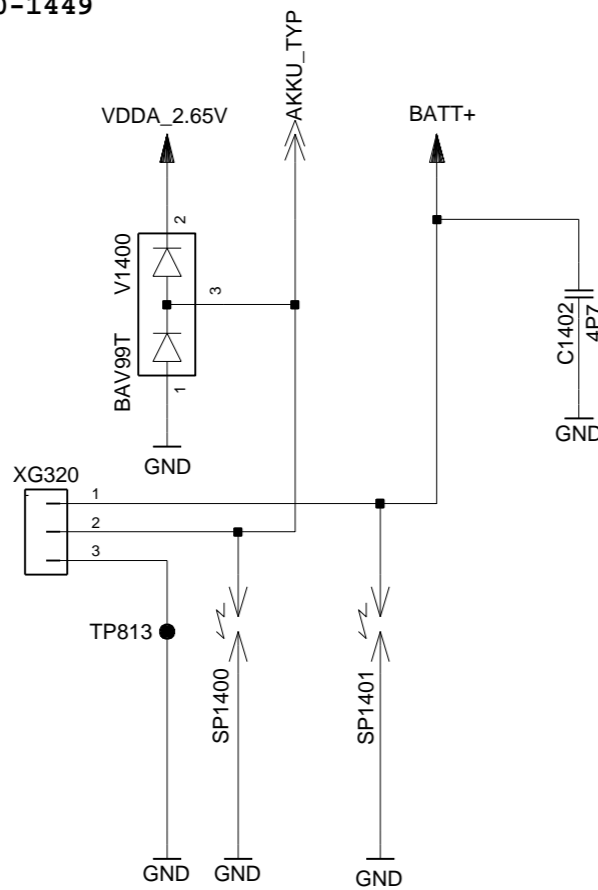
sheet6

BASEBAND_POWERSUPPLY_GSM

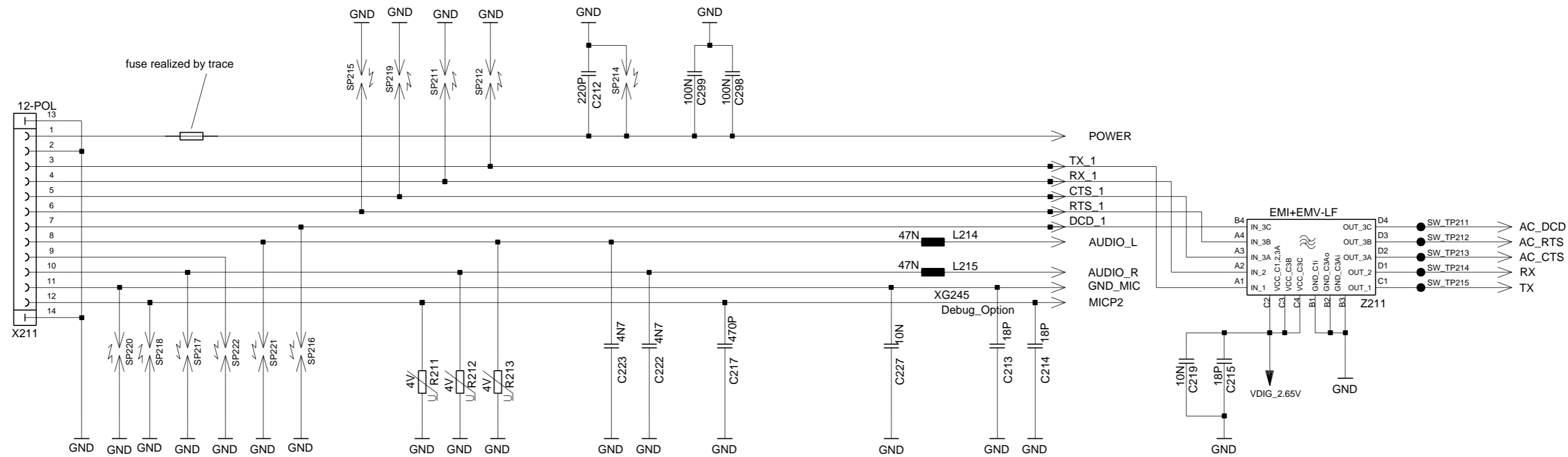


DATE	12.28.2005	PELICAN B2 MAINBOARD Variant 1 AMD FLASH TOP HIERARCHY LEVEL SCHEMATIC	1:1
USER	WUSHUGANG		
APPRD			
		BENQ MOBILE	
2	34923	12.28.2005	WSG
1	33047	11.09.2005	WSG
VERS.	CHANGE NUMBER	DATE	NAME
		Siemens AG	
		234525	
		sheet7	
(Created by BOM number: A5B00900201458-34923)			

BATTERY CONNECTOR
1400-1449



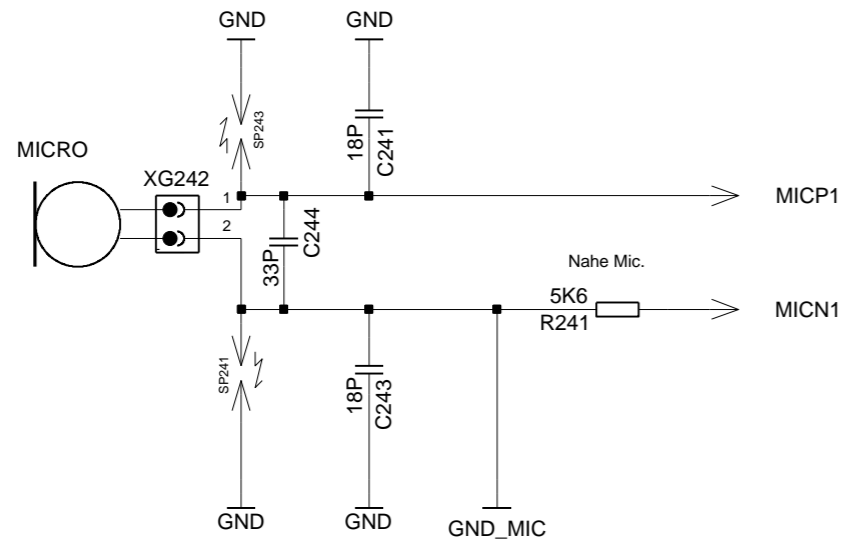
IO_INTERFACE
211 - 230



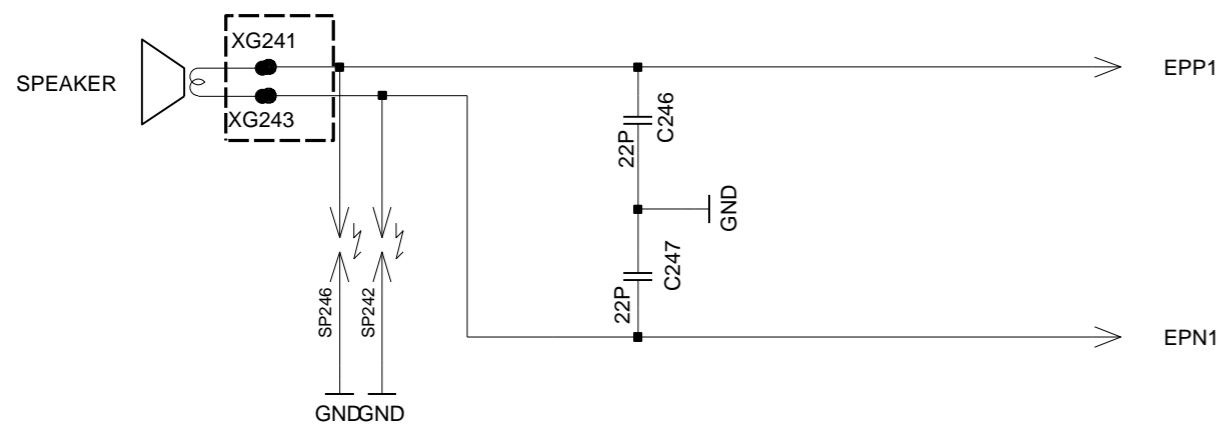
shorted footprint with trace between pads at layout

DATE	12.28.2005	PELICAN B2 MAINBOARD	
USER	WUSHUGANG	Variant 1 AMD FLASH	
APPR'D		TOP HIERARCHY LEVEL	1:1
		SCHEMATIC	
		BENQ MOBILE	
2	34923	12.28.2005	WSG
1	33047	11.09.2005	WSG
Siemens AG		234525	sheet8
(Created by BOM number: A5B00900201458-34923)			

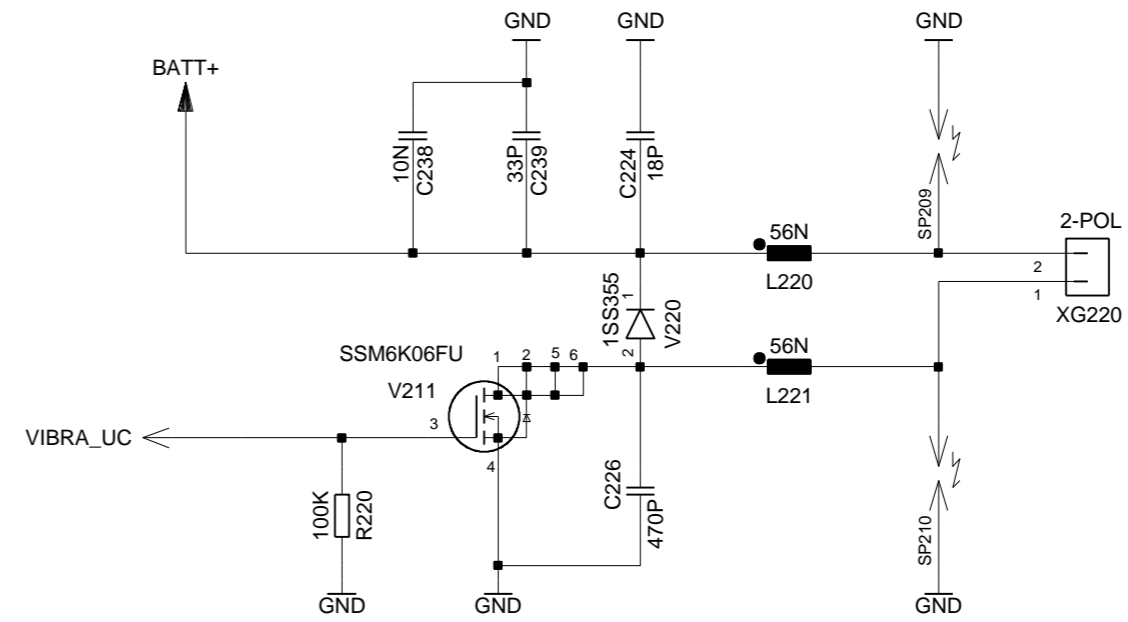
MICROPHONE_CIRCUIT
241-250



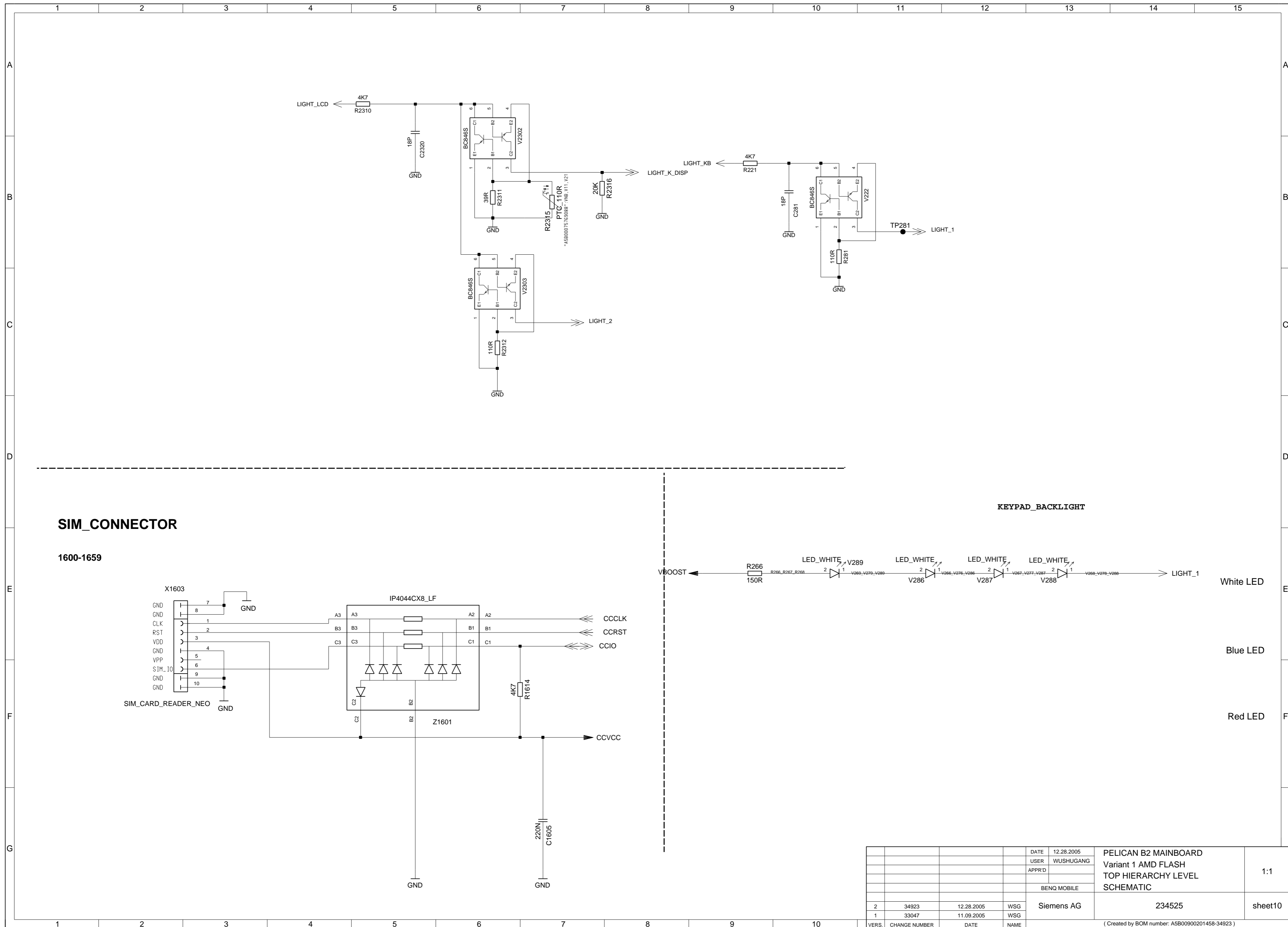
SPEAKER_CIRCUIT



VIBRA_CIRCUIT
211 - 230



DATE	12.28.2005	PELICAN B2 MAINBOARD Variant 1 AMD FLASH TOP HIERARCHY LEVEL SCHEMATIC	1:1			
USER	WUSHUGANG					
APPR'D						
		BENQ MOBILE				
2	34923	12.28.2005	WSG	Siemens AG	234525	sheet9
1	33047	11.09.2005	WSG			
VERS.	CHANGE NUMBER	DATE	NAME	(Created by BOM number: A5B00900201458-34923)		



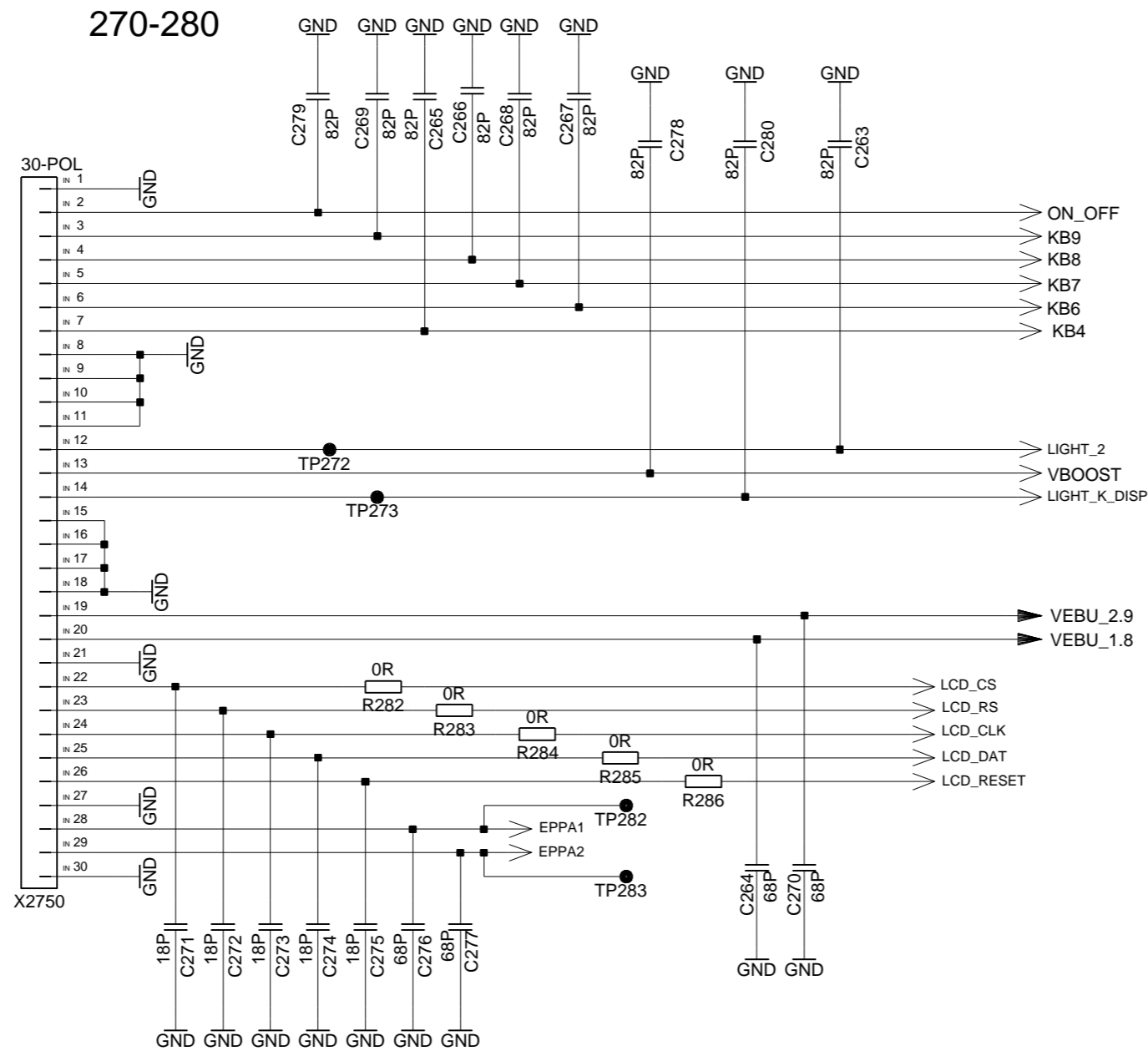
DATE	12.28.2005	PELICAN B2 MAINBOARD	
USER	WUSHUGANG	Variant 1 AMD FLASH	
APPRD		TOP HIERARCHY LEVEL	1:1
		BENQ MOBILE	
2	34923	12.28.2005	WSG
1	33047	11.09.2005	WSG
VERS.	CHANGE NUMBER	DATE	NAME
		Siemens AG	
		234525	
		sheet10	
(Created by BOM number: A5B00900201458-34923)			

Proprietary data, Company confidential.
all rights reserved

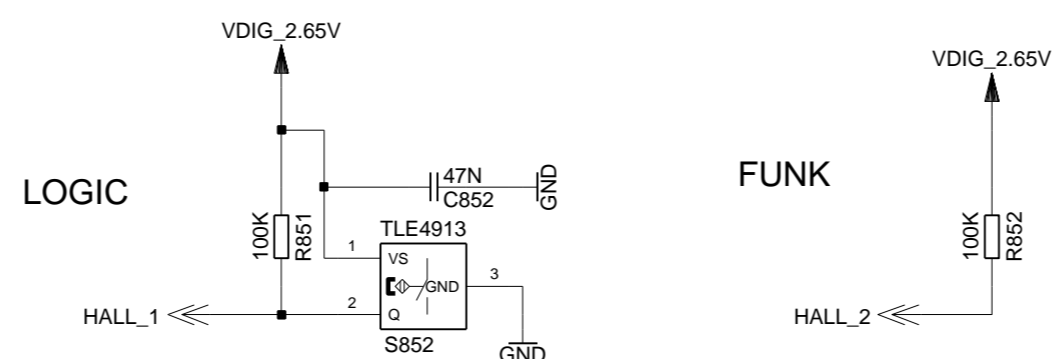
Als Betriebsgeheimnis anvertraut
alle Rechte vorbehalten

MMI CONNECTOR

270-280



MAGNETIC SWITCH



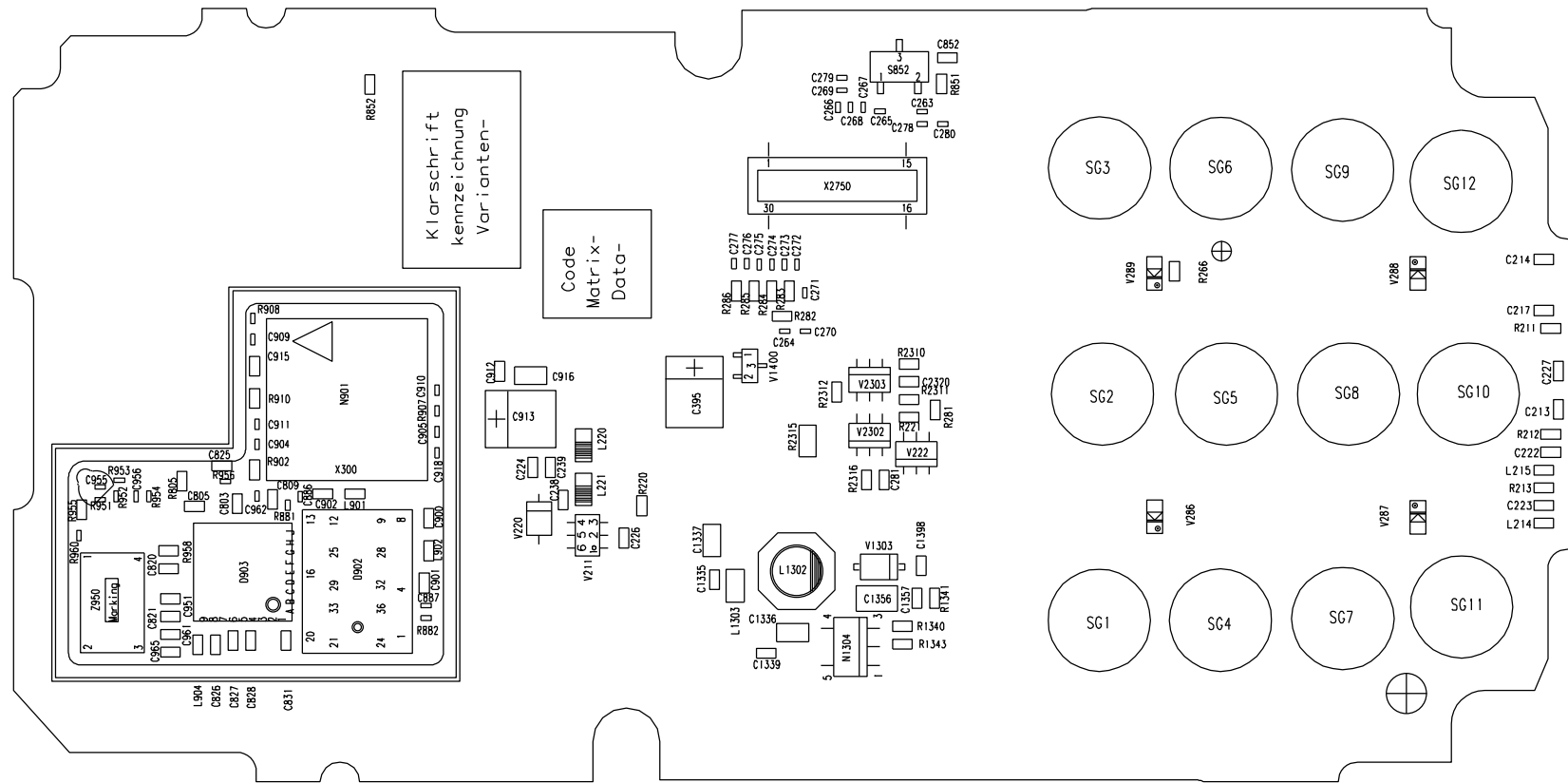
DATE	12.28.2005	PELICAN B2 MAINBOARD Variant 1 AMD FLASH TOP HIERARCHY LEVEL SCHEMATIC	1:1
USER	WUSHUGANG		
APPR'D			
		BENQ MOBILE	
VERS.	CHANGE NUMBER	DATE	NAME
2	34923	12.28.2005	WSG
1	33047	11.09.2005	WSG
		Siemens AG	234525
		sheet11	

(Created by BOM number: A5B00900201458-34923)

PROPRIETARY DATA, COMPANY CONFIDENTIAL
ALL RIGHTS RESERVED

ALS BETRIEBSGEHE IMNIS ANVERTRAUT
ALLE RECHTE VORBEHALTEN

C213	10B	R281	8B
C214	10B	R282	7B
C217	10B	R283	7B
C222	10C	R284	7B
C223	10C	R285	7B
C224	6C	R286	7B
C226	6C	R805	5C
C227	10B	R851	8B
C238	6C	R852	5B
C239	6C	R881	5C
C263	7B	R882	6C
C264	7B	R902	5C
C265	7B	R907	6B
C266	7B	R908	5B
C267	7B	R910	5B
C268	7B	R951	4C
C269	7B	R952	4C
C270	7B	R953	4C
C271	7B	R954	4C
C272	7B	R955	4C
C273	7B	R956	5C
C274	7B	R958	5C
C275	7B	R960	4C
C276	7B	R1340	7C
C277	7B	R1341	8C
C278	7B	R1343	7C
C279	7B	R2310	7B
C280	8B	R2311	7B
C281	7C	R2312	7B
C395	7B	R2315	7B
C803	5C	R2316	7C
C805	5C	S852	7B
C809	5C	V211	6C
C820	5C	V220	6C
C821	4C	V222	7C
C825	5C	V286	8C
C826	5C	V287	9C
C827	5C	V288	9B
C828	5C	V289	8B
C831	5C	V1303	7C
C852	8A	V1400	7B
C886	5C	V2302	7C
C887	5C	V2303	7B
C900	6C	X300	4C
C901	5C	X2750	7B
C902	5C	Z950	4C
C904	5C		
C905	6C		
C909	5B		
C910	6B		
C911	5B		
C912	6B		
C913	6B		
C915	5B		
C916	6B		
C918	6C		
C951	5C		
C955	4C		
C956	4C		
C961	4C		
C962	5C		
C965	4C		
C1335	7C		
C1336	7C		
C1337	7C		
C1339	7C		
C1356	7C		
C1357	7C		
C1398	7C		
C2320	7B		
D902	5C		
D903	5C		
L214	10C		
L215	10C		
L220	6C		
L221	6C		
L901	5C		
L902	6C		
L904	5C		
L1302	7C		
L1303	7C		
N901	5B		
N1304	7C		
R211	10B		
R212	10C		
R213	10C		
R220	6C		
R221	7B		
R266	8B		

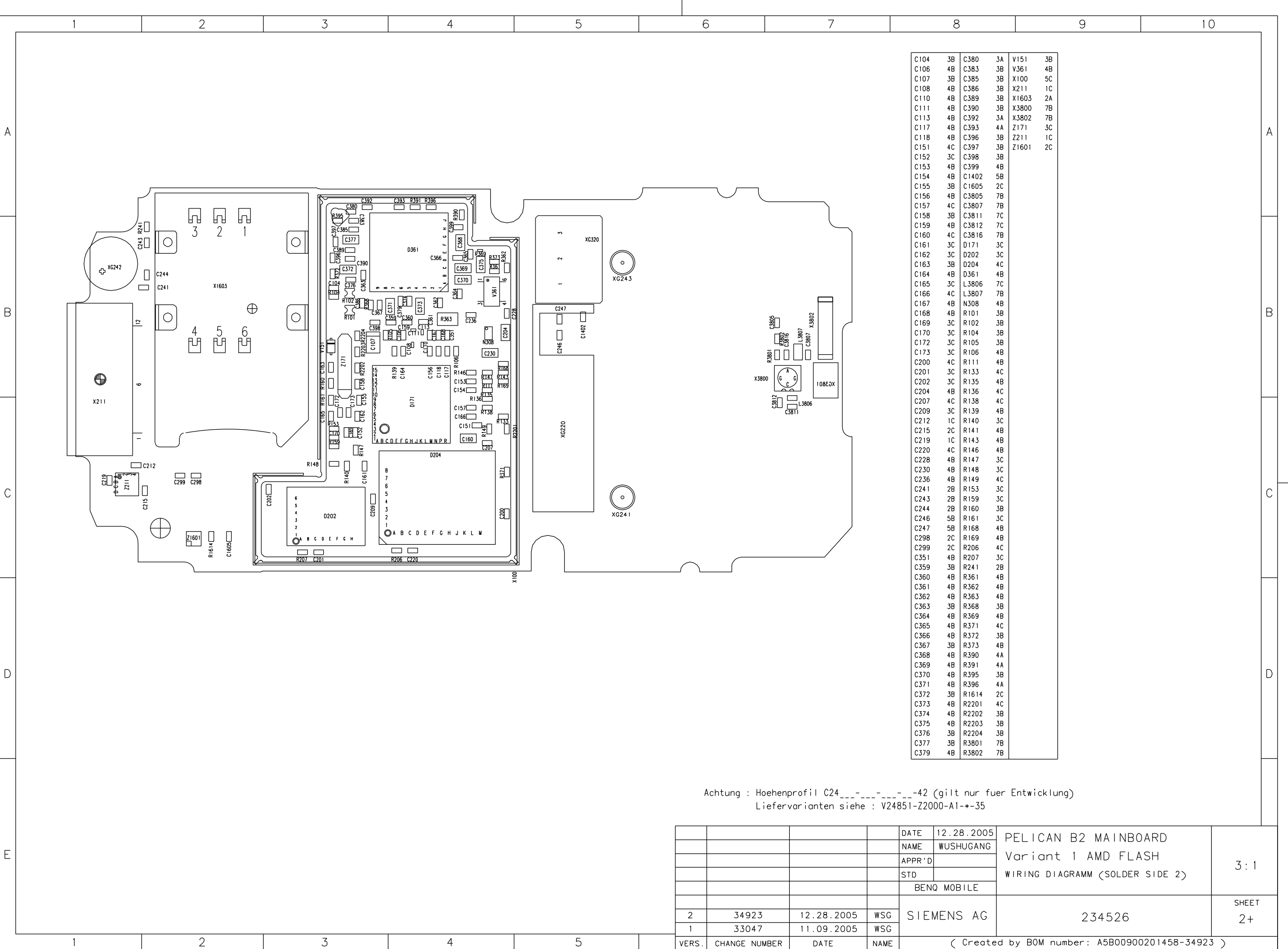


Achtung : Höhenprofil C24_..._..._42 (gilt nur fuer Entwicklung)
Liefervarianten siehe : V24851-Z2000-A1-*-35

				DATE	12.28.2005	PELICAN B2 MAINBOARD Variant 1 AMD FLASH WIRING DIAGRAMM (SOLDER SIDE 1)	3:1
				NAME	WUSHUGANG		
				APPR'D			
				STD			
				BENQ MOBILE			
2	34923	12.28.2005	WSG	SIEMENS AG		234526	SHEET 1+
1	33047	11.09.2005	WSG				
VERS.	CHANGE NUMBER	DATE	NAME	(Created by BOM number: A5B00900201458-34923)			

PROPRIETARY DATA, COMPANY CONFIDENTIAL
ALL RIGHTS RESERVED

ALS BETRIEBSGEHE IMNIS ANVERTRAUT
ALLE RECHTE VORBEHALTEN



C104	3B	C380	3A	V151	3B
C106	4B	C383	3B	V361	4B
C107	3B	C385	3B	X100	5C
C108	4B	C386	3B	X211	1C
C110	4B	C389	3B	X1603	2A
C111	4B	C390	3B	X3800	7B
C113	4B	C392	3A	X3802	7B
C117	4B	C393	4A	Z171	3C
C118	4B	C396	3B	Z211	1C
C151	4C	C397	3B	Z1601	2C
C152	3C	C398	3B		
C153	4B	C399	4B		
C154	4B	C1402	5B		
C155	3B	C1605	2C		
C156	4B	C3805	7B		
C157	4C	C3807	7B		
C158	3B	C3811	7C		
C159	4B	C3812	7C		
C160	4C	C3816	7B		
C161	3C	D171	3C		
C162	3C	D202	3C		
C163	3B	D204	4C		
C164	4B	D361	4B		
C165	3C	L3806	7C		
C166	4C	L3807	7B		
C167	4B	N308	4B		
C168	4B	R101	3B		
C169	3C	R102	3B		
C170	3C	R104	3B		
C172	3C	R105	3B		
C173	3C	R106	4B		
C200	4C	R111	4B		
C201	3C	R133	4C		
C202	3C	R135	4B		
C204	4B	R136	4C		
C207	4C	R138	4C		
C209	3C	R139	4B		
C212	1C	R140	3C		
C215	2C	R141	4B		
C219	1C	R143	4B		
C220	4C	R146	4B		
C228	4B	R147	3C		
C230	4B	R148	3C		
C236	4B	R149	4C		
C241	2B	R153	3C		
C243	2B	R159	3C		
C244	2B	R160	3B		
C246	5B	R161	3C		
C247	5B	R168	4B		
C298	2C	R169	4B		
C299	2C	R206	4C		
C351	4B	R207	3C		
C359	3B	R241	2B		
C360	4B	R361	4B		
C361	4B	R362	4B		
C362	4B	R363	4B		
C363	3B	R368	3B		
C364	4B	R369	4B		
C365	4B	R371	4C		
C366	4B	R372	3B		
C367	3B	R373	4B		
C368	4B	R390	4A		
C369	4B	R391	4A		
C370	4B	R395	3B		
C371	4B	R396	4A		
C372	3B	R1614	2C		
C373	4B	R2201	4C		
C374	4B	R2202	3B		
C375	4B	R2203	3B		
C376	3B	R2204	3B		
C377	3B	R3801	7B		
C379	4B	R3802	7B		

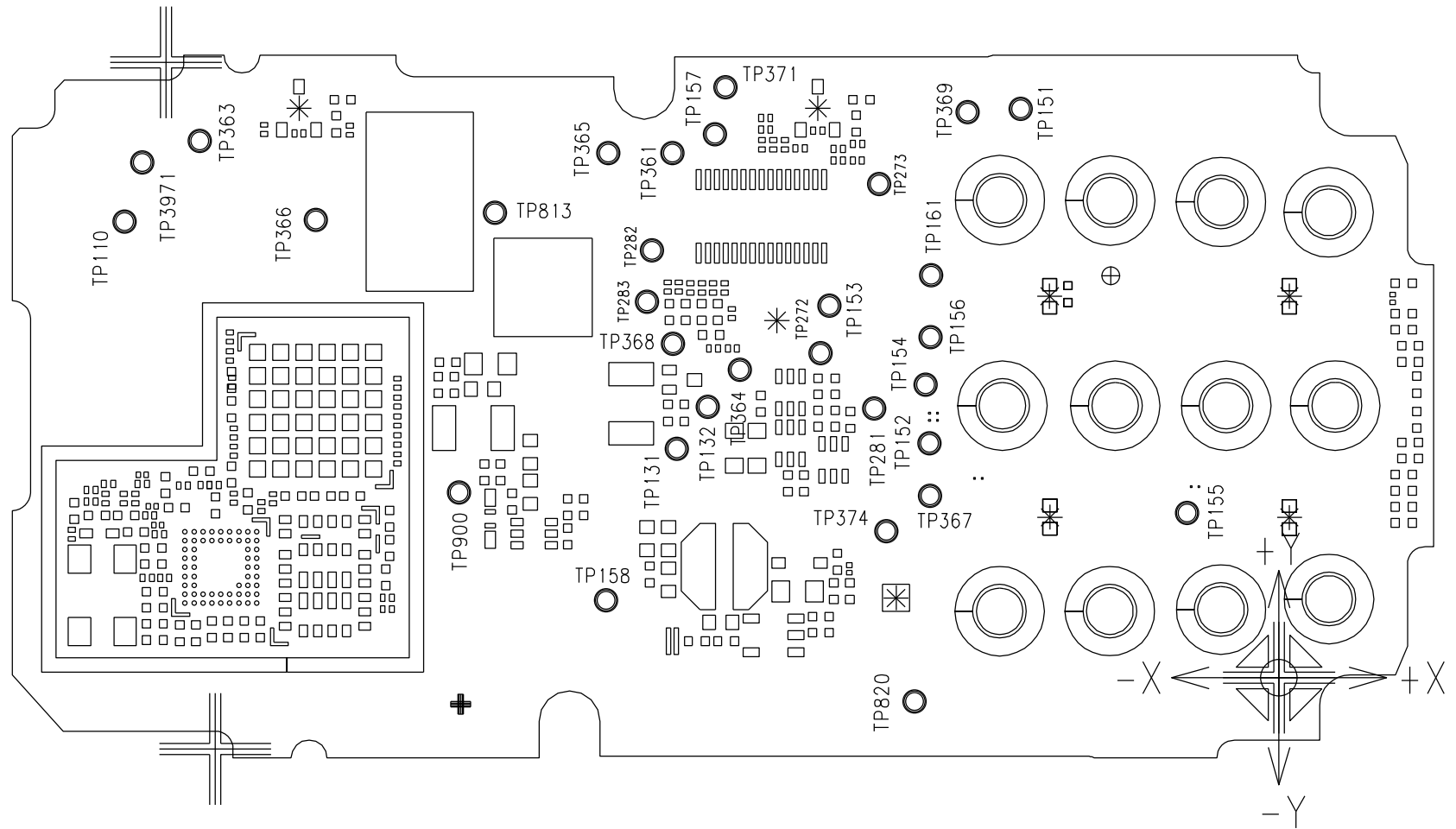
Achtung : Hoehenprofil C24-42 (gilt nur fuer Entwicklung)
Liefervarianten siehe : V24851-Z2000-A1-*-35

				DATE	12.28.2005	PELICAN B2 MAINBOARD Variant 1 AMD FLASH WIRING DIAGRAMM (SOLDER SIDE 2)	3:1
				NAME	WUSHUGANG		
				APPR'D			
				STD			
				BENQ MOBILE			
2	34923	12.28.2005	WSG	SIEMENS AG		234526	SHEET 2+
1	33047	11.09.2005	WSG				
VERS.	CHANGE NUMBER	DATE	NAME	(Created by BOM number: A5B00900201458-34923)			

PROPRIETARY DATA, COMPANY CONFIDENTIAL
ALL RIGHTS RESERVED

ALS BETRIEBSGEHE IMNIS ANVERTRAUT
ALLE RECHTE VORBEHALTEN

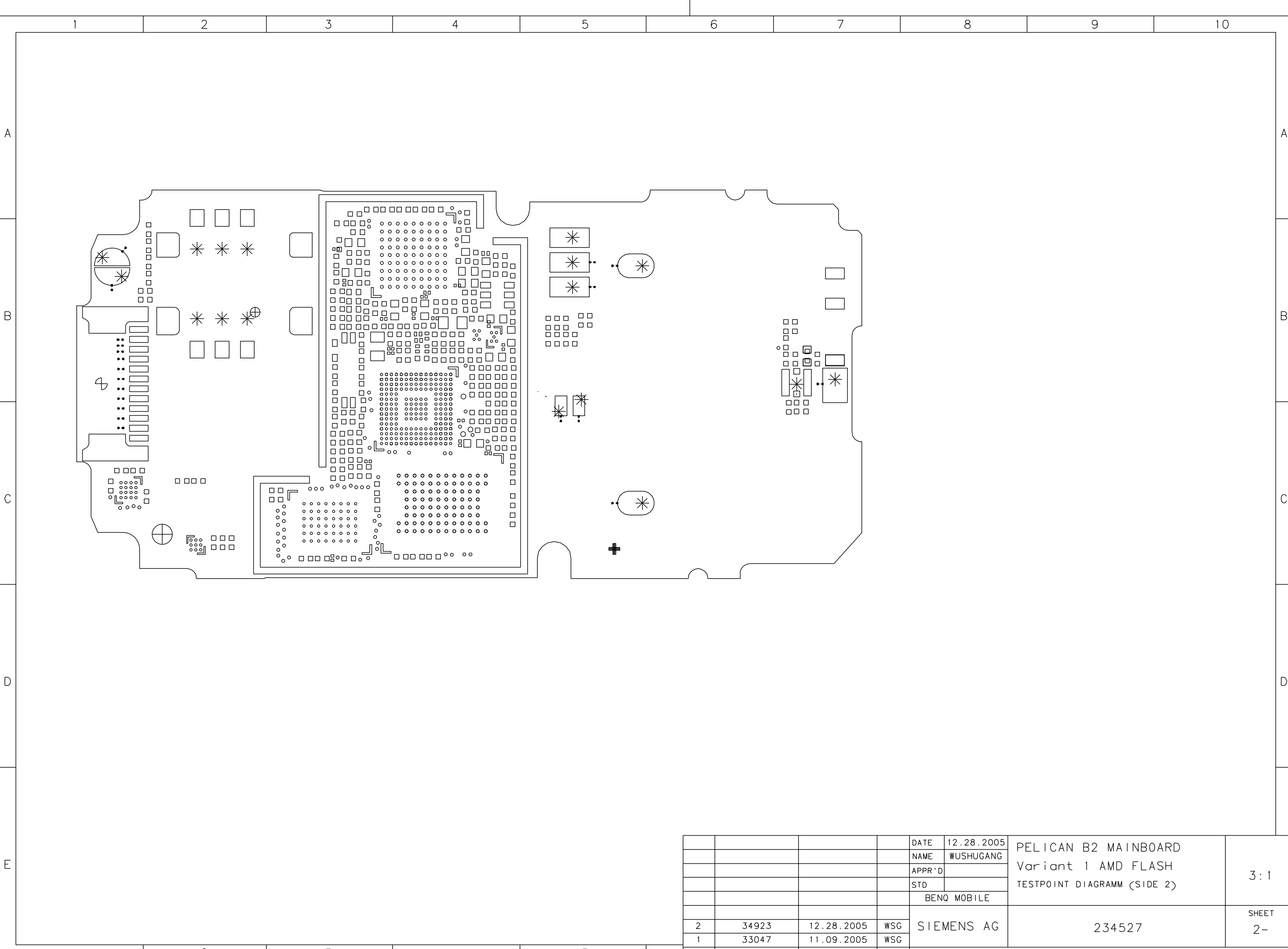
TP110	4B	/TVCO
TP131	7C	/BREF
TP132	7B	/TBAT
TP151	8B	/MON2
TP152	8C	/TMS
TP153	7B	/TCK
TP154	8B	/TD1
TP155	9C	/TRST
TP156	8B	/TDO
TP157	7B	/ON_OFF
TP158	6C	VEBU_2.9
TP161	8B	/MON1
TP272	7B	/LIGHT_2
TP273	8B	/LIGHT_K_DISP
TP281	8B	/LIGHT_1
TP282	7B	/EPPA1
TP283	7B	/EPPA2
TP361	7B	/POWER
TP363	5B	VDD_RF2
TP364	7B	VEBU_1.8
TP365	6B	/NS475
TP366	5B	VDDIC_2.65V
TP367	8C	1.5V
TP368	7B	VDDA_2.65V
TP369	8B	/VDD_RTC
TP371	7A	RESET_UC
TP374	8C	VBOOST
TP813	6B	GND
TP820	8C	/RF_SIN26M
TP900	6C	/RF_TXONPA
TP3971	4B	VDD_RF1



				DATE	12.28.2005	PELICAN B2 MAINBOARD Variant 1 AMD FLASH TESTPOINT DIAGRAMM (SIDE 1)	3:1
				NAME	WUSHUGANG		
				APPR'D			
				STD			
				BENQ MOBILE			
				SIEMENS AG		234527	SHEET 1+
2	34923	12.28.2005	WSG				
1	33047	11.09.2005	WSG				
VERS.	CHANGE NUMBER	DATE	NAME	(Created by BOM number: A5B00900201458-34923)			

PROPRIETARY DATA, COMPANY CONFIDENTIAL
ALL RIGHTS RESERVED

ALS BETRIEBSGEHEIMNIS ANVERTRAUT
ALLE RECHTE VORBEHALTEN



				DATE	12.28.2005	PELICAN B2 MAINBOARD Variant 1 AMD FLASH TESTPOINT DIAGRAMM (SIDE 2)	3:1
				NAME	WUSHUGANG		
				APPR'D			
				STD			
				BENQ MOBILE			
2	34923	12.28.2005	WSG	SIEMENS AG		234527	SHEET
1	33047	11.09.2005	WSG				2-
VERS.	CHANGE NUMBER	DATE	NAME	(Created by BOM number: A5B00900201458-34923)			