



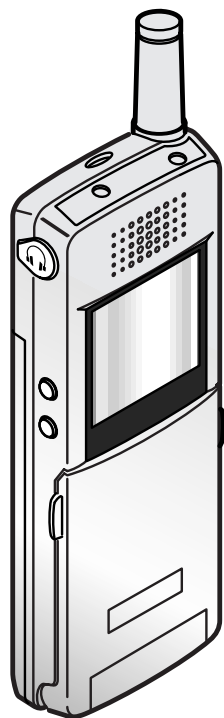
SAMSUNG

DUAL BAND Mobile Cellular Phone SGH-N200

SERVICE Manual

DUAL BAND Mobile Cellular Phone

CONTENTS



1. Exploded Views and Parts List
2. PCB Diagrams
3. Electrical Parts List
4. Block Diagrams
5. Flow chart of trouble shooting

1. Exploded Views and Parts List

- 1-1 **Main**
- 1-2 **Main Parts List**
- 1-3 **Travel Adapter**
- 1-4 **Travel Adapter Parts List**
- 1-5 **Cigar Light Adapter**
- 1-6 **Cigar Light Adapter Parts List**
- 1-7 **Test Jig**
 - 1-7-1 **Test Jig**
- 1-8 **Wearable EAR Microphone**
- 1-9 **Data Kit**
- 1-10 **Battery Charger**

2. PCB Diagrams

- 2-1 **Main Top**
- 2-2 **Main Bottom**

3. Electrical Parts List

- 3-1 **Main Parts List Top**
- 3-2 **Main Parts List Bottom**

4. Block Diagrams

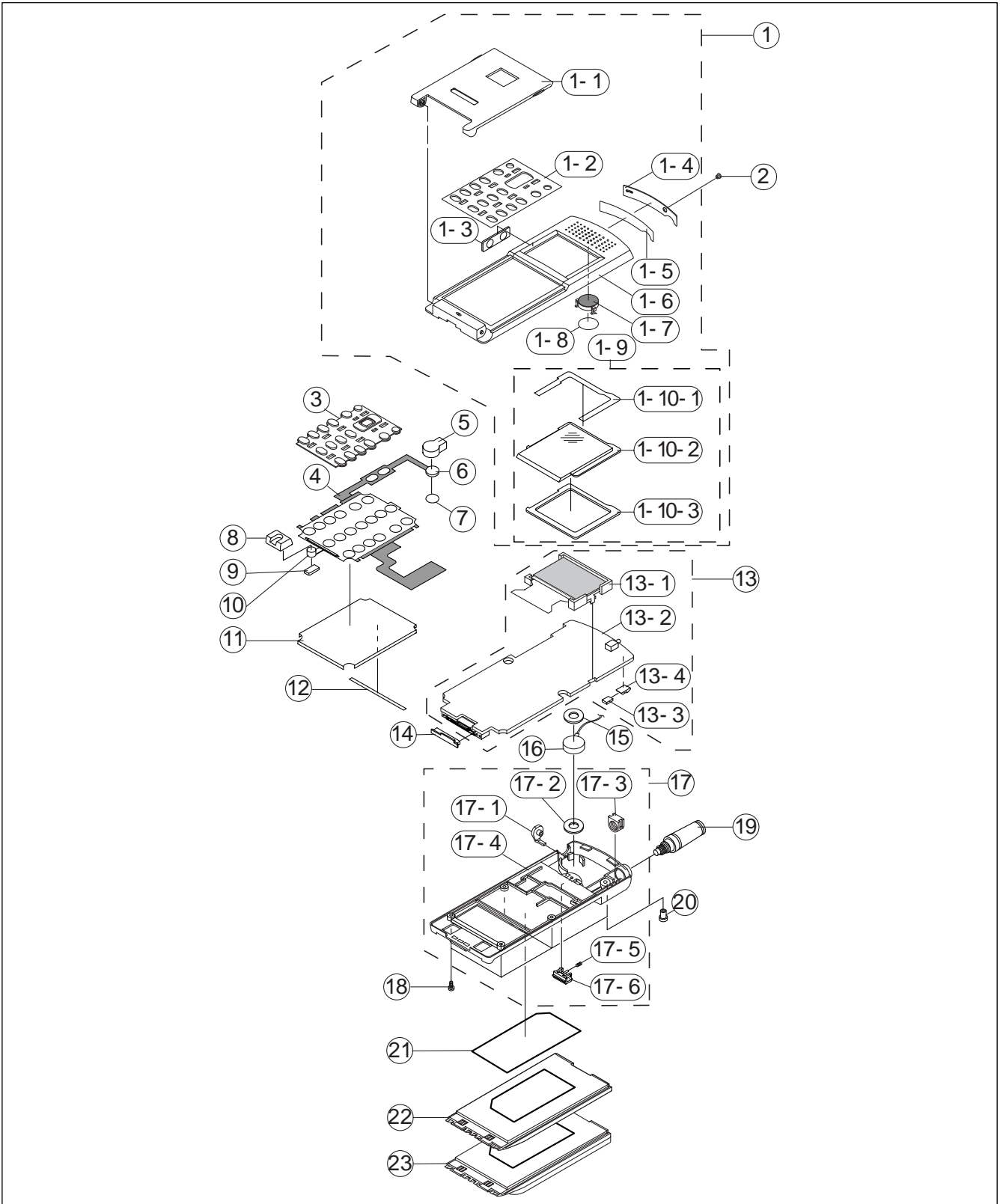
- 4-1 **Main Base Band**
- 4-2 **Main RF**
 - 4-2-1 **RF Tx Part**
 - 4-2-2 **RF Rx Part**

5. Flow chart of trouble shooting

- 5-1 **Power ON**
 - 5-2 **Initial**
 - 5-3 **Charging Part**
 - 5-4 **Sim Part**
 - 5-5 **Microphone Part**
 - 5-6 **Speaker Part**
 - 5-7 **Key Data Input**
 - 5-8 **Alert tone**
 - 5-9 **Ring Indicator**
 - 5-10 **Back Light**
 - 5-11 **GSM Receiver**
 - 5-12 **GSM Transmit**
 - 5-13 **DCS Receiver**
 - 5-14 **DCS Transmit**
-

1. Exploded Views and Parts List

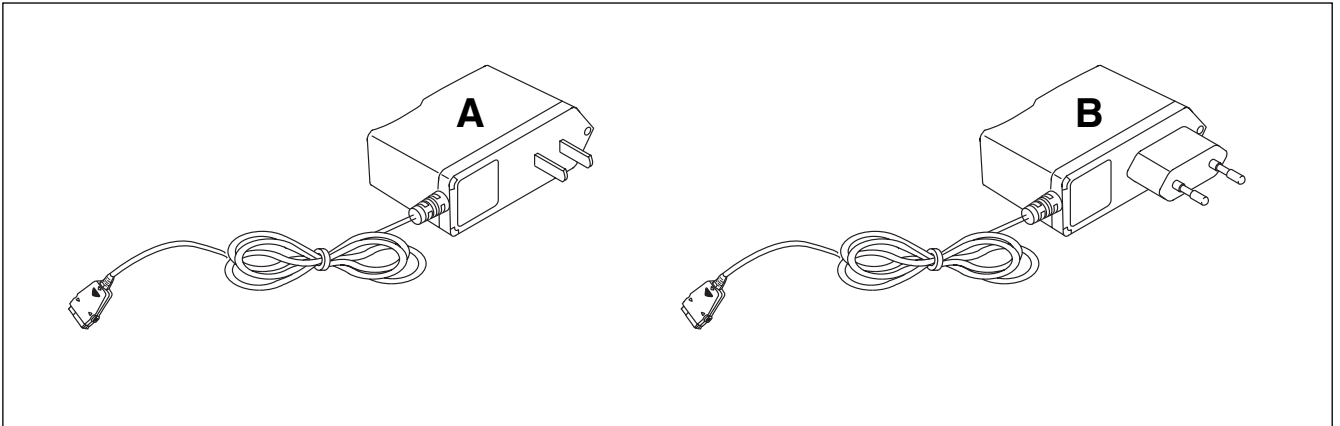
1-1 Main (SGH-N200)



1-2 Main Parts List

NO	PARTS NAME	SEC CODE				Q'TY	REMARK	
		GOLD	D/GREY	BLUE	MET/GRAY			
1	1	FRONT ASS'Y	GH75-00985A	GH75-00985B	GH75-00985C	GH75-00985D	1	SA
	1-1	FLIP ASS'Y	GH75-00986A	GH75-00986B	GH75-00986C	GH75-00986D	1	SA
	1-2	FACE-KEY	GH72-02115B	GH72-02115B	GH72-02115B	GH72-02115B	1	SNA
	1-3	VOLUME-KEY	GH72-02117A	GH72-02117A	GH72-02117A	GH72-02117A	1	SA
	1-4	TOP DUMMY	GH72-02114A	GH72-02114A	GH72-02114A	GH72-02114A	1	SNA
	1-5	TAPE-TOP	GH74-01066A	GH74-01066A	GH74-01066A	GH74-01066A	1	SNA
	1-6	FRONT COVER	GH72-02105A	GH72-02105B	GH72-02105C	GH72-021055D	1	SNA
	1-7	SPEAKER	3001-001199	3001-001199	3001-001199	3001-001199	1	SA
	1-8	SPONGE-SPK	GH74-01270A	GH74-01270A	GH74-01270A	GH74-01270A	1	SA
	1-9	WINDOW ASS'Y	GH75-00935B	GH75-00935B	GH75-00935B	GH75-00935B	1	SA
	1-9-1	SPONGE-LCD	GH74-01064A	GH74-01064A	GH74-01064A	GH74-01064A	1	SNA
	1-9-2	WINDOW-LCD	GH72-02113B	GH72-02113B	GH72-02113B	GH72-02113B	1	SNA
	1-9-3	TAPELCD	GH74-01068A	GH74-01068A	GH74-01068A	GH74-01068A	1	SNA
2	MOBILE-CAP	GH73-00585A	GH73-00585A	GH73-00585A	GH73-00585A	1	SA	
3	KEY-MAIN	GH72-02116F	GH72-02116C	GH72-02116C	GH72-02116F	1	SA	
4	KEY-PCB	GH59-00167B	GH59-00167B	GH59-00167B	GH59-00167B	1	SA	
5	BUZZER-RUBBER	GH73-00584A	GH73-00584A	GH73-00584A	GH73-00584A	1	SA	
6	BUZZER	3002-001107	3002-001107	3002-001107	3002-001107	1	SA	
7	SUPPORT-BUZZER	GH74-01268A	GH74-01268A	GH74-01268A	GH74-01268A	1	SNA	
8	MIC-RUBBER	GH73-00583A	GH73-00583A	GH73-00583A	GH73-00583A	1	SA	
9	SUPPORT-MIC	GH74-01269A	GH71-01269A	GH71-01269A	GH71-01269A	1	SNA	
10	MIC	3003-001052	3003-001052	3003-001052	3003-001052	1	SA	
11	FRAME-KEY	GH71-00381A	GH71-00381A	GH71-00381A	GH71-00381A	1	SA	
12	SUPPORT-LCD	GH73-00632A	GH73-00632A	GH73-00632A	GH73-00632A	1	SNA	
13	13	PBA-MAIN	GH82-00069A	GH82-00069A	GH82-00069A	GH82-00069A	1	SA
	13-1	LCD	GH07-00061C	GH07-00061C	GH07-00061C	GH07-00061C	1	SA
	13-2	CONTACT RUBBER	GH73-00106A	GH73-00106A	GH73-00106A	GH73-00106A	1	SNA
	13-3	ANT CONTACT	GH71-00383A	GH71-00383A	GH71-00383A	GH71-00383A	1	SA
14	COVER CONN	GH73-00678A	GH73-00678B	GH73-00678B	GH73-00678A	1	SA	
15	SPONGE-MOTOR	GH74-01065A	GH74-01065A	GH74-01065A	GH74-01065A	1	SA	
16	MOTOR	GH31-00023A	GH31-00023A	GH31-00023A	GH31-00023A	1	SA	
17	17	REAR ASS'Y	GH75-01175A	GH75-01175A	GH75-01175A	GH75-01175A	1	SA
	17-1	EAR-JACK	GH73-00582A	GH73-00582A	GH73-00582A	GH73-00582A	1	SA
	17-2	TAPE MOTOR	GH74-01067A	GH74-01067A	GH74-01067A	GH74-01067A	1	SNA
	17-3	ANT-BRAEKET	GH71-00382A	GH71-00382A	GH71-00382A	GH71-00382A	1	SNA
	17-4	REAR COVER	GH72-02680A	GH72-02680A	GH72-02680A	GH72-02680A	1	SNA
	17-5	LOCKER-SPRING	GH61-00009A	GH61-00009A	GH75-00076A	GH61-00009A	1	SNA
	17-6	LOCKER	GH72-02108A	GH72-02108B	GH75-00077A	GH72-02108A	1	SNA
18	SCREW	6001-000464	6001-000464	GH75-00078A	6001-000464	5	SA	
19	ANTENNA	GH42-00092A	GH42-00092B	GH75-00079A	GH42-00092A	1	SA	
20	REAR-CAP	GH73-00660A	GH73-00660B	GH75-00080A	GH73-00660A	1	SA	
21	MAIN-LABEL	GH68-01641C	GH68-01641C	GH68-01641C	GH68-01641C	1	SA	
22	BATT.SLIM	GH43-00342A	GH43-00342B	GH75-00082A	GH43-00342A	1	SA	
23	BATT.STD	GH43-00343A	GH43-00343B	GH75-00083A	GH43-00343A	1	SA	

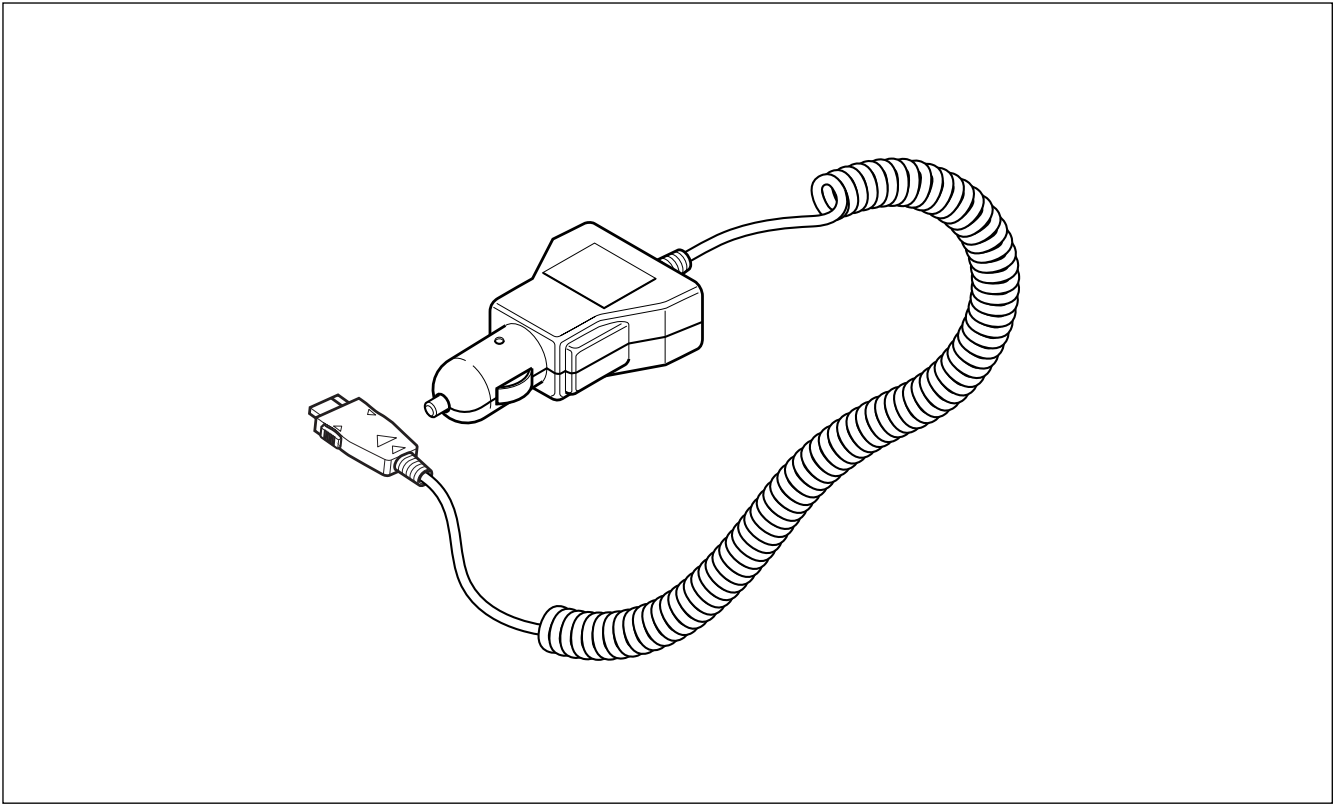
1-3 Travel Adapter



1-4 Travel Adapter Parts List

TYPE	SEC CODE	REMARK
A	GH44-00171A	CHINA
B	GH44-00184A	EUROPE

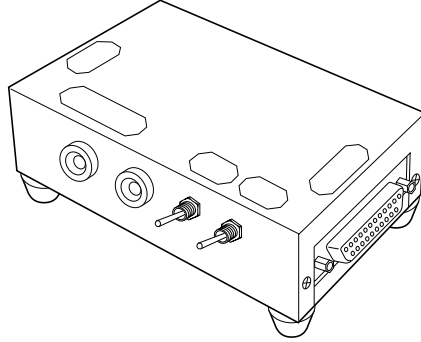
1-5 Cigar Light Adapter



1-6 Cigar Light Adapter Parts List

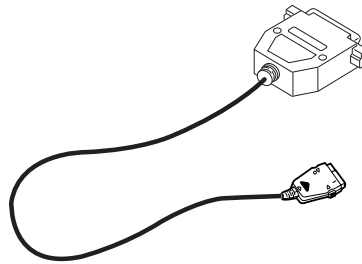
DESCRIPTION	SEC CODE	REMARK
Ciger Light Adapter Code	GH44-00170A	BLACK

1-7 Test Jig



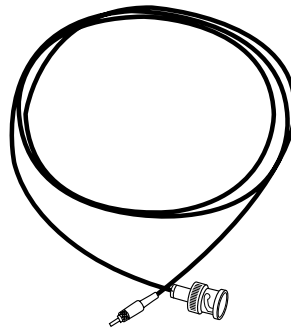
TEST JIG

GH80-10508A



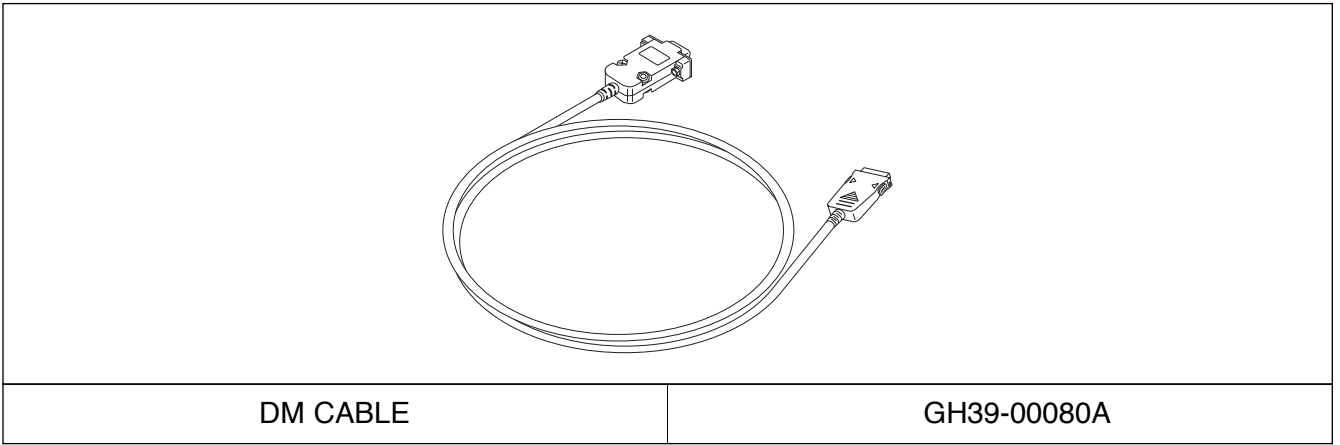
TEST JIG CABLE

GH39-00079A

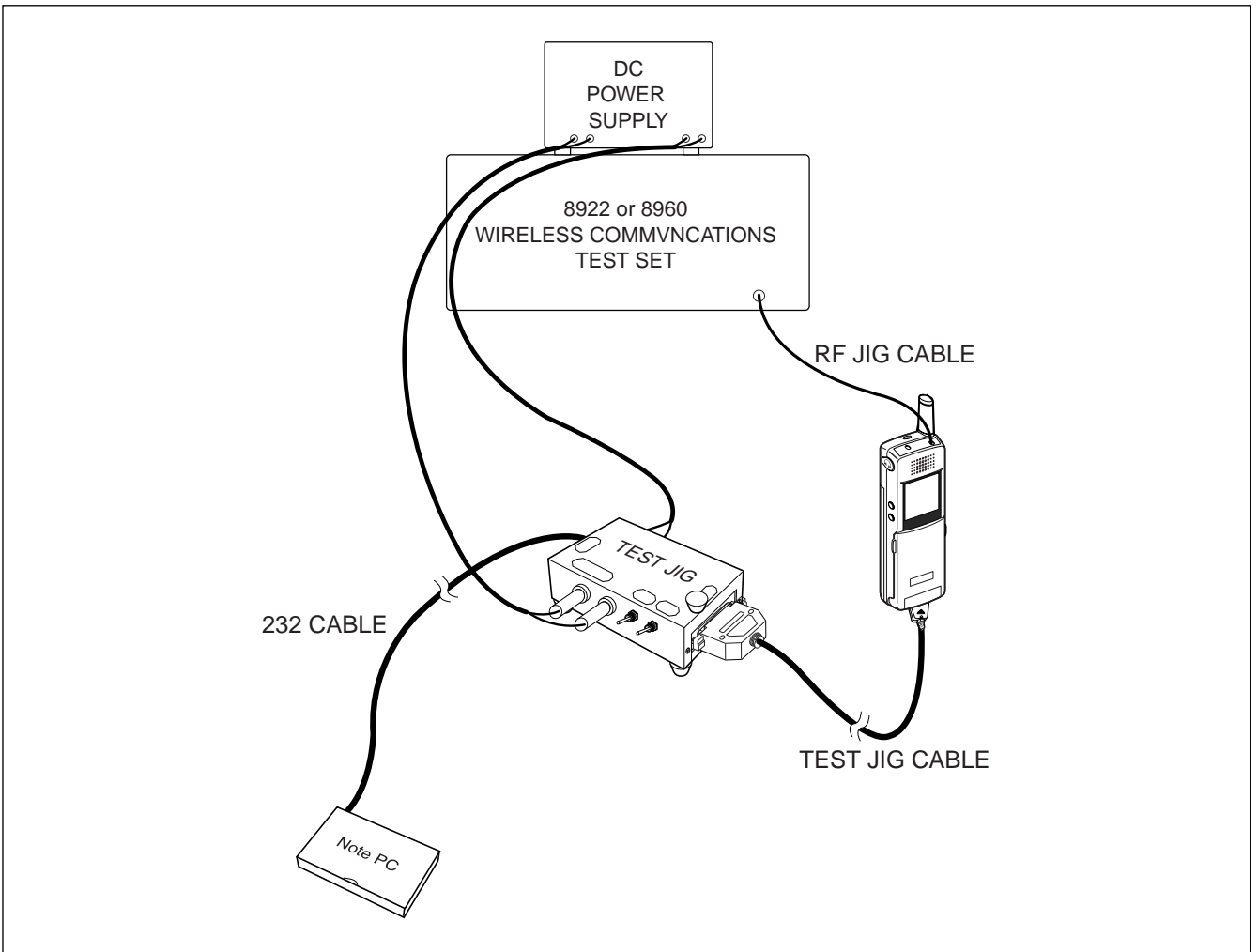


RF JIG CABLE

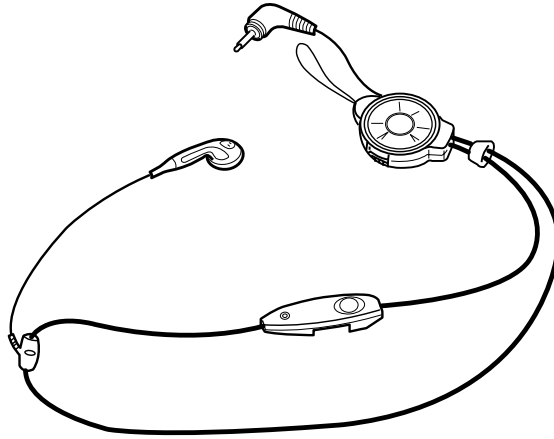
GH39-00089A



1-7-1 Test Jig



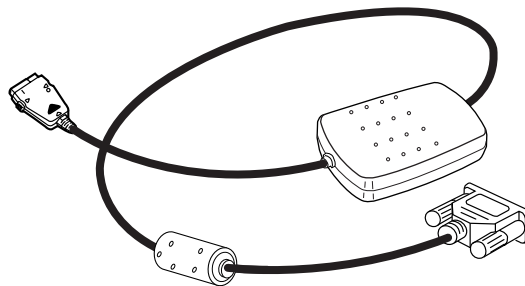
1-8 Wearable EAR Microphone



Wearable EAR Microphone

GH59-00168A

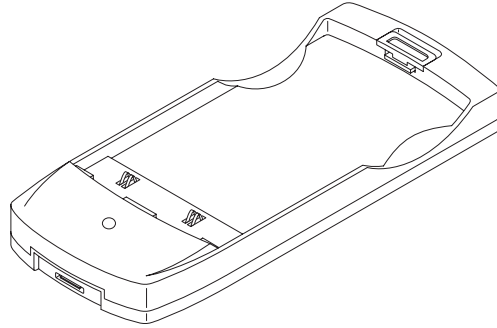
1-9 Data Kit



DATA KIT

GH39-00078A

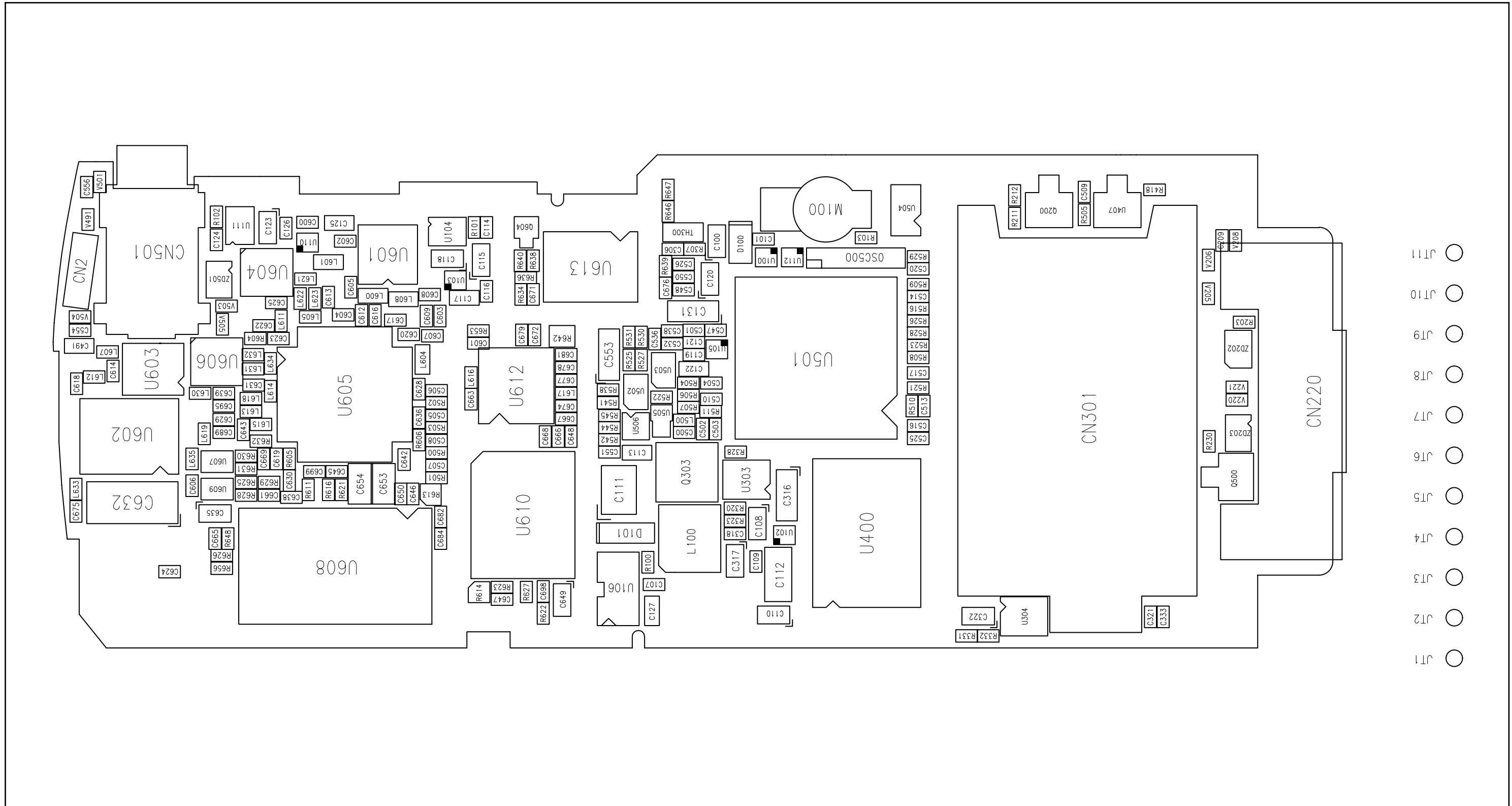
1-10 Desk Top Charger



DESK TOP CHARGER

GH44-00186B

2-2 Main Bottom



- JT11
- JT10
- JT9
- JT8
- JT7
- JT6
- JT5
- JT4
- JT3
- JT2
- JT1

3. Electrical Parts List

3-1 Main Parts List Top

NO	Reference	SEC Code	Part Description	Vendor Part No
1	C102	2203-000233	C-CERAMIC,CHIP;0.1nF,5%,5	CM05CG101J50AT
2	C128	2203-005509	C-CERAMIC,CHIP;330nF,+80-	GRM36Y5V334Z10PT
3	C130	2203-005061	C-CERAMIC,CHIP;100nF,+80-	MCH153F104ZK
4	C201	2203-000679	C-CERAMIC,CHIP;0.027nF,5%	CM05CG270J50AT
5	C202	2203-000679	C-CERAMIC,CHIP;0.027nF,5%	CM05CG270J50AT
6	C203	2203-005065	C-CERAMIC,CHIP;1000nF,+80	CL10F105ZONC
7	C204	2203-001101	C-CERAMIC,CHIP;6.8nF,10%,	CM05X7R682K25AT
8	C205	2203-005065	C-CERAMIC,CHIP;1000nF,+80	CL10F105ZONC
9	C206	2203-005065	C-CERAMIC,CHIP;1000nF,+80	CL10F105ZONC
10	C207	2203-005065	C-CERAMIC,CHIP;1000nF,+80	CL10F105ZONC
11	C208	2203-005061	C-CERAMIC,CHIP;100nF,+80-	MCH153F104ZK
12	C210	2203-005061	C-CERAMIC,CHIP;100nF,+80-	MCH153F104ZK
13	C211	2203-005061	C-CERAMIC,CHIP;100nF,+80-	MCH153F104ZK
14	C212	2203-005061	C-CERAMIC,CHIP;100nF,+80-	MCH153F104ZK
15	C213	2203-005061	C-CERAMIC,CHIP;100nF,+80-	MCH153F104ZK
16	C214	2203-005065	C-CERAMIC,CHIP;1000nF,+80	CL10F105ZONC
17	C218	2203-005061	C-CERAMIC,CHIP;100nF,+80-	MCH153F104ZK
18	C219	2203-000783	C-CERAMIC,CHIP;0.33nF,5%,	C1608CG1H331JT
19	C226	2203-000679	C-CERAMIC,CHIP;0.027nF,5%	CM05CG270J50AT
20	C227	2203-003054	C-CERAMIC,CHIP;0.009nF,0.	C1005CG1H090CT
21	C237	2203-000679	C-CERAMIC,CHIP;0.027nF,5%	CM05CG270J50AT
22	C238	2203-000679	C-CERAMIC,CHIP;0.027nF,5%	CM05CG270J50AT
23	C239	2203-000812	C-CERAMIC,CHIP;0.033nF,5%	CM05CG330J50AT
24	C300	2203-005061	C-CERAMIC,CHIP;100nF,+80-	MCH153F104ZK
25	C400	2203-005061	C-CERAMIC,CHIP;100nF,+80-	MCH153F104ZK
26	C401	2203-005061	C-CERAMIC,CHIP;100nF,+80-	MCH153F104ZK
27	C492	2203-005061	C-CERAMIC,CHIP;100nF,+80-	MCH153F104ZK
28	C511	2203-000812	C-CERAMIC,CHIP;0.033nF,5%	CM05CG330J50AT
29	C512	2203-000812	C-CERAMIC,CHIP;0.033nF,5%	CM05CG330J50AT
30	C513	2203-000812	C-CERAMIC,CHIP;0.033nF,5%	CM05CG330J50AT
31	C515	2203-000254	C-CERAMIC,CHIP;10nF,10%,1	CM05X7R103K16AT
32	C518	2203-000254	C-CERAMIC,CHIP;10nF,10%,1	CM05X7R103K16AT
33	C519	2203-000254	C-CERAMIC,CHIP;10nF,10%,1	CM05X7R103K16AT
34	C521	2203-000254	C-CERAMIC,CHIP;10nF,10%,1	CM05X7R103K16AT
35	C522	2203-000812	C-CERAMIC,CHIP;0.033nF,5%	CM05CG330J50AT
36	C523	2203-000812	C-CERAMIC,CHIP;0.033nF,5%	CM05CG330J50AT
37	C524	2203-000812	C-CERAMIC,CHIP;0.033nF,5%	CM05CG330J50AT
38	C527	2203-000254	C-CERAMIC,CHIP;10nF,10%,1	CM05X7R103K16AT

NO	Reference	SEC Code	Part Description	Vendor Part No
39	C528	2203-000679	C-CERAMIC,CHIP;0.027nF,5%	CM05CG270J50AT
40	C529	2203-000679	C-CERAMIC,CHIP;0.027nF,5%	CM05CG270J50AT
41	C530	2203-000679	C-CERAMIC,CHIP;0.027nF,5%	CM05CG270J50AT
42	C531	2203-000679	C-CERAMIC,CHIP;0.027nF,5%	CM05CG270J50AT
43	C537	2203-003054	C-CERAMIC,CHIP;0.009nF,0.	C1005CG1H090CT
44	C539	2203-000812	C-CERAMIC,CHIP;0.033nF,5%	CM05CG330J50AT
45	C540	2203-000812	C-CERAMIC,CHIP;0.033nF,5%	CM05CG330J50AT
46	C541	2203-005481	C-CERAMIC,CHIP;47nF,10%,1	GRM36X7R473K10PT
47	C542	2203-003054	C-CERAMIC,CHIP;0.009nF,0.	C1005CG1H090CT
48	C543	2203-005444	C-CERAMIC,CHIP;0.003nF,0.	GRM36COG030B50PT
49	C544	2203-000679	C-CERAMIC,CHIP;0.027nF,5%	CM05CG270J50AT
50	C545	2203-000679	C-CERAMIC,CHIP;0.027nF,5%	CM05CG270J50AT
51	C546	2203-005061	C-CERAMIC,CHIP;100nF,+80-	MCH153F104ZK
52	C549	2203-000254	C-CERAMIC,CHIP;10nF,10%,1	CM05X7R103K16AT
53	C552	2203-000812	C-CERAMIC,CHIP;0.033nF,5%	CM05CG330J50AT
54	C555	2203-003054	C-CERAMIC,CHIP;0.009nF,0.	C1005CG1H090CT
55	C557	2203-003054	C-CERAMIC,CHIP;0.009nF,0.	C1005CG1H090CT
56	C637	2203-000812	C-CERAMIC,CHIP;0.033nF,5%	CM05CG330J50AT
57	C638	2203-000233	C-CERAMIC,CHIP;0.1nF,5%,5	CM05CG101J50AT
58	C655	2203-000836	C-CERAMIC,CHIP;390pF,10%,	CM05X7R391K50AT
59	C657	2203-000233	C-CERAMIC,CHIP;0.1nF,5%,5	CM05CG101J50AT
60	C658	2203-000233	C-CERAMIC,CHIP;0.1nF,5%,5	CM05CG101J50AT
61	C664	2203-000438	C-CERAMIC,CHIP;1nF,10%,50	CM05X7R102K20AH
62	C670	2203-000438	C-CERAMIC,CHIP;1nF,10%,50	CM05X7R102K20AH
63	C673	2203-000254	C-CERAMIC,CHIP;10nF,10%,1	CM05X7R103K16AT
64	C680	2203-000679	C-CERAMIC,CHIP;0.027nF,5%	CM05CG270J50AT
65	D300	0407-001007	DIODE-ARRAY;UMN1,80V,25mA	UMN1
66	D491	0407-000115	DIODE-ARRAY;DAN202U,80V,	DAN202UT
67	D501	0407-001002	DIODE-ARRAY;DAN222,80V,30	DAN222
68	F200	2901-001116	FILTER-EMI SMD;50V,0.3A,-	NFM2012R13C471R
69	F201	2901-001116	FILTER-EMI SMD;50V,0.3A,-	NFM2012R13C471R
70	F600	2901-001116	FILTER-EMI SMD;50V,0.3A,-	NFM2012R13C471R
71	L200	2703-001752	INDUCTOR-SMD;39nH,5%,1.0x	LL1005-FH39NJ
72	L603	2703-001952	INDUCTOR-SMD;8.2nH,5%,1.0	HK1005-8N2J-T
73	L620	2703-001951	INDUCTOR-SMD;33nH,5%,1.0x	HK1005-33NS-T
74	LED208	0601-000276	LED;CHIP,Y/GRN,1.6x2.0mm,	CL-150YG-CD-T
75	LED209	0601-001542	LED;CHIP,BLUE,1.2X0.8MM,	
76	LED210	0601-001542	LED;CHIP,BLUE,1.2X0.8MM,	
77	LED211	0601-001542	LED;CHIP,BLUE,1.2X0.8MM,	
78	Q201	0504-001042	TR-DIGITAL;BCR10PN,NPN/PN	BCR10PN
79	Q202	0504-001058	TR-DIGITAL;RN4985,NPN/PNP	RN4985-TE85L
80	Q204	0504-000167	TR-DIGITAL;RN1102,NPN,100	DTC114EE/TR

NO	Reference	SEC Code	Part Description	Vendor Part No
81	Q300	0506-001004	TR-ARRAY;UMC5N,NPN/PNP,2,	UMC5NTR
82	Q400	0501-000162	TR-SMALL SIGNAL;2SA1576,P	STA1576A-G
83	Q491	0504-000167	TR-DIGITAL;RN1102,NPN,100	DTC114EE/TR
84	Q492	0501-000162	TR-SMALL SIGNAL;2SA1576,P	2SA1576
85	Q600	0504-001058	TR-DIGITAL;RN4985,NPN/PNP	RN4985-TE85L
86	Q601	0504-001058	TR-DIGITAL;RN4985,NPN/PNP	RN4985-TE85L
87	Q602	0504-001058	TR-DIGITAL;RN4985,NPN/PNP	RN4985-TE85L
88	Q603	0504-001012	TR-DIGITAL;DTC114YE,NPN,1	DTC114YE
89	R200	2007-000162	R-CHIP;100Kohm,5%,1/16W,D	TSR16GJ104V
90	R201	2007-000162	R-CHIP;100Kohm,5%,1/16W,D	TSR16GJ104V
91	R207	2011-001344	R-NETWORK;100ohm,5%,1/16W	EXB28V101JX
92	R208	2007-000138	R-CHIP;100ohm,5%,1/16W,DA	ERJ2GE101X
93	R209	2011-001344	R-NETWORK;100ohm,5%,1/16W	EXB28V101JX
94	R214	2007-000157	R-CHIP;47Kohm,5%,1/16W,DA	TSR16GJ473V
95	R215	2007-000139	R-CHIP;220ohm,5%,1/16W,DA	TSR16GJ221V
96	R216	2007-007771	R-CHIP;0OHM,5%,1/16W,DA,T	ERJ2GEJ0R0E
97	R217	2007-007771	R-CHIP;0OHM,5%,1/16W,DA,T	ERJ2GEJ0R0E
98	R218	2007-007771	R-CHIP;0OHM,5%,1/16W,DA,T	ERJ2GEJ0R0E
99	R300	2007-000162	R-CHIP;100Kohm,5%,1/16W,D	TSR16GJ104V
100	R301	2007-000162	R-CHIP;100Kohm,5%,1/16W,D	TSR16GJ104V
101	R302	2007-000148	R-CHIP;10Kohm,5%,1/16W,DA	TSR16GJ103
102	R303	2007-000148	R-CHIP;10Kohm,5%,1/16W,DA	TSR16GJ103
103	R304	2007-000148	R-CHIP;10Kohm,5%,1/16W,DA	TSR16GJ103
104	R305	2007-000148	R-CHIP;10Kohm,5%,1/16W,DA	TSR16GJ103
105	R306	2007-000148	R-CHIP;10Kohm,5%,1/16W,DA	TSR16GJ103
106	R400	2007-000148	R-CHIP;10Kohm,5%,1/16W,DA	TSR16GJ103
107	R402	2007-000148	R-CHIP;10Kohm,5%,1/16W,DA	TSR16GJ103
108	R404	2007-000148	R-CHIP;10Kohm,5%,1/16W,DA	TSR16GJ103
109	R405	2007-000148	R-CHIP;10Kohm,5%,1/16W,DA	TSR16GJ103
110	R412	2007-000148	R-CHIP;10Kohm,5%,1/16W,DA	TSR16GJ103
111	R418	2007-007771	R-CHIP;0OHM,5%,1/16W,DA,T	ERJ2GEJ0R0E
112	R490	2007-000143	R-CHIP;4.7Kohm,5%,1/16W,D	TSR16GJ472V
113	R491	2007-000140	R-CHIP;1Kohm,5%,1/16W,DA,	TSR16GJ102V
114	R492	2007-007771	R-CHIP;0OHM,5%,1/16W,DA,T	ERJ2GEJ0R0E
115	R512	2007-000157	R-CHIP;47Kohm,5%,1/16W,DA	TSR16GJ473V
116	R513	2007-000162	R-CHIP;100Kohm,5%,1/16W,D	TSR16GJ104V
117	R514	2007-000148	R-CHIP;10Kohm,5%,1/16W,DA	TSR16GJ103
118	R518	2007-000148	R-CHIP;10Kohm,5%,1/16W,DA	TSR16GJ103
119	R519	2007-000148	R-CHIP;10Kohm,5%,1/16W,DA	TSR16GJ103
120	R520	2007-000148	R-CHIP;10Kohm,5%,1/16W,DA	TSR16GJ103
121	R524	2007-000157	R-CHIP;47Kohm,5%,1/16W,DA	TSR16GJ473V
122	R532	2007-000141	R-CHIP;2.2Kohm,5%,1/16W,D	TSR16GJ222V

NO	Reference	SEC Code	Part Description	Vendor Part No
123	R533	2007-000141	R-CHIP;2.2Kohm,5%,1/16W,D	TSR16GJ222V
124	R535	2007-000148	R-CHIP;10Kohm,5%,1/16W,DA	TSR16GJ103
125	R536	2007-000148	R-CHIP;10Kohm,5%,1/16W,DA	TSR16GJ103
126	R539	2007-000143	R-CHIP;4.7Kohm,5%,1/16W,D	TSR16GJ472V
127	R540	2011-001345	R-NETWORK;10Kohm,5%,1/16W	EXB28V103JX
128	R543	2007-000162	R-CHIP;100Kohm,5%,1/16W,D	TSR16GJ104V
129	R586	2007-000162	R-CHIP;100Kohm,5%,1/16W,D	TSR16GJ104V
130	R587	2007-000148	R-CHIP;10Kohm,5%,1/16W,DA	TSR16GJ103
131	R617	2007-007142	R-CHIP;10Kohm,1%,1/16W,DA,	ERJ2GEF103X
132	R618	2007-007142	R-CHIP;10Kohm,1%,1/16W,DA,	ERJ2GEF103X
133	R624	2007-007132	R-CHIP;15Kohm,1%,1/16W,DA,	MCR01MZSF1502
134	R633	2007-000148	R-CHIP;10Kohm,5%,1/16W,DA	TSR16GJ103
135	R634	2007-000140	R-CHIP;1Kohm,5%,1/16W,DA,	TSR16GJ102V
136	R635	2007-000148	R-CHIP;10Kohm,5%,1/16W,DA	TSR16GJ103
137	R636	2007-000141	R-CHIP;2.2Kohm,5%,1/16W,D	TSR16GJ222V
138	R637	2007-000148	R-CHIP;10Kohm,5%,1/16W,DA	TSR16GJ103
139	R641	2007-000148	R-CHIP;10Kohm,5%,1/16W,DA	TSR16GJ103
140	R650	2007-000137	R-CHIP;2Kohm,5%,1/16W,DA,	TSR16GJ202V
141	R651	2007-007142	R-CHIP;10Kohm,1%,1/16W,DA,	ERJ2GEF103X
142	R654	2007-007771	R-CHIP;0OHM,5%,1/16W,DA,T	ERJ2GEJ0R0E
143	R655	2007-007771	R-CHIP;0OHM,5%,1/16W,DA,T	ERJ2GEJ0R0E
144	U200	1009-001006	IC-HALL EFFECT S/W;A3210E	A3210ELH
145	U300	0505-001423	FET-SILICON;FDG6323L,N/P,	FDG6323L
146	U401	0801-002540	IC-CMOS LOGIC;7SZ19,DECOD	NC7SZ19P6X
147	U600	3705-001242	CONNECTOR-COAXIAL;-JACK,	CRS5001-1705
148	U611	1209-001354	IC-ETC, LINEAR;HD155173NP	HD155173NPEL
149	V207	1405-001093	VARISTOR;14V,20A,1x0.5x0.	VC040214X300
150	V209	1405-001093	VARISTOR;14V,20A,1x0.5x0.	VC040214X300
151	V500	1405-001082	VARISTOR;5.6V,20A,1x0.5x0	VC040205X150R
152	V502	1405-001082	VARISTOR;5.6V,20A,1x0.5x0	VC040205X150R

3-2 Main Parts List Bottom

NO	Reference	SEC Code	Part Description	Vendor Part No
1	C100	2404-001105	C-TA,CHIP;10uF,20%,6.3V,-	TAJR106M006R
2	C101	2203-000254	C-CERAMIC,CHIP;10nF,10%,1	CM05X7R103K16AT
3	C107	2203-005061	C-CERAMIC,CHIP;100nF,+80-	MCH153F104ZK
4	C108	2404-001105	C-TA,CHIP;10uF,20%,6.3V,-	TAJR106M006R
5	C109	2203-000254	C-CERAMIC,CHIP;10nF,10%,1	CM05X7R103K16AT
6	C110	2404-001105	C-TA,CHIP;10uF,20%,6.3V,-	TAJR106M006R
7	C111	2404-001134	C-TA,CHIP;100UF,20%,6.3V,	595D107X06R3B2T
8	C112	2203-005562	C-CERAMIC,CHIP;1000nF,+8	GRM230Y5V106Z10PT
9	C113	2203-005065	C-CERAMIC,CHIP;100nF,+80	CL10F105ZONC
10	C114	2203-005061	C-CERAMIC,CHIP;100nF,+80-	MCH153F104ZK
11	C115	2404-001105	C-TA,CHIP;10uF,20%,6.3V,-	TAJR106M006R
12	C116	2203-000254	C-CERAMIC,CHIP;10nF,10%,1	CM05X7R103K16AT
13	C117	2203-005065	C-CERAMIC,CHIP;100nF,+80	CL10F105ZONC
14	C118	2404-001105	C-TA,CHIP;10uF,20%,6.3V,-	TAJR106M006R
15	C119	2203-000254	C-CERAMIC,CHIP;10nF,10%,1	CM05X7R103K16AT
16	C120	2404-001105	C-TA,CHIP;10uF,20%,6.3V,-	TAJR106M006R
17	C121	2203-000679	C-CERAMIC,CHIP;0.027nF,5%	CM05CG270J50AT
18	C122	2203-005065	C-CERAMIC,CHIP;100nF,+80	CL10F105ZONC
19	C123	2404-001105	C-TA,CHIP;10uF,20%,6.3V,-	TAJR106M006R
20	C124	2203-005061	C-CERAMIC,CHIP;100nF,+80-	MCH153F104ZK
21	C125	2203-005065	C-CERAMIC,CHIP;100nF,+80	CL10F105ZONC
22	C126	2203-000254	C-CERAMIC,CHIP;10nF,10%,1	CM05X7R103K16AT
23	C127	2203-005065	C-CERAMIC,CHIP;100nF,+80	CL10F105ZONC
24	C131	2404-001231	C-TA,CHIP;47uF,20%,6.3V,G	595D476X06R3A2T
25	C209	2203-000679	C-CERAMIC,CHIP;0.027nF,5%	CM05CG270J50AT
26	C306	2203-005061	C-CERAMIC,CHIP;100nF,+80-	MCH153F104ZK
27	C316	2404-001020	C-TA,CHIP;10uF,20%,10V,GP	TMCMA1A106MTR
28	C317	2404-001105	C-TA,CHIP;10uF,20%,6.3V,-	TAJR106M006R
29	C318	2203-005061	C-CERAMIC,CHIP;100nF,+80-	MCH153F104ZK
30	C321	2203-005481	C-CERAMIC,CHIP;47nF,10%,1	GRM36X7R473K10PT
31	C322	2404-001105	C-TA,CHIP;10uF,20%,6.3V,-	TAJR106M006R
32	C333	2203-005061	C-CERAMIC,CHIP;100nF,+80-	MCH153F104ZK
33	C491	2203-005065	C-CERAMIC,CHIP;100nF,+80-	CL10F105ZONC
34	C502	2203-000679	C-CERAMIC,CHIP;0.027nF,5%	CM05CG270J50AT
35	C503	2203-003054	C-CERAMIC,CHIP;0.009nF,0.	C1005CG1H090CT
36	C504	2203-005503	C-CERAMIC,CHIP;0.18nF,5%,	GRM36C0G181J25PT
37	C505	2203-000233	C-CERAMIC,CHIP;0.1nF,5%,5	CM05CG101J50AT
38	C506	2203-000233	C-CERAMIC,CHIP;0.1nF,5%,5	CM05CG101J50AT
39	C507	2203-000233	C-CERAMIC,CHIP;0.1nF,5%,5	CM05CG101J50AT
40	C508	2203-000233	C-CERAMIC,CHIP;0.1nF,5%,5	CM05CG101J50AT
41	C509	2203-000254	C-CERAMIC,CHIP;10nF,10%,1	CM05X7R103K16AT
42	C510	2203-005503	C-CERAMIC,CHIP;0.18nF,5%,	GRM36C0G181J25PT

NO	Reference	SEC Code	Part Description	Vendor Part No
43	C514	2203-000812	C-CERAMIC,CHIP;0.033nF,5%	CM05CG330J50AT
44	C516	2203-000812	C-CERAMIC,CHIP;0.033nF,5%	CM05CG330J50AT
45	C517	2203-000812	C-CERAMIC,CHIP;0.033nF,5%	CM05CG330J50AT
46	C520	2203-000254	C-CERAMIC,CHIP;10nF,10%,1	CM05X7R103K16AT
47	C525	2203-000812	C-CERAMIC,CHIP;0.033nF,5%	CM05CG330J50AT
48	C526	2203-005061	C-CERAMIC,CHIP;100nF,+80-	MCH153F104ZK
49	C532	2203-005480	C-CERAMIC,CHIP;33nF,10%,1	GRM36X7R333K10PT
50	C538	2203-005480	C-CERAMIC,CHIP;33nF,10%,1	GRM36X7R333K10PT
51	C547	2203-000254	C-CERAMIC,CHIP;10nF,10%,1	CM05X7R103K16AT
52	C548	2203-003054	C-CERAMIC,CHIP;0.009nF,0.	C1005CG1H090CT
53	C550	2203-000254	C-CERAMIC,CHIP;10nF,10%,1	CM05X7R103K16AT
54	C551	2203-000254	C-CERAMIC,CHIP;10nF,10%,1	CM05X7R103K16AT
55	C553	2404-001231	C-TA,CHIP;47uF,20%,6.3V,G	595D476X06R3A2T
56	C554	2203-000995	C-CERAMIC,CHIP;0.047nF,5%	CM05CG470J50AT
57	C556	2203-000995	C-CERAMIC,CHIP;0.047nF,5%	CM05CG470J50AT
58	C600	2203-000254	C-CERAMIC,CHIP;10nF,10%,1	CM05X7R103K16AT
59	C601	2203-000438	C-CERAMIC,CHIP;1nF,10%,50	CM05X7R102K20AH
60	C602	2203-000278	C-CERAMIC,CHIP;0.01nF,0.5	CM05CG100D50AT
61	C603	2203-001259	C-CERAMIC,CHIP;0.008nF,5%	CM05CG080D50AT
62	C605	2203-000278	C-CERAMIC,CHIP;0.01nF,0.5	CM05CG100D50AT
63	C606	2203-000995	C-CERAMIC,CHIP;0.047nF,5%	CM05CG470J50AT
64	C607	2203-005450	C-CERAMIC,CHIP;0.0056nF,+	GRM36COG5R6B50PT
65	C609	2203-001259	C-CERAMIC,CHIP;0.008nF,5%	CM05CG080D50AT
66	C612	2203-000438	C-CERAMIC,CHIP;1nF,10%,50	CM05X7R102K20AH
67	C613	2203-000438	C-CERAMIC,CHIP;1nF,10%,50	CM05X7R102K20AH
68	C614	2203-000233	C-CERAMIC,CHIP;0.1nF,5%,5	CM05CG101J50AT
69	C616	2203-000438	C-CERAMIC,CHIP;1nF,10%,50	CM05X7R102K20AH
70	C617	2203-000359	C-CERAMIC,CHIP;0.15nF,5%,	CM05CG151J50AT
71	C618	2203-000233	C-CERAMIC,CHIP;0.1nF,5%,5	CM05CG101J50AT
72	C619	2203-000438	C-CERAMIC,CHIP;1nF,10%,50	CM05X7R102K20AH
73	C620	2203-000438	C-CERAMIC,CHIP;1nF,10%,50	CM05X7R102K20AH
74	C622	2203-000654	C-CERAMIC,CHIP;270pF,10%,	CM05X7R271K50AH
75	C623	2203-000679	C-CERAMIC,CHIP;0.027nF,5%	CM05CG270J50AT
76	C624	2203-001383	C-CERAMIC,CHIP;0.0005nF,0.	CM05CGR50C50AT
77	C625	2203-005444	C-CERAMIC,CHIP;0.003nF,0.	GRM36COG030B50PT
78	C628	2203-000679	C-CERAMIC,CHIP;0.027nF,5%	CM05CG270J50AT
79	C629	2203-005281	C-CERAMIC,CHIP;0.0015nF,+	GRM36C0G1R5B50PT
80	C632	2404-001210	C-TA,CHIP;220uF,20%,6.3V,	592D227X06R3U2T
81	C635	2404-001105	C-TA,CHIP;10UF,20%,6.3V,-	TAJR106M006R
82	C636	2203-000438	C-CERAMIC,CHIP;1nF,10%,50	CM05X7R102K20AH
83	C638	2203-000233	C-CERAMIC,CHIP;0.1nF,5%,5	CM05CG101J50AT
84	C639	2203-005443	C-CERAMIC,CHIP;0.0033nF,0	GRM36COG3R3B50PT

NO	Reference	SEC Code	Part Description	Vendor Part No
85	C642	2203-000254	C-CERAMIC,CHIP;10nF,10%,1	CM05X7R103K16AT
86	C643	2203-000696	C-CERAMIC,CHIP;0.002nF,0.	CM05CG270J50AT
87	C645	2203-000438	C-CERAMIC,CHIP;1nF,10%,50	CM05X7R102K20AH
88	C646	2203-000812	C-CERAMIC,CHIP;0.033nF,5%	CM05CG330J50AT
89	C647	2203-000812	C-CERAMIC,CHIP;0.033nF,5%	CM05CG330J50AT
90	C648	2203-000438	C-CERAMIC,CHIP;1nF,10%,50	CM05X7R102K20AH
91	C649	2404-001101	C-TA,CHIP;1uF,20%,16V,GP,	TAJR105M106R
92	C650	2203-002443	C-CERAMIC,CHIP;0.33nF,10%	CL05B331KBNC
93	C653	2301-001197	C-FILM,CHIP;390pF,5%,16V,	ECHU1H391JX5
94	C654	2301-001213	C-FILM,CHIP;6.8nF,5%,16V,	ECHU1C682JX5
95	C661	2203-000995	C-CERAMIC,CHIP;0.047nF,5%	CM05CG470J50AT
96	C663	2203-002525	C-CERAMIC,CHIP;0.56nF,10%	GRM36X7R561K50PT
97	C665	2203-000679	C-CERAMIC,CHIP;0.027nF,5%	CM05CG270J50AT
98	C666	2203-000233	C-CERAMIC,CHIP;0.1nF,5%,5	CM05CG101J50AT
99	C667	2203-000233	C-CERAMIC,CHIP;0.1nF,5%,5	CM05CG101J50AT
100	C668	2203-000233	C-CERAMIC,CHIP;0.1nF,5%,5	CM05CG101J50AT
101	C669	2203-000995	C-CERAMIC,CHIP;0.047nF,5%	CM05CG470J50AT
102	C671	2203-000254	C-CERAMIC,CHIP;10nF,10%,1	CM05X7R103K16AT
103	C672	2203-002525	C-CERAMIC,CHIP;0.56nF,10%	GRM36X7R561K50PT
104	C674	2203-002525	C-CERAMIC,CHIP;0.56nF,10%	GRM36X7R561K50PT
105	C675	2203-000679	C-CERAMIC,CHIP;0.027nF,5%	CM05CG270J50AT
106	C676	2203-000254	C-CERAMIC,CHIP;10nF,10%,1	CM05X7R103K16AT
107	C677	2203-000233	C-CERAMIC,CHIP;0.1nF,5%,5	CM05CG101J50AT
108	C678	2203-000233	C-CERAMIC,CHIP;0.1nF,5%,5	CM05CG101J50AT
109	C679	2203-000233	C-CERAMIC,CHIP;0.1nF,5%,5	CM05CG101J50AT
110	C681	2203-000233	C-CERAMIC,CHIP;0.1nF,5%,5	CM05CG101J50AT
111	C682	2203-000679	C-CERAMIC,CHIP;0.027nF,5%	CM05CG270J50AT
112	C684	2203-000812	C-CERAMIC,CHIP;0.033nF,5%	CM05CG330J50AT
113	C689	2203-005158	C-CERAMIC,CHIP;0.0022nF,0	CL05C2R2CBNC
114	C695	2203-001259	C-CERAMIC,CHIP;0.008nF,5%	CM05CG080D50AT
115	C699	2203-000438	C-CERAMIC,CHIP;1nF,10%,50	CM05X7R102K20AH
116	CN2	3710-001105	CONNECTOR-SOCKET;2P,1R,1.	24-8005-002-000-867
117	CN220	3710-001595	CONNECTOR-SOCKET;18P,1R,0	1004-0018-304
118	CN301	3709-001074	CONNECTOR-CARD EDGE;6P,2.	ID1-6S-2.54SF
119	CN501	3722-001587	JACK-PHONE;6P,2.6PI,AG,BL	02-828DO-53BKA
120	D100	0401-001033	DIODE-SWITCHING;MCL4154,2	MCL4154
121	D101	0402-001331	DIODE-RECTIFIER;CRS04,40V	CRS04-TE85L
122	L100	2703-002025	INDUCTOR-SMD;47uH,20%,6.6	BTC-0309-470M
123	L500	2703-001752	INDUCTOR-SMD;39nH,5%,1.0x	LL1005-FH39NJ
124	L600	2703-001685	INDUCTOR-SMD;82nH,5%,1.7x	0603CS-82NXJBC
125	L601	2703-001685	INDUCTOR-SMD;82nH,5%,1.7x	0603CS-82NXJBC
126	L604	2703-001514	INDUCTOR-SMD;68nH,5%,1.8x	0603CS-68NXJBC

NO	Reference	SEC Code	Part Description	Vendor Part No
127	L605	2703-001752	INDUCTOR-SMD;39nH,5%,1.0x	LL1005-FH39NJ
128	L608	2703-001685	INDUCTOR-SMD;82nH,5%,1.7x	0603CS-82NXJBC
129	L611	2703-001952	INDUCTOR-SMD;8.2nH,5%,1.0	HK1005-8N2J-T
130	L612	2703-001970	INDUCTOR-SMD;18nH,5%,1.0x	HK1005-18NJ-T
131	L613	2703-001734	INDUCTOR-SMD;6.8nH,5%,1x0	LL1005-FH6N8J
132	L614	2703-001734	INDUCTOR-SMD;6.8nH,5%,1x0	LL1005-FH6N8J
133	L615	2703-001798	INDUCTOR-SMD;2.2NH,0.3NH,	HK1005-2N2S-T
134	L616	2703-001786	INDUCTOR-SMD;10NH,5%,1.0X	LL1005-FH10NJ
135	L617	2703-001798	INDUCTOR-SMD;2.2NH,0.3NH,	HK1005-2N2S-T
136	L618	2703-001734	INDUCTOR-SMD;6.8nH,5%,1x0	LL1005-FH6N8J
137	L619	2703-001734	INDUCTOR-SMD;6.8nH,5%,1x0	LL1005-FH6N8J
138	L621	2703-001938	INDUCTOR-SMD;56nH,5%,1.0x	LL1005-FH56NJ
139	L622	2703-001752	INDUCTOR-SMD;39nH,5%,1.0x	LL1005-FH39NJ
140	L623	2703-001752	INDUCTOR-SMD;39nH,5%,1.0x	LL1005-FH39NJ
141	L630	2703-001723	INDUCTOR-SMD;33nH,5%,1.0x	LL1005-FH33NJ
142	L631	2703-001747	INDUCTOR-SMD;4.7nH,0.3nH,	LL1005-FH4N7S
143	L632	2703-001747	INDUCTOR-SMD;4.7nH,0.3nH,	LL1005-FH4N7S
144	L633	2703-001951	INDUCTOR-SMD;33nH,5%,1.0x	HK1005-33NS-T
145	L634	2703-001727	INDUCTOR-SMD;22nH,5%,1x0.	HK1005-22NJ-T
146	L635	2703-001949	INDUCTOR-SMD;4.7nH,10%,1.	HK1005-4N7K-T
147	M100	4302-001119	BATTERY-LI(2ND);3V,0.1MAH	ML414R-TT33
148	OSC500	2801-003856	CRYSTAL-SMD;0.032786MHZ,2	MC-146
149	Q200	0501-002011	TR-SMALL SIGNAL;2SD2114K,	2SD2114KT146V
150	Q303	0501-002346	TR-SMALL SIGNAL;2SB1427,P	2SB1427-E-T100
151	Q500	0501-002011	TR-SMALL SIGNAL;2SD2114K,	2SD2114KT146V
152	Q604	0501-000225	TR-SMALL SIGNAL;2SC4617,N	2SC4617
153	R100	2007-001308	R-CHIP;200ohm,5%,1/16W,DA	TSR16GJ201V
154	R101	2007-000148	R-CHIP;10Kohm,5%,1/16W,DA	TSR16GJ103
155	R102	2007-000148	R-CHIP;10Kohm,5%,1/16W,DA	TSR16GJ103
156	R103	2007-007771	R-CHIP;0OHM,5%,1/16W,DA,T	ERJ2GEJ0R0E
157	R203	2007-007771	R-CHIP;0OHM,5%,1/16W,DA,T	ERJ2GEJ0R0E
158	R211	2007-000140	R-CHIP;1Kohm,5%,1/16W,DA,	TSR16GJ102V
159	R212	2007-000162	R-CHIP;100Kohm,5%,1/16W,D	TSR16GJ104V
160	R230	2007-007771	R-CHIP;0OHM,5%,1/16W,DA,T	ERJ2GEJ0R0E
161	R307	2007-000159	R-CHIP;56Kohm,5%,1/16W,DA	TSR16GJ563V
162	R320	2007-007590	R-CHIP;82Kohm,1%,1/16W,DA	RK73H1ETP8202F
163	R323	2007-007107	R-CHIP;100Kohm,1%,1/16W,DA	MCR01MZSF1003
164	R328	2007-008117	R-CHIP;2.7Kohm,1%,1/16W,D	RK73H1ETP2701F
165	R331	2007-000170	R-CHIP;1Mohm,5%,1/16W,DA,	TSR8GJ105V
166	R332	2007-003028	R-CHIP;750KOHM,5%,1/16W,D	TSR16GJ754V
167	R500	2007-007317	R-CHIP;2.2Kohm,1%,1/16W,D	MCR01MZSF2201
168	R501	2007-007317	R-CHIP;2.2Kohm,1%,1/16W,D	MCR01MZSF2201

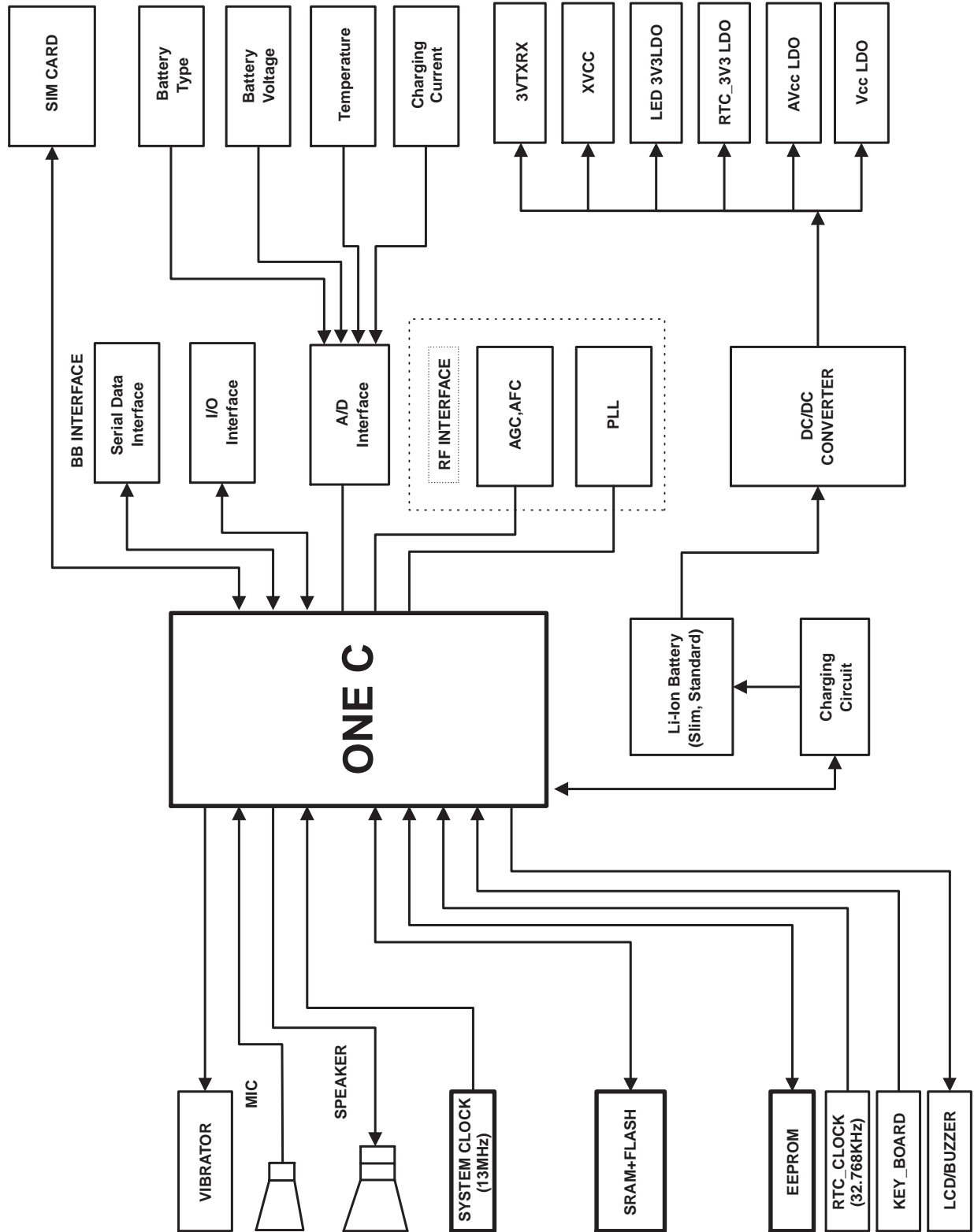
NO	Reference	SEC Code	Part Description	Vendor Part No
169	R502	2007-007317	R-CHIP;2.2Kohm,1%,1/16W,D	MCR01MZSF2201
170	R503	2007-007317	R-CHIP;2.2Kohm,1%,1/16W,D	MCR01MZSF2201
171	R504	2007-007318	R-CHIP;1Kohm,1%,1/16W,DA,	MCR01MZSF1001
172	R505	2007-000148	R-CHIP;10Kohm,5%,1/16W,DA	TSR16GJ103
173	R506	2007-007318	R-CHIP;1Kohm,1%,1/16W,DA,	MCR01MZSF1001
174	R507	2007-007318	R-CHIP;1Kohm,1%,1/16W,DA,	MCR01MZSF1001
175	R508	2007-000162	R-CHIP;100Kohm,5%,1/16W,D	TSR16GJ104V
176	R509	2007-000148	R-CHIP;10Kohm,5%,1/16W,DA	TSR16GJ103
177	R510	2007-000162	R-CHIP;100Kohm,5%,1/16W,D	TSR16GJ104V
178	R511	2007-007318	R-CHIP;1Kohm,1%,1/16W,DA,	MCR01MZSF1001
179	R516	2007-000162	R-CHIP;100Kohm,5%,1/16W,D	TSR16GJ104V
180	R521	2007-000152	R-CHIP;20Kohm,5%,1/16W,DA	TSR16GJ203V
181	R522	2007-000162	R-CHIP;100Kohm,5%,1/16W,D	TSR16GJ104V
182	R523	2007-000162	R-CHIP;100Kohm,5%,1/16W,D	TSR16GJ104V
183	R525	2007-000139	R-CHIP;220ohm,5%,1/16W,DA	TSR16GJ221V
184	R526	2007-000168	R-CHIP;470Kohm,5%,1/16W,D	TSR16GJ474V
185	R527	2007-002796	R-CHIP;510ohm,5%,1/16W,DA	TSR16GJ511V
186	R528	2007-000148	R-CHIP;10Kohm,5%,1/16W,DA	TSR16GJ103
187	R529	2007-000157	R-CHIP;47Kohm,5%,1/16W,DA	TSR16GJ473V
188	R530	2007-002796	R-CHIP;510ohm,5%,1/16W,DA	TSR16GJ511V
189	R531	2007-000139	R-CHIP;220ohm,5%,1/16W,DA	TSR16GJ221V
190	R538	2007-007981	R-CHIP;180Kohm,1%,1/16W,D	ERJ2RKF1803X
191	R541	2007-007488	R-CHIP;75Kohm,1%,1/16W,D	RK73H1ETP7502F
192	R542	2007-000170	R-CHIP;1Mohm,5%,1/16W,DA,	TSR8GJ105V
193	R544	2007-000170	R-CHIP;1Mohm,5%,1/16W,DA,	TSR8GJ105V
194	R545	2007-000170	R-CHIP;1Mohm,5%,1/16W,DA,	TSR8GJ105V
195	R604	2007-000172	R-CHIP;10ohm,5%,1/16W,DA,	TSR16GJ100V
196	R605	2007-000172	R-CHIP;10ohm,5%,1/16W,DA,	TSR16GJ100V
197	R606	2007-000174	R-CHIP;47ohm,5%,1/16W,DA,	RK73K1ETP470J
198	R611	2007-001335	R-CHIP;36Kohm,5%,1/16W,DA	TSR16GJ363V
199	R613	2011-001364	R-NETWORK;50OHM,-,0.04W,-	EXB24AT4AR
200	R614	2011-001364	R-NETWORK;50OHM,-,0.04W,-	EXB24AT4AR
201	R616	2007-000138	R-CHIP;100ohm,5%,1/16W,DA	ERJ2GE101X
202	R621	2007-001301	R-CHIP;68ohm,5%,1/16W,DA,	TSR16GJ680V
203	R622	2007-000138	R-CHIP;100ohm,5%,1/16W,DA	ERJ2GE101X
204	R623	2007-000139	R-CHIP;220ohm,5%,1/16W,DA	TSR16GJ221V
205	R625	2007-001311	R-CHIP;270ohm,5%,1/16W,DA	TSR16GJ271V
206	R626	2007-007311	R-CHIP;22Kohm,1%,1/16W,DA,	RK73H1ETP2202F
207	R627	2007-000174	R-CHIP;47ohm,5%,1/16W,DA,	RK73K1ETP470J
208	R628	2007-001301	R-CHIP;68ohm,5%,1/16W,DA,	TSR16GJ680V
209	R629	2007-001301	R-CHIP;68ohm,5%,1/16W,DA,	TSR16GJ680V
210	R630	2007-007307	R-CHIP;150ohm,1%,1/16W,DA,	RK73H1ETP1500F

NO	Reference	SEC Code	Part Description	Vendor Part No
211	R631	2007-001301	R-CHIP;68ohm,5%,1/16W,DA,	TSR16GJ680V
212	R632	2007-001301	R-CHIP;68ohm,5%,1/16W,DA,	TSR16GJ680V
213	R634	2007-000140	R-CHIP;1Kohm,5%,1/16W,DA,	TSR16GJ102V
214	R636	2007-000141	R-CHIP;2.2Kohm,5%,1/16W,D	TSR16GJ222V
215	R638	2007-007529	R-CHIP;91Kohm,1%,1/16W,DA	RK73H1ETP9102F
216	R639	2007-000172	R-CHIP;10ohm,5%,1/16W,DA,	TSR16GJ100V
217	R640	2007-007001	R-CHIP;3.9KOHM,5%,1/16W,D	TSR16GJ392V
218	R642	2011-001264	R-NETWORK;10ohm,5%,1/16W,	EXB28V100J
219	R646	2007-001307	R-CHIP;180ohm,5%,1/16W,DA	TSR16GJ181V
220	R648	2007-001305	R-CHIP;120ohm,5%,1/16W,DA	ERJ2GEJ121X
221	R653	2007-001298	R-CHIP;51ohm,5%,1/16W,DA,	ERJ2GEJ510X
222	TH300	1404-001005	THERMISTOR-NTC;47Kohm,5%,	NTH5G20P40B473J07TE
223	U100	1203-002160	IC-VOLTAGE REGULATOR;2981	LP2981AIBPX-3.3
224	U102	1203-002128	IC-VOLTAGE REGULATOR;2985	LP2985AIBPX-3.0
225	U103	1203-002161	IC-VOLTAGE REGULATOR;2982	LP2982AIBPX-3.0
226	U104	0505-001423	FET-SILICON;FDG6323L,N/P,	FDG6323L
227	U105	1203-002128	IC-VOLTAGE REGULATOR;2985	LP2985AIBPX-3.0
228	U106	1203-001702	IC-DC/DC CONVERTER;1676,S	MAX1676EUB-T
229	U110	1203-002128	IC-VOLTAGE REGULATOR;2985	LP2985AIBPX-3.0
230	U111	0505-001423	FET-SILICON;FDG6323L,N/P,	FDG6323L
231	U112	1203-002160	IC-VOLTAGE REGULATOR;2981	LP2981AIBPX-3.3
232	U303	1203-002127	IC-BATTERY;1734,SOT-23,6P	LTC1734ES6-4.2#TR
233	U304	1203-001903	IC-DC/DC CONVERTER;1986,S	LTC1986ES6
234	U400	1106-001301	IC-SRAM;1337,262Kx16Bit,C	LRS1337
235	U407	1203-001511	IC-RESET;809,SOT-23,3P,-,	TCM809RENB713
236	U501	1205-001881	ONE-C;VP40575,BGA,180P,47	VP40575
237	U502	1001-001145	IC-ANALOG SWITCH;MAX4599E	MAX4599EXT-T
238	U503	1001-001145	IC-ANALOG SWITCH;MAX4599E	MAX4599EXT-T
239	U504	1103-001184	IC-EEPROM;24C256,32Kx8Bit	AT24C256-10UI-2.7-T.R
240	U505	0505-001518	FET-SILICON;SI1012R,N,20V	SI1012R
241	U506	1201-001729	IC-OP AMP;6035,SMD,TP,8P,	LMC6035IBPX
242	U601	2903-001266	FILTER-DIELECTRIC;BP,225M	MKFC225.000MBA701X-TC11
243	U602	2909-001126	FILTER-DUPLEXER;942.5MHz,	SHS-L090DE
244	U603	2904-001235	FILTER-SAW;1.8425GHz,75MH	FAR-G6CH-1G8425-L218
245	U604	2904-001226	FILTER-SAW;942.5MHz,35MHz	B4121
246	U605	1205-001935	IC-TRANSCIEVER;HD155128TF	HD155128TF
247	U606	2904-001228	FILTER-SAW;1.8425GHz,-,18	B4133
248	U607	4709-001214	COUPLER-DIRECTION;880-915	DCS214E-0897
249	U608	1201-001785	IC-POWER AMP;08122,-,8P,	PF08122B-TB
250	U609	4709-001213	COUPLER-DIRECTION;1710-17	DCS214E-1747
251	U610	2806-001245	OSCILLATOR-VCO;900MHZ/175	ENFVF182SK5
252	U612	1209-001337	IC-PLL/SYNTHESISER;SI4133	SI4133G-XM2R

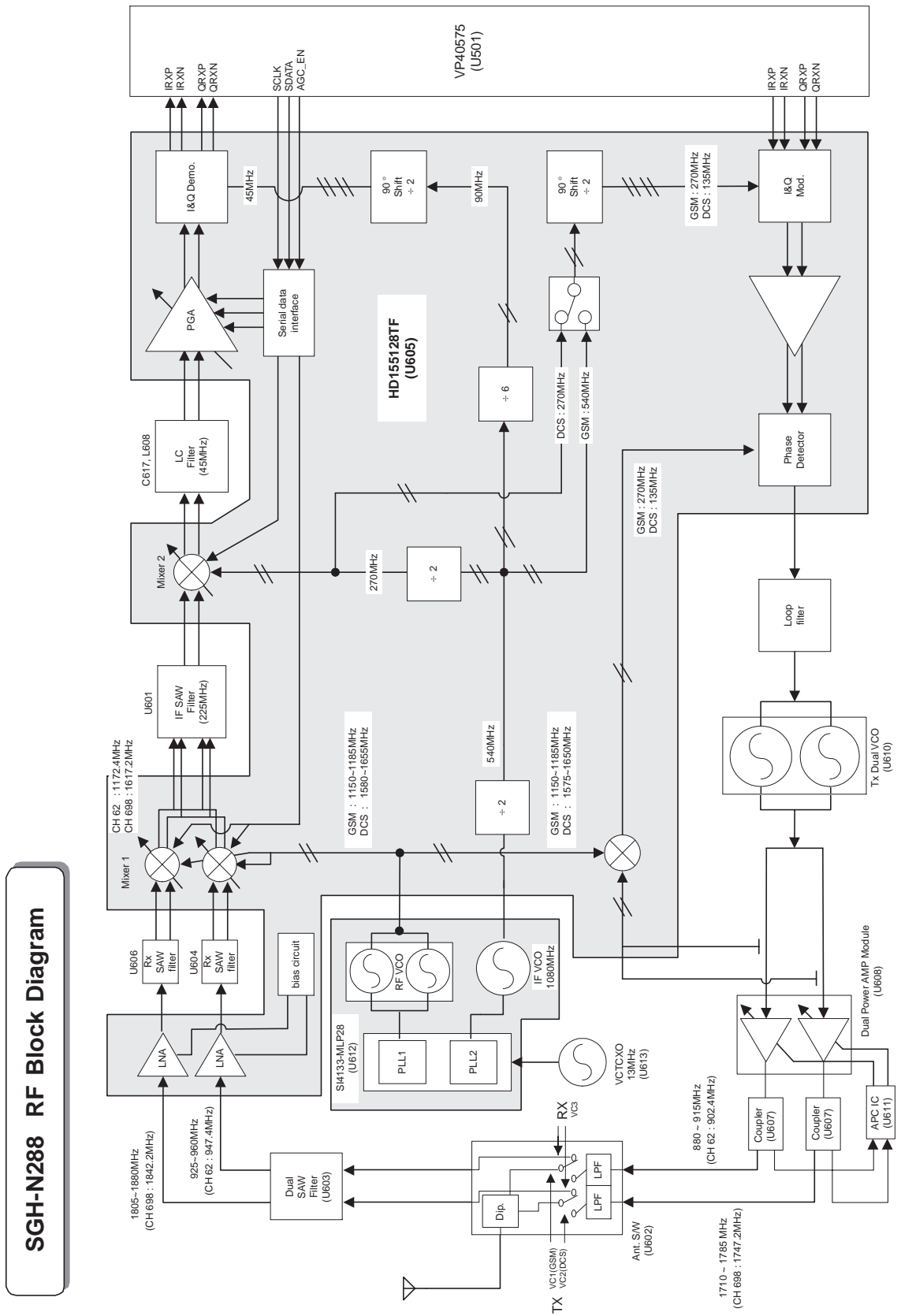
NO	Reference	SEC Code	Part Description	Vendor Part No
253	U613	2809-001237	OSCILLATOR-VCTCXO;13MHz,5	TCO-9131B
254	V205	1405-001082	VARISTOR;5.6V,20A,1x0.5x0	VC040205X150R
255	V206	1405-001093	VARISTOR;14V,20A,1x0.5x0.	VC040214X300
256	V208	1405-001093	VARISTOR;14V,20A,1x0.5x0.	VC040214X300
257	V220	1405-001093	VARISTOR;14V,20A,1x0.5x0.	VC040214X300
258	V221	1405-001093	VARISTOR;14V,20A,1x0.5x0.	VC040214X300
259	V491	1405-001082	VARISTOR;5.6V,20A,1x0.5x0	VC040205X150R
260	V501	1405-001082	VARISTOR;5.6V,20A,1x0.5x0	VC040205X150R
261	V503	1405-001082	VARISTOR;5.6V,20A,1x0.5x0	VC040205X150R
262	V504	1405-001082	VARISTOR;5.6V,20A,1x0.5x0	VC040205X150R
263	V505	1405-001082	VARISTOR;5.6V,20A,1x0.5x0	VC040205X150R
264	ZD202	0406-001104	DIODE-TVS;ESDA6V1-5W6,6.1	ESDA6V1-5W6
265	ZD203	0406-001084	DIODE-TVS;SMF05,6/-/-V,20	SMF05.TB
266	ZD501	0406-001084	DIODE-TVS;SMF05,6/-/-V,20	SMF05.TB

4. Block Diagrams

4-1 Main Base Band



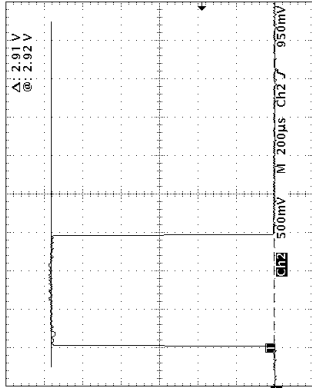
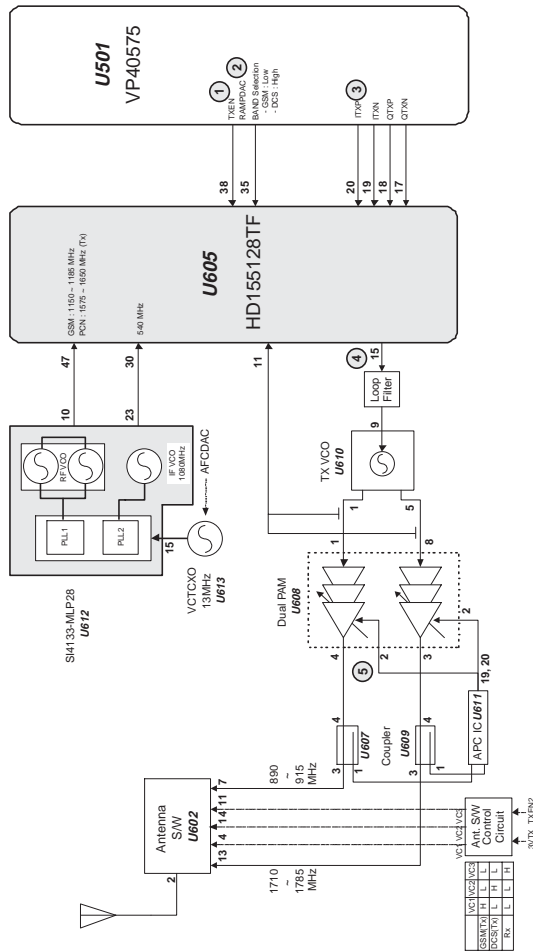
4-2 Main RF



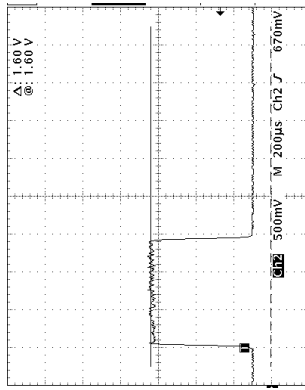
4-2-1 RF Tx Part

SGH-N288 RF Block Diagram - Tx Part

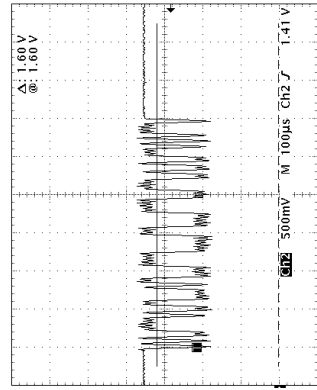
- GSM : Tx level 5 @ 60 CH
- DCS : Tx level 0 @ 698 CH



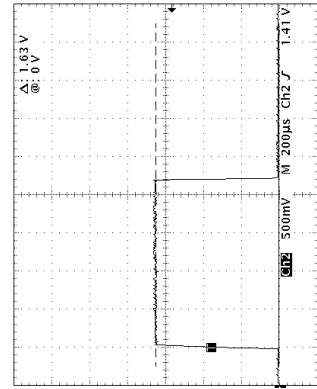
①



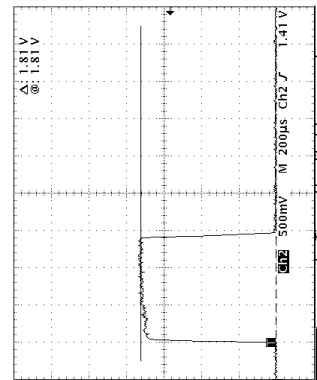
②



③



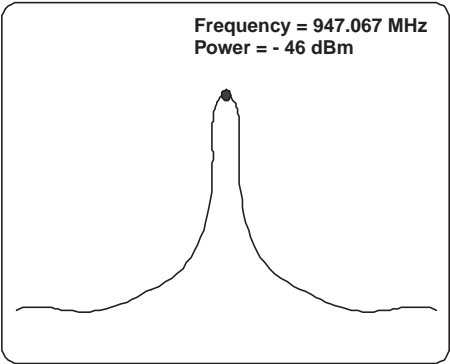
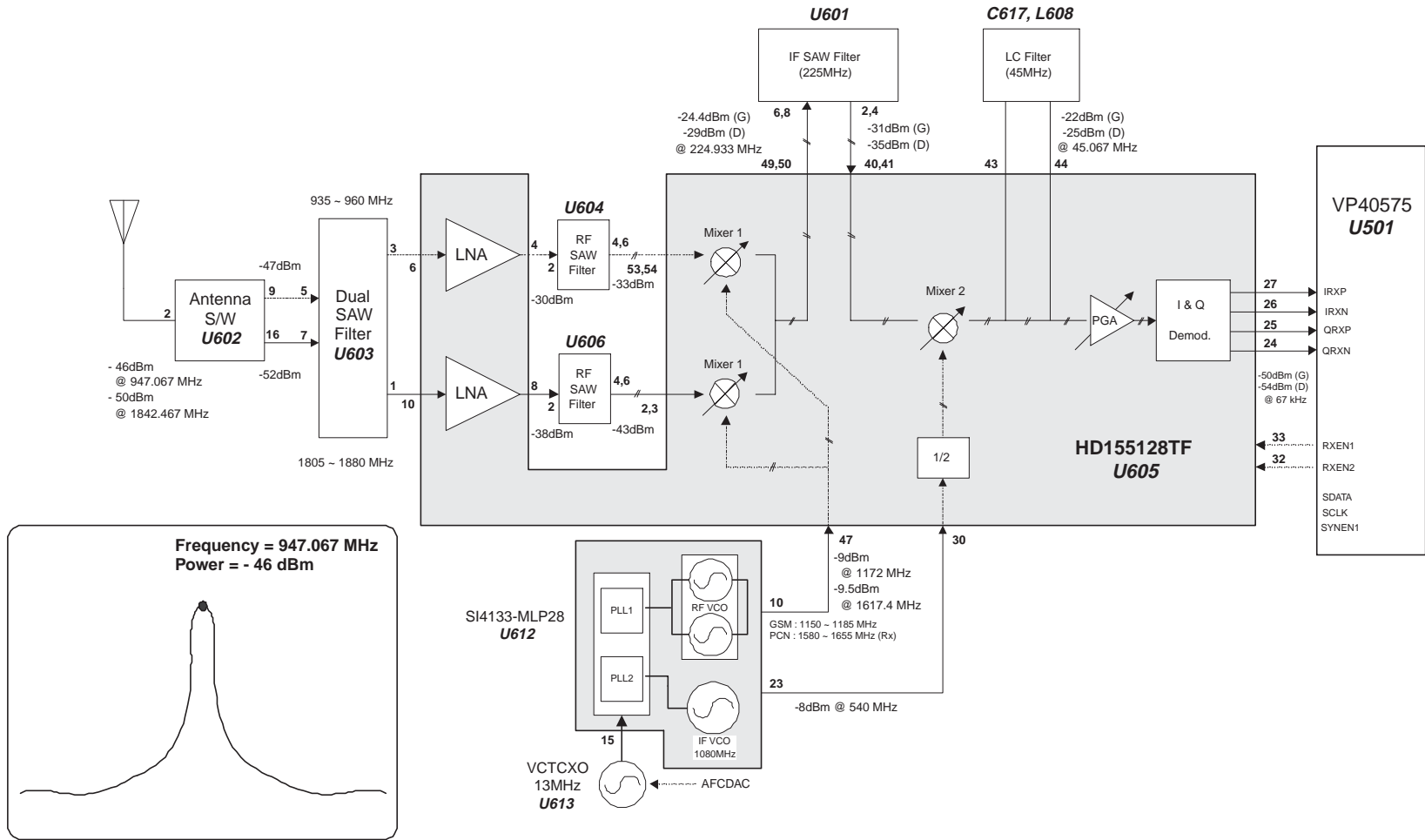
④



⑤

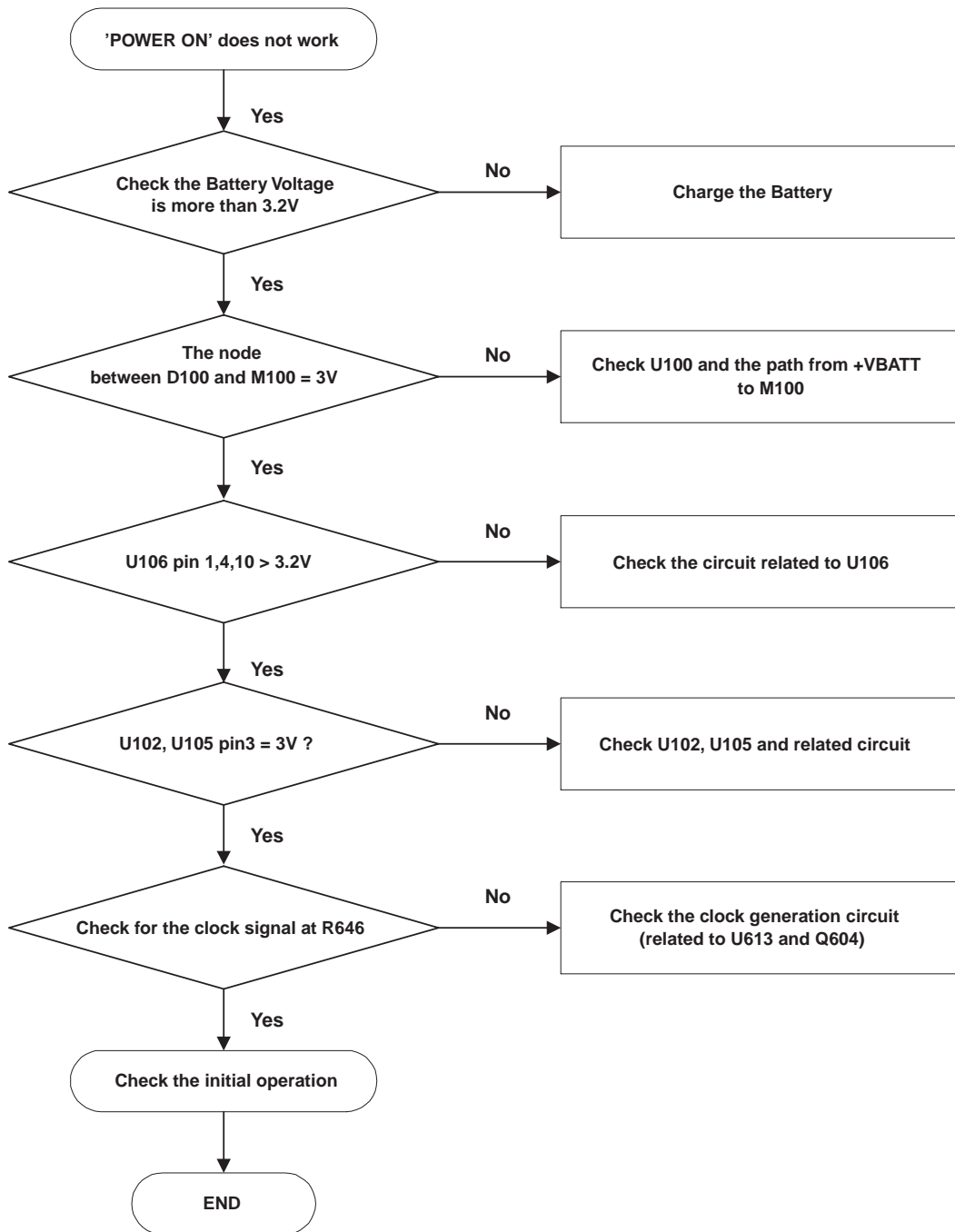
SGH-N288 RF Block Diagram - Rx Part

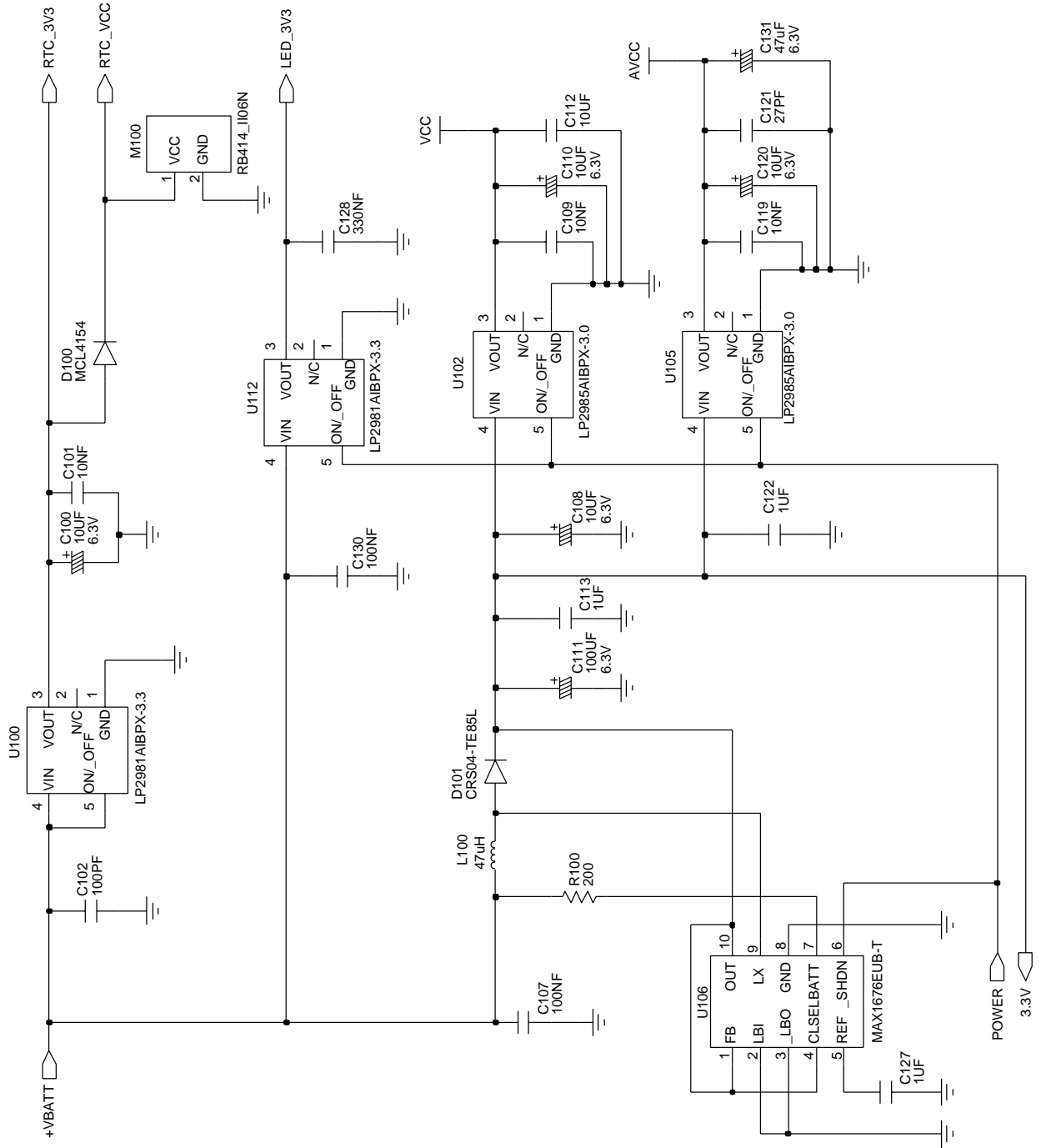
- GSM : Tx level 5 @ 60 CH, BS Power = - 40 dBm
- DCS : Tx level 0 @ 698 CH, BS Power = - 40 dBm



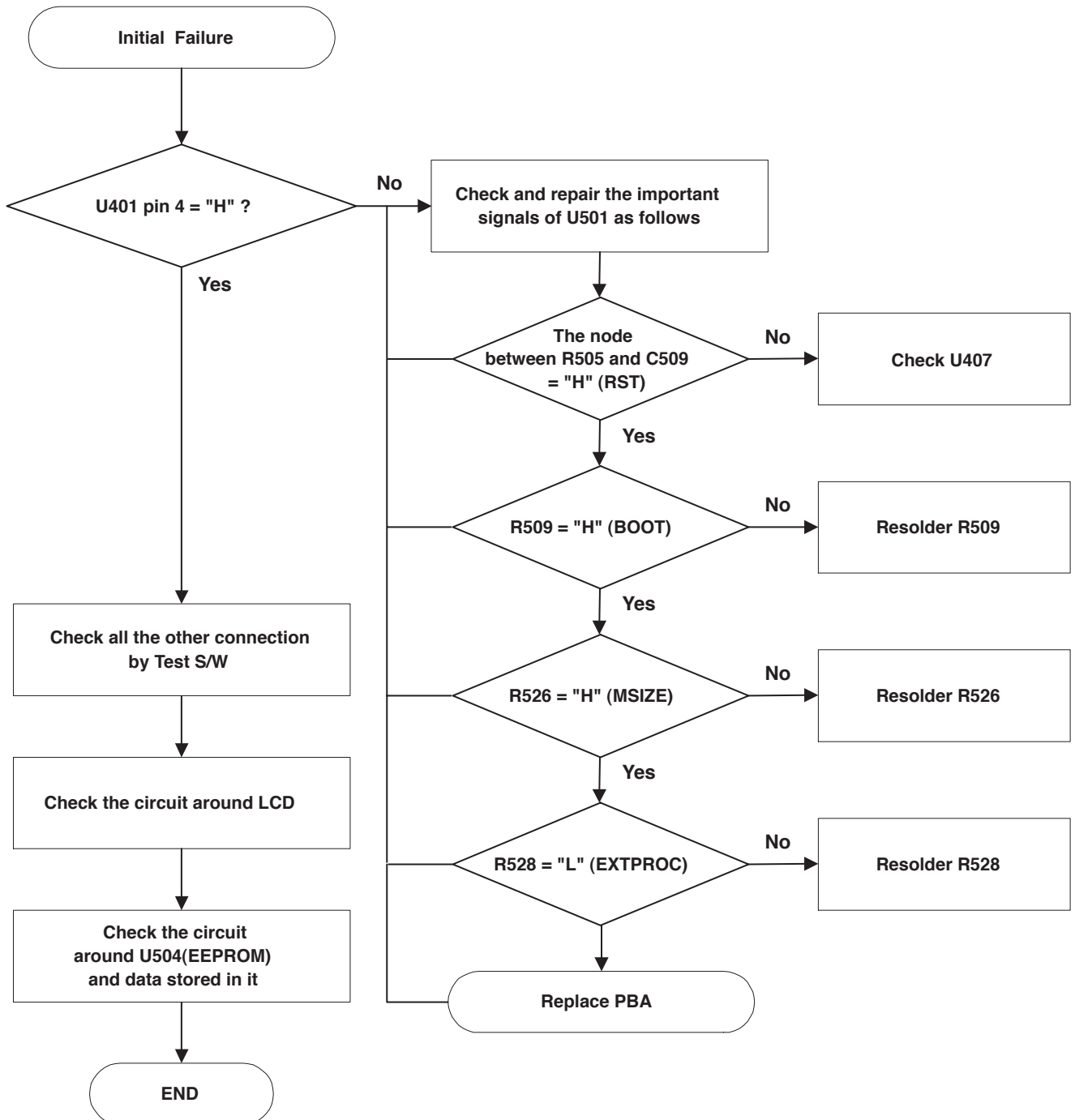
5. Flow chart of trouble shooting

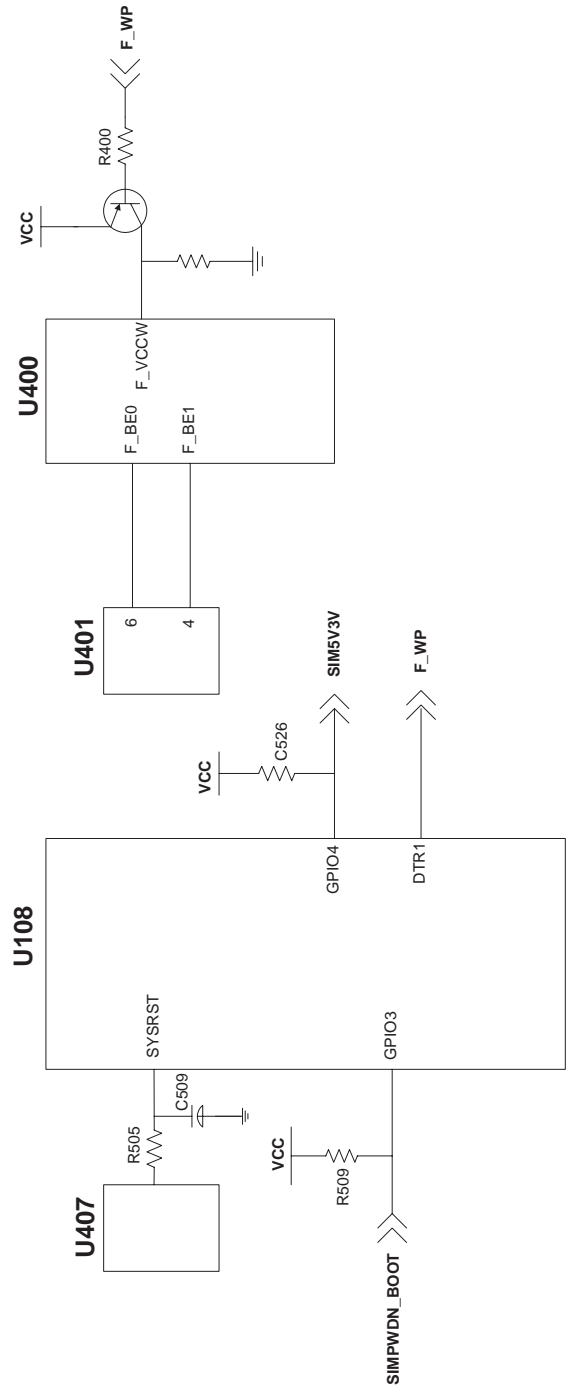
5-1 Power ON



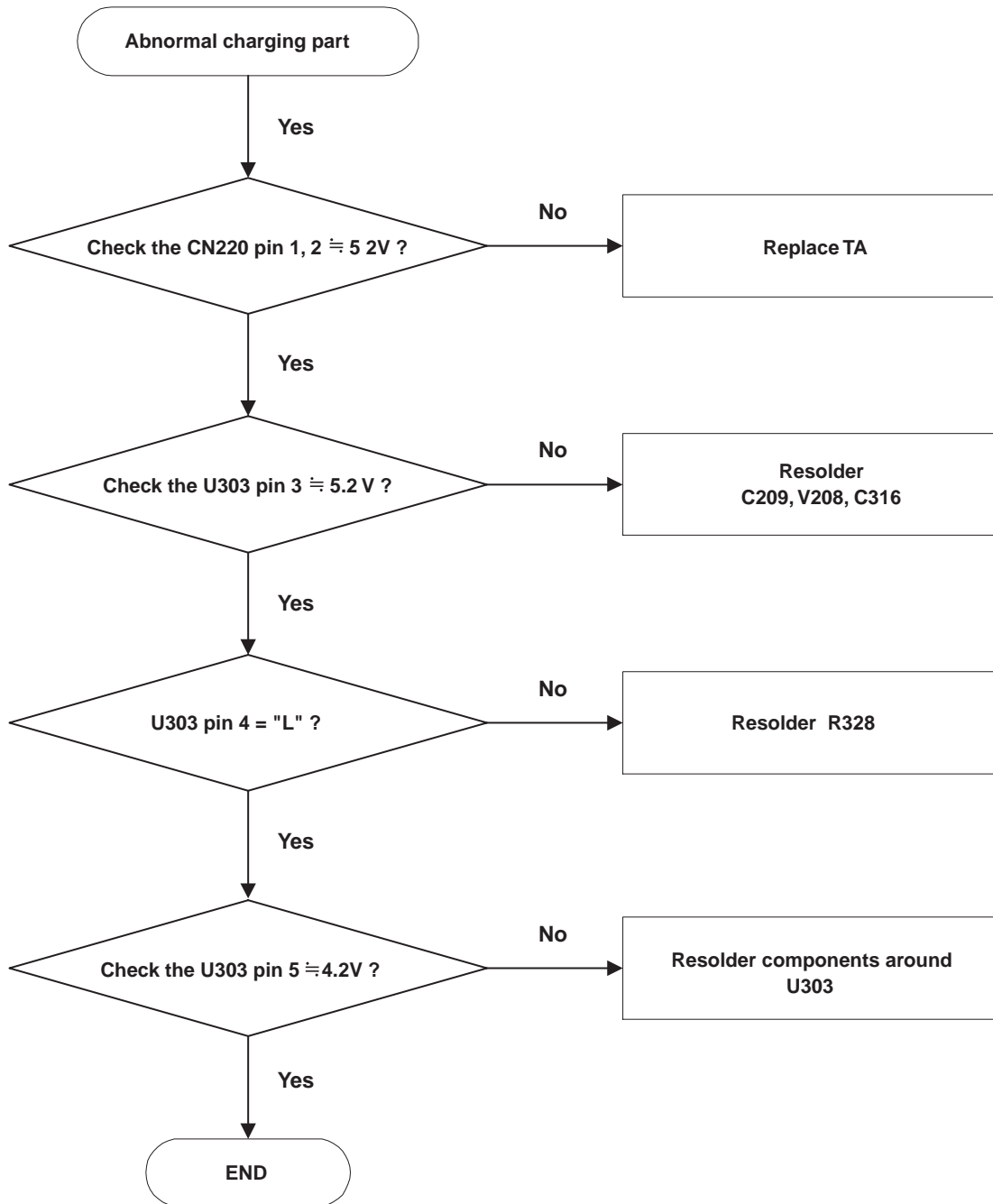


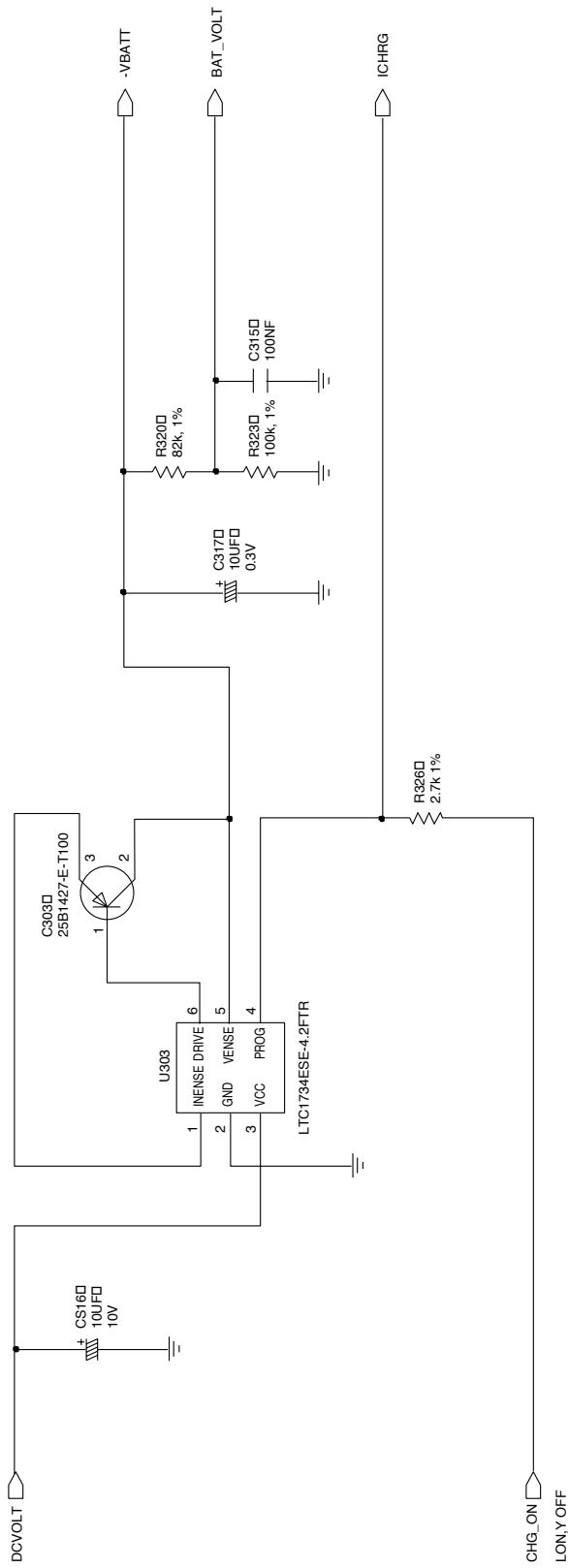
5-2 Initial



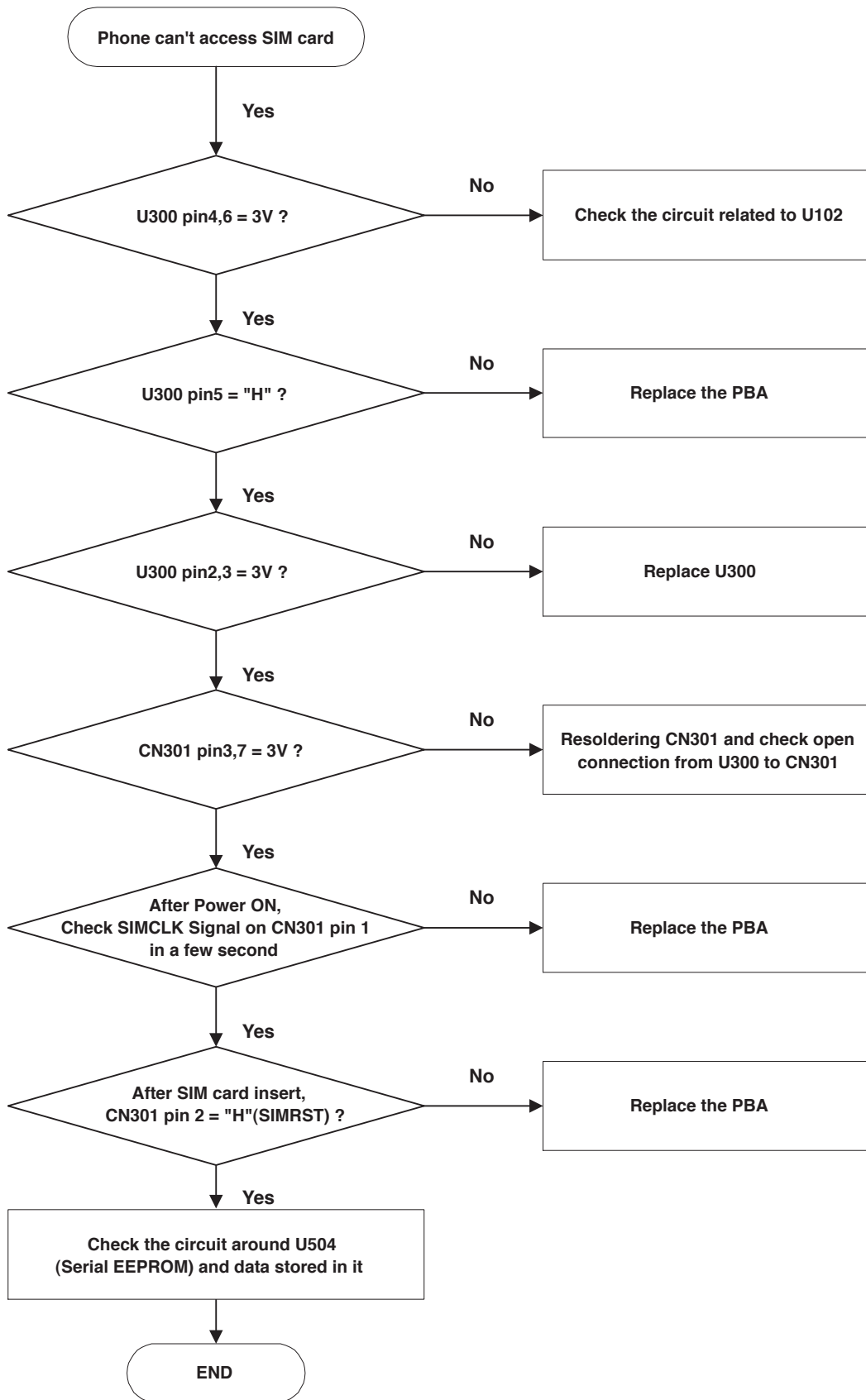


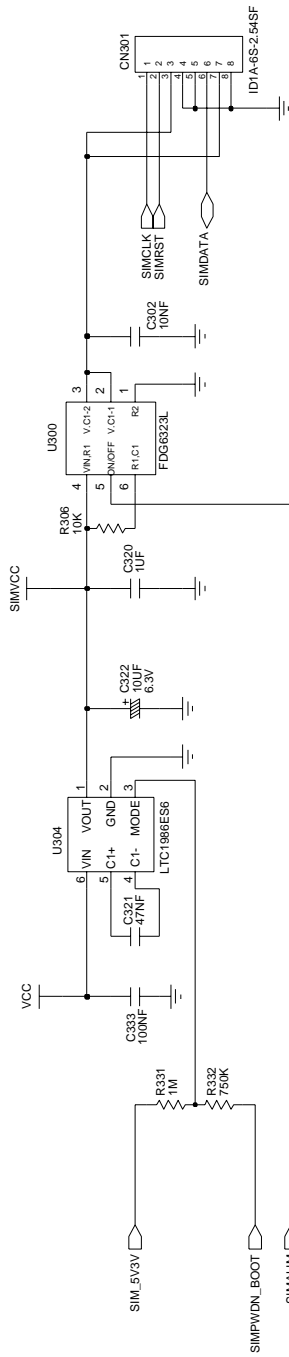
5-3 Charging Part



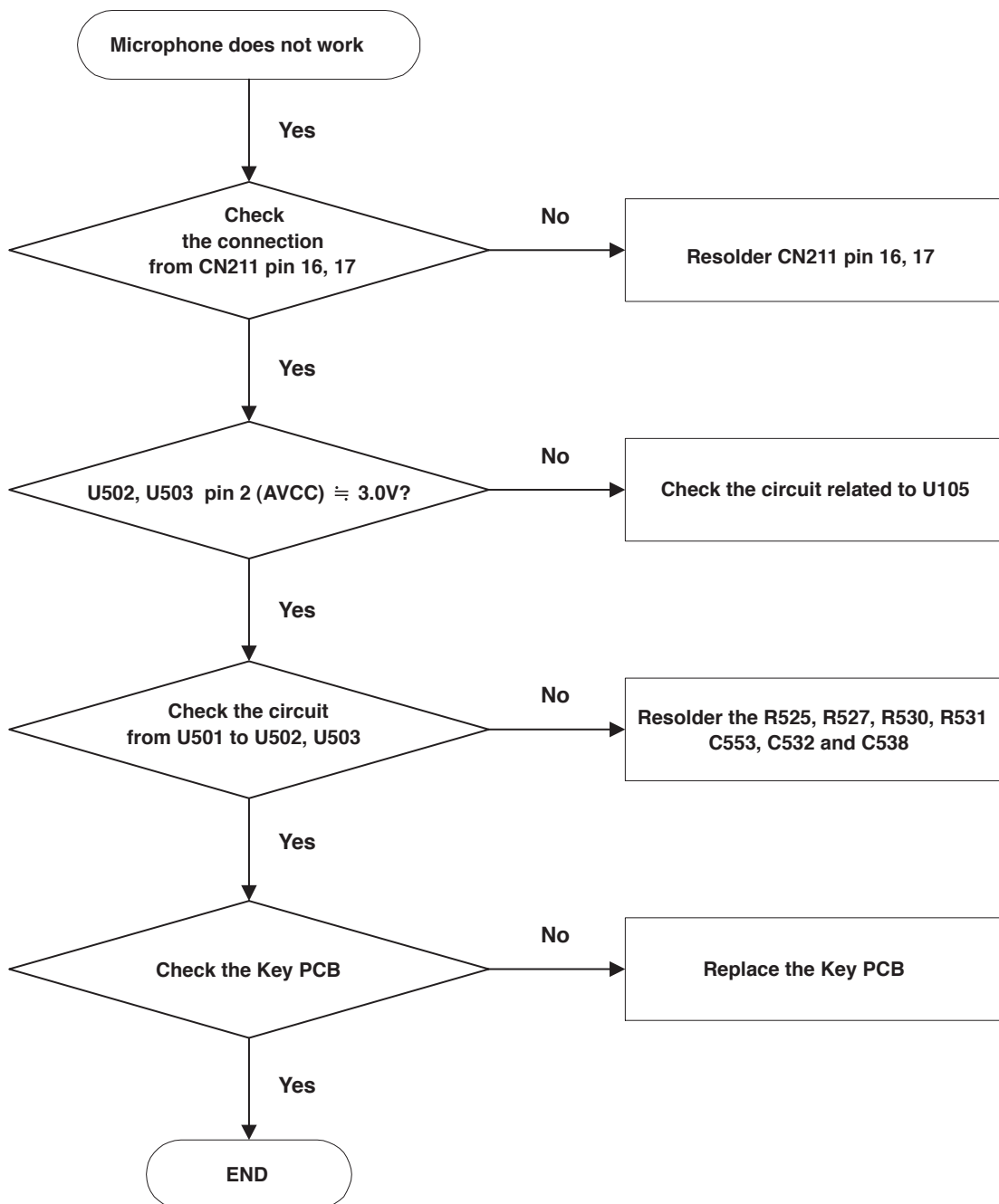


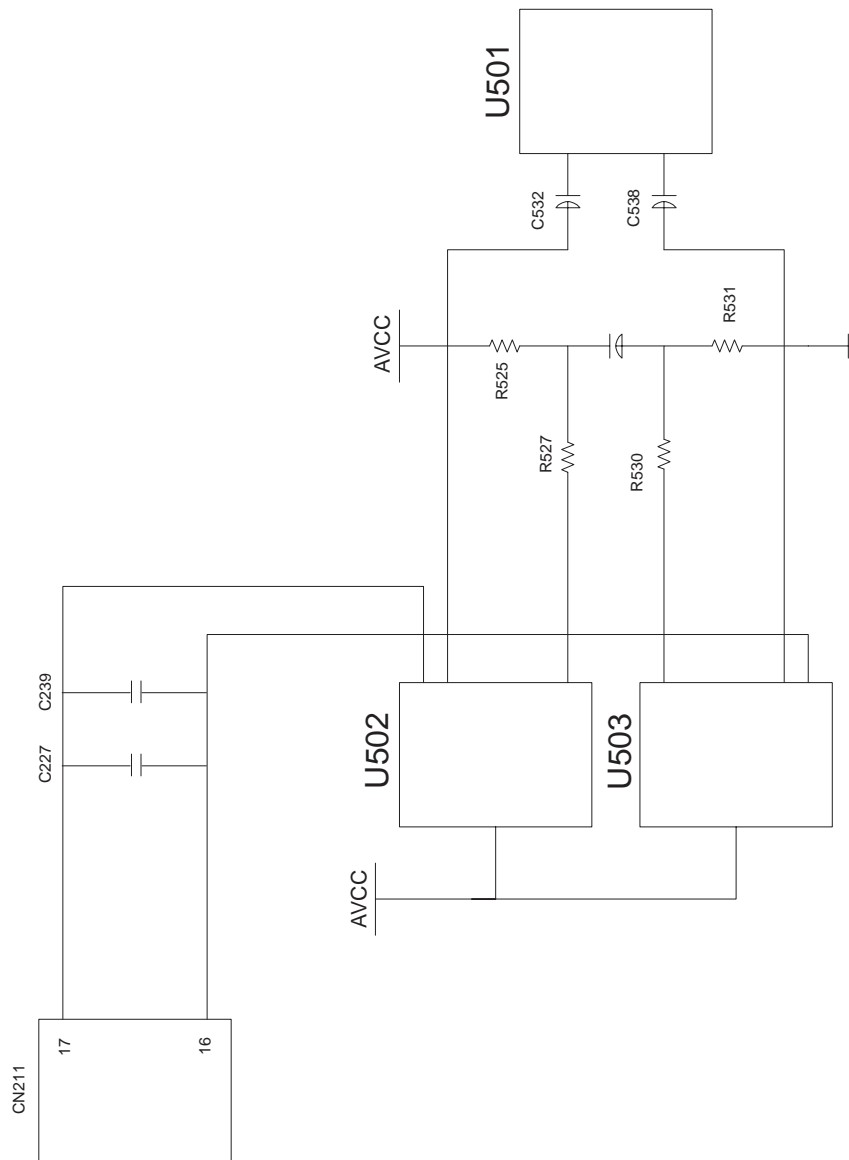
5-4 Sim Part



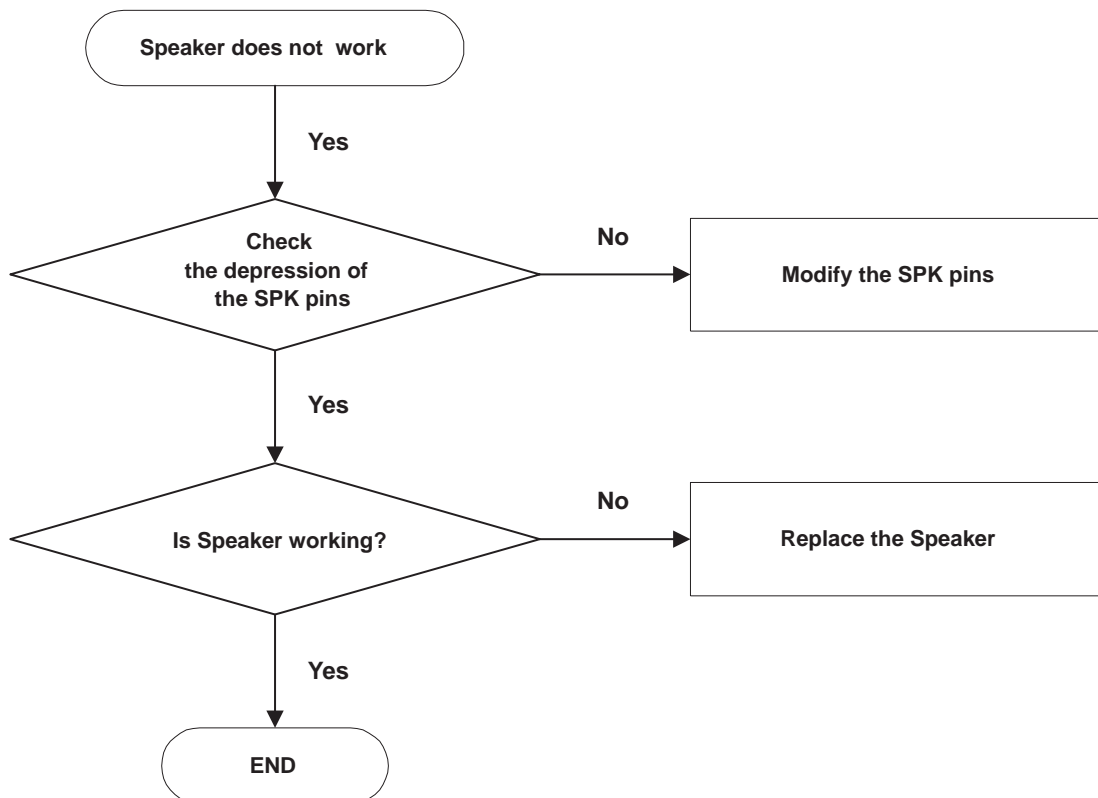


5-5 Microphone Part

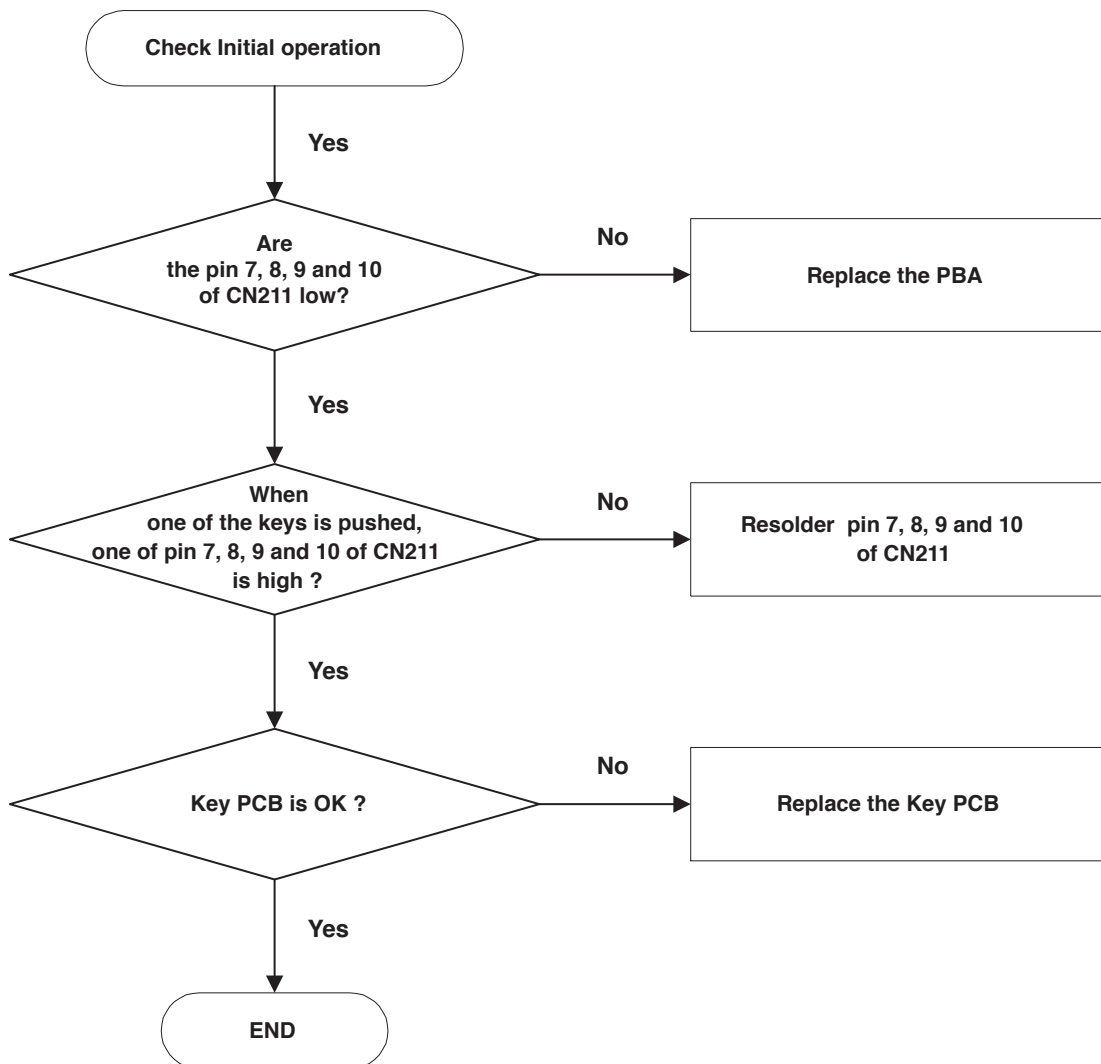




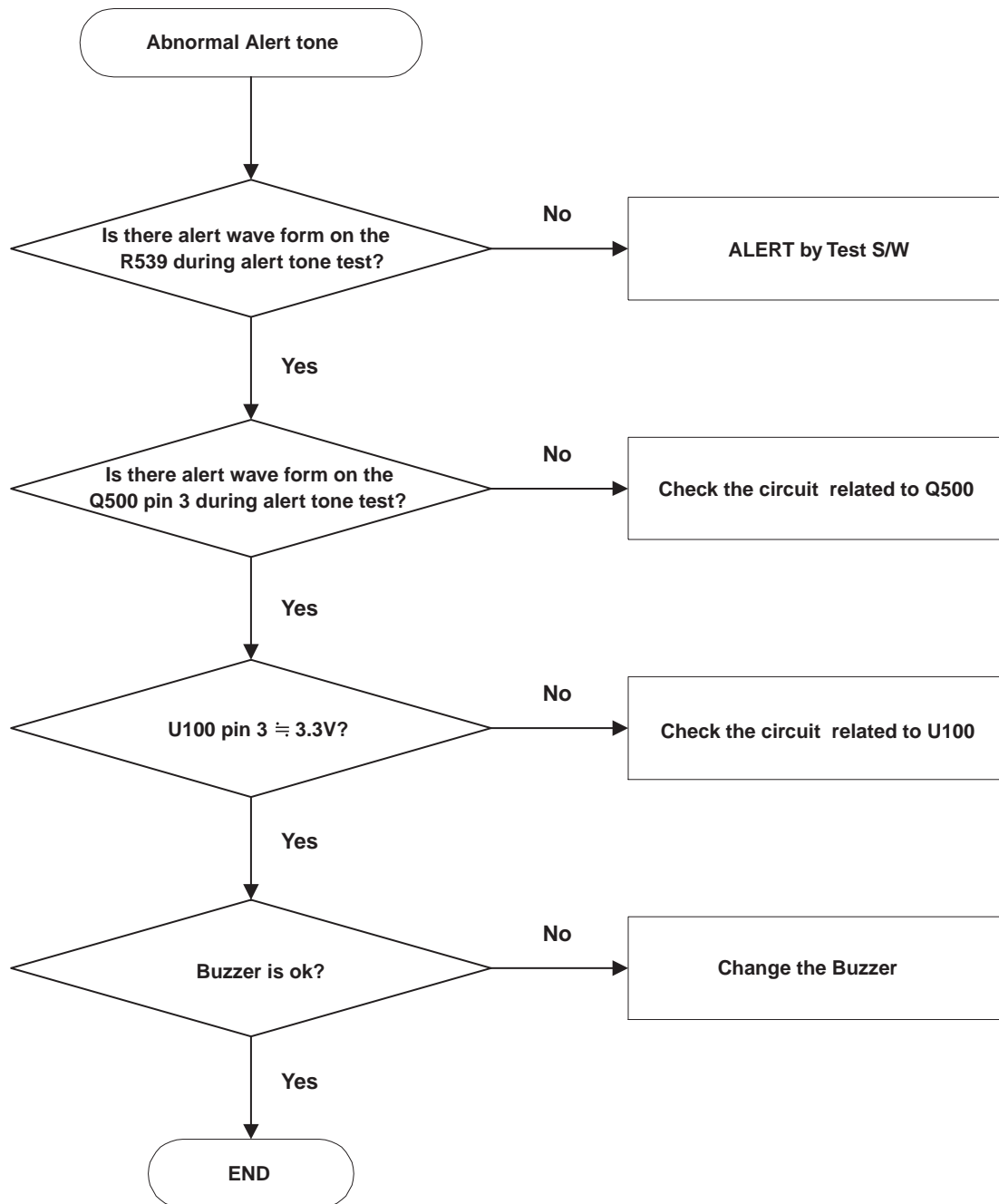
5-6 Speaker Part

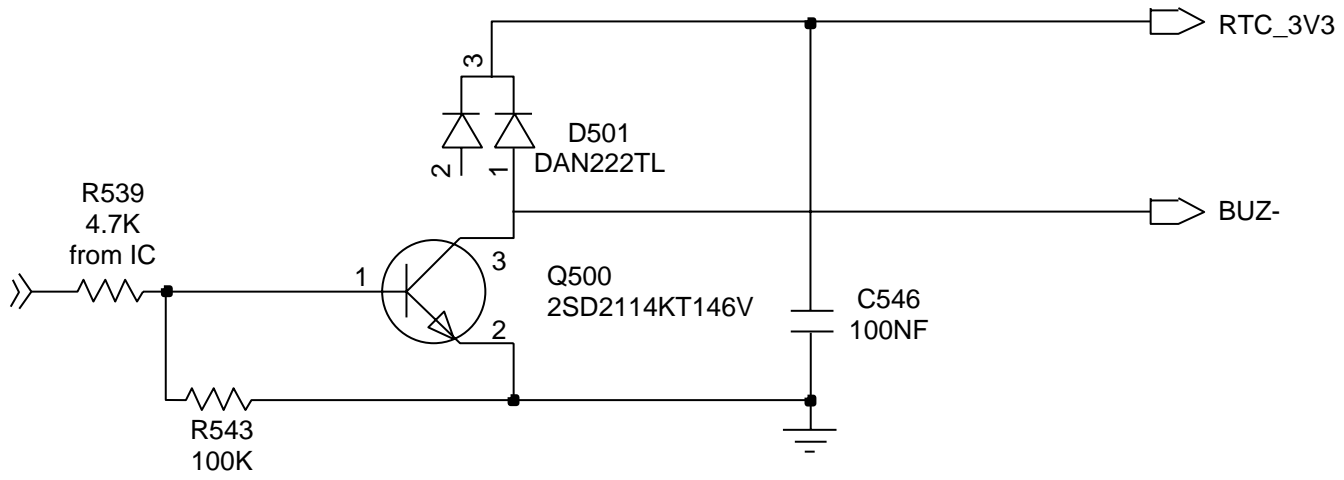


5-7 Key Data Input

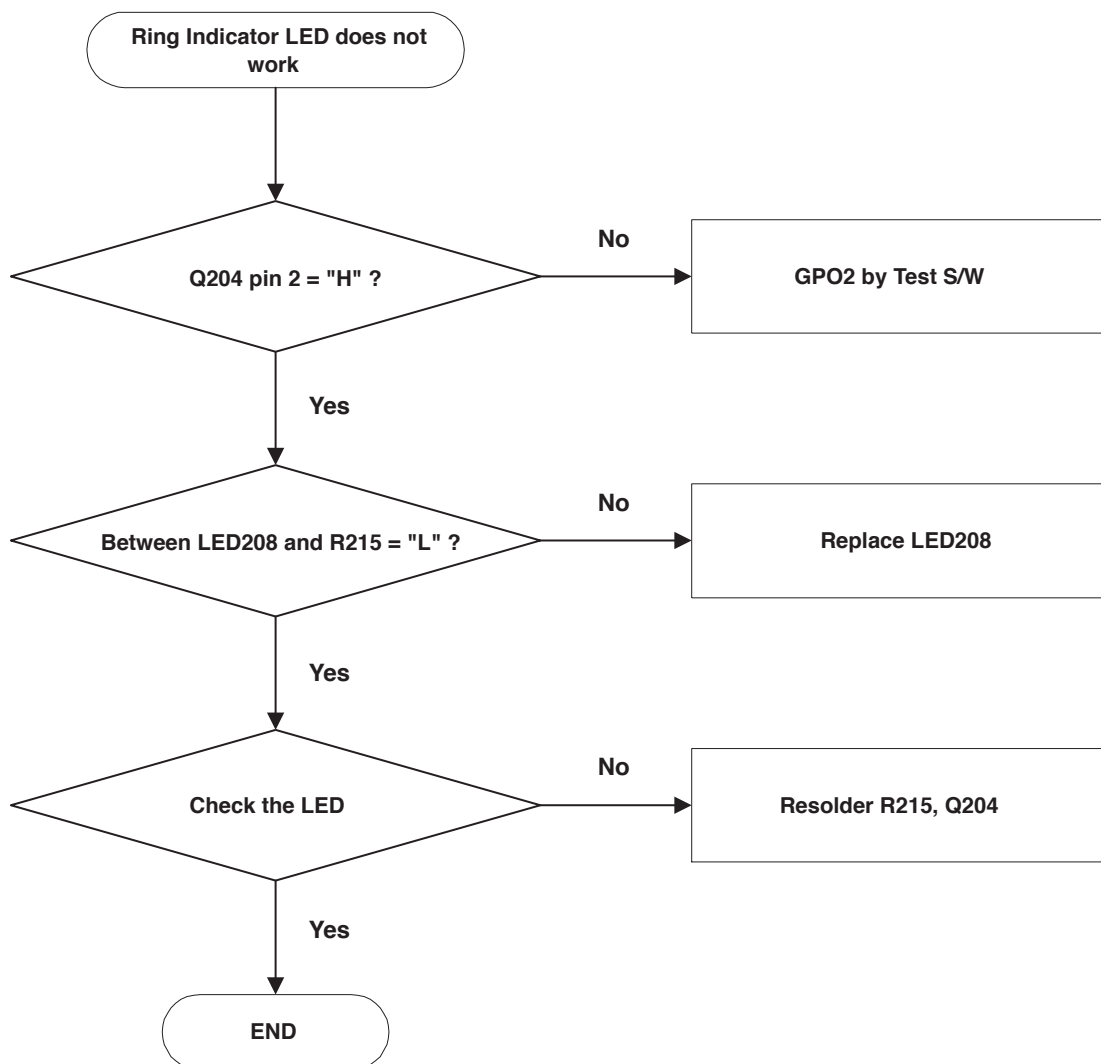


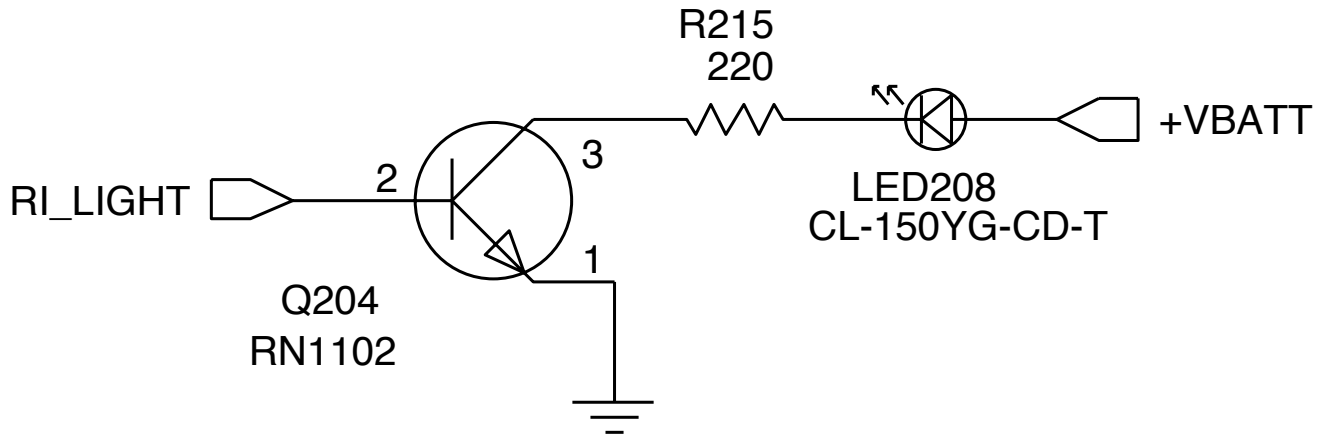
5-8 Alert tone



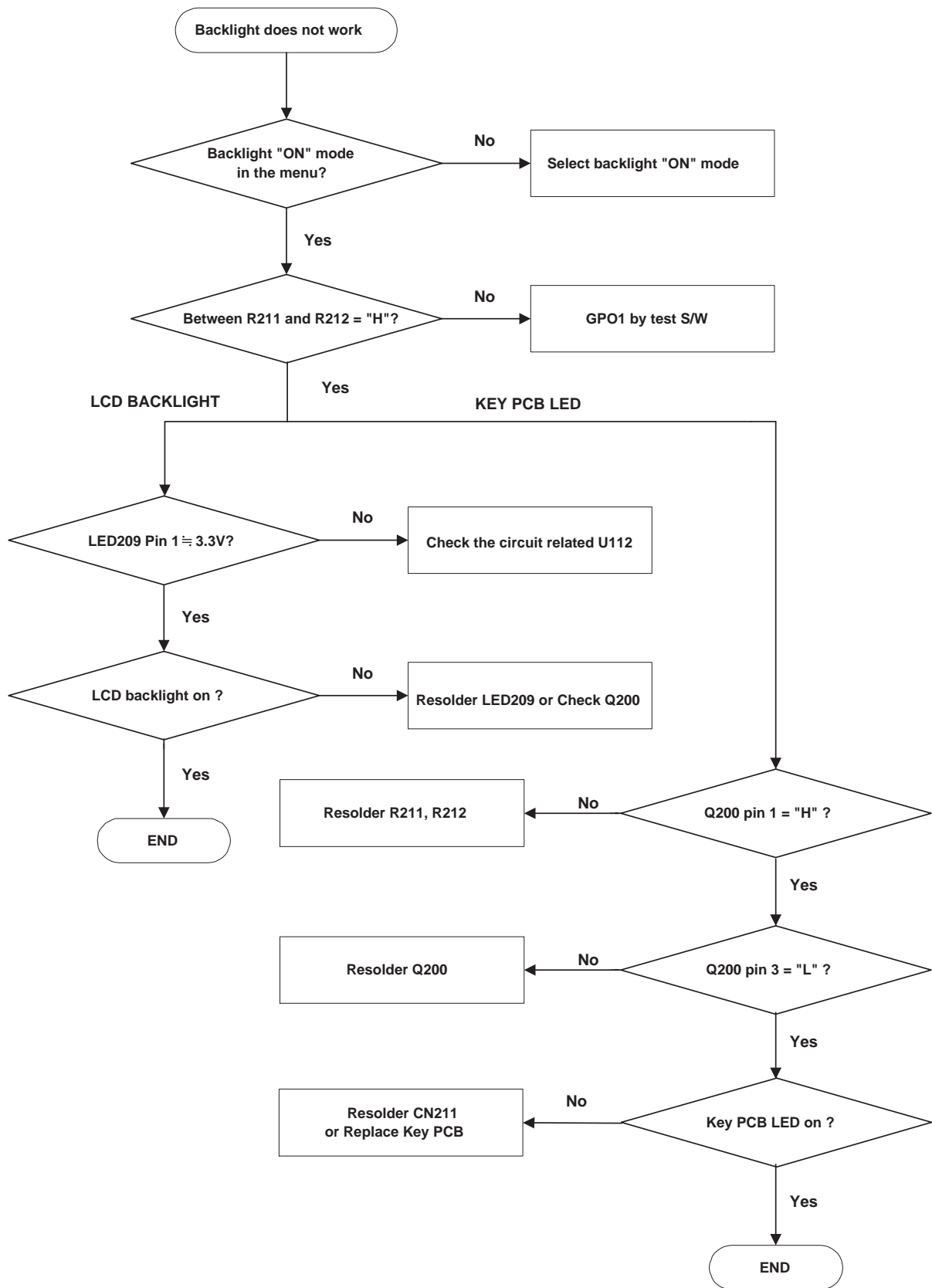


5-9 Ring Indicator

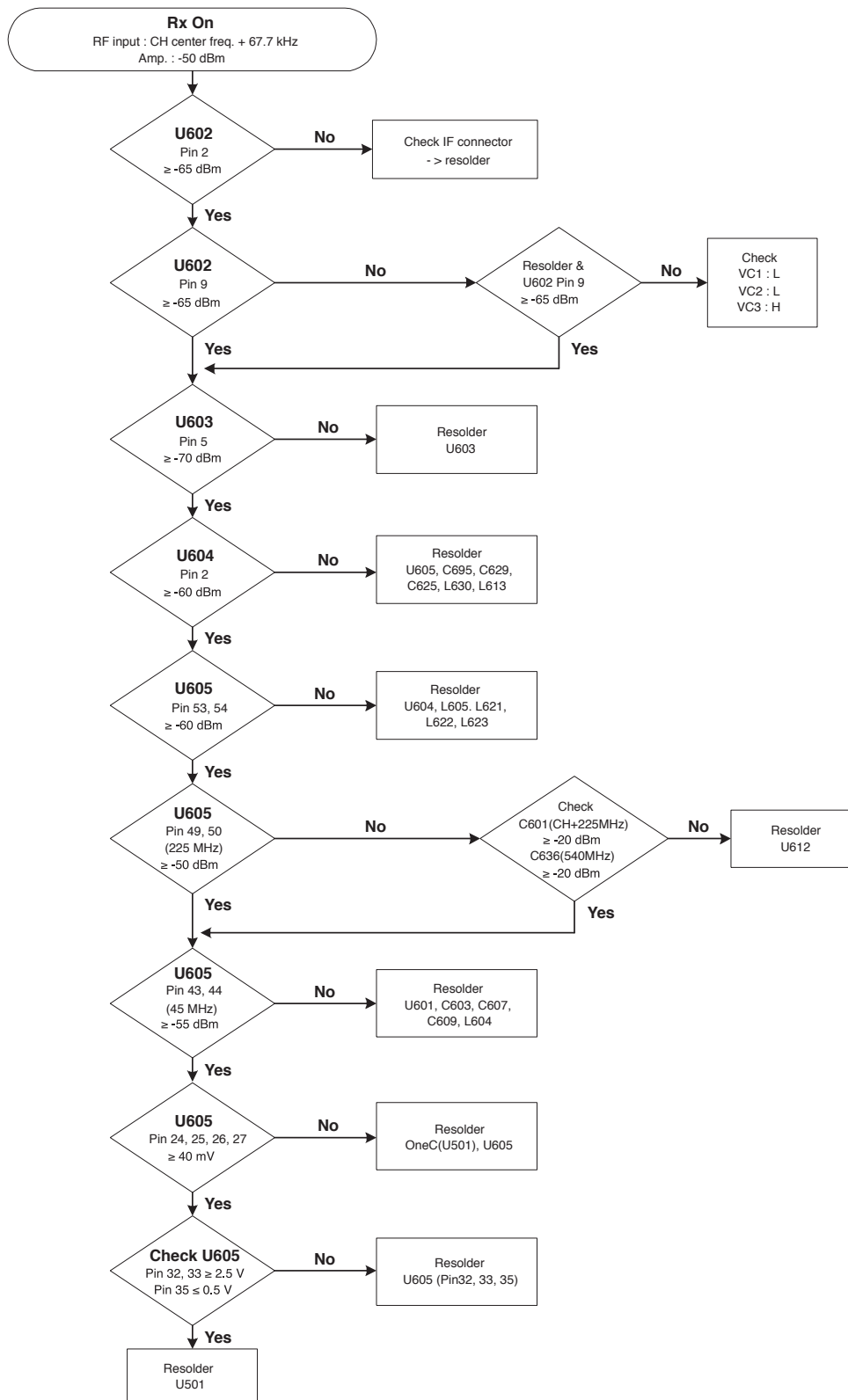




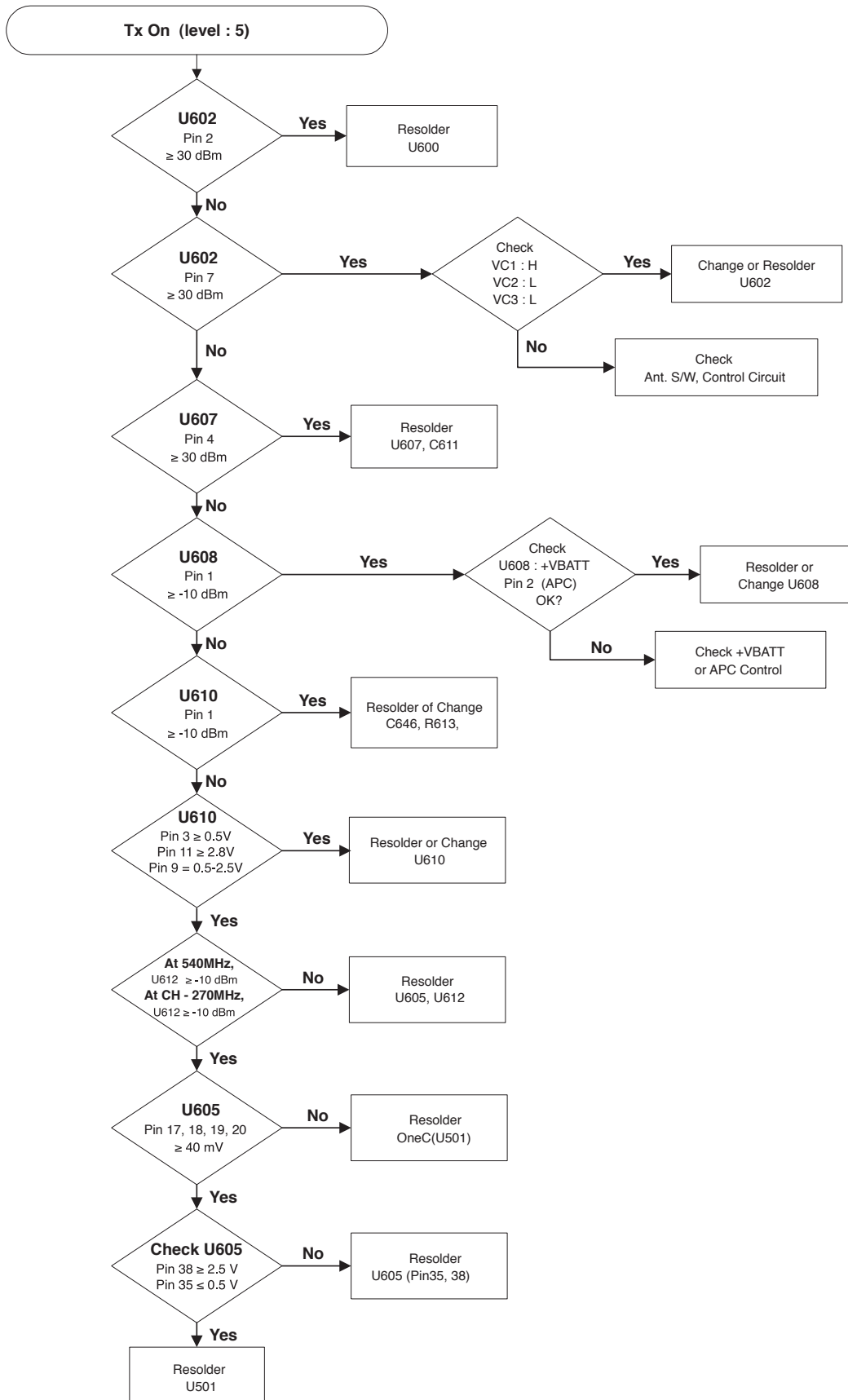
5-10 Back Light



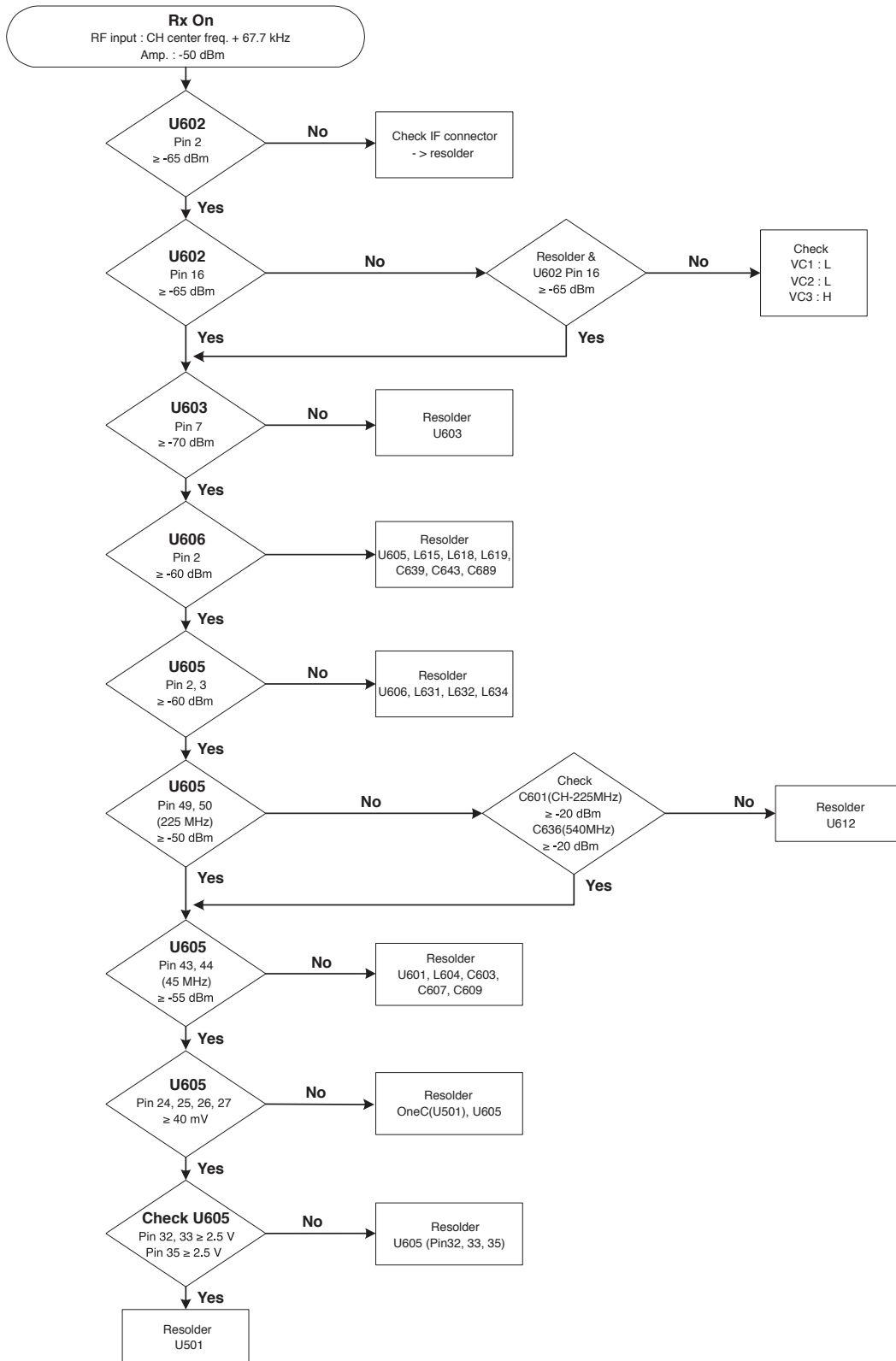
5-11 GSM Receiver



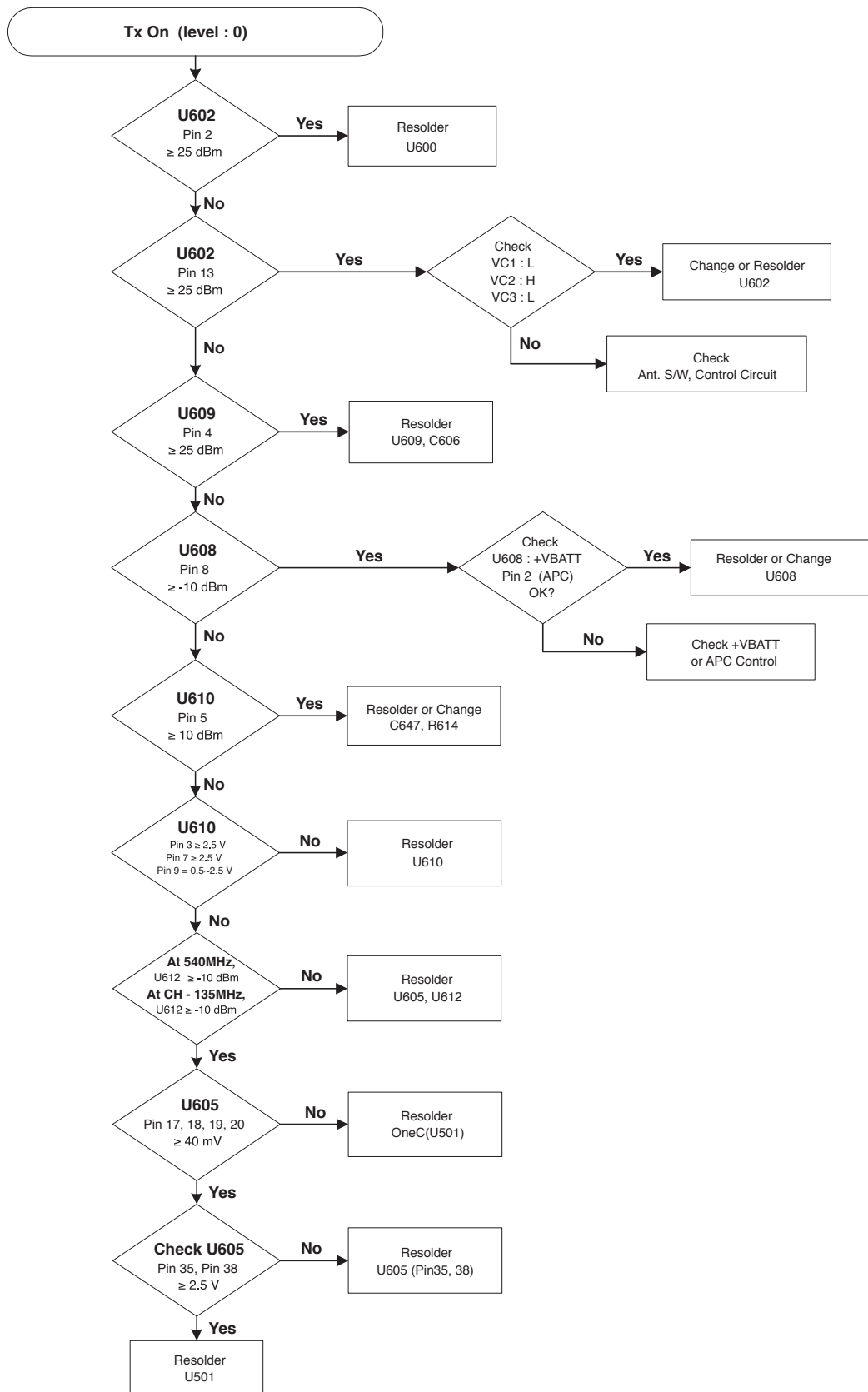
5-12 GSM Transmit

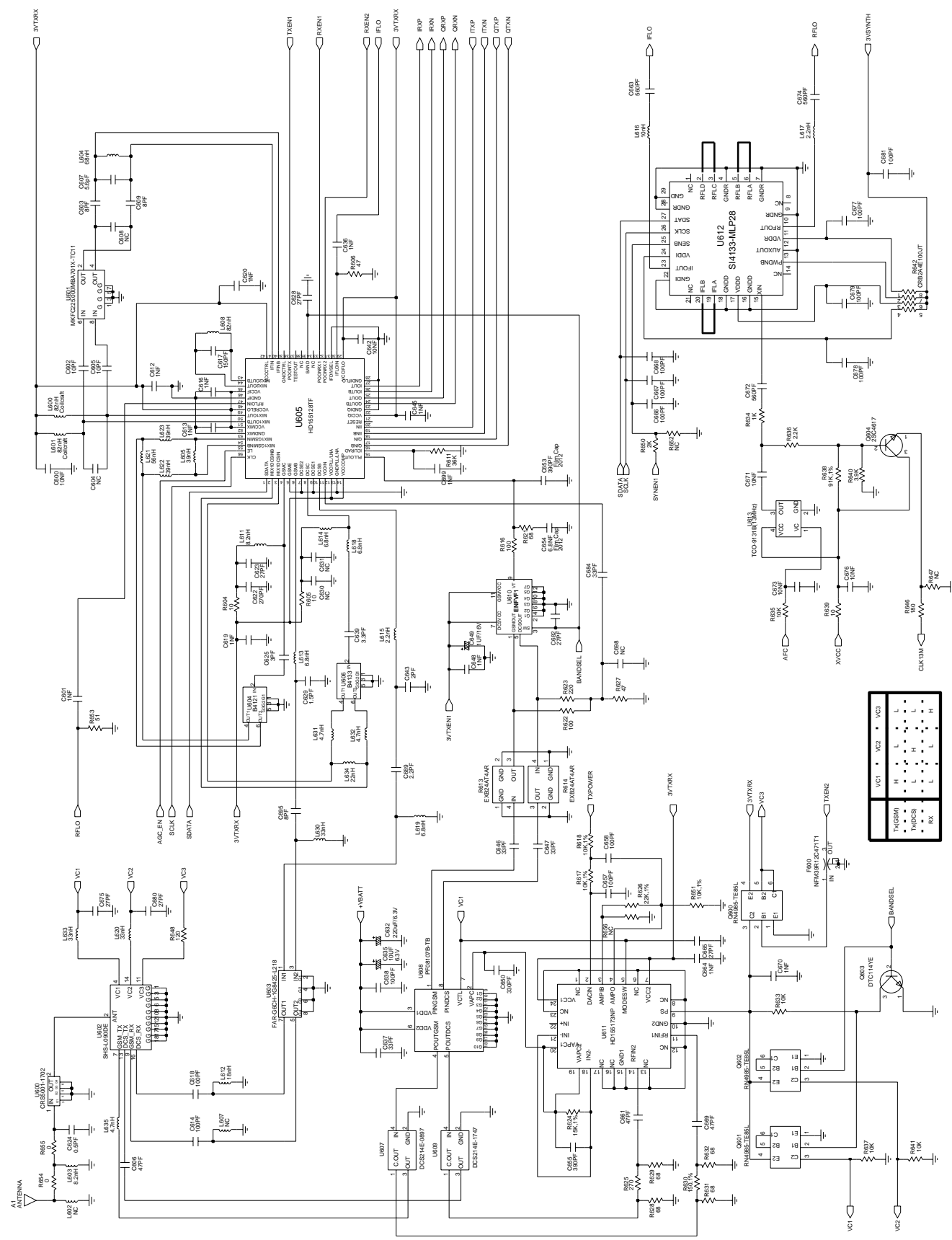


5-13 DCS Receiver



5-14 DCS Transmit





	V(C1)	V(C2)	V(C3)
TV(GSM)	H	H	L
V(DCS)	L	L	H
RX	L	L	H