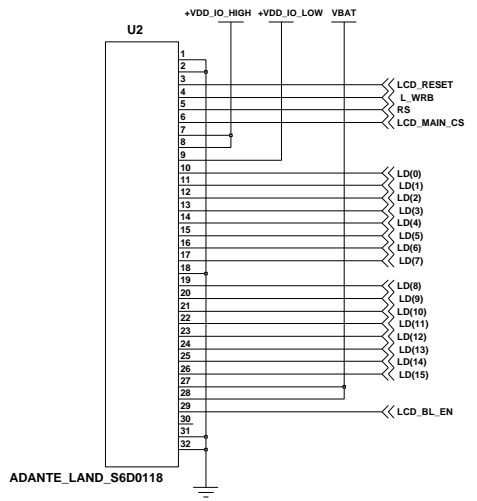
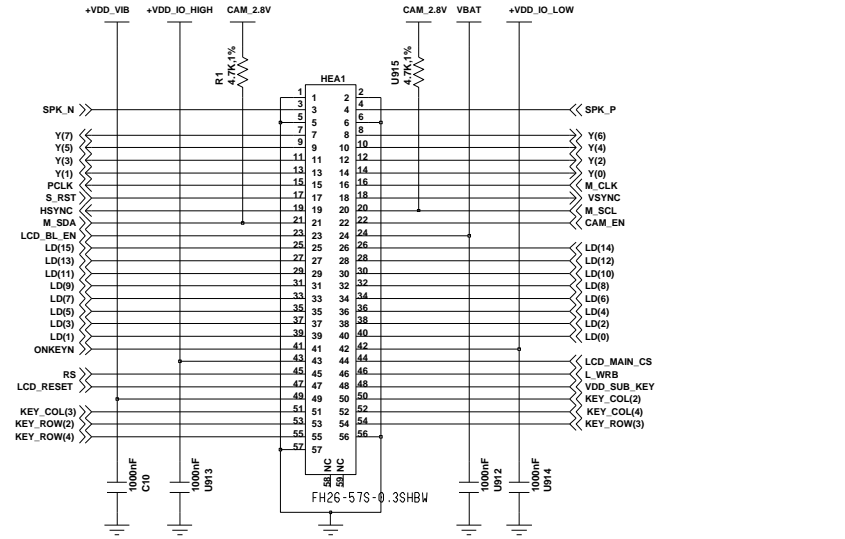
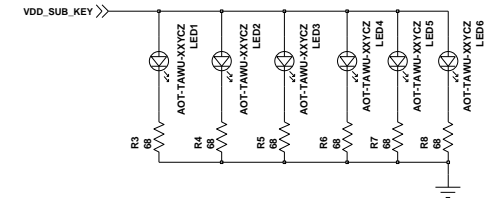
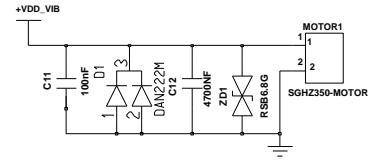
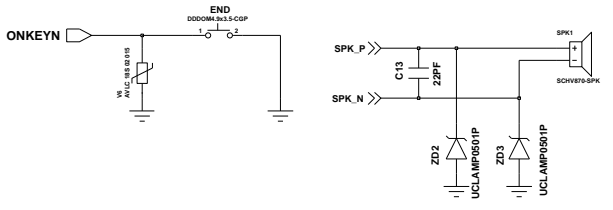
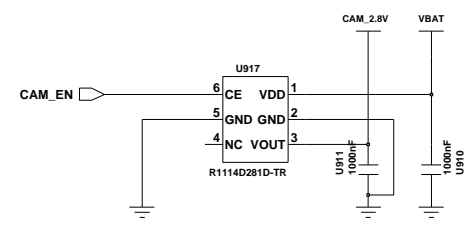
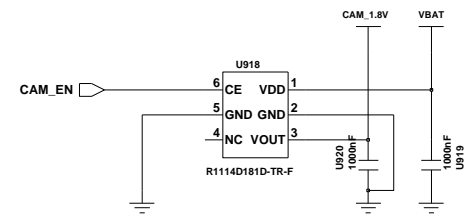
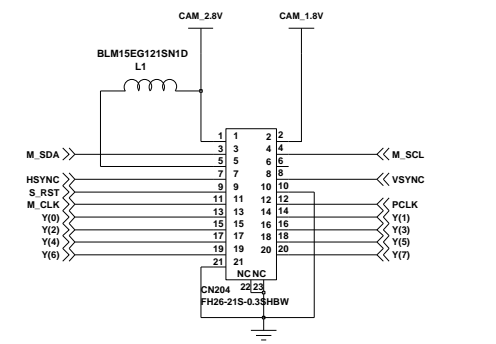


SUB J_TAG

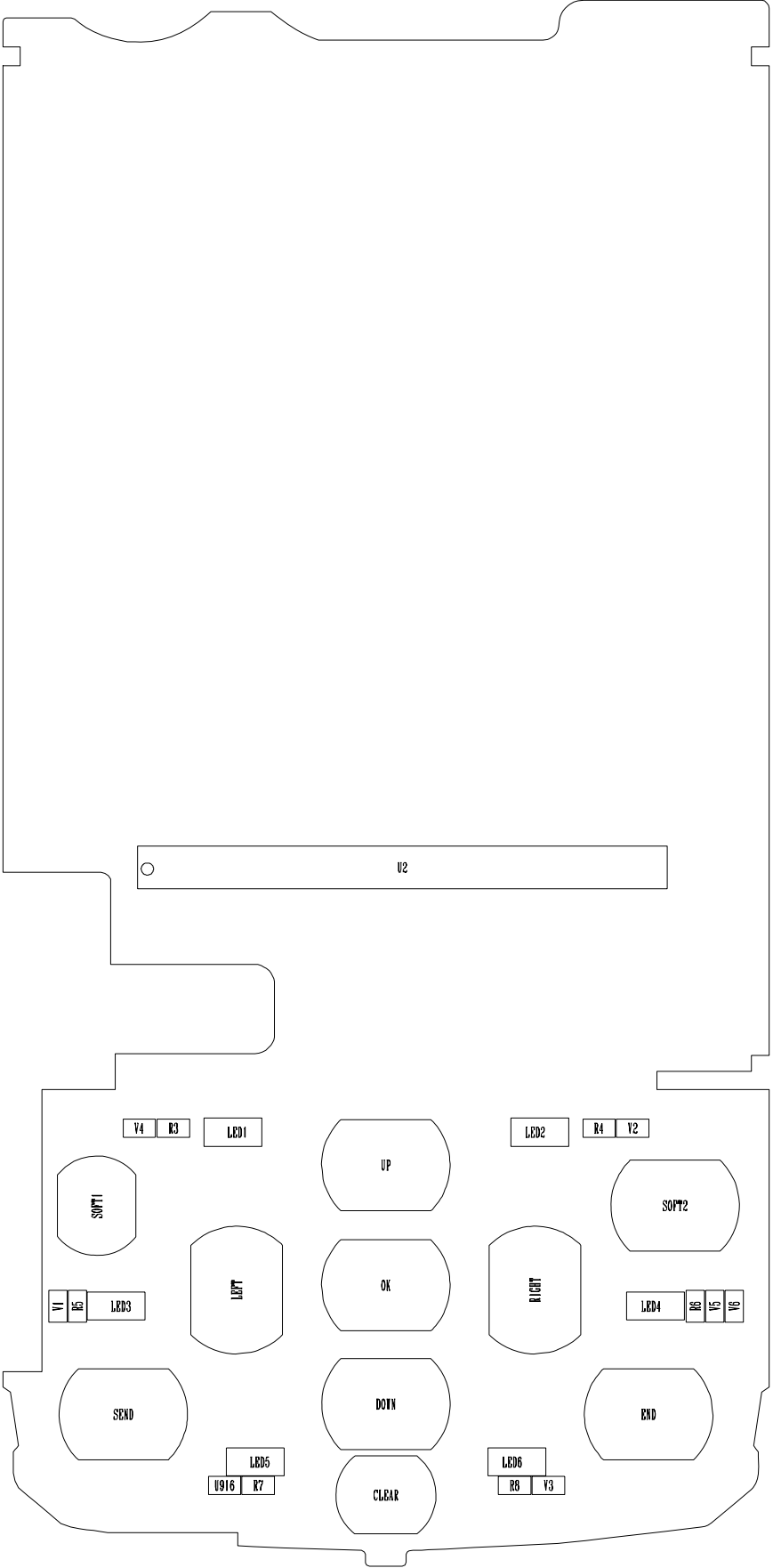


LCD_CONNECTOR



VGA_CAM_CON

Title		SGH-LIME_SUB_Rev1.2	
Document Number		SAMSUNG/SGH-LIME/B.B/ SUB	
Date:			



U2

V4 R3 LED1

LED2 R4 V2

SOFT1

UP

SOFT2

V1 R5 LED3

LEFT

OK

RIGHT

LED4 R6 V5 V6

SEND

DOWN

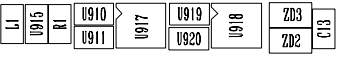
END

LED5 U916 R7

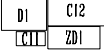
CLEAR

LED6 R8 V3

CK204



SPK1



MOTOR1

HEA1

