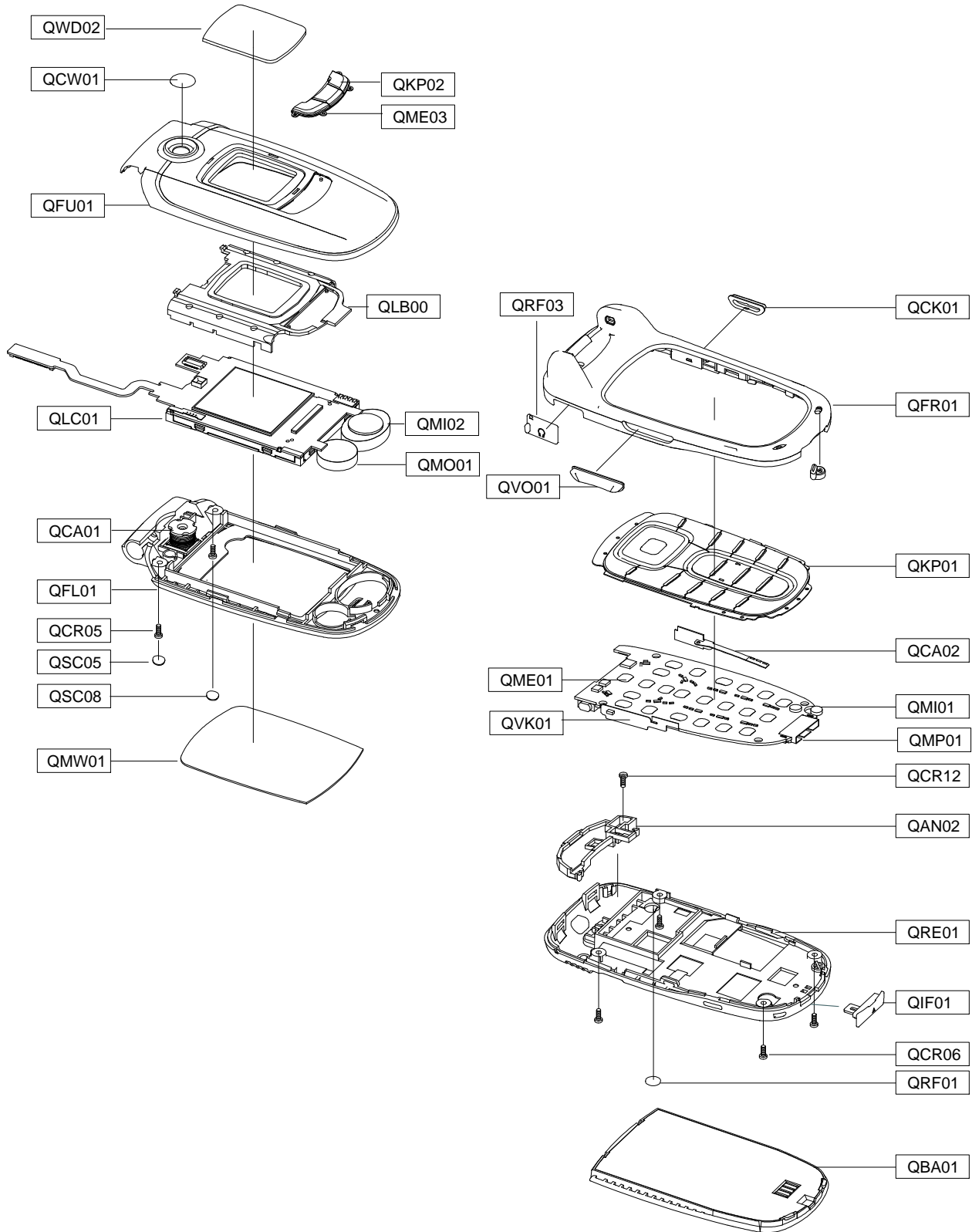


3. Exploded View and Parts List

3-1. Exploded View



3-2. Parts List

Location NO.		SEC CODE	Description
QAN02		GH42-00568A	ANTENNA-SGHE730;HIR-01503-0000AA,SGH
QBA01		GH43-01773A	BATTERY-800MAH,B/K,ENG,M;BST3578BE,S
QCA01		GH59-01977A	UNIT-CAMERA;SGH-E730,IC03037AA,-,XEF
QCA02		GH59-02072A	UNIT-CAMERA KEY;SGH-E730,H/K F.P.C A
QCR05		6001-001478	SCREW-MACHINE;PH,+,M1.4,L3,ZPC(BLK),
QCR06		6001-001155	SCREW-MACHINE;PH(PI2.5),+,M1.4,L3.5,
QCR12		6001-001530	SCREW-MACHINE;PH,+,M1.4,L2.5,ZPC(BLK
QCW01		GH72-19281A	PMO-CAMERA LENS;SGH-E730,ACRYL,TRP,P
QFL01		GH75-06733A	MEC-FOLDER LOWER;SGH-E730,XET,PC,-,-
QFR01		GH75-06729A	MEC-FRONT COVER;SGH-E730,XET,PC,-,-,
	QVO01	GH75-06236A	MEC-VOLUME KEY;SGH-E730,EU,PC,17.8X3
	QCK01	GH75-06237A	MEC-CAMERA KEY;SGH-E730,EU,PC,3.7X12
QFU01		GH75-06732A	MEC-FOLDER UPPER;SGH-E730,XET,PC,-,-
QIF01		GH72-19296A	PMO-IF COVER;SGH-E730,PC+ELASTOMER,N
QKP01		GH75-06730A	MEC-KEYPAD(XET/BLK);SGH-E730,XET,PC,
QKP02		GH75-06731A	MEC-KEY FOLD;SGH-E730,XET,PC,-,-,-,S
QLB00		GH75-06737A	MEC-LCD BRACKET;SGH-E730,XET,PC,-,-,
QLC01		GH07-00697A	LCD-SGHE730 MODEL;UF-17E077-A,SGH-E7
QME01		GH59-02069A	UNIT-METAL DOME;SGH-E730,METAL DOME,
QME03		GH59-02071A	UNIT-MP3 KEY;SGH-E730,SGH-E730 MP3/K
QMI01		GH30-00188A	MICROPHONE-ASSY-SGHE730;2,130~500uA,
QMI02		3001-001750	MICRO SPEAKER;0.7W,8ohm,86dB± 2dB,80
QMO01		GH31-00154D	MOTOR DC-SGHZ130;DMJBRK20C,SGH-Z130,
QMP01		GH92-02149A	PBA MAIN-SGHE730;SGH-E730,XET,EU,PBA
QMW01		GH75-06238A	MEC-MAIN WINDOW;SGH-E730,EU,PC,-,-,-
QRE01		GH75-06734A	MEC-REAR COVER;SGH-E730,XET,PC,-,-,-
QRF01		GH74-14614A	MPR-SHEET RF;SGH-E730,PC SHEET,PI6.5
QRF03		GH72-19271A	PMO-EAR COVER;SGH-E730,PC,BLK,10.6X6
QSC05		GH73-04080A	RMO-RUBBER SCREW CAP(L);SGH-E730,SI
QSC08		GH73-04081A	RMO-RUBBER SCREW CAP(R);SGH-E730,SI
QVK01		GH59-02070A	UNIT-VOLUME KEY;SGH-E730,SGH-E730 V/
QWD02		GH72-19283A	PMO-SUB LCD WINDOW;SGH-E730,ACRYL,BL

SEC CODE	Description
6902-000634	BAG PE; LDPE, T0.05, W80, L180, TRP, -, -
GH44-00954A	ADAPTOR-SGHD500 BLK; TAD137EBE, SGH-D5
GH59-02166A	UNIT-EARPHONE; SGH-C230, EM-SS550E-STB
GH68-02026A	LABEL(P)-WATER SOAK; SCH-X110, NORGE, 1
GH68-06835A	LABEL(R)-MAIN(EU); SGH-E730, EU, POLYES
GH68-06897A	MANUAL-USE; SGH-E730, XEF, FRENCH, FRAN,
GH68-07013A	MANUAL-WEEE CARD; SGH-E720, SEC, ENGLIS
GH69-02842J	BOX(P)-SGHE730(IKF_EU); SGH-E730, SC30
GH69-02845A	CUSHION-CASE(1-2); SGH-E730, PULP, T0.8
GH74-05962A	MPR-FRONT FILTER; SGH-E700, BUZICPO, 16
GH74-05963A	MPR-BOHO FOLDER LOWER; SGH-E700, 3M 41
GH74-14607A	MPR-BOHO VINYL F/UPPER; SGH-E730, 3M 4
GH74-14608A	MPR-BOHO VINYL F/LOWER; SGH-E730, 3M 4
GH74-14609A	MPR-BOHO VINYL REAR; SGH-E730, 3M 4187
GH74-15238A	MPR-SPONGE MOTOR; SGH-E730, PORON, PI10
GH74-15350A	MPR-BOHO VINYL LCD CONN; SGH-E730, #95
GH74-15507A	MPR-TAPE PCB ESD 1; SGH-E730, CONDUCTI
GH74-15508A	MPR-TAPE PCB ESD 2; SGH-E730, CONDUCTI
GH74-15509A	MPR-TAPE PCB INSUALTION; SGH-E730, 3M
GH74-15513A	MPR-SPONGE PCB ESD; SGH-E730, CONDUCTI
GH74-15582A	MPR-BOHO VINYL SUB WIN; SGH-E730, PVC,
GH74-15635A	MPR-TAPE LCD ESD 1; SGH-E730, 3M EAD16
GH74-15641A	MPR-TAPE LCD ESD 3; SGH-E730, 3M 1352B
GH75-03207E	MEC-HAND STRAP; SGH-C100, SEC, -, -, BLK(

3-3. Test Jig (GH80-03306A)



3-3-1. USB JIG Cable



3-3-2. RF Test Cable
(GH39-00283A)



3-3-3. Test Cable
(GH39-00337A)



3-3-4. Serial Cable
(CSA LL64151-A)



3-3-5. Power Supply Cable



3-3-6. DATA CABLE
(GH39-00331A]



3-3-7. TA
(GH44-00482A)

